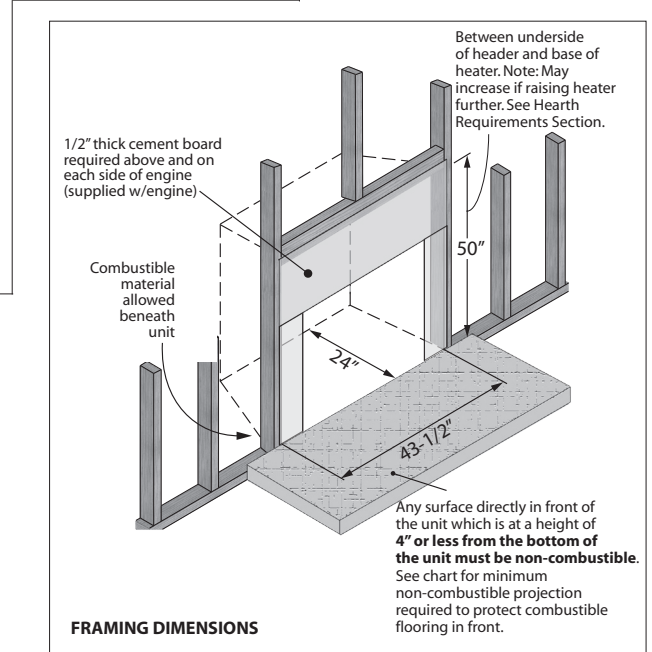
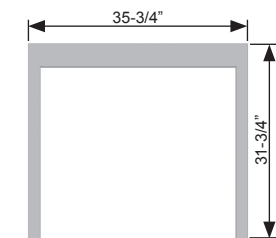


**Framing**

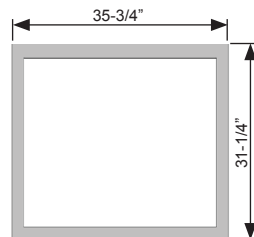
When using certain optional accessory mantels and trims, the heater **must** be installed **flush with the surface of the finished** hearth or floor and the wall finish surrounding the unit **must be limited to the 1/2" cement board with 1/2" material abutting to it** (no additional material on top).



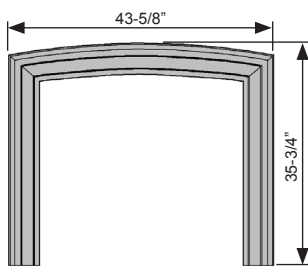
**Optional Trims Outer Dimensions**



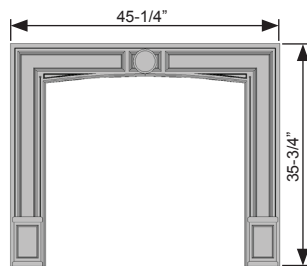
Backing Plates (Flush to Hearth)  
1240BPK—3-sided Plate, no door  
1215FDV—FenderFire Double Doors  
1220FSV—FenderFire Single Door  
1240DKA—Alhambra Doors



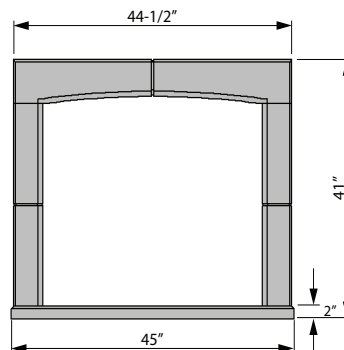
Backing Plate (4-Sided)  
1241FBK—4-sided Plate, no door



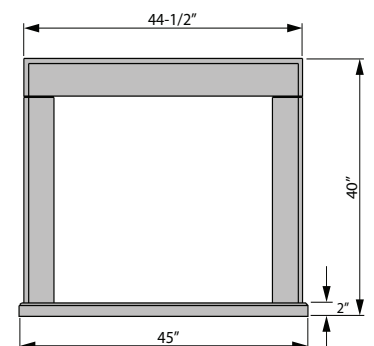
**614CVI—Arched Cast Iron Surround**  
(requires a 3-sided Backing Plate)



**615CVI—Cast Iron Surround**  
(requires a 3-sided Backing Plate)

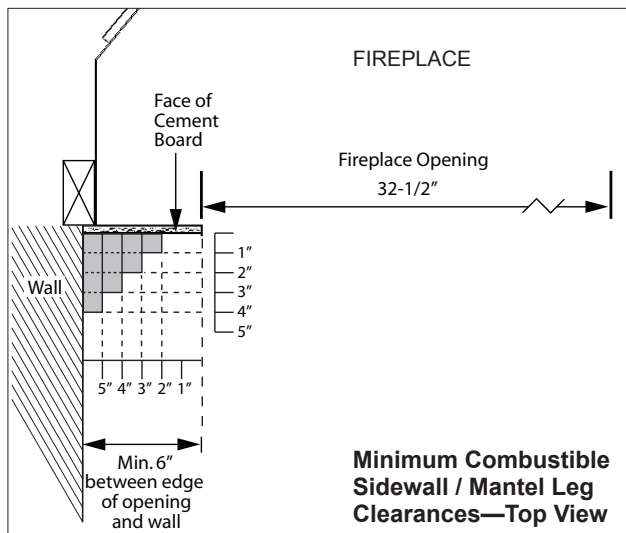
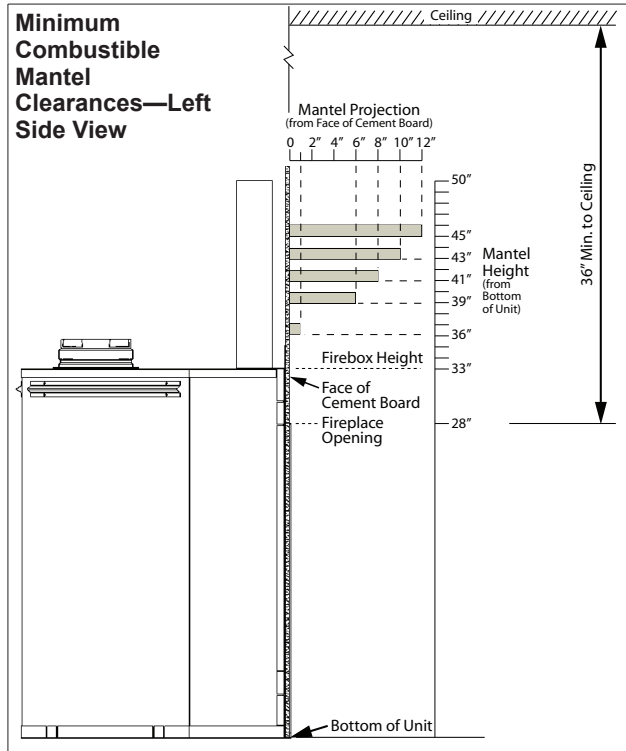


**616STK—Arched Stone Trim**  
(requires a 3-sided Backing Plate)



**617STK—Stone Trim**  
(requires a 3-sided Backing Plate)

## Mantel Clearances



## Hearth Requirements

