

valor
THE ORIGINAL
RADIANT GAS FIREPLACE™
www.valorfireplaces.com

Ventana Series



Ventana Fireplace with 1240BPK 3-Sided Backing Plate & 1260BSL Black Slab Liner

Grand Presence Excellent Performance

In an industry saturated with 'large-format' fireplaces that in fact provide very little, inefficient heat, we welcome a breath of fresh air. Engineered to distribute effective, radiant warmth, the Valor Ventana combines distinct hearth designs with the latest in radiant heat technology.

The perfect blend of radiant and convective heat provides efficient, steady warmth for the largest of spaces. An impressive 60% turndown helps match the fire's intensity to your home comfort needs.

Spectacular flames accompany clean, simple design elements that await your interior design inspirations.

Included on all Ventana units, adjustable firebox lighting enhances room ambiance even when the fire is off. Recessed glass reduces reflection and eliminates the "aquarium effect" that you get with other gas fireplaces.

Smaller venting and tapered sides allow for installation in tight corners and limited spaces.

An optional remote blower kit system (1270RBK) is specially designed to redistribute heat generated by the Ventana to other rooms in the home. This allows you to heat up to three separate living spaces, all from one fireplace!

A fireplace that mirrors presence with performance, we introduce the Ventana.



Ventana Fireplace with 1241FBK 4-Sided
Backing Plate & 1255IBL Inca Slab Liner



623STV Square Trim Kit Vintage, 1240BPK 3-Sided Backing Plate, 1225VFB Ventana Fret (black) & 1245VRL Victorian Red Liner



1241FBK 4-Sided Backing Plate & 1280LSL Ledgestone Liner



615CVI Cast Surround in Vintage Iron, 1240BPK 3-Sided Backing Plate & 1250FSL Frontera Stone Liner



Surround Finishes

Ventana Fireplace with 1240BPK 3-Sided Backing Plate & 1255IBL Inca Slab Liner



623STZ Square Trim Kit Bronze, 1240BPK 3-Sided Backing Plate & 1255IBL Inca Slab Liner



1215FDV FenderFire Double Door Front & 1250FSL Frontera Stone Liner



1220FSV FenderFire Single Door Front, 614CVI Arched Cast Surround & 1245VRL Victorian Red Liner



Ventana Fireplace with 1240BPK 3-Sided Backing Plate,
1250FSL Frontera Stone Liner & Fires of Tradition Corvallis Mantel

VENTANA FIREPLACE COMPONENTS

ENGINES	Model	Description
	1200EAN	Direct Vent Ventana Engine NG (Log Set)
	1200EAP	Direct Vent Ventana Engine LPG (Log Set)

LINERS	Model	Description
	1245VRL	Victorian Red Brick Liner
	1250FSL	Frontera Stone Liner
	1255IBL	Inca Slab Liner
	1260BSL	Black Slab Liner
	1280LSL	Ledgestone Liner

SURROUNDS	Model	Description
	614CVI*	Cast Surround - Vintage Iron (35-3/4" h X 43-5/8" w)
	615CVI*	Arched Cast Surround - Vintage Iron (35-3/4" h X 45-1/4" w)
	623STV**	Square Trim Kit - Vintage Iron (34-7/16" h X 44-5/16" w)
	623STZ**	Square Trim Kit - Bronze (34-7/16" h X 44-5/16" w)
	1215FDV	Double Door FenderFire Front (31-3/4" h X 35-3/4" w)
	1220FSV	Single Door FenderFire Front (31-3/4" h X 35-3/4" w)
	1240BPK	3-Sided Backing Plate Kit - Black (31-3/4" h X 35-3/4" w)
	1241FBK	4-Sided Backing Plate Kit - Black (31-3/4" h X 35-3/4" w)

* The 614/615 Surrounds must be installed with one of these fronts - 1215FDV, 1220FSV, 1240BPK
 ** The 623 Square Trim Kits must be installed with the 1240BPK 3-Sided Backing Plate

ACCESSORIES	Model	Description
	658DVK	Direct Vent Terminal Kit
	1200NCK	NG Conversion Kit
	1200PCK	LPG Conversion Kit
	1225VFB	Ventana Fret - Black
	1230ACB	Andiron Classic Fret - Black
	1265WSK	Wall Switch Kit
	1270RBK	Remote Blower Kit
	GV60BRK	1-Hour Shut Down Handset
	GV60NTK	Non-Thermostat Handset

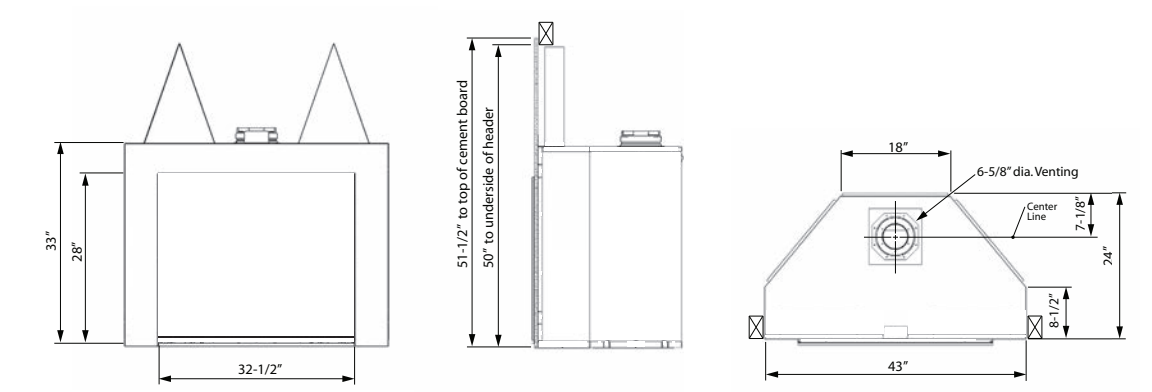
MODEL/ FUEL	Model	Fuel	Max. Input BTU/hr	Min. Input BTU/hr	EnerGuide Rating*	Max. Output* (w/out fan) BTU/hr
	1200EAN	NG	36,000	15,000	64.4%	25,530
	1200EAP	LPG	31,000	15,000	64.1%	21,510

Certified to ANSI Z21.88-2014/ CSA 2.33-2014 Vented Gas Fireplace Heater American National Standard
 CGA - 2.17-91 Gas Fired Appliances for use at High Altitudes
 * EnerGuide Ratings and Outputs have been determined without a fan/blower, using the CSA P4.1-09 test method



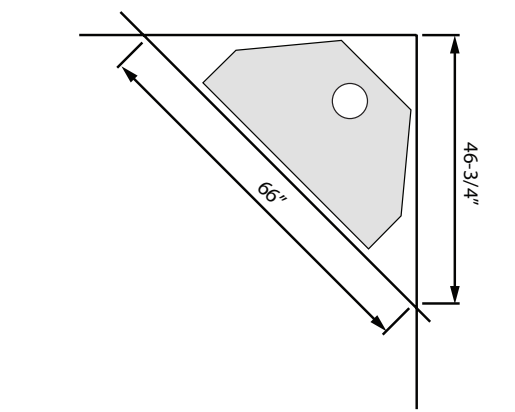
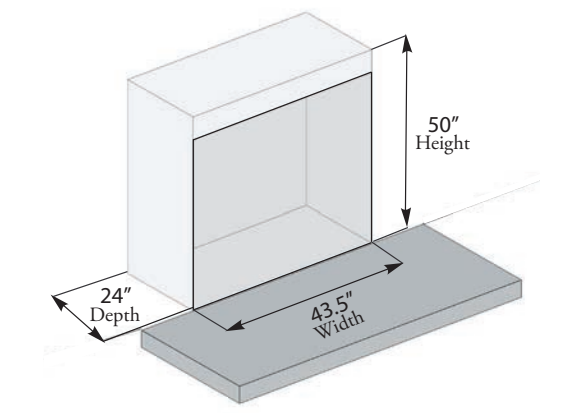
VENTANA PRODUCT DIMENSIONS, FRAMING DIMENSIONS & VENTING

PRODUCT DIMENSIONS



FRAMING DIMENSIONS

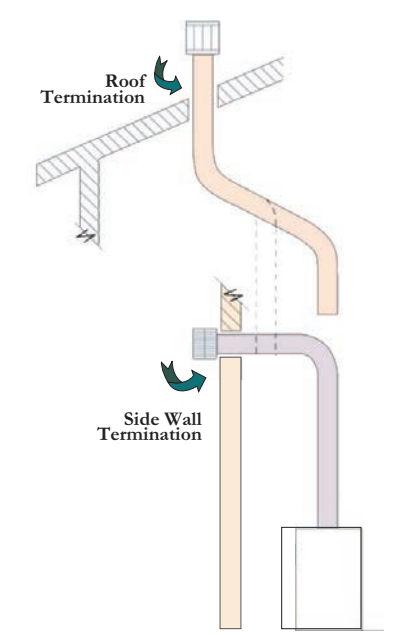
FRAMING SPECS - 50"(h) x 43.5"(w) x 24"(d)



VENTING

VENTING SPECS

- The maximum vertical vent run is 40 feet
- The minimum vertical vent run is 2 feet



Designed and manufactured by:
MILES INDUSTRIES

Copyright Miles Industries Ltd. 2014
 Proudly made in North America
 BRVTNA14E - Oct. 2014
 Printed on recycled paper

Please Note: Printed images may vary from actual product.
 Refer to the 1200 Ventana Series engine manual for product installation.
 All product information is accurate at time of printing and is subject to change.
 For more information visit valorfireplaces.com

Valor SMARTFIRE SYSTEM

LUXURY. EFFICIENCY. QUALITY. CONVENIENCE. HEAT.



VALOR COMFORT CONTROL

Standard with purchase, the Valor Comfort Control manages your heating needs with convenience, reliability and simplicity. Valor's touch button handset ignites the pilot with ease, adjusts flame levels as desired and has programmable options including room temperature control. Eco-friendly in design, your pilot flame will automatically turn off if the fireplace is inactive for over 5 days, saving energy and lowering overall home heating costs.



THE COMFORT ZONE

Pumping forced air heat through your entire home is often inefficient. Targeting specific areas that you frequent the most is more economical and efficient in the long run. Zone heating with a Valor requires no ducting or forced air, delivering the perfect blend of radiant and convective warmth - where you want it, when you want.



RADIANT WARMTH

Like heat from the sun, Valor fireplaces distribute radiant warmth directly to your living space. Radiant heat satisfies human comfort needs, using up to 25% less energy compared to traditional forced air systems. Valor warmth effectively replaces the chill from cold windows and doors, providing steady, even heat to objects in the room. Designed to naturally circulate warm air through convection, the Ventana raises 'large-format' gas fireplace standards in efficiency and heat performance.



HEAT DURING A POWER FAILURE - NO POWER, NO PROBLEM

If the power fails in the winter your home can get cold fast. Valor fireplaces are fully functional heaters that don't use electricity. Ventana fireplaces provide the perfect mixture of radiant and convective heat eliminating the need for a noisy, inefficient fan. No power, no problem with Valor.



BURN CLEAN, ENGINEERED GREEN

Natural gas is the cleanest fireplace fuel you can burn, with the lowest particulate levels and lowest levels of greenhouse gases. Valor specializes in the design of cost effective, heat solutions for your home.



FIREPLACE SAFETY - USE RADIANT HEAT SAFELY

Fireplace surfaces, in particular the glass viewing window, are extremely hot during operation and will remain hot for a period of time after the fireplace is turned off. Contact with the hot glass can cause severe burns. Close adult supervision is required if there are young children, or at-risk individuals in the house.

Included with your purchase, a Valor Barrier Screen is recommended at all times. Install an approved aftermarket safety gate to keep toddlers, young children and at-risk individuals a safe distance from the fireplace.

For more information please visit www.valorfireplaces.com/safety.



Ventana Fireplace with 1240BPK 3-Sided Backing Plate & 1280LSL LedgeStone Liner

Valor THE WISE WAY TO HEAT

valor
THE ORIGINAL
RADIANT GAS FIREPLACE™
www.valorfireplaces.com

BRVTNA14E - Oct. 2014

Your Authorized Valor Dealer