

# INSTALLATION & OWNER'S MANUAL



# Retrofire



US Patent no. 8,166,965

## Gravity Vent Fireplace Insert RF24JBN (natural gas) & RF24JBP (propane gas)

# DANGER

Please read this manual  
**BEFORE** installing and  
operating this appliance.



**HOT GLASS WILL  
CAUSE BURNS.**

**DO NOT TOUCH GLASS  
UNTIL COOLED.**

**NEVER ALLOW CHILDREN  
TO TOUCH GLASS.**

A barrier designed to reduce the risk of burns from the hot viewing glass is provided with this appliance and shall be installed for the protection of children and other at-risk individuals.

## INSTALLER

Leave this manual  
with the appliance.

## CONSUMER

Retain this manual  
for future reference.

### WARNING

#### FIRE OR EXPLOSION HAZARD

Failure to follow safety warnings exactly could result in serious injury, death, or property damage.

- Do not store or use gasoline or other flammable vapors and liquids in the vicinity of this or any other appliance.
- **WHAT TO DO IF YOU SMELL GAS**
  - Do not try to light any appliance.
  - Do not touch any electrical switch; do not use any phone in your building.
  - Leave the building immediately.
  - Immediately call your gas supplier from a neighbor's phone. Follow the gas supplier's instructions.
  - If you cannot reach your gas supplier, call the fire department.
- Installation and service must be performed by a qualified installer, service agency or the gas supplier.

This appliance may be installed in an after-market permanently located, manufactured (mobile) home where not prohibited by local codes.

This appliance is only for use with the type of gas indicated on the rating plate. This appliance is not convertible for use with other gases, unless a certified kit is used.

This appliance is a domestic room-heating appliance. It must not be used for any other purposes such as drying clothes, etc.

This appliance is suitable for installation in a bedroom or bed sitting room.

**Massachusetts:** The piping and final gas connection must be performed by a licensed plumber or gas fitter in the State of Massachusetts.

Ce guide est disponible en français sur demande.

# Table of Contents

## FOR THE OWNER

<b>Safety and Your Fireplace</b> .....	<b>3</b>
<b>Introduction</b> .....	<b>6</b>
Locating Fireplace & Lighting Information Card .....	6
Operating Your Fireplace for the First Time.....	6
<b>Operating Your Fireplace</b> .....	<b>7</b>
Fireplace Control Devices .....	7
How to Turn Your Fireplace OFF (including pilot).....	7
How to Ensure Your Fireplace Cannot Be Turned ON Inadvertently .....	7
Your Fireplace’s Vent Safety Switch .....	7
<b>Using the Remote Control</b> .....	<b>8</b>
<b>Kits &amp; Accessories</b> .....	<b>10</b>
<b>Lighting Instructions</b> .....	<b>11</b>
<b>Servicing &amp; Maintenance</b> .....	<b>12</b>
Servicing Your Fireplace.....	12
Annual Inspection .....	12
Cleaning Your Fireplace .....	13
Checking Pilot and Burner Flames .....	15
Replacing Batteries .....	16
Using Handset Wall Holder.....	16
<b>Warranty</b> .....	<b>34</b>

## FOR THE QUALIFIED INSTALLER

<b>Specifications</b> .....	<b>17</b>
<b>Dimensions</b> .....	<b>18</b>
<b>Vent Configurations</b> .....	<b>19</b>
<b>Existing Fireplace Preparation</b> .....	<b>20</b>
<b>Installation</b> .....	<b>21</b>
Connect Gas Supply.....	21
Rough-in Vent Liner.....	22
Prepare Appliance .....	22
Connect Vent LIner to Appliance .....	23
Re-install Support Legs (if removed).....	23
Level Appliance in Hearth.....	24
Re-install Burner Module .....	24
Connect Gas Line and Test Appliance.....	24
Re-install Top Baffle (if removed).....	24
Re-install Log Support .....	24
Install Top Convection Baffle and Extension.....	25
Install Traditional Log Set MF28LSK .....	26
Install Driftwood Set MF28DWK .....	28
Refit Window .....	30
Install Remote Control .....	30
Check Operation.....	31
Adjust Aeration (if necessary).....	31
Check Vent Safety Switch .....	31
Install Barrier Screen to Window Cover.....	32
Install Window Cover and Barrier Screen.....	32
Install Bottom Cover or Cast Iron Fret.....	33
<b>Warranty</b> .....	<b>34</b>
<b>Spare Parts</b> .....	<b>35</b>

**Warranty Card at the back of this manual.**



We recommend that our gas hearth products be installed and serviced by professionals who are certified in the U.S. by the National Fireplace Institute® (NFI) as NFI Gas Specialists.

The information contained in this installation manual is believed to be correct at the time of printing. Miles Industries Ltd. reserves the right to change or modify any information or specifications without notice. Miles Industries Ltd. grants no warranty, implied or stated, for the installation or maintenance of your heater, and assumes no responsibility for any consequential damage(s).

Designed and Manufactured by / for  
Miles Industries Ltd.

190–2255 Dollarton Highway, North Vancouver, BC, CANADA V7H 3B1

Tel. 604-984-3496 Fax 604-984-0246

www.valorfireplaces.com

© Copyright Miles Industries Ltd., 2018



## SAFETY AND YOUR FIREPLACE

**Read and understand** all instructions carefully before starting the installation. **Failure to follow** these installation instructions may result in possible fire hazard and will void the warranty.

**Prior to the first firing of the fireplace**, read the Owner's information section of this manual.

**Do not use this appliance if any part has been under water.** Immediately, call a qualified service technician to inspect the unit and to replace any part of the control system and any gas control that has been under water.

**This unit is not for use with solid fuel.**

**Installation and repair should be performed by a qualified service person.** The appliance and venting system should be **inspected** before initial use and at least annually by a professional service person. More frequent cleaning may be required due to excessive lint from carpeting, bedding, etc. It is **imperative** that the unit's control compartment, burner, and circulating air passageways **be kept clean** to provide for adequate combustion and ventilation air.

**Always keep the appliance clear and free from combustible materials**, gasoline, and other flammable vapors and liquids.

**Never obstruct the flow of combustion and ventilation air.** Keep the front of the appliance **clear** of all obstacles and materials for servicing and proper operation.

**This unit must be used with a vent system** as described in this installation manual. **No other vent system or components may be used.**

This gas fireplace and vent assembly must be vented directly to the outside and must never be attached to a chimney serving a separate solid fuel burning appliance. Each gas appliance must use a separate vent system. Common vent systems are prohibited.

**Inspect the external vent cap** on a regular basis to make sure that no debris, plants, trees, shrubs are interfering with the air flow.

**Turn off the gas before servicing** this appliance. It is recommended that a qualified service technician perform an appliance check-up at the beginning of each heating season.



### WARNING:

This product can potentially expose you to chemicals including Benzene which are known to the State of California to cause cancer and birth defects or other reproductive harm. **For more information go to [www.P65Warnings.ca.gov](http://www.P65Warnings.ca.gov)**

**Do not use this heater as a temporary source of heat during construction.**

Due to the high temperature, the appliance should be **located** out of traffic areas and away from furniture and draperies.

Clothing or flammable material **should not be placed** on or near the appliance.

This appliance is a **domestic room-heating appliance**. It must not be used for any other purposes such as drying clothes, etc.

**Do not** place furniture or any other combustible household objects within 36" of the fireplace front.

**Be careful not to put any decorating objects** sensitive to heat to close above or around the fireplace as it gets very hot when operating.

**The glass door assembly must be in place and sealed before the unit can be placed into safe operation.**

**Do not operate this appliance with the glass door removed, cracked, or broken.** Replacement of the glass door should be performed by a licensed or qualified service person. Do not strike or slam the glass door.

**The glass door assembly shall only be replaced as a complete unit**, as supplied by the fireplace manufacturer. No substitute material may be used.

Do not use abrasive cleaners on the glass door assembly. Do not attempt to clean the glass door when it is hot.

**A barrier designed to reduce the risk of burns** from the hot viewing glass is provided with this appliance and **shall be installed for the protection of children and other at-risk individuals.**

If the barrier becomes damaged, the barrier shall be replaced with the manufacturer's barrier for this appliance.

Any safety screen, guard or barrier removed for servicing the appliance, must be replaced prior to operating the appliance.

**Children and adults** should be alerted to the hazards of high surface temperature and should stay away to avoid burns or clothing ignition.

**Young children** should be carefully supervised when they are in the same room as the appliance. Toddlers, young children and others may be susceptible to accidental contact burns. A physical barrier is recommended if there are at-risk individuals in the house. To restrict access to a fireplace or stove, install an adjustable safety gate to keep toddlers, young children and other at-risk individuals out of the room and away from hot surfaces.



# Safety and Your Fireplace

## Read and carefully follow all safety warnings and operating instructions contained in your owner's manual

Replacement manuals are available by contacting the Valor Service Department at 1-800-468-2567 or visit [www.valorfireplaces.com](http://www.valorfireplaces.com).

## FOLLOW THESE IMPORTANT CHILD SAFETY PRECAUTIONS AND RECOMMENDATIONS

**Parts of your Valor Fireplace become extremely hot while in operation.**

**The glass viewing window temperature can exceed 500 F at full capacity.**

**Momentary contact with a hot glass surface can cause a severe burn**, even if the fireplace is operating at reduced heating capacity.

**The glass window will remain hot** for an extended period of time after the fireplace has been turned off. Ensure that children are prevented from touching the fireplace during the cool down period.

**Toddlers and Young Children must be closely supervised at all times** when they are in the same room as the operating fireplace. They lack full awareness of danger and rely on your protection. Toddlers, in particular, do not have the motor skills and response reflexes to withdraw in the event of accidental contact with a hot surface.

**A physical barrier is strongly recommended** if there are young children, or at-risk individuals in the house. Install an approved after-market safety gate to keep toddlers, young children and



other at-risk individuals a safe distance from the fireplace.

**Keep the remote control handset out of reach of children at all times.** A wall mount storage holster is provided with your remote control handset.

**Ensure that the fireplace, including the pilot light, is completely turned off** when children are present and close supervision and safety barriers are not available—see page 7 of this manual.

**If the fireplace is not going to be used** for the summer or any extended period of time, remove the batteries from the remote control handset and remote battery box. It is recommended that batteries are replaced annually in any event—see page 16.



## SAFETY AND YOUR FIREPLACE

This manual and particularly the preceding and following pages contain very important information regarding the safe operation of your fireplace as well as maintenance instructions. Read carefully before operating your fireplace and pay special attention to the safety warnings.

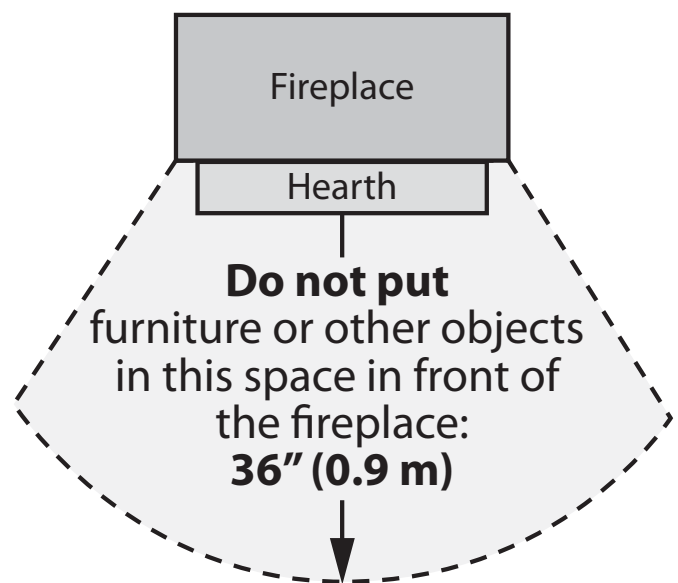
A heating gas appliance does require safe handling. For this reason, we very strongly recommend children are not allowed to touch the fireplace or controls. **Install a screen or barrier in front of the fireplace to protect your children against severe burns.**

This appliance is designed and approved as a supplemental heater and provides the potential for most energy conservation when used while attended. The use of an alternate primary heat source is advisable.



### WARNING EXTREMELY HOT!!!

- **Read the safety information on pages 3 and 4 of this manual before operating your gas heater.**
- Some parts of your fireplace are **extremely hot**, particularly the **glass** window.
- **Do not let children touch the glass** or any parts of your fireplace **even after it is turned off** as it is still hot.
- **Use the barrier screen** provided with the trim or a gate to reduce the risk of severe burns.
- Keep the remote control handset **out of reach of children.**
- **Hot hearth/floor surface!** The hearth or floor directly in front of the fireplace is very hot when the fireplace heats. Even if constructed of non-combustible materials, and although safe, it may reach temperatures **in excess of 200° F** depending on choice of materials.  
**Do not step on it!**
- Some materials or items, although safe, may discolor, shrink, warp, crack, peel, and so on because of the heat produced by the fireplace. **Avoid placing** candles, paintings, photos, and other items **sensitive to heat** within 36 inches (0.9 m) around the fireplace.
- Solid wood flooring in front of the fireplace (if allowed) may shrink during the heating season due to heat.





**Thank You ...**

For purchasing a Valor by Miles Industries. Your new radiant gas heater is a technical appliance that must be installed by a qualified dealer. Each Valor fireplace is fully tested during the production process for your safety and comfort.

Your unit has been professionally installed by:

Dealer Name: \_\_\_\_\_

Phone Number : \_\_\_\_\_

**Should you encounter an operational problem, call your dealer immediately.**

**Do not try to repair the unit as you may cause an injury or damage the fireplace.**

**Locating Fireplace & Lighting Information Card**

**⚠ WARNING**

**DO NOT ATTEMPT TO TOUCH THE DATA CARD WHILE THE FIREPLACE IS STILL HOT!** Let the fireplace cool first before touching it.

The Fireplace and Lighting Information card is located under the firebox.

To access the card, remove the cast fret or the bottom cover, grab the card and take it out to read it. There is important information on both sides of the card.

**Operating Your Fireplace for the First Time**

When operating your new fireplace for the first time, some vapors may be released due to the burning of curing compounds used in the manufacture of the appliance. They may cause a slight odor and could cause the flames to be the full height of the firebox, or even slightly higher, for the first few hours of operation.

It is also possible that these vapors could set off any smoke detection alarms in the immediate vicinity.

These vapors are quite normal on new appliances. We recommend opening a window to vent the room. After a few hours use, the vapors will have disappeared and the flames will be at their normal height.

**Flame Supervision Device**

For your safety, this appliance is fitted with a flame supervision device which will shut-off the gas supply if, for any reason, the pilot flame goes out. This device incorporates a fixed probe, which senses the heat from the pilot flame. If the probe is cool, the device will prevent any gas flow unless manually lighting the pilot. See full lighting instructions on page 11 of this manual.

**Performance of propane gas appliances may be affected by the quality of commercial gas supplied in your area.**

**Fireplace model**

**Serial number**

# Operating Your Fireplace

## Fireplace Control Devices

Your fireplace is operated by a remote control handset which can be programmed to function automatically—see pages 8–9.



Thermostatic Remote Control

## How to Ensure Your Fireplace Cannot Be Turned ON Inadvertently

The best way to ensure your fireplace will not turn on is to turn it off, including pilot—see above.

If you wish to maintain the pilot only without the main burner coming on, turn the Gas Control Knob to Pilot position.

## Your Fireplace's Vent Safety Switch

This appliance is equipped with a vent safety switch which, when activated, will turn off the burner and pilot if the vent is blocked, disconnected, or if there is excessive down draught.

If the safety switch is activated, wait for it to cool off before trying to light the appliance again. The safety switch will cool off and reset itself automatically after 25 to 30 minutes.

**In the event that the safety switch is activated again, contact a qualified service technician for inspection.**

Should the safety switch require replacement, only use parts supplied by Miles Industries.

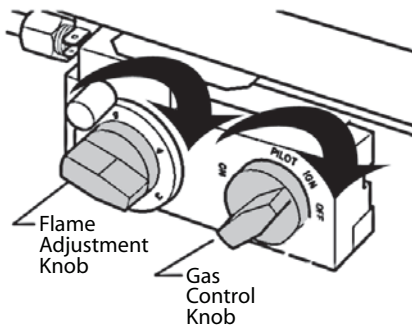
## How to Turn Your Fireplace OFF (including pilot)

### **! WARNING**

**RISKS OF SEVERE BURNS! SURFACES OF THE FIREPLACE ARE VERY HOT DURING OPERATION!** Be very careful and wear gloves to access controls.

Remove the cast fret or the bottom cover. Locate the gas valve under the firebox.

1. Set the Flame Adjustment Knob clockwise  $\cup$  as far as possible.
2. Push in the Gas Control Knob slightly and turn it clockwise  $\cup$  to OFF. Do not force.

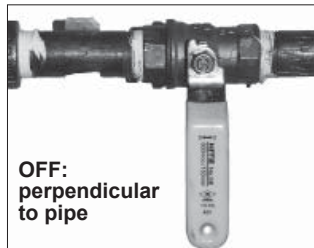


Turn gas valve buttons clockwise to turn fireplace OFF.

In the unlikely event that you cannot turn off your fireplace with the remote control handset, turn off gas supply and call your dealer for service assistance.



**ON: parallel to pipe**



**OFF: perpendicular to pipe**

## Using the Remote Control

Your fireplace remote control helps you get the comfort, convenience and aesthetics you want from your gas fireplace. The remote controls your fireplace in different ways.

**IMPORTANT:** *BEFORE YOU BEGIN, please note that on this system, the settings of time, temperature and automatic ON/OFF can only be programmed when the function display is flashing. Be patient when programming as it can take a few seconds to set.*

### Setting the time

The first thing to do is to set the time.

1. With your thumb, hold down **both** the **AUTO** and **TIMER** buttons until **F** flashes. Let go.
2. Note the digital clock on the bottom right hand corner. The **▲** button sets the hour; the **▼** button sets the minutes. Set the time.  
Note: You must start setting the time while the **F** is flashing. If it stops flashing, go back to 1.
3. The display shows °C/24-hour or °F/12-hour. To change the temperature/hour display, press on the **AUTO** button while the display flashes.
4. Let go and wait until the flashing stops. The remote shows the time you set. It also shows the current temperature.

### Setting the temperature

Use this setting when you come in and want to enjoy a specific temperature.

1. Push the **AUTO** button until a number and **F** flash. Let go.
2. While it is still flashing, push the **▲** and **▼** buttons to the temperature you want. Let go.

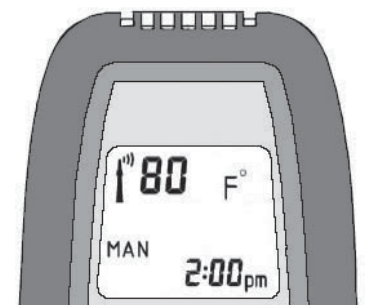
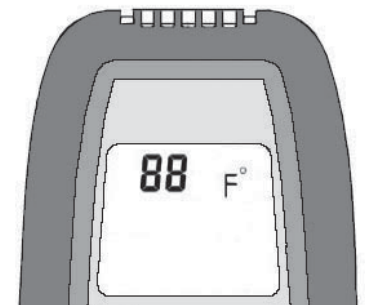
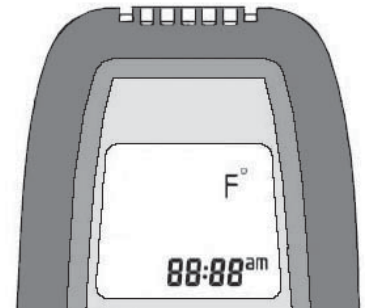
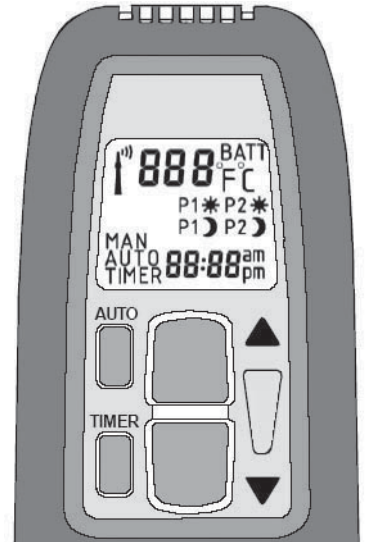
Your fireplace will reach that temperature and the remote will check the temperature every five minutes, adjusting the amount of fuel needed to give you a steady, even heat.

### Setting the flame

Use this setting when you want a particular flame level. For instance, you want to watch flames burn at their highest level and you don't mind if the room is too hot.

1. To raise the flame, press and hold the **▲** button until the flame gets to the desired level. Let go.
2. To lower the flame, press and hold the **▼** button until the flame gets to the desired level. Let go.

The **flame level** will remain just as you set it.





## Using the Remote Control

### Programming time and temperature

You can set your fireplace to come on before you wake up and turn off after you leave and then, turn on again just before you come home and turn off after going to bed.

You can leave it like this for the heating season.

1. Decide what temperature you want your fireplace to be at. Also, decide what time you want your fireplace to turn on and off. Finally, decide what time you want it to come back on and off in the afternoon or evening. For the first few times you set the timer, it's handy to write these times down.
2. Set the temperature (just as you did in the section *Setting the temperature*.)
3. Press the **TIMER** button and hold it until **P1** ☀ appears and flashes. Let go. While flashing, push the buttons ▲ (hour) and ▼ (minutes) to set the time at which you want your fireplace to turn on in the morning.
4. Press the **TIMER** button and hold it until **P1** 🌙 appears and flashes. Let go. While flashing, push the buttons ▲ (hour) and ▼ (minutes) to set the time at which you want your fireplace to turn off when you leave.
5. Press the **TIMER** button and hold it until **P2** ☀ appears and flashes. Let go. While flashing, push the buttons ▲ (hour) and ▼ (minutes) to set the time at which you want your fireplace will turn back on in the afternoon.
6. Press the **TIMER** button and hold it until **P2** 🌙 appears and flashes. Let go. While flashing, push the buttons ▲ (hour) and ▼ (minutes) to set the time at which you want your fireplace to turn off in the evening.
7. That is all you have to do. Your fireplace will give you steady, even heat at the temperatures and times you set.

Note: If you want to set your fireplace for only one time on and off, set **P2** ☀ and **P2** 🌙 for the same times as **P1** 🌙. The remote will record the **P1** 🌙 off time for both **P2** times.

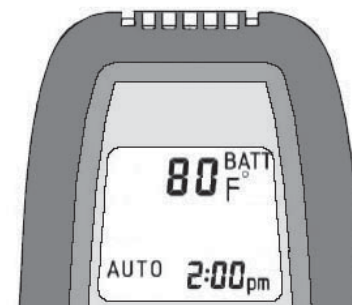
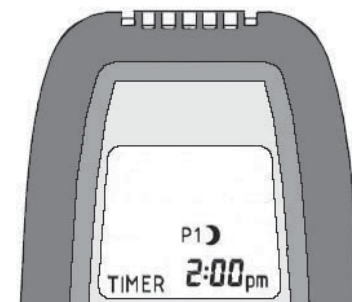
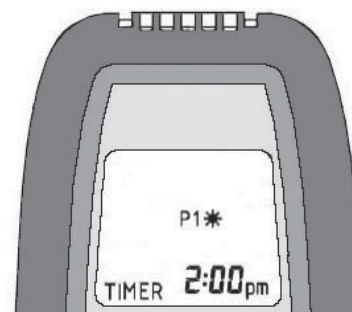
To temporarily override the timer setting, just press **AUTO** or ▲ and ▼ to go back to manual settings. Press **TIMER** to go back to your settings.

### Battery Replacement

When your remote control displays **BATT**, you need to replace the batteries.

**Handset:** one 9 volt alkaline battery.

**Receiver:** four AA 1.5 volt alkaline batteries.



### CAUTION

**DO NOT USE** a screwdriver or other metallic object to remove the batteries from the receiver or the handset! This could cause a short circuit to the receiver.

**Required Accessories**

Information accurate at the time of printing and subject to change without notice.

4006519	Barrier Screen
<b>Fuel Beds (choose one)</b>	
MF28DWK	Driftwood Set Kit
MF28LSK	Traditional Log Set
<b>Venting</b>	
Pipe—Generic 3” dia. flexible aluminum liner approved for gas venting into existing fireplace and chimneys or 4” dia. type “B” vent with zero clearance kit option.	

**Optional Accessories**

Information accurate at the time of printing and subject to change without notice.

<b>Decorative Cast Iron Frets</b>	
RA24FK	Fret Kit, required for all frets
RA24CV	Contemporary, Vintage Iron Finish
RA24AV	Avant-Garde. Vintage Iron Finish
RA24TB	Traditional, Black Finish
1225VFB	Ventana Fret, Black
<b>Screen Fronts and Trims (with RA24ZC only)</b>	
See approved list of fronts and trims which can be installed with the RA24ZC Zero Clearance Kit in this kit’s manual.	
<b>Gas Conversion Kits</b>	
RA24JBK	Conversion to natural gas
RA24JBPK	Conversion to propane gas
<b>Other Accessories</b>	
RA24ZC	Zero Clearance Kit
<b>Hearth Gate</b>	Hearth gates such as Cardinal’s VersaGates are available at retail stores carrying safety products for children.

**FOR YOUR SAFETY READ BEFORE LIGHTING**



**WARNING:** If you do not follow these instructions exactly, a fire or explosion may result causing property damage, personal injury or loss of life.

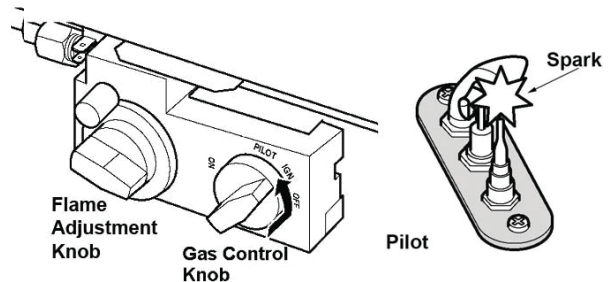
- A. This appliance has a pilot, which must be lighted by hand. When lighting the pilot, follow these instructions exactly. To save energy, turn the pilot off when not using the appliance.
- B. **BEFORE LIGHTING** smell all around the appliance area for gas. Be sure to smell next to the floor because some gas is heavier than air and will settle on the floor.



**WHAT TO DO IF YOU SMELL GAS**

- Do not try to light any appliance.
  - Do not touch any electric switch; do not use any phone in your building.
  - Immediately call your gas supplier from a neighbor's phone. Follow the gas supplier's instructions.
  - If you cannot reach your gas supplier, call the fire department.
- C. Use only your hand to push in or turn the control knobs. Never use tools. If the controls will not push in or turn by hand, don't try to repair them, call a qualified service technician. Force or attempted repair may result in a fire or explosion.
- D. Do not use this appliance if any part has been under water. Immediately call a qualified service technician to inspect the appliance and to replace any part of the control system and any gas control, which has been under water.

**LIGHTING INSTRUCTIONS**

1. STOP! Read the safety information above.
  2. Set the flame adjustment knob as far clockwise  as possible\*.
  3. Turn the gas control knob clockwise  to OFF.
- NOTE:** The knob cannot be turned from PILOT to OFF unless it is pushed in partially. Do not force.
4. Wait five (5) minutes to clear out any gas, then smell for gas, including near the floor. If you smell gas, STOP! Follow "B" in the safety information above. If you don't smell gas, go to the next step.
  5. Find the pilot. It is at the left side of the firebox viewed through slotted hole in front log.
  6. Push in and turn the gas control knob counterclockwise until resistance is felt just before the "IGN" position.
  7. Keep pushed in for a few seconds to allow gas to flow then, keeping knob depressed, turn to "PILOT" to light pilot. Hold knob in for a further 5 seconds then release. The knob should pop back out. Pilot should remain lit. If pilot goes out repeat steps 3 through 7.
    - If knob does not pop out when released, stop and immediately call your service technician or gas supplier.
    - If pilot lights but will not stay lit after several tries, turn the gas control knob to "OFF" and call your service technician or gas supplier.
  8. When pilot is lit, partially depress the knob and turn to "ON" position (Burner alight).
    - Do not leave knob set between "PILOT" and "ON".
  9. Set the flame height to desired setting\*.

**TO TURN OFF GAS TO APPLIANCE**

1. Set the flame adjustment knob as far clockwise  as possible\*
2. Push in gas control knob slightly and turn clockwise  to "OFF". Do not force.

\* The flame height can be increased or decreased by depressing the remote control hand set button.

## Servicing Your Fireplace

We recommend having your fireplace serviced every year. Contact your supplier quoting the model number. It will be helpful if the appliance's serial number can also be quoted. These numbers are on the information card. The replacement parts are shown at the end of this manual. Please always quote the part number and description when requesting spare parts.

### Annual Inspection

In order to maintain the safe operation of your fireplace, contact your dealer to have a qualified technician go over the list below and make the necessary verifications at least once every year.

## Safe Operation List

### To be performed by a qualified technician only

1. Clean glass window with a suitable fireplace glass cleaner. Abrasive cleaners must not be used. Be careful not to scratch the glass when cleaning. See *Cleaning Your Fireplace* section of this manual.
2. Inspect the operation of the flame safety system Pilot or Flame rectification device.
3. Inspect and ensure the lighting of the main burner occurs within 4 seconds of the main gas valve opening. Visual inspection should match that outlined in the appliance instruction manual. Inspect primary air openings for blockage. See *Checking Pilot and Burner Flame* section of this manual.
4. Inspect condition of vent and vent terminal for sooting or obstruction and correct if present.
5. Vacuum and clean any debris in the firebox that is not supposed to be there.
6. Test and measure the flame failure response time of the flame safety system. It must de-energize the safety shutoff in no more than 30 seconds.
7. Check all accessible gas-carrying tubes, connections, pipes and other components for leaks. See *Set up Gas Supply* section of this manual.

## Cleaning Your Fireplace

### **⚠ WARNING**

**DO NOT TOUCH THE GLASS WHILE IT IS HOT!**  
Let the fireplace cool first before cleaning it.

#### **Important - Glass cleaning - Mineral deposits**

One of the by-products of the combustion process in a gas appliance is a mineral which can show up as a white film on the ceramic glass of the viewing door.

The composition of the deposit varies with location and time. It is believed to be associated with the varying sulfur content of the gas. You may have the problem intermittently.

We have consulted with ceramic glass manufacturers and they cannot offer a definitive solution to this problem. Dealers have tried various cleaning products with varying results. The following are recommendations only and are not meant to guarantee results.

**NOTE: This is a problem beyond Miles Industries' control and is not covered under warranty.**

- Clean the glass regularly as soon as you notice the buildup (white film). If the film is left for a longer period of time, it will etch into the glass. It is then much harder, if not impossible, to remove.
- **NEVER use an abrasive cleaner or ammonia-based cleaner on the ceramic glass.** Any abrasion of the surface has the immediate effect of compromising the strength of the glass. An emulsion type cleaner is recommended.
- Use a soft damp cloth to apply the cleaner. Dry the glass with a soft, dry, preferably cotton cloth. Most paper towels and synthetic materials are abrasive to ceramic glass and should be avoided.
- Our dealers have had good results from the products listed below. We cannot, however, guarantee the results of these products.
  - Brasso, Polish Plus by Kelkem, Cook Top Clean Creme by Elco, White Off by Rutland, Turtle Wax

#### **Do not clean the glass while it is hot!**

Always securely replace the window and the barrier screen before lighting.

**If broken, the glass pane may only be replaced as a complete window unit as supplied by the manufacturer.**

**If the barrier becomes damaged, the barrier shall be replaced with the manufacturer's barrier for this appliance.**

Clean the window panes following the guidelines in this section.

Clean the steel trim with mild soap and warm water. Any alcohol/solvent base cleaner will weaken the coating and damage it.

Clean the barrier screen dusting it with a soft brush.

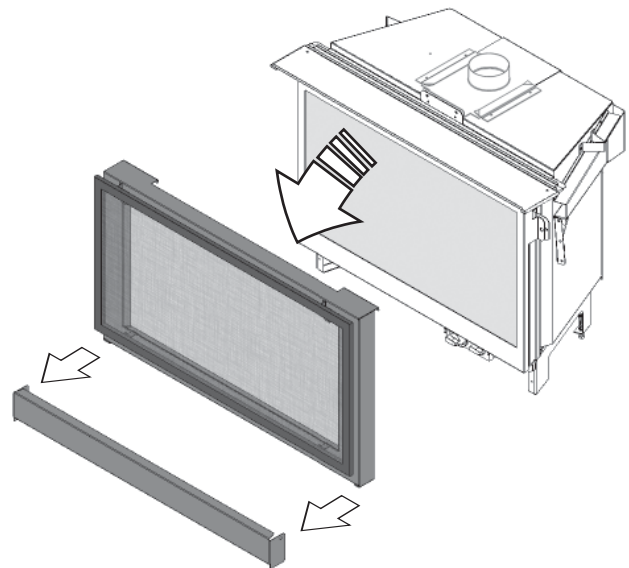
Clean the firebox ceramic logs/rocks and walls dusting them with a soft brush. Dust can also be removed from the burner using a soft brush after removing the fuel bed. **When cleaning, make sure that no particles are brushed into the slots of the burner.**

### **⚠ WARNING**

**DO NOT TOUCH THE BARRIER SCREEN OR FIREPLACE WHILE THEY ARE HOT!** Let the fireplace cool first before cleaning it.

#### **Remove the window to clean the fireplace.**

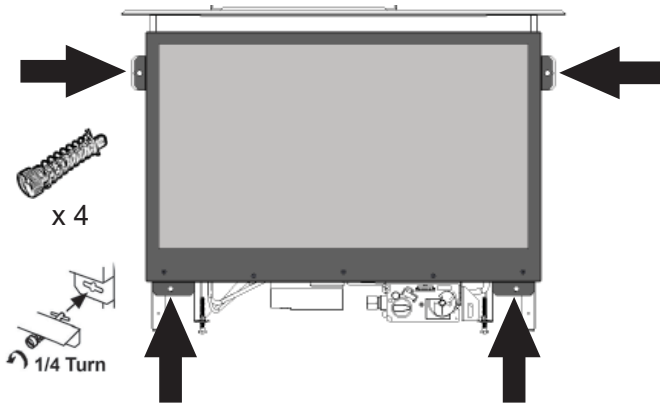
1. **Bottom cover:** If using a bottom cover, pull it out to unhook it.  
**Fret:** If using a fret, unhook it and unhook its brackets.
2. **Screen and Window cover:** The screen is hooked to the window cover which in turn is hooked to the fireplace at the top and attached with magnets at the bottom. Grabbing both the screen and window cover, pull the bottom to detach the magnets and unhook the top.





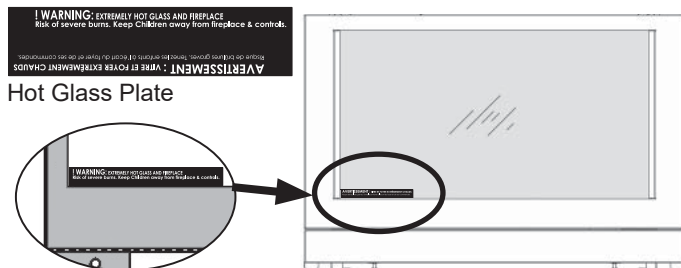
## Servicing & Maintenance

- 3. Glass window:** Rotate the four fastening studs at the bottom corners and sides 90 degrees to release them. Unhook the glass window.



### Reinstall the window.

1. Hook the glass window to the firebox then fasten the four studs pushing and turning them 90 degrees, **Verify that each stud is properly hooked by feeling with your fingers and ensuring the pin of the bolt is hooked to the fireplace's flange.**
2. **If the Hot Glass Warning plate has been removed from the front lower corner of the window, reinstall it by sliding it between the glass and the frame as indicated.**



### Reinstall the barrier screen and window frame.

#### **! WARNING**

**FOR SAFETY PURPOSE , ensure the barrier screen is re-installed on the fireplace front after maintenance.**

3. Hook the window frame with screen attached to the top of the firebox. Push the bottom against the firebox to attach the magnets.
4. Reinstall the bottom cover sliding its top flange into slots located at the bottom corners of the window frame or hook the fret to its brackets.

## Servicing & Maintenance

### Checking Pilot and Burner Flames

A periodic check of the pilot and burner flames should be made. Check after the fire has been on for at least 30 minutes. The pilot flame must cover the tip of the thermocouple probe. The main burner flame pattern will vary from appliance to appliance depending on the type of installation and climatic conditions.

The appliance area must always be kept clear and free from combustible materials, gasoline and other flammable vapors and liquids. Inspect the vent terminal outdoors regularly to make sure that dirt, snow, insects, leaves, shrubs, trees do not obstruct it. Examine the whole vent system regularly. We recommend annually.

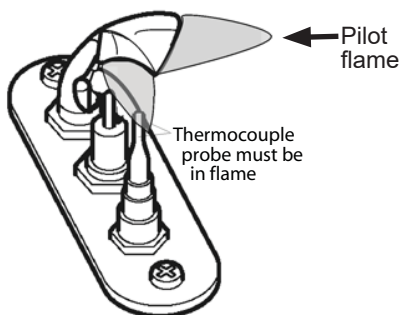
#### Correct flame appearance



MF28LSK—Traditional Logs



MF28DWK—Driftwood



Replacing Batteries

**⚠ WARNING**

**DO NOT ATTEMPT TO CHANGE THE BATTERIES WHILE THE FIREPLACE IS STILL HOT!** Let the fireplace cool first before touching it.

**CAUTION**

**DO NOT USE** a screwdriver or other metallic object to remove the batteries from the receiver or the handset! This could cause a short circuit to the receiver.

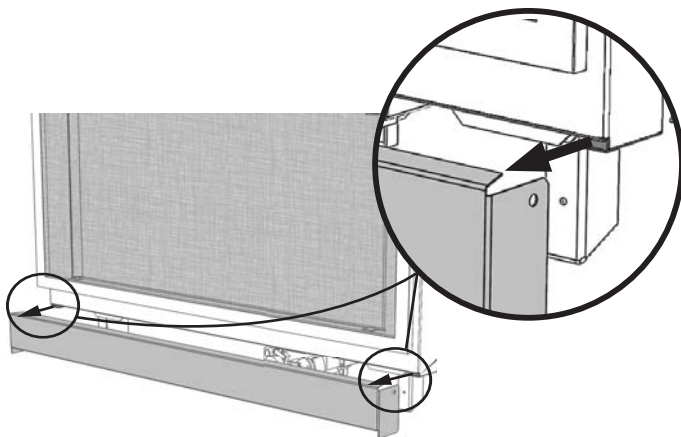
**Low battery signal: see page 9.**

The appliance uses four 1.5 V AA **alkaline** batteries for its remote control receiver and one 9 V **alkaline** battery for its handset. The batteries should last one to two seasons, depending on usage. Removing the batteries in the off-season will extend the battery life. Should the batteries loose power, the control may be operated by manually turning the control knob at the valve or by turning off the valve at the switch.

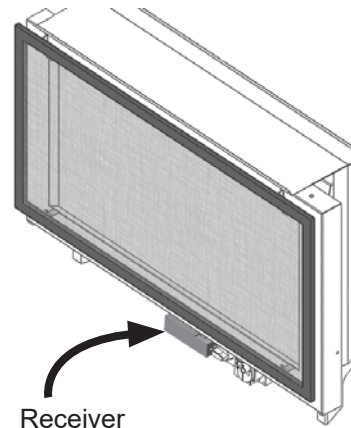
**To replace the batteries in the remote control receiver:**

The receiver is located under the firebox, behind the bottom cover or the fret; it sits at the left of the valve and it is retained to the firebox by a *Velcro* tab.

1. Slide the bottom cover straight out from the slots located at the bottom corners of the window frame or unhook the fret.



2. The receiver is located to the left of the valve and it is retained to the firebox by a *Velcro* tab. Grab the receiver and pull it out from its location.



3. Slide and remove the receiver cover.
4. Replace batteries with 4 AA **alkaline** batteries.
5. Replace the cover.
6. Put the receiver back in its position pushing it in so it attaches to the *Velcro* tab.

**Using Handset Wall Holder**

Your fireplace equipment includes a wall holder to store the handset. If it hasn't be installed, refer to the instructions further on in this manual for the installation.



This appliance is intended for installation **into existing masonry or factory-built, solid-fuel burning fireplaces only.**

### Approvals and Codes

This appliance is certified to ANSI Z21.88-2017 / CSA 2.33-2017 American National Standard / CSA Standard for *Vented Gas Fireplace Heaters* for use in Canada and the USA and to CGA 2.17-91 *High Altitude Standard in Canada*. This appliance is for direct vent installation terminating at the roof only.

**Model RF24JBN** is for use with Natural Gas only.

**Model RF24JBP** is for use with Propane Gas only.

Conversion between fuels may only be done using the approved conversion kits listed in the section *Options*.

This appliance complies with CSA P.4.1-15 *Testing method for measuring annual fireplace efficiencies*.

The installation must conform to local codes or, in the absence of local codes with the *National Fuel Gas Code, ANSI Z223.1/NFPA 54* or the *Canadian Installation Code CAN/CGA-B149.1*. Only qualified licensed or trained personnel should install this appliance.

This appliance, when installed, must be electrically grounded in accordance with local codes, or in the absence of local codes, with the *National Electrical Code, ANSI/NFPA 70* or the *Canadian Electrical Code, CSA C22.1*

### Ratings

Model	JBN	JBP
Gas	Natural	Propane
Altitude (Ft.)*	0-4,500 feet*	
Input Maximum (Btu/h)	20,000	18,000
Input Minimum (Btu/h)	12,500	12,500
Manifold Pressure (in w.c.)	3.2	9.5
Minimum Supply Pressure (in w.c.)	5.0	11.0
Maximum Supply Pressure (in w.c.)	10.0	14.0
Main Burner Injector Marking	82-580	92-200
Pilot Injector Marking	35	27

### \*High Altitude Installations

Input ratings are shown in BTU per hour and are certified without deration for elevations up to 4,500 feet (1,370 m) above sea level.

For elevations above 4,500 feet (1,370 m) in USA, installations must be in accordance with the current ANSI Z223.1 and/or local codes having jurisdiction. In Canada, please consult provincial and/or local authorities having jurisdiction for installations at elevations above 4,500 feet (1,370 m).

**⚠ WARNING**

**Some materials or items, although safe, may discolor, shrink, warp, crack, peel, and so on because of the heat produced by the fireplace. Avoid placing candles, paintings, photos, and other items sensitive to heat around the fireplace.**

**⚠ WARNING**

**HOT HEARTH / FLOOR! The hearth or floor in front of the fireplace may become very hot when the fireplace heats. Do not use the hearth as a seat or shelf. Solid wood flooring in front of the fireplace (if allowed) may shrink during the heating season due to heat.**

### Non-Combustible Materials Specifications

Material which will not ignite and burn. Such materials are those consisting entirely of steel, iron, brick, tile, concrete, slate, glass or plasters, or any combination thereof.

Materials that are reported as passing ASTM E 136, Standard Test Method for Behavior of Materials in a Vertical Tube Furnace at 750 °C shall be considered non-combustible materials.

### Combustible Materials Specifications

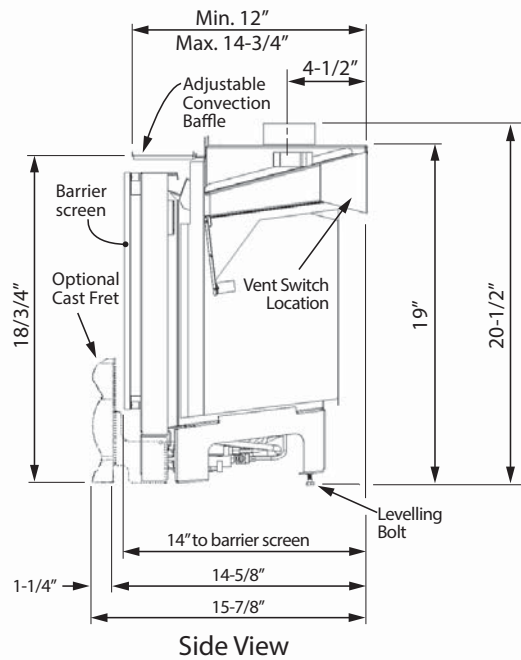
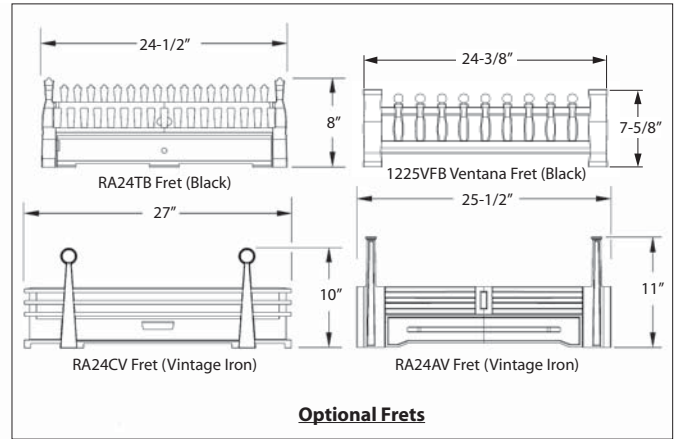
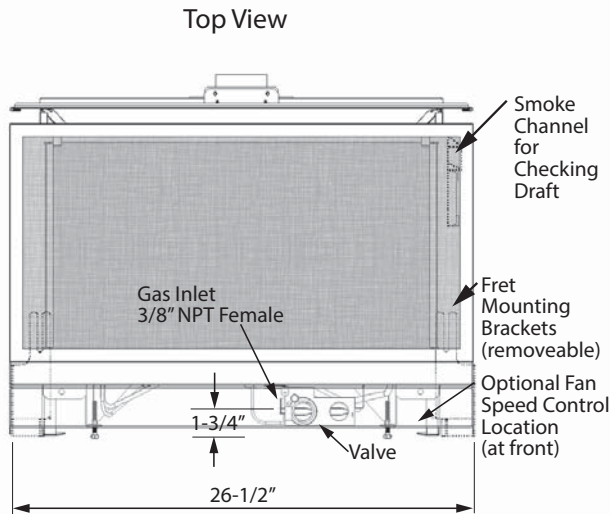
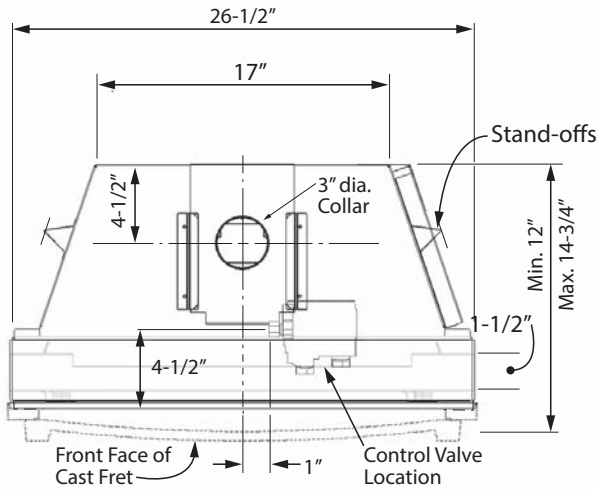
Materials made of or surfaced with wood, compressed paper, plant fibers, plastics, or other material that can ignite and burn, whether flame proofed or not, or plastered or unplastered shall be considered combustible materials.

**This appliance is designed and approved as a supplemental heater and provides the potential for most energy conservation when used while attended. The use of an alternate primary heat source is advisable.**

# Dimensions

## Dimensions—for Solid-Fuel Burning Fireplace Insert Only

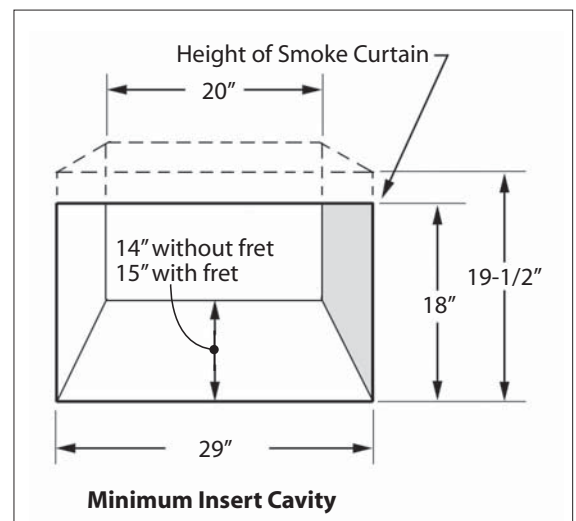
See separate framing Dimensions for Zero Clearance applications with the Zero Clearance Kit RA24ZC.



## Minimum Cavity Dimensions—for Solid-Fuel Burning Fireplace Insert

(See separate framing dimensions for Zero Clearance applications in the Zero Clearance Kit RA24ZC.)

The diagram shows minimum dimensions required to install the RF24. Installations in cavities having a combination of **all** the minimum dimensions shown, although possible, may prove to be difficult.





## Dimensions

### Mantel / Hearth Clearances

Combustible Mantel and Hearth Clearances for insert applications must conform to those required for the original solid-fuel burning fireplace in which the RF24 insert is being installed.

NOTE: The glass front and hearth are very hot. Existing wire mesh screens or free standing hearth mounted mesh screens may be used in front of the RF24 insert to help minimize the chance of injury.

## Vent Configurations

### Vent Materials

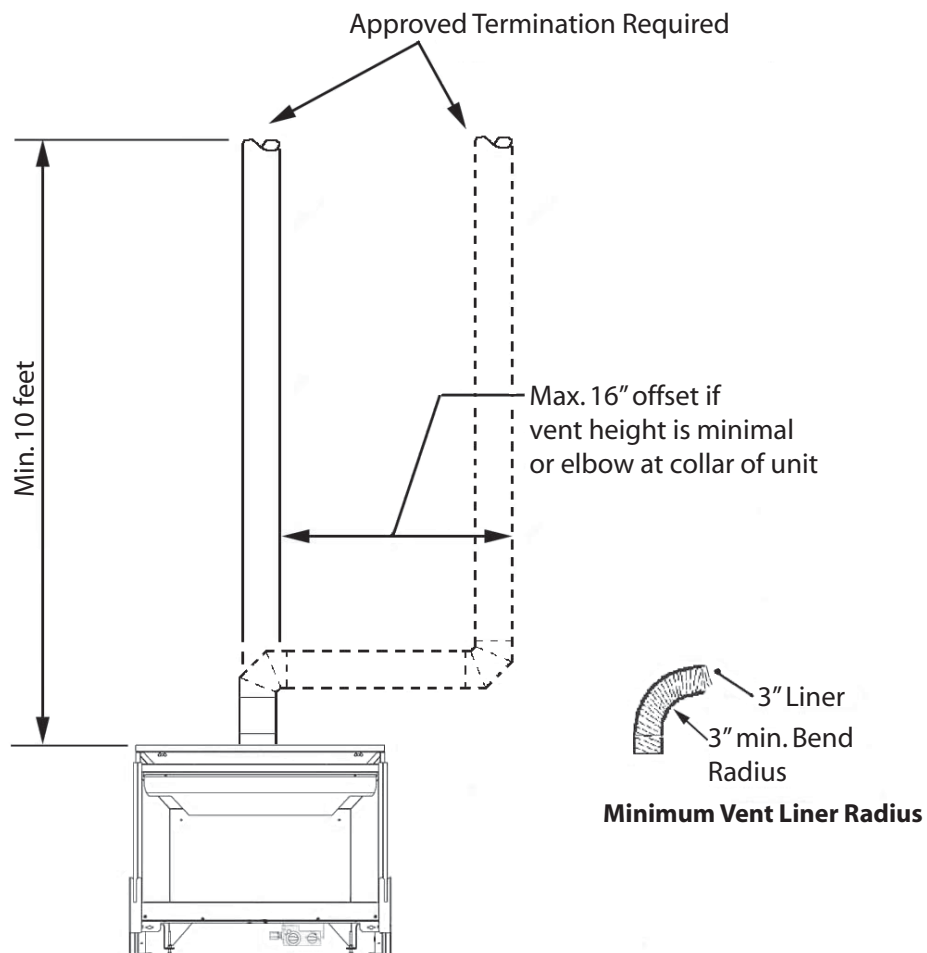
Use a 3" diameter aluminium flex liner approved for gas venting when installing as an insert (existing chimneys).

Use a 4" diameter type "B" vent when installing with a RA24ZC Zero Clearance Kit. See separate instructions packaged with the Zero Clearance Kit.

The minimum vent lengths are shown below. For other allowable configurations, refer to the venting tables in the *National Fuel Gas Code Z223.1* or the *Natural Gas and Propane Installation Code B149.1*.

**WARNING**

Failure to position the parts in accordance with these diagrams or failure to use only parts specifically approved with this appliance may result in property damage or personal injury.



**Allowable Vent Configurations**

## Existing Fireplace Preparation

A few points must be considered before inserting the RF24 into an existing fireplace cavity. Generally, modifications to the existing fireplace that will compromise its integrity are NOT allowed. Components that are bolted or screwed on such as dampers or baffles may be removed to accommodate the installation of the RF24 engine. **Cutting away any sheet metal parts of the existing fireplace to accommodate the installation of the RF24 is prohibited.** Check with local authorities if in doubt.

### Clean Fireplace and Chimney

Have the chimney swept and the fireplace cavity including ash dumps and clean-outs cleaned before installing the RF24 heater and vent liners. Any creosote or soot residue remaining in the fireplace cavity, chimney, or clean-out may cause odors or stains once the RF24 insert is installed. Consult with chimney sweep for information on how best to clean.

### Existing Dampers

Factory-built, zero-clearance fireplaces will require the damper to be removed in order to install the vent liners. These dampers are usually bolted into place. Dampers in masonry fireplaces must be fixed open and may remain in place.

### Ash Retaining Curbs

Some fireplaces (particularly factory-built) have a raised curb at the front edge to retain ashes. Check the dimensions carefully to ensure the RF24 engine will fit behind any raised curb (some curbs may be removed separately from the refractory base). The fret retainers allow for some vertical adjustment of the cast iron fret should the fret need to sit on top of the curb, otherwise the fret will need to be eliminated or adequate room provided behind the curb.

### Gas Line Routing

Plan the routing of the gas line before proceeding. Utilize the existing hole for the gas line. If the factory-built fireplace has no access hole, carefully drill an access hole of 1.5 inch (38 mm) or less through the lower sides or bottom of the firebox. The access hole must be plugged with non-combustible insulation after the gas supply line has been installed. See General Dimension drawing for detailed location of gas inlet. Also, take into consideration whether or not a fan or shut-off valve will interfere when planning routing of the gas line.

### Existing Glass Doors and Wire Screens

**Existing glass doors must be permanently removed** prior to installing the RF24 insert. Existing wire fire screens may remain in place or new ones may be added. The RF24 has been tested and approved to operate with wire fire screens in the **closed** or **open** positions.

### Combustible Mantels

Combustible mantel clearances must conform to those required for the original solid-fuel fireplace into which the RF24 is being installed.

### Paint Existing Refractory Liners

It may be desirable, for visual reasons, to paint the existing refractory liners in black to blend in with the RF24 insert once installed.

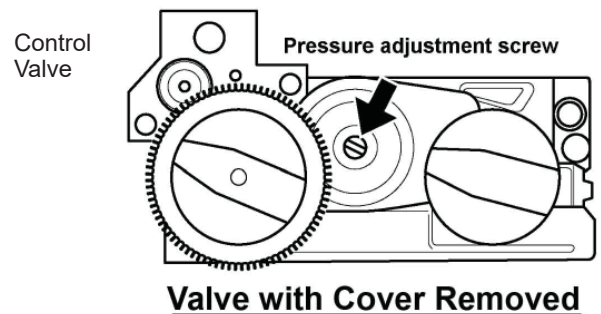
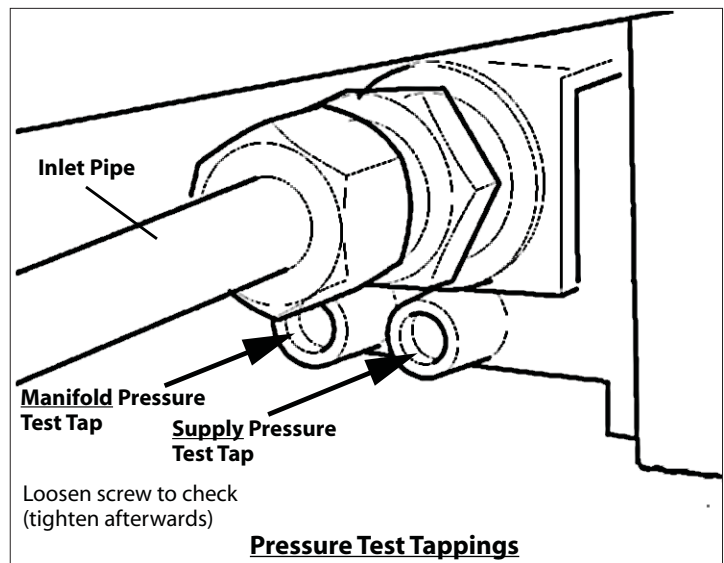
### Attach Warning Label to Existing Fireplace (label supplied loose with RF24 heater)

Attach the "This fireplace has been converted..." label **to the existing fireplace** using screws or other mechanical means and store any removed parts in back of the existing fireplace for future use.

## Connect Gas Supply

- It's preferable to rough-in the gas line at this point before proceeding with the firebox installation.
- The gas supply inlet connection is a 3/8" NPT female connector. For detailed location of this connector, see drawing in section *Dimensions*. If a circulating fan or isolating valve is to be installed, adjust the routing of the gas line to suit.
- Use only new black iron or steel pipes or copper tubing if acceptable—check local codes. Note that in USA, copper tubing must be internally tinned for protection against sulfur compounds.
- Unions in gas lines should be of ground joint type.
- The gas supply line must be sized and installed to provide a supply of gas sufficient to meet the maximum demand of the appliance without undue loss of pressure.
- Sealant used must be resistant to the action of all gas constituents including LP gas. Sealant should be applied lightly to male threads to ensure excess sealant does not enter gas lines.
- The supply line should include a manual shut-off valve and union to allow the appliance to be disconnected for servicing.
- Pressure test the supply line for leaks.
- **The appliance and its individual shut-off valve must be disconnected from the gas supply piping system during any pressure testing of that system at test pressures in excess of ½ psig (3.5 kPa).**
- **The appliance must be isolated from the gas supply piping system by closing its individual manual shut-off valve during any pressure testing of the gas supply piping system at test pressures equal to or less than ½ psig (3.5 kPa).**
- Failure to either disconnect or isolate the appliance during pressure testing may result in regulator or valve damage. Consult your dealer in this case.
- The minimum supply pressure is given in the section *Specifications* of this manual.
- All piping and connections must be tested for leaks after installation or servicing. All leaks must be corrected immediately.
- When testing for leaks:

- Make sure that the appliance is turned off.
- Open the manual shut-off valve.
- Test for leaks by applying a liquid detergent or soap solution to all joints. Bubbles forming indicate a gas leak. **Never use an open flame to check for leaks.**
- Correct any leak detected immediately.
- The pressure test tapping locations are shown in figure below. A built-in non-adjustable regulator controls the burner manifold pressure. The correct pressure range is shown in the table in section *Specifications* of this manual. The pressure check should be made with the burner alight and at its highest setting. See *Lighting Instructions* section for full operating details.

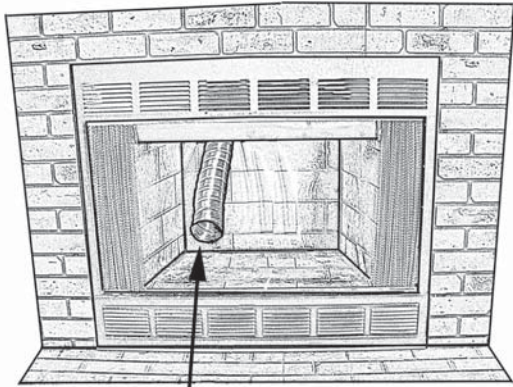


# Installation

## Rough-in Vent Liner

Rough-in the 3" diameter vent liner into existing chimney system being careful not to tear or damage the liner in the process. Leave plenty of liner at the bottom end if the heater will be connected while on the hearth—see diagram.

When connecting the liner in this manner, **it is best to leave the top termination until later** so the slack liner can be lifted after the insert is in place.

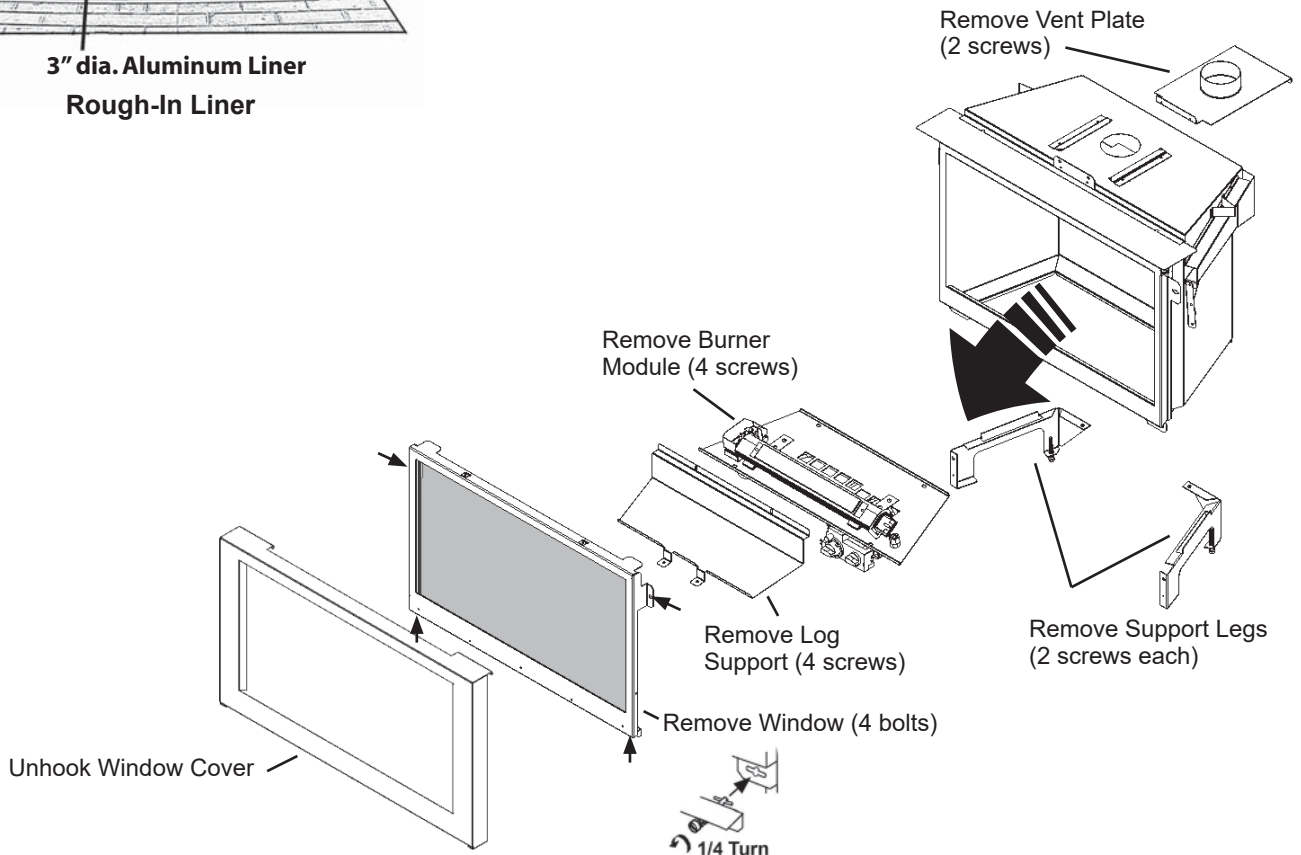


3" dia. Aluminum Liner  
Rough-In Liner

## Prepare Appliance

The size of the existing fireplace cavity will affect the method of installation. Smaller fireplaces, particularly factory-built zero-clearance fireplaces will require the RF24 firebox to be disassembled then reassembled inside the fireplace. Plan your particular installation accordingly.

1. Unpack appliance.
2. Unhook window cover.
3. Remove window (4 bolts).
4. Remove articles from firebox.
5. Strip firebox down by removing:
  - a. Log support (4 screws);
  - b. Burner module (4 screws);
  - c. Vent plate (2 screws);
  - d. Support Legs (2 screws per leg)  
(required when inserting into small fireplaces only)



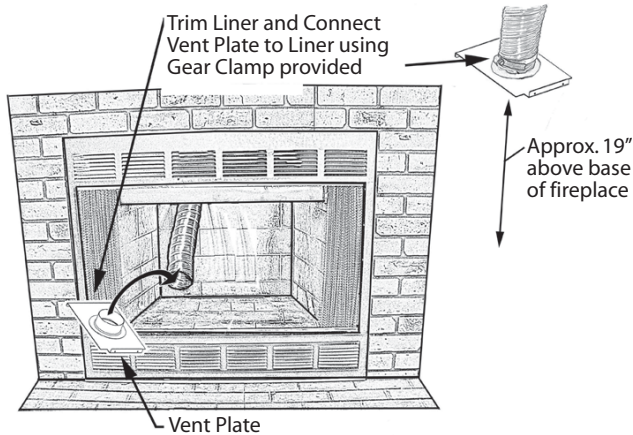


# Installation

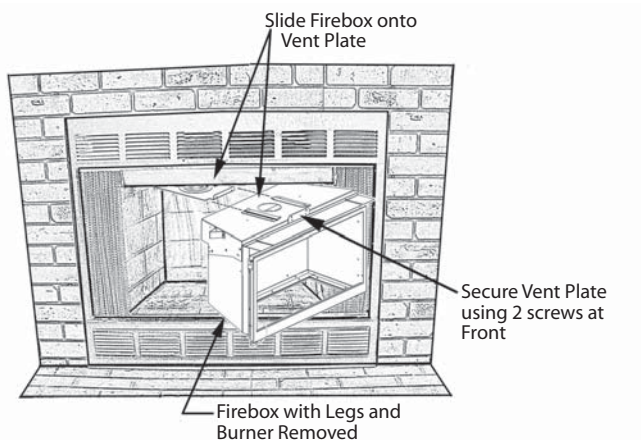
## Connect Vent Liner to Appliance

The vent plate will ultimately locate approximately 19" above the base of the firebox once inserted.

1. Trim the liner accordingly so it will not be too long once the firebox is raised.
2. Connect the liner to the vent plate using the gear clamp provided.
3. Stretch the liner down and slide the firebox onto the vent plate.



4. Secure the vent plate to the firebox using 2 screws through the front tab.



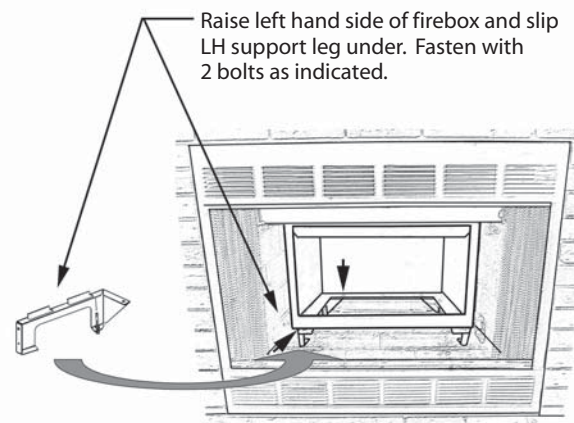
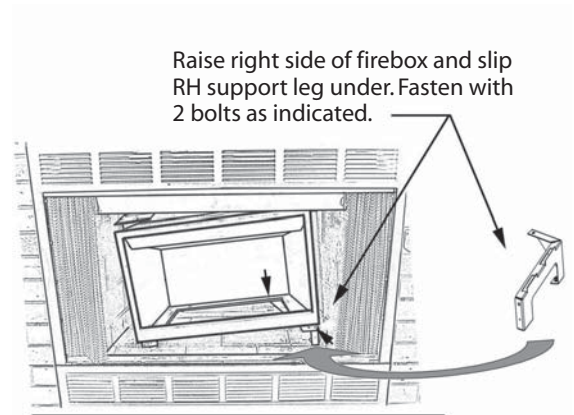
**NOTE:** When installing into larger fireplaces, the RF24 may be connected to the liner while sitting out on the hearth or inside the fireplace without removing the vent plate.

The support legs may also be left in place if the fireplace is large enough.

If the liner is connected to the firebox on the hearth, it will be necessary to pull the slack liner up from the top of the chimney after the firebox is installed.

## Re-install Support Legs (if removed)

With the firebox recessed behind the smoke curtain of the existing fireplace, raise the firebox and place the individual support legs under the firebox. Placing a temporary shim under the firebox, such as a 2" x 4", may help while positioning the support legs. Tabs are provided on the support legs to help position them.



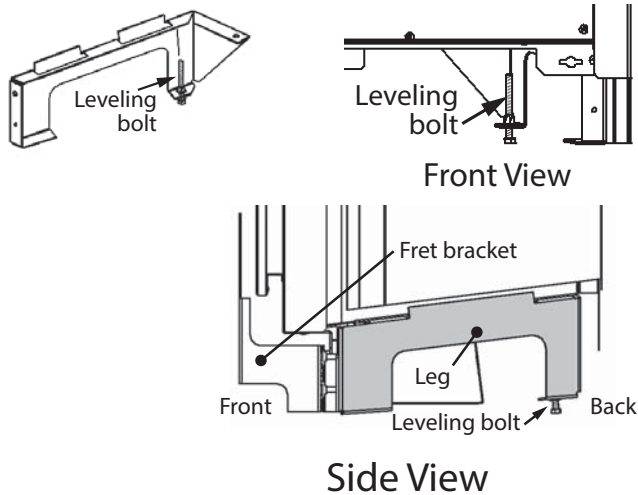
Fasten the support legs at the points indicated by the arrows using the bolts provided (2 per side).



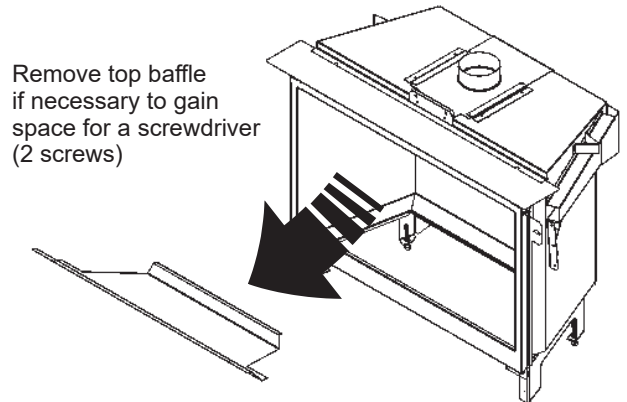
## Installation

### Level Appliance in Hearth

The backside of each support leg has a leveling bolt. If necessary, adjust the level of the firebox in the hearth.



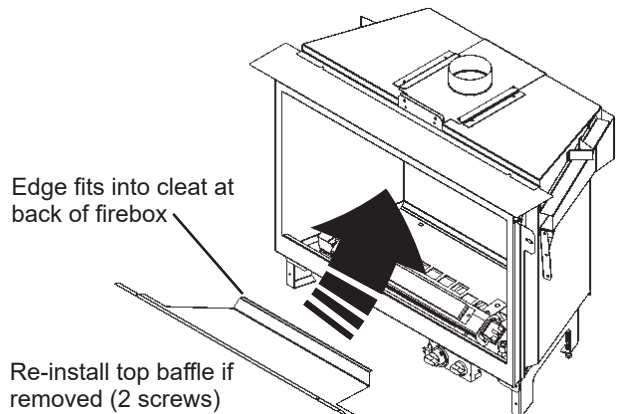
**Note:** The upper baffle may be removed to gain more room for the screwdriver to install the rear screws.



### Connect Gas Line and Test Appliance

Connect the gas line to the burner module. Check for leaks, purge the line, and test-fire the unit before installing the window or proceeding with the remainder of the install—see *Connect Gas Supply* section.

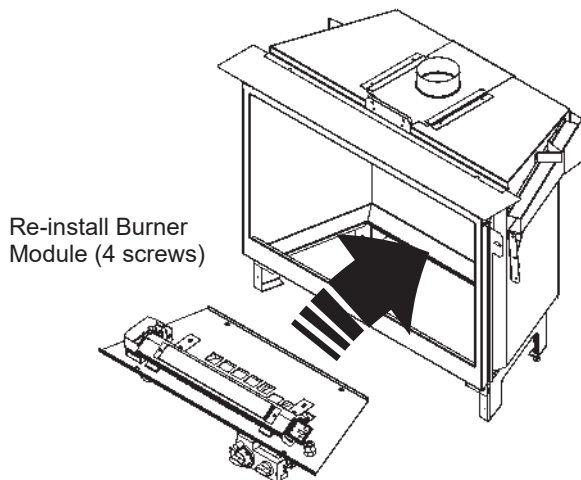
### Re-install Top Baffle (if removed)



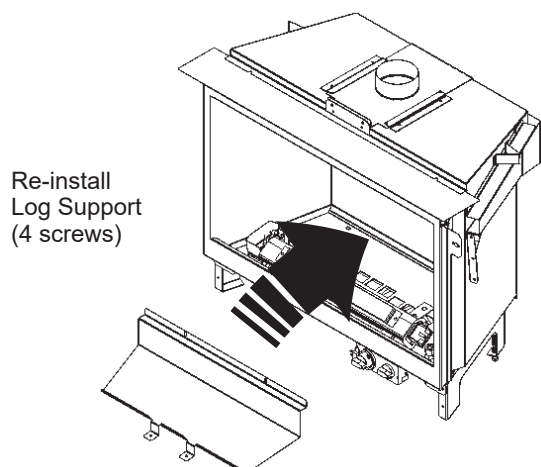
### Re-install Burner Module

**Note:** If the circulating fan is to be installed it should be done at this point before installing the burner module. See instructions packaged with the fan for details of the fan installation.

Reinstall the burner module using the 4 screws removed previously.



### Re-install Log Support

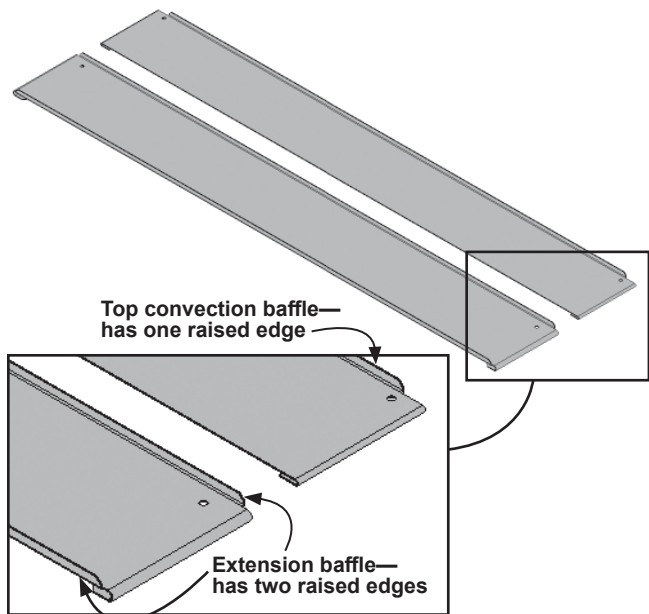


# Installation

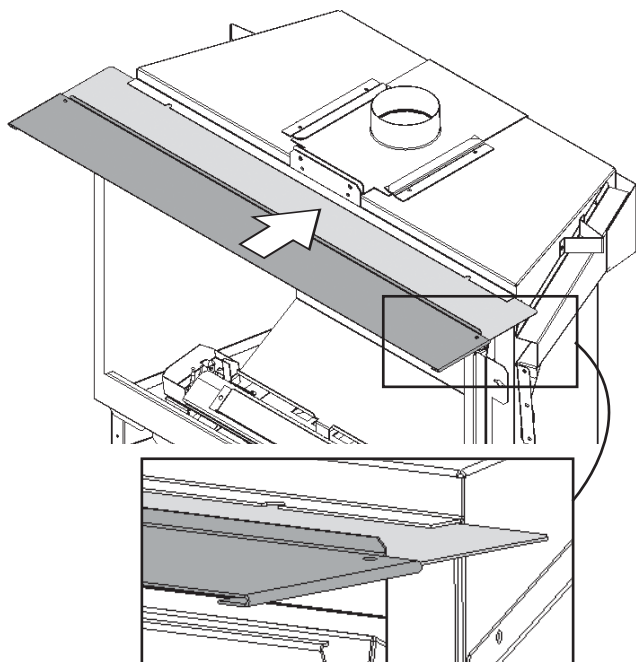
## Install Top Convection Baffle and Extension

**Position the firebox as far back as possible** within the existing fireplace to allow ample space at front for the fret and to allow convection air to flow under the smoke curtain of the existing fireplace.

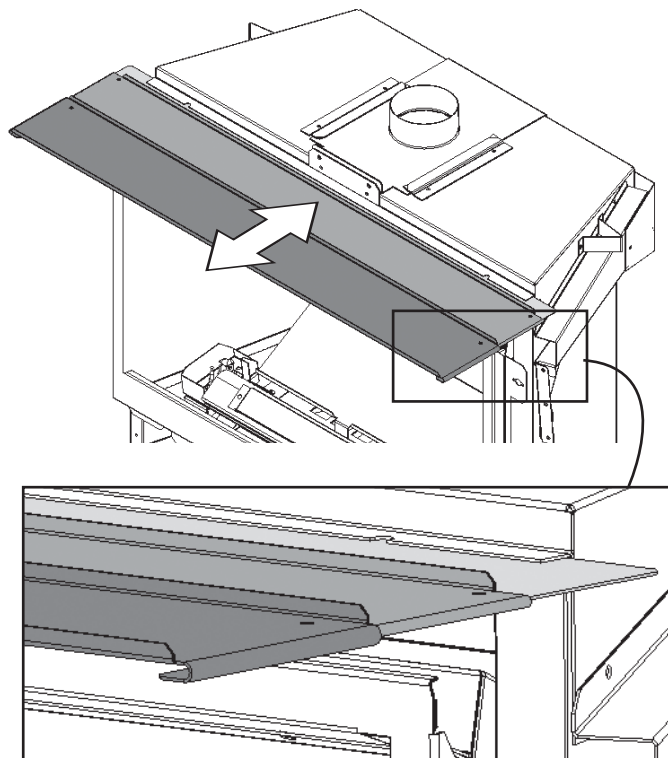
1. Identify top convection baffle and extension. The extension has two raised edges.



2. Slide the top convection baffle, channels downward, on top of the firebox baffle.



3. Slide the extension, channels downward, over the edge of the convection baffle. Keep the extension baffle **as far forward as possible**, angled down if possible, to force the air under the smoke curtain.



# Installation

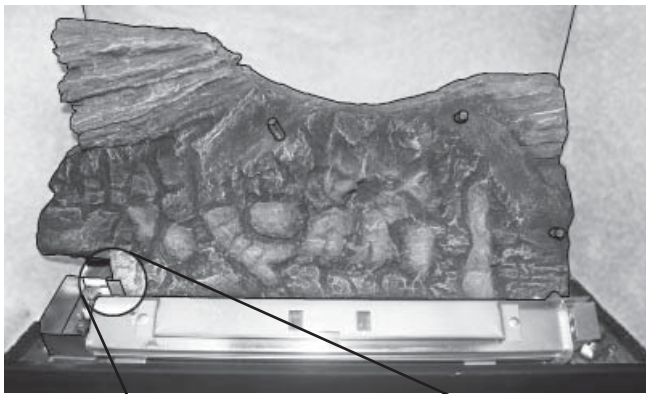
## Install Traditional Log Set MF28LSK

### Material required

- Traditional Log Set containing:
  - 6 logs
  - Gloves, if desired

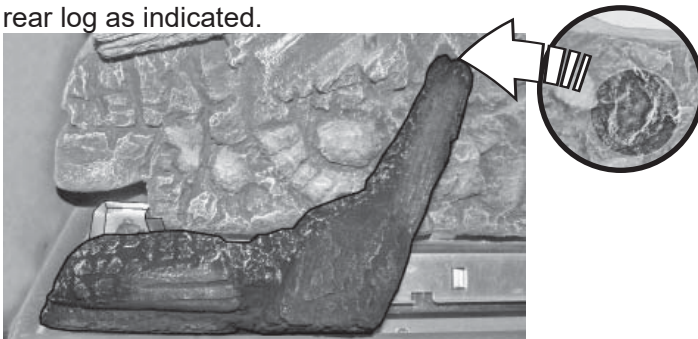
Unpack the ceramic logs very carefully to avoid damaging their fragile material. Install the logs as shown below. **Please note that the position of the logs is critical to insure the good performance of the appliance.**

1. Place the rear log on the sheet metal support. Pull it forward until the notch in the underside of the log sits against the front edge of the sheet metal support. Slide the log towards the left hand side until the notch in the log touches the right angled return edge of the pilot shield as indicated.

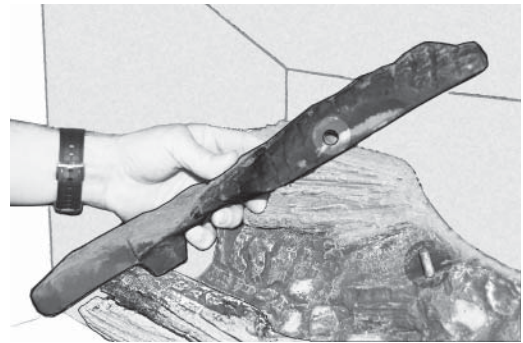


Rear log pushed to the left abuts the pilot shield

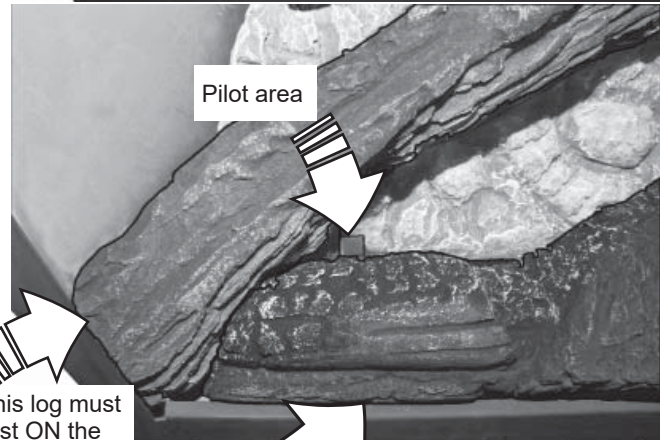
2. Place the front left log on the burner. Slide it towards the left until its narrow end rests in the notch of the rear log as indicated.



3. Place the top left log on the pin of the rear log. The bottom of the log rests on the left side end of the front left log just installed.



**Note:** Make sure the lower end of the top log rests on the front log as indicated and does not fall below in the firebox.



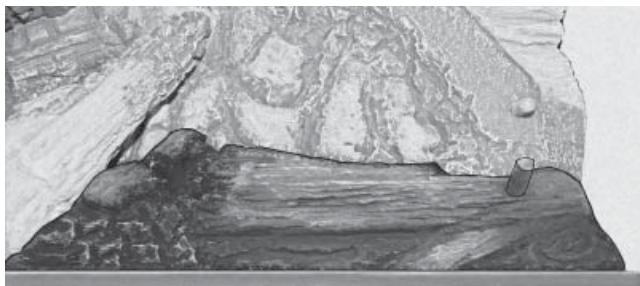
This log must rest ON the front log

Front log

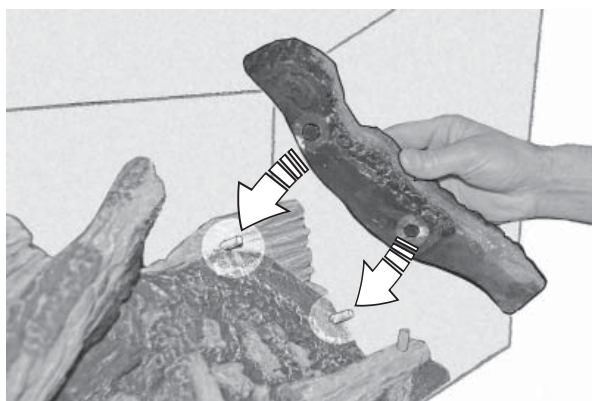


# Installation

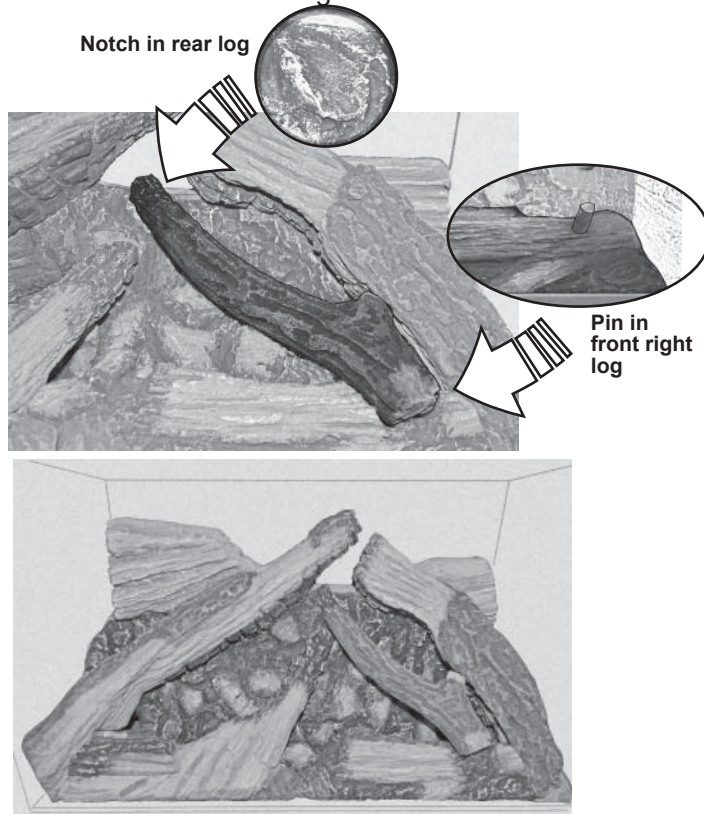
4. Place the front right log on the burner and slide it to the left against the front left log.



5. Locate the top right log on the two pins on the right side of the rear log. Ensure a tight fit against the flat area around the pins in the rear log.



6. Place the lower end of the center right log onto the pin on the front right log. Rest the narrow end in the notch into the rear log.



## Install Driftwood Set MF28DWK

### Material required

- Driftwood Kit containing:
  - 1 ceramic platform
  - 5 logs
  - 6 pebbles
- Gloves, if desired

### Installation

Unpack the kit carefully to avoid damaging the fragile pieces. Install the kit as shown below. **Please note that the position of the logs is critical to insure the good performance of the appliance.**

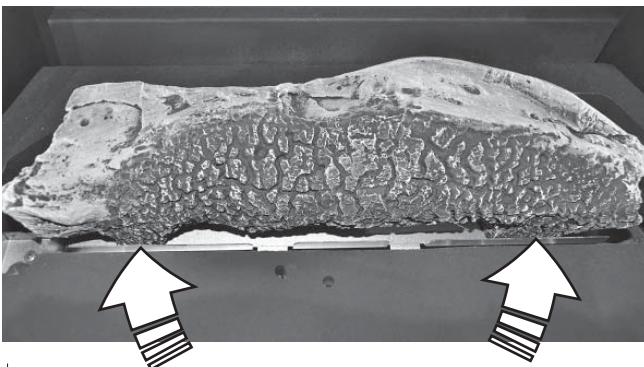
#### Platform

Insert the platform sideways into the firebox and place it on top of the burner.

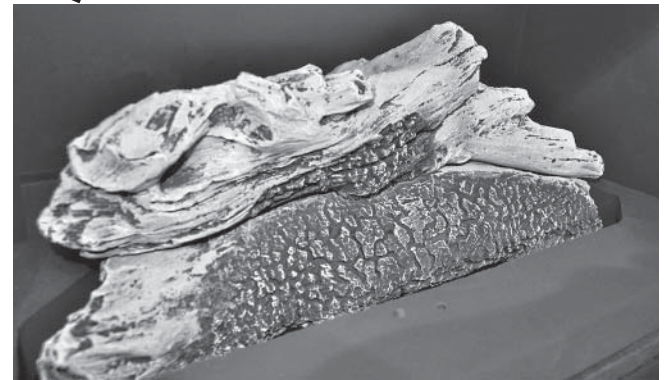
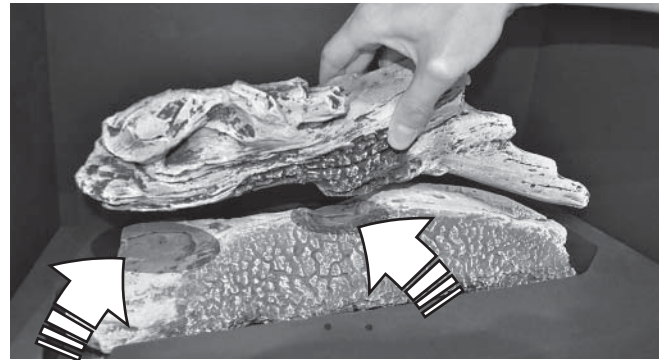


#### Logs

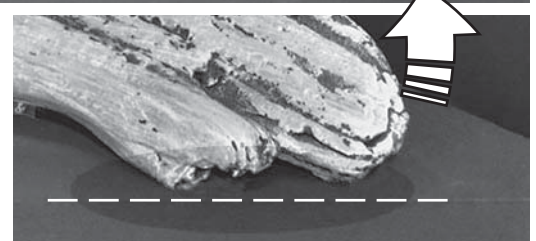
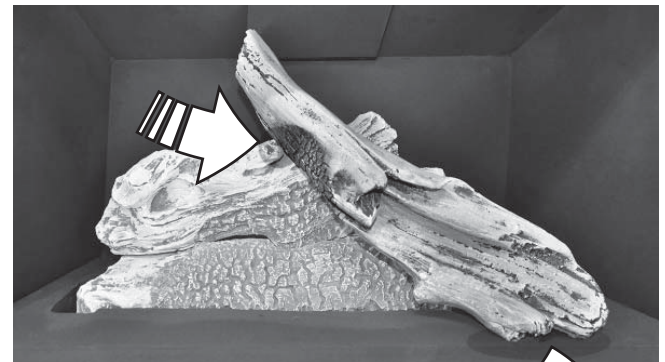
1. Identify the base log and place it in the cavity of the ceramic platform. The protruding parts of the log in the front should rest against the lip of the sheet metal log support behind the burner.



2. Identify the rear log and place it on top of the base log locating it into the notches on top of the log. Pull the log forward so it is locked in position.



3. Identify the right side cross log, the longest, and place it across the rear log. The narrow end of the log rests in a notch of the rear log. The wide end of the log lays flat on the platform, flush with the edge as indicated.



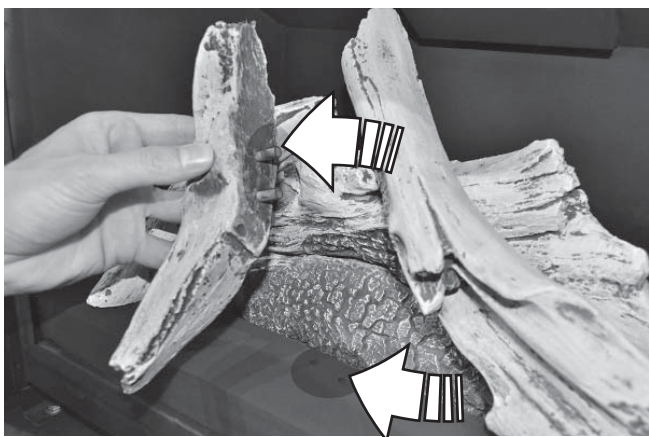


## Installation

4. Identify the left side cross log which has one pin at one end. Insert the pin in the hole at the front left of the platform and rests the top part of the log into the notch of the rear log as indicated.



5. Place the front log inserting its two pins into the two holes at the front of the platform. The ends of the log should be oriented towards the front as the log should not hang over the inside edge of the platform.



### Pebbles

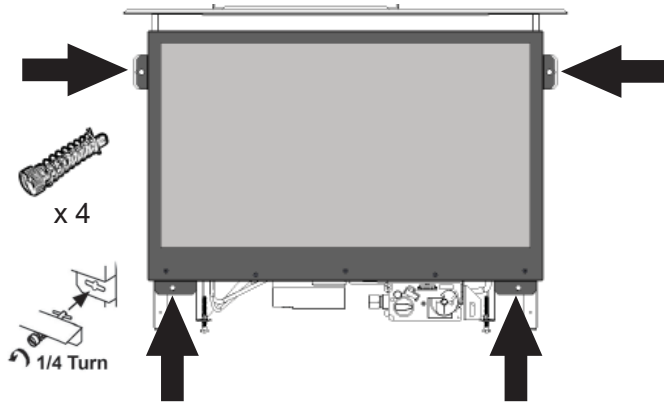
Six pebbles are supplied as decorative elements. If used, they should be placed on the platform only. We suggest to place the larger ones to cover the inside edge of the platform and place others randomly. Not all of them have to be used.



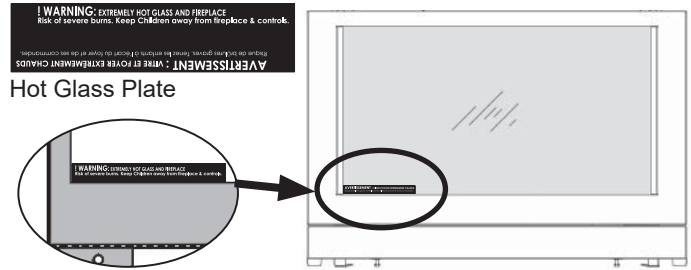
## Installation

### Refit Window

- Hook the glass window to the firebox then fasten the four studs pushing and turning them 90 degrees. **Verify that each stud is properly hooked by feeling with your fingers and ensuring the pin of the bolt is hooked to the fireplace's flange.**



- If the Hot Glass Warning plate has been removed from the front lower corner of the window, reinstall it by sliding it between the glass and the frame as indicated.



### Install Remote Control

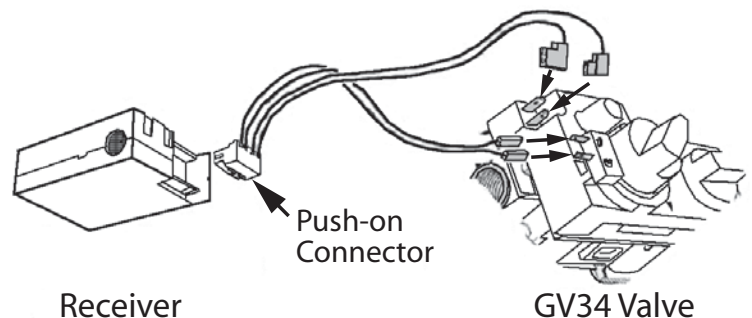
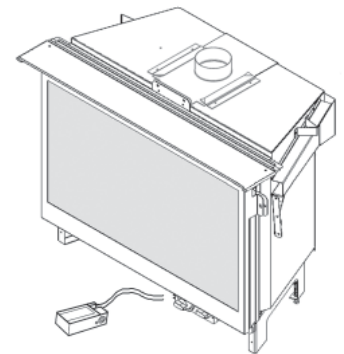
#### CAUTION

**DO NOT PUT BATTERIES IN THE REMOTE CONTROL RECEIVER until the wires are connected to the burner control unit as short-circuit could result in the destruction of the electrical components.**

#### CAUTION

**DO NOT USE** a screwdriver or other metallic object to remove the batteries from the receiver or the handset! This could cause a short circuit to the receiver.

- Connect the wiring harness to the receiver box, by pushing the wire connector on to the receiver circuit board. The plug will only go on one way so please ensure that the wires are pointing up and slot in the board is in line with the tab on the wiring harness plug.
- Connect wires as shown. Please note that the "L" connectors are different sizes, the smaller one fits to the lower connection and the larger one the top connection on the top left hand side of the valve. The other two wire connectors can be fitted to either terminal located to the left of the flame control button.
- Remove the remote control receiver lid.
- Fit four AA 1.5 V alkaline batteries.
- Place the remote control receiver on the base of the fireplace beside the valve.
- Fit the 9 V alkaline battery to the handset transmitter.



**Remote control operating instructions are on pages 8–9 of this manual.**

# Installation

## Check Operation

Turn the fireplace flame up and down using the remote control to confirm that the full range of inputs is achieved—see the remote control operation instructions on pages 8–9.

## Adjust Aeration (if necessary)

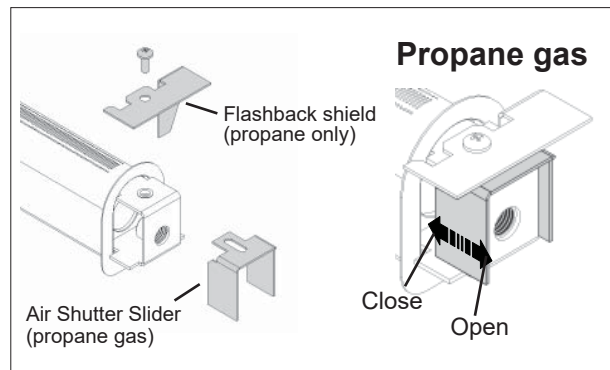
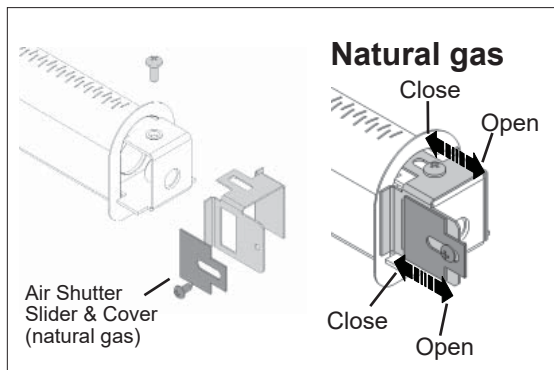
Light the fire and allow the unit to warm up for 10–15 minutes to evaluate the flame picture. The burner is equipped with an adjustable shutter to control primary aeration. See the figures below. The shutter is factory-set to an aeration gap which will give optimum performance for the vast majority of installations.

Depending of fuel bed used, altitude and other considerations, the flame picture may be improved by adjusting the aeration. The need for adjustment should be determined only by operating the appliance with the fuel bed and window installed and evaluating the flame picture after a 15-minute warm-up.

**Increasing aeration** will cause the flames to appear more transparent and blue making the ceramic logs glow more.

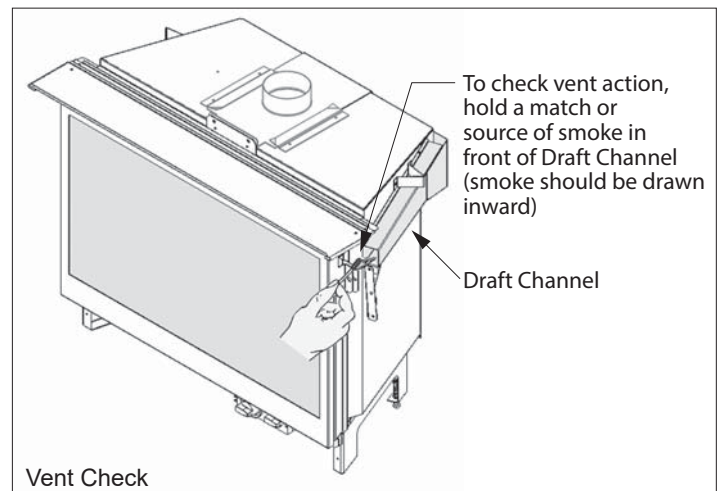
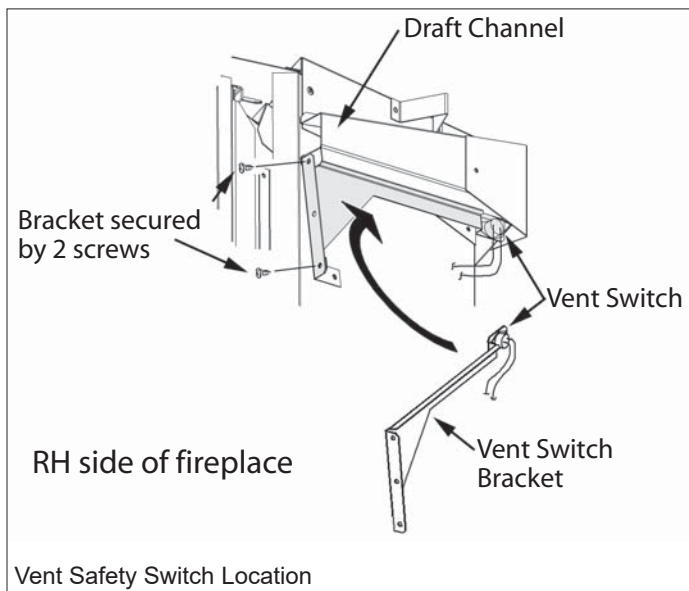
**Decreasing aeration** will cause the flames to appear more yellow or orange making the ceramic logs glow less. **Too little aeration may result in black carbon forming and dropping into the firebox.**

## Air Shutter



## Check Vent Safety Switch

This unit is equipped with a vent safety switch, located on the right side of the draft hood, which will shut the burner off if the vent is not functioning properly. Use a match or a source of smoke at the front of the draft channel to check direction of flow in the vent. Access to the vent switch for servicing is shown below.





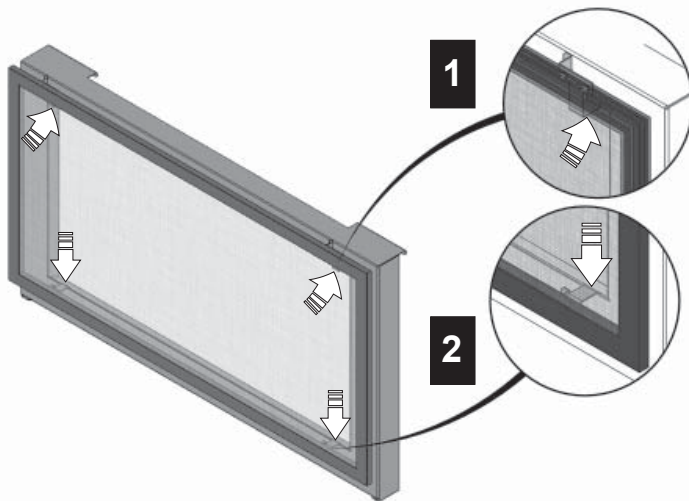
## Installation

### Install Barrier Screen to Window Cover

A barrier screen is supplied with this appliance to install on the Retrofire window cover. The barrier screen is designed specifically to prevent any contact with the glass of the fireplace which becomes hot during operation and remains hot when cooling.

It is easier to install the screen on the window cover first, before hooking the window cover to the fireplace:

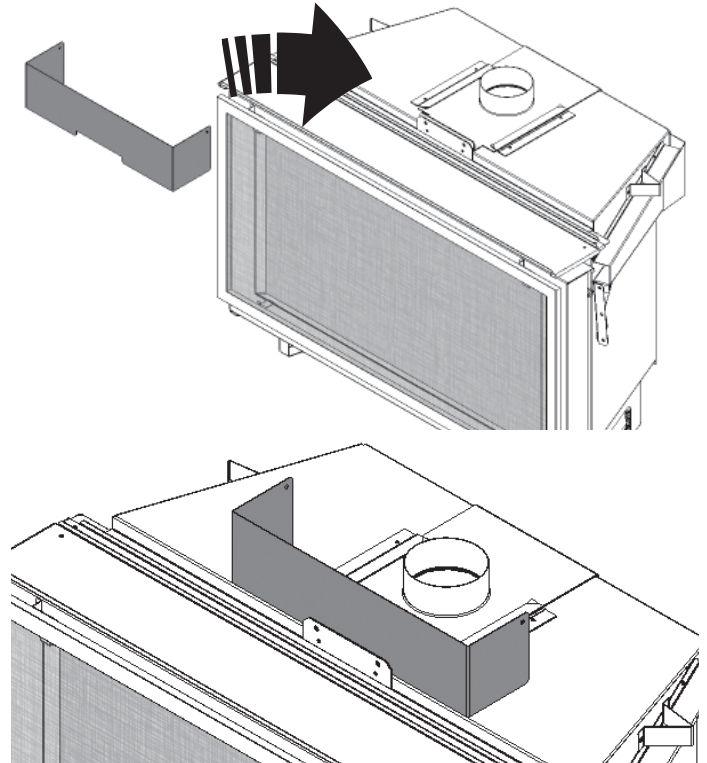
1. Hook the top of the screen by inserting the tabs into the slots in the window cover.
2. Push the screen up and insert the lower tabs into the slots of the window cover. Pull the screen down to ensure the lower tabs are well inserted.



### Install Top Vent Shield (if necessary)

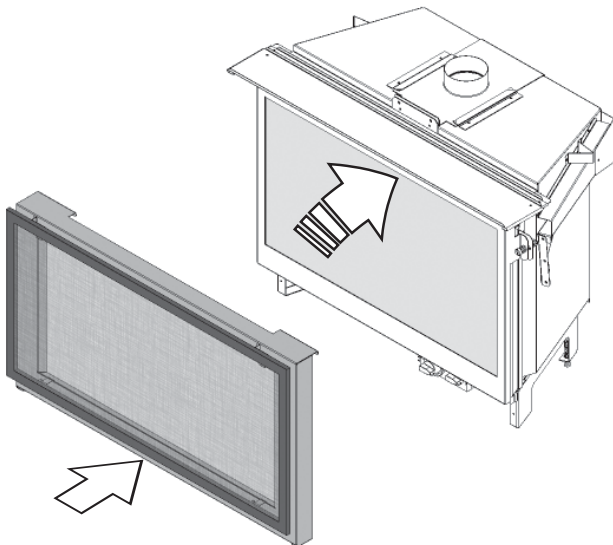
The top vent shield is designed to install on top of the firebox in front of the vent plate to hide the vent plate and vent liners when visible.

Cut the top of the vent shield to size if necessary and place it in front of the vent plate as indicated..



### Install Window Cover and Barrier Screen

Hook the window cover with screen attached to the top of the firebox. Push the bottom against the firebox to attach the magnets.

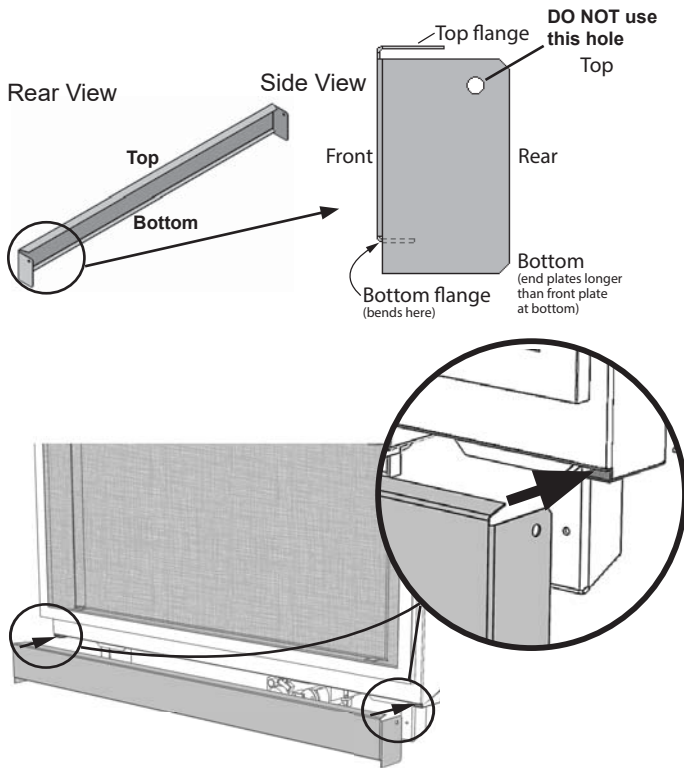


# Installation

## Install Bottom Cover or Cast Iron Fret

### Bottom Cover Installation

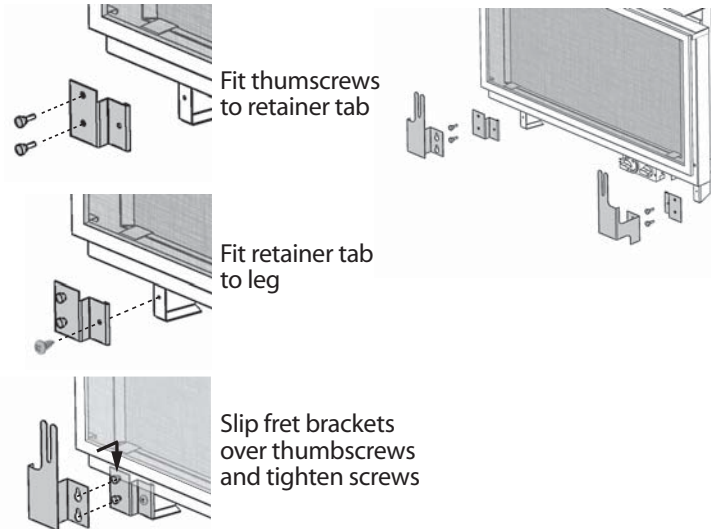
Slide the top flange of the bottom cover into slots located at the bottom corners of the window frame.



## Fret Installation

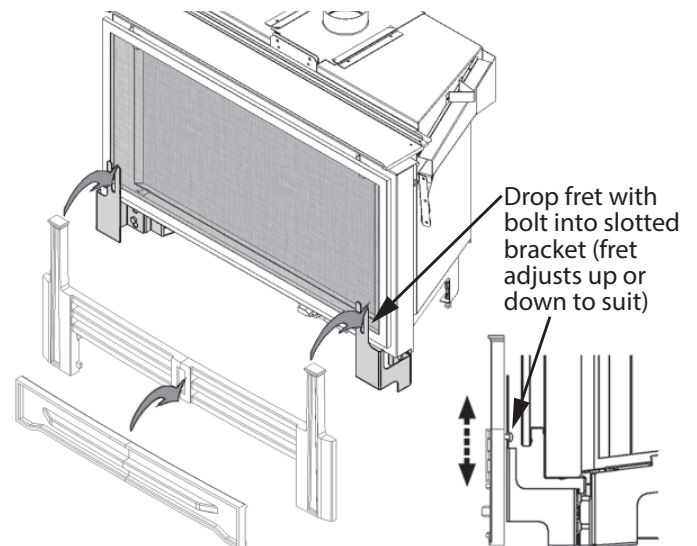
### Fret Brackets Installation RA24FK

1. Screw 2 thumbscrews into each retainer tab.
2. Fit the retainer tabs to each leg (1 screw per side).
3. Fit the slotted holes in the fret brackets over the thumbscrews, push fret brackets downwards and tighten the screws.



### Cast Iron Fret Installation

1. Adjust the screw heads on the back of fret to the thickness of the fret bracket.
2. Drop the fret into place while guiding the screw heads into the slots in the bracket.
3. Clip the ash pan cover onto the fret.





# Warranty

If you have a problem with this unit, please contact your dealer or supplier immediately. Under no circumstances should you attempt to service the unit in any way by yourself. The warranties in paragraphs 1 and 2 are provided only to the initial owner of this unit, are not transferable and are subject to the conditions and limitations in paragraphs 3, 4 and 5. Please review the conditions and limitations carefully and strictly follow their requirements.



## 1. Extended Warranty Coverage

For a period of up to ten (10) years, Miles Industries Ltd., (the "Company") or its appointed distributor will at its option pay the initial owner for the repair of, or will exchange the following parts or components which are found to be defective in material or workmanship under normal conditions of use and service:

Part or Component	Defect Covered	Maximum Warranty Period
Exterior steel casing	Corrosion	10 years
Glass	Loss of structural integrity	10 years
Cast iron parts	Corrosion	10 years
Firebox and heat exchanger	Corrosion (but not discoloration) causing loss of structural integrity	10 years

## 2. Two-Year Parts Warranty

In addition, for two (2) years from the date of purchase, the Company, at its option, can repair or exchange all parts and components not listed above but that are found to have a *bona fide* defect in material or workmanship under normal conditions of use.

## 3. Conditions and Limitations

- a) The warranty registration card must be completed by the initial owner and returned to the Company within 90 days of purchase. Alternatively, the warranty registration form may be filled out online at [www.valorfireplaces.com](http://www.valorfireplaces.com).
- b) Installation and maintenance must be performed by an authorized and trained dealer in accordance with the Company's installation instructions.
- c) This warranty is void where installation of the unit does not conform to all applicable codes including national and local gas appliance installation codes and building and fire codes.
- d) The owner must comply with all operating instructions.
- e) The Company is not responsible for the labor costs to remove defective parts or re-install repaired or replacement parts.
- f) The initial owner of the unit will be responsible for any shipping charges for replacement parts as well as travel time incurred by the dealer to perform the warranty work.
- g) This warranty applies to non-commercial use and service and is void if it is apparent that there is abuse, misuse, alteration, improper installation, accident or lack of maintenance to the unit.
- h) This warranty does not cover damage to the unit due to:
  - i) Improper installation, operational or environmental conditions.
  - ii) Inadequate ventilation in the area or competition for air from other household equipment or appliances.
  - iii) Chemicals, dampness, condensation, or sulphur in the fuel supply lines which exceeds industry standards.
- i) This warranty does not cover glass, log breakage or damage to the unit while in transit.
- j) The Company does not allow anyone to extend, alter or modify this warranty and assumes no responsibility for direct, indirect or consequential damages caused by the unit. State or provincial laws where the first purchaser or user resides may provide specific rights to extend this warranty and, if so, the Company's sole obligation under this warranty is to provide labor and/or materials in accordance with those laws.

## 4. Discharge of Liability

After two (2) years from the date of purchase, the Company may, at its option, fully discharge all obligations under this warranty by paying to the first owner the wholesale price of any defective parts.

## 5. No Other Warranty

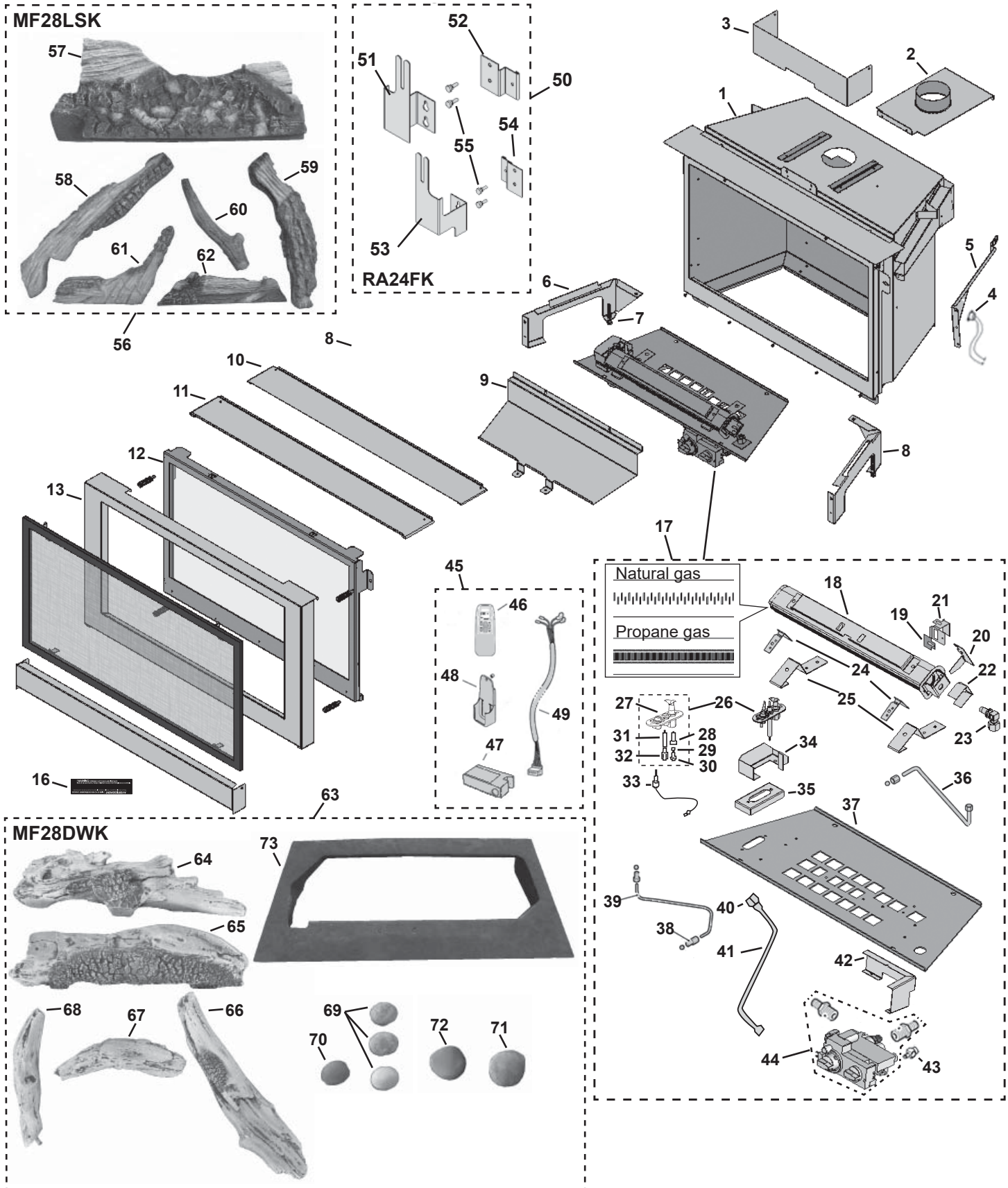
All obligations to repair this unit are defined in this warranty. Some states or provinces may specifically mandate additional warranties on the part of manufacturers, but in the absence of such specific legislation, there is no other warranty or obligation expressed or implied.

# Spare Parts

	Description	Part No.
1	Firebox Assembly	4006517AH
2	Vent Plate Assembly	4001010
3	Vent Shield	4006428BY
4	Vent Switch Assy	4000204
5	Vent Switch Bracket	4001008
6	Leg LH	4003884
7	Leveling Bolt (2)	4000242
8	Leg RH	4003885
9	Rear Log Support	4001890
10	Convection Baffle Slide	4006412BY
11	Convection Baffle Slide 2	4006413BY
12	Window Assembly	4006518
13	Window Cover	4006407BY
14	Barrier Screen	4006519
15	Bottom Cover	4002835
16	Hot Glass Warning Plate	4003093
17	Burner Tray Assy (natural gas)	4006508S
	Burner Tray Assy (propane gas)	4006509S
18	Burner (natural gas)	740K189
	Burner (propane gas)	740K190
19	Air Shutter Cover (natural gas)	4002346
20	Flashback Shield (propane gas)	3000371
21	Air Shutter Slider (natural gas)	4002345
22	Air Shutter Slider (propane gas)	320B293
23	Injector Elbow 82-580 (natural gas)	720A580
	Injector Elbow 92-200 (propane gas)	9730013
24	Spacer Angles (2)	4000355
25	Burner Mounts (2)	4000132
26	Pilot Assembly (natural gas)	4007220S
	Pilot Assembly (propane gas)	4007221S
27	Pilot Bracket	720A542
28	Pilot Injector—No 35 (natural gas)	4002511
	Pilot Injector—No 27 (propane gas)	720A195
29	Hooked Olive for Pilot Injector	720A196
30	Olive Nut—Pilot Pipe to Pilot Assembly	420K385
31	Electrode	4001856
32	Electrode Retaining Nut	4001855
33	Thermocouple	4000061
34	Pilot Shield	4000144

	Description	Part No.
35	Pilot Mount	4000138
36	Pipe—Valve to Main Burner (incl. olive & nuts)	4000065
37	Valve Tray	4006034
38	Break-off Olive Nut—Pilot Pipe to Valve	220K913
39	Pipe—Valve to Pilot	4000066
40	Inlet Connector	4000746
41	Inlet Pipe	030A224
42	Valve Mounting Bracket	4000141
43	Thermocurrent Interruptor	4001037
44	GV34 Complete Valve (natural gas)	4006634X
	GV34 Complete Valve (propane gas)	4006635X
45	Remote Control Kit	4006114
46	Handset	4000327
47	Receiver	4006113
48	Wall Bracket	9000008
49	Wiring Harness	4006115
50	Fret Kit	RA24FK
51	Fret Support LH	4003652BY
52	Retainer Tab LH	4003650
53	Fret Support RH	4003651BY
54	Retainer Tab RH	4003649
55	Thumbscrew # 10-32x1/2" (4)	4000753
56	Traditional Log Set	MF28LSK
57	Rear Log	4003803
58	Left Top Log	4003796
59	Right Top Log	4003797
60	Right Center Log	4003798
61	Left Front Log	4003800
62	Right Front Log	4003801
63	Driftwood Kit	MF28DVK
64	Rear Log	4005384
65	Base Log	4005383
66	RH Cross Log	4005381
67	Front Log	4005382
68	LH Cross Log	4005380
69	Small Beige Beach Pebble (3)	4003087
70	Small Grey Beach Pebble	4003086
71	Brown Beach Pebble	4003082
72	Grey Beach Pebble	4003083
73	Platform	4005385

**Spare Parts**



## Thank You ...

For purchasing a Valor by Miles Industries. Your new radiant gas heater is a technical appliance that must be installed by a qualified installer.

*Please fill in the information below. The information provided will be used for customer records only.*



### Fireplace Information

Model Number: RF24J  BN or  BP

Serial Number:

Date Purchase (yyyy-mm-dd):

Dealer:

### Customer Information

First Name:

Last Name:

### Contact Information

Email:

### Mailing Address

Address:

City:

Province/State:

Postal/Zip Code:

Country:

Cut out page, fill information, and mail to Miles Industries Ltd.

Online Warranty registration at [www.valorfireplaces.com](http://www.valorfireplaces.com)



Tape Shut



Fold here



Postage  
needed

Miles Industries Ltd.  
190 - 2255 Dollarton Highway  
North Vancouver, BC V7H 3B1  
Canada

Online Warranty registration at [www.valorfireplaces.com](http://www.valorfireplaces.com)



*Thank you for choosing a Valor Product*