

# Valor Portrait

Dec 2022

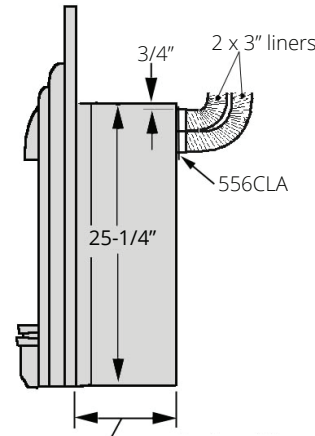
1/2

## DV—Venting, Co-Linear Conversion

### Co-Linear Vent Installations into Existing Solid-Fuel Burning Fireplaces and Chimneys

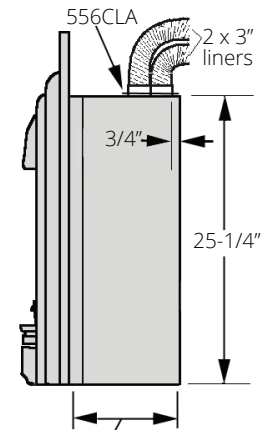
Co-linear adapter may be installed as top or rear facing outlet. See fireplace's installation manual.

- Co-linear and co-axial venting may be combined in a single venting system provided conversion is done only once using approved components and maintaining proper clearances;
- Three-inch liners may only be installed into solid-fuel burning fireplaces and chimney systems (no combustible construction);
- The appliance must not be connected to a chimney flue serving a separate solid-fuel burning appliance;
- Restrictors not required for co-linear sidewall venting with less than 5'-0" vertical rise. For restrictor settings beyond 5'-0" refer to chart in fireplace's installation manual.



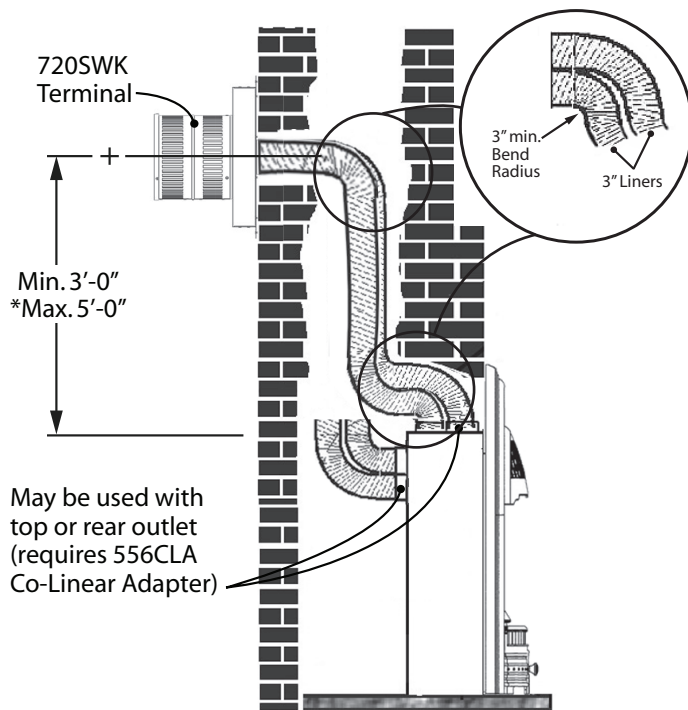
9 to 11-1/2" depending of front used - see front manual

556CLA Rear Mounted



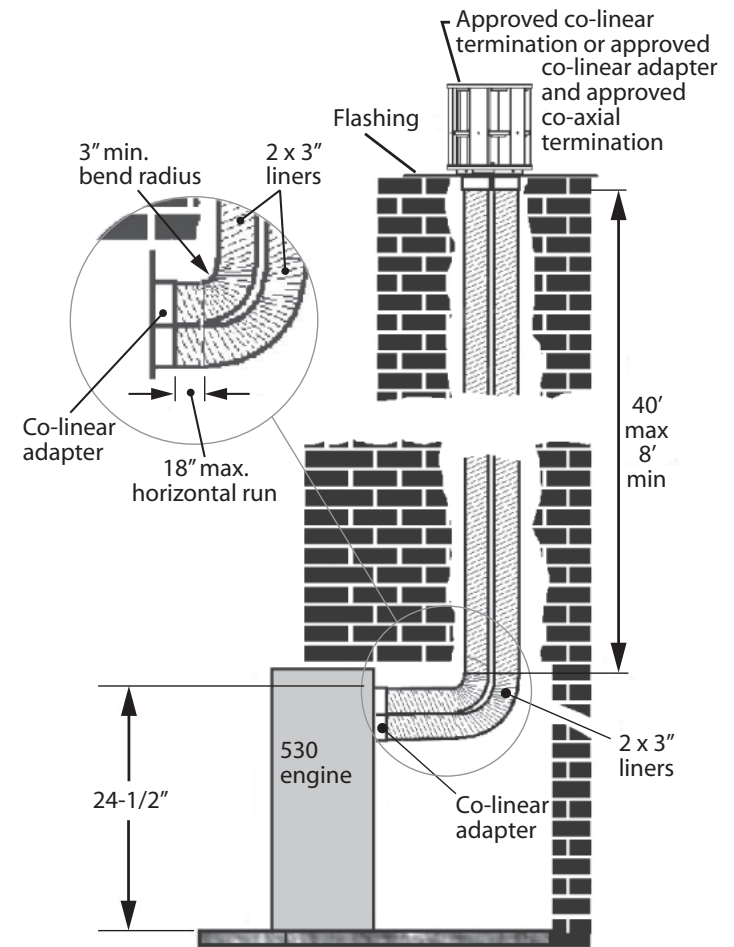
9 to 11-1/2" depending of front used - see front manual

556CLA Top Mounted



\* May be extended beyond 5'-0". Refer to 720SWK installation instructions.

Sidewall co-linear installation into existing F/P using 720SWK—for units with logs, rocks, driftwood ONLY.



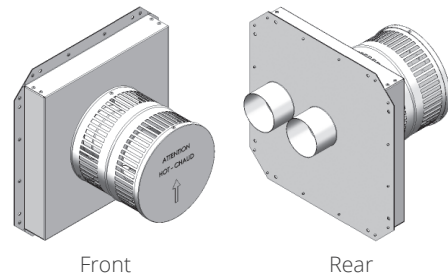
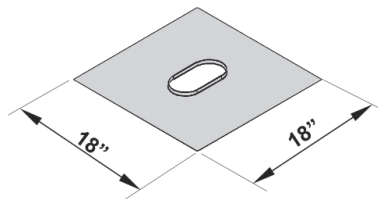
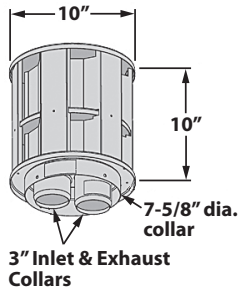
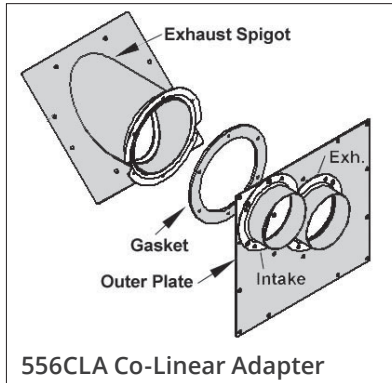
Vertical co-linear installation into existing F/P

# valor Portrait

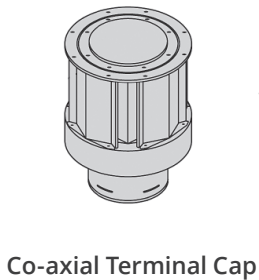
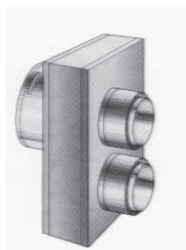
Dec 2022  
2/2

## DV—Venting, Co-Linear Conversion

### Co-Linear Venting Components



### Alternate to 556CLA/559CLT/559FSK Conversion for vertical terminations



with...

