

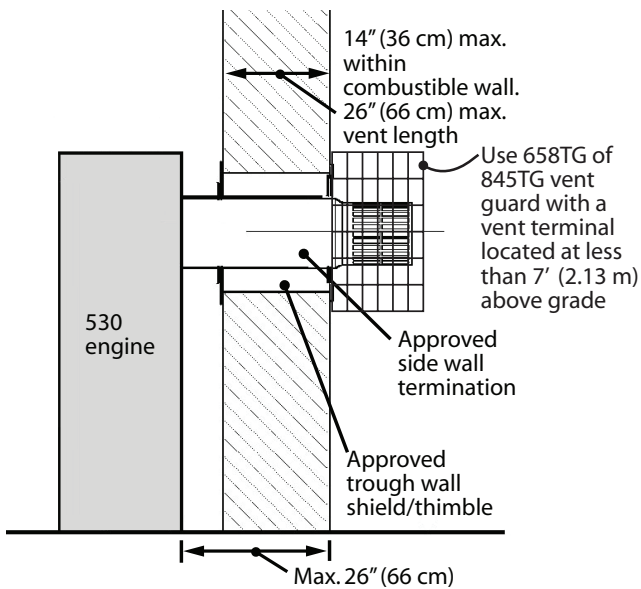
# Valor<sup>®</sup> Portrait

Dec 2022

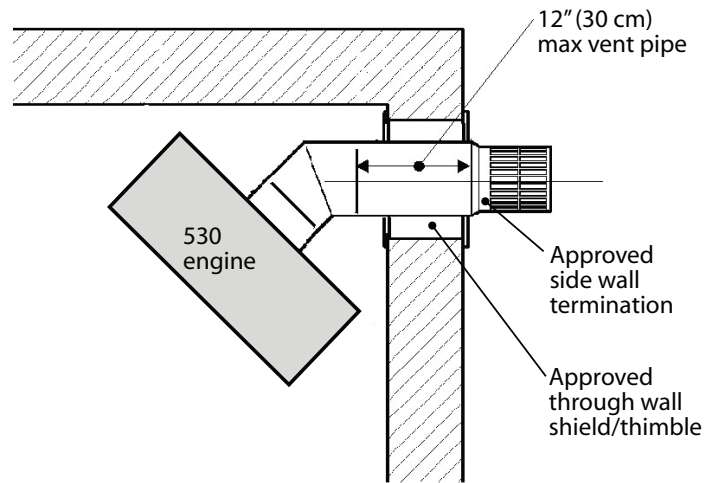
1/3

## DV—Venting, Co-Axial, Rear Vent, No Rise

### Rear Vent—No Vertical Rise



Rear vent—no vertical rise



Corner rear vent—no vertical rise

# Valor Portrait

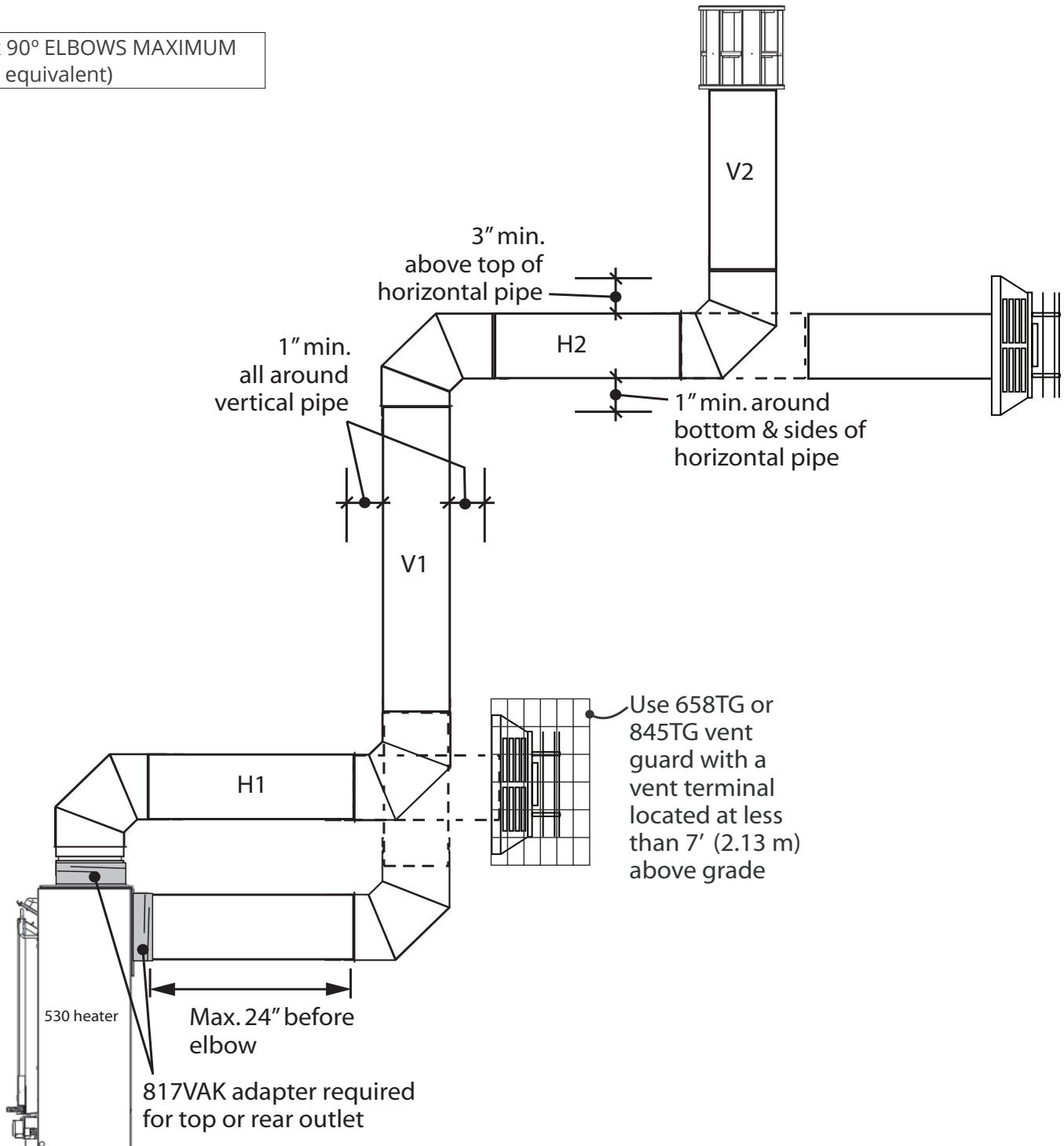
Dec 2022

2/3

## DV—Venting, Co-Axial with Vertical Rise

### Venting Configurations

4 x 90° ELBOWS MAXIMUM  
(or equivalent)



## DV—Venting, Co-Axial with Vertical Rise

### Venting Chart

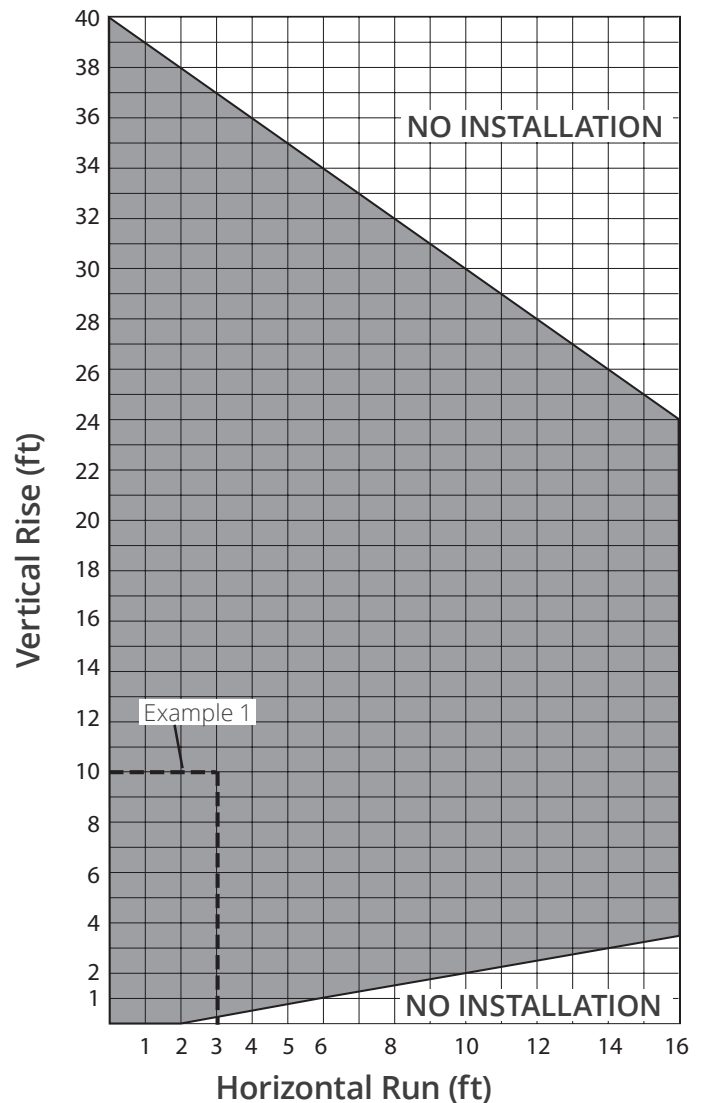
#### How to Read the Venting Chart

The charts below apply to co-axial roof or wall termination in installations with vertical rise.

1. The total length of the vent pipe cannot exceed 40 feet.
2. The minimum vertical height with roof termination is 8 feet.
3. Any combination of rise and run can be used as long as they are within the allowable limits shown on the chart below.
4. A maximum of 4 x 90 degrees elbows—or equivalent (2 x 45 degrees = 90 degrees)—can be used.
5. Each 90 degrees elbow installed on the horizontal plane is equivalent to a 3 feet horizontal pipe; therefore, 3 feet must be subtracted from allowable horizontal run. (45 degrees elbow is equivalent to 18 inches horizontal pipe.)
6. All horizontal pipe runs must be graded 1/4 inch per foot upwards in the direction of the exhaust flow. The final pipe length, when terminating through the wall may be graded downwards slightly to prevent water migration.
7. Maximum co-linear venting is 40 feet.
8. A restrictor is required for all installations—see fireplace's installation manual for more information.

#### Allowable Co-Axial Vent Configurations with Vertical Rise

Top or Rear outlet



Example 1  
 Value V = V1 (6') + V2 (4') = 10'  
 Value H = H1 (2') + H2 (1') = 3'