

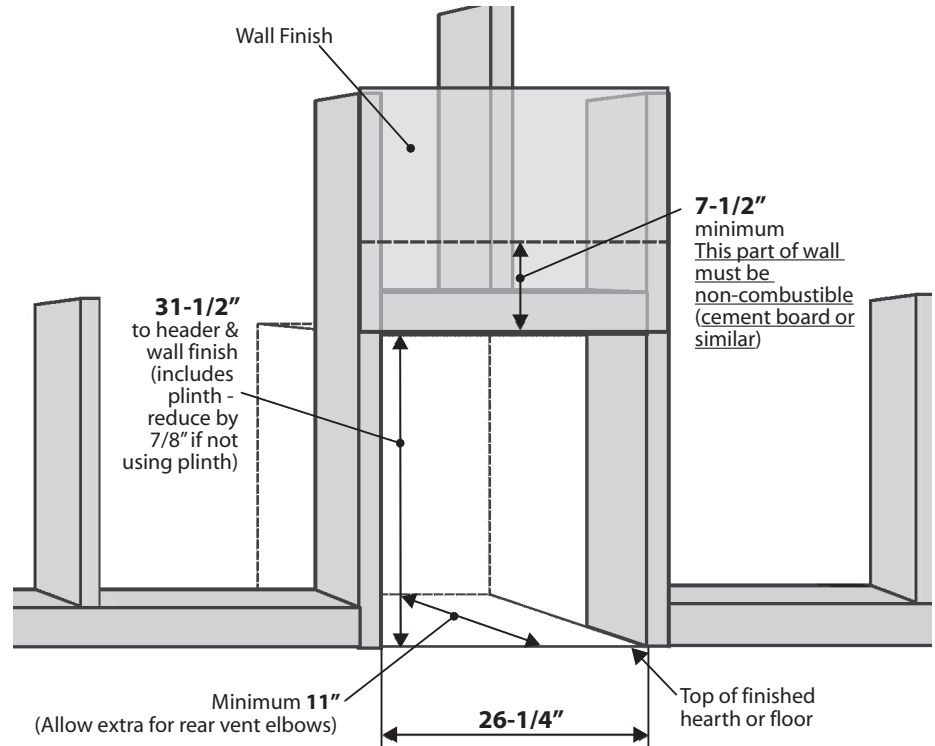
# Valor<sup>®</sup> Portrait

Dec 2022

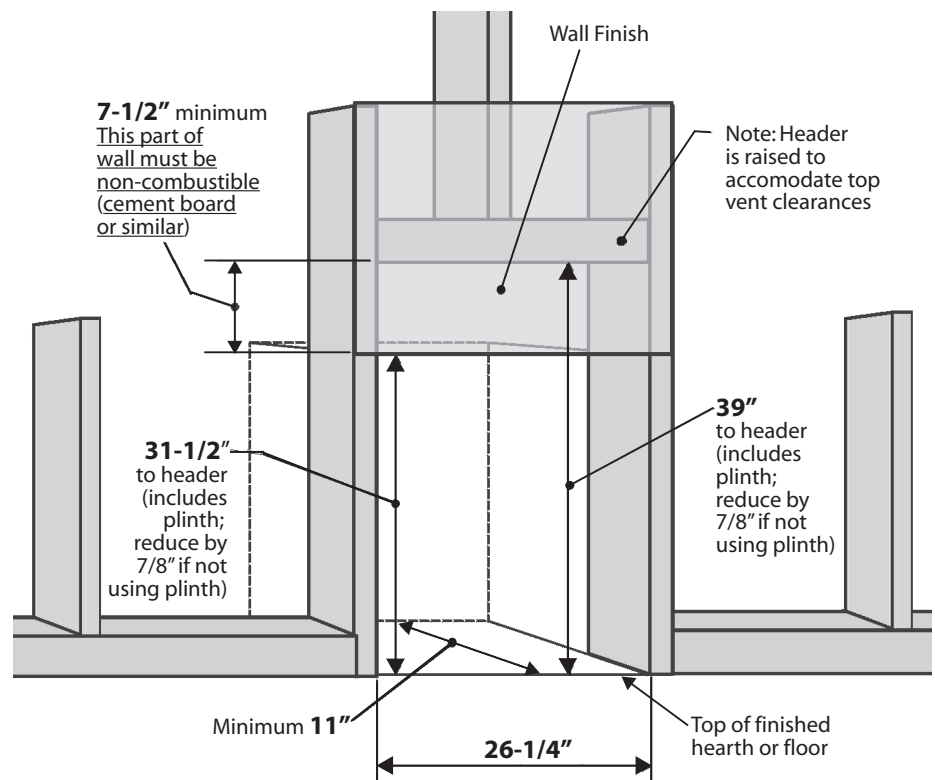
1/3

## ZC 536 President—Framing

### Rear vent framing



### Top vent framing



# Valor® Portrait

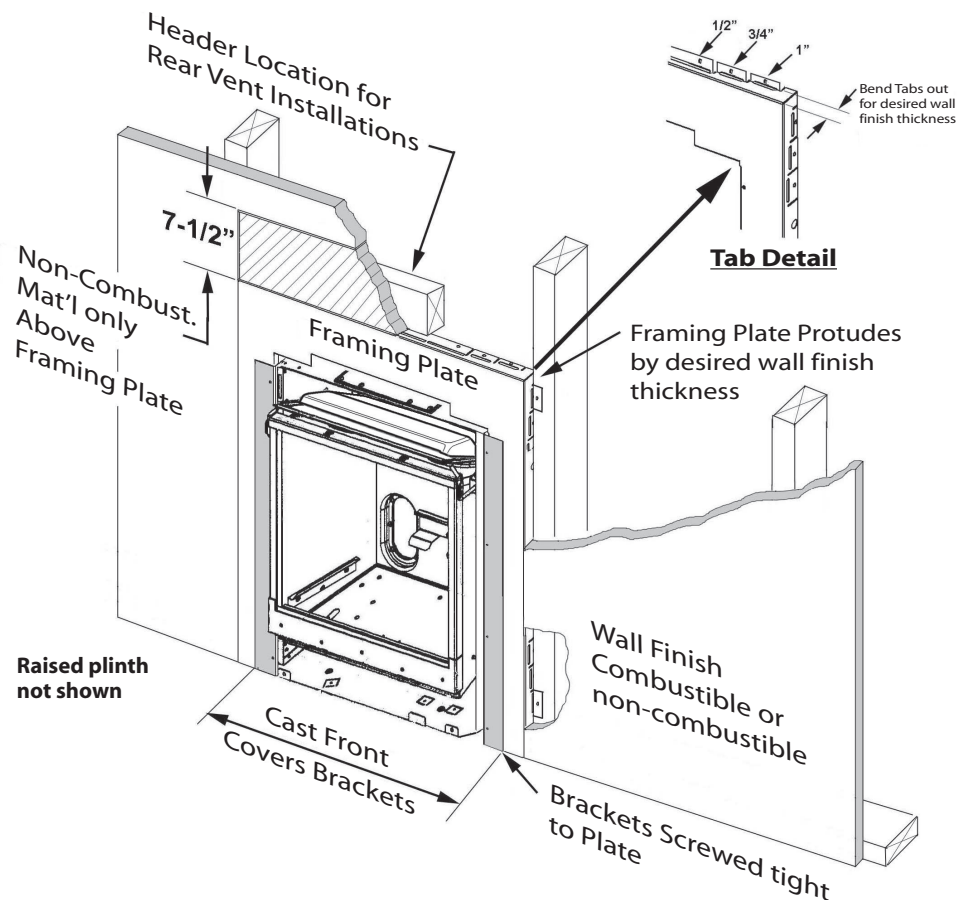
Dec 2022  
2/3

## ZC 536 President—Wall Finish

The President ZC Front comes supplied with a framing plate for zero clearance applications. The framing plate is painted black and may be left exposed beyond the perimeter of the cast iron front or may be covered with non-combustible material if desired.

- A non-combustible hearth is not necessary in front of this appliance.
- The appliance is approved to install directly on wood sub-flooring.
- Any framing construction must be clear of stand-offs.
- Be aware that the area of 7½" x 26¼" (19 cm x 67 cm) immediately above the framing plate must be constructed with non-combustible materials as shown in figures.

### Framing plate exposed



# Valor<sup>®</sup> Portrait

Dec 2022

3/3

## ZC 536 President—Wall Finish

Framing plate covered

