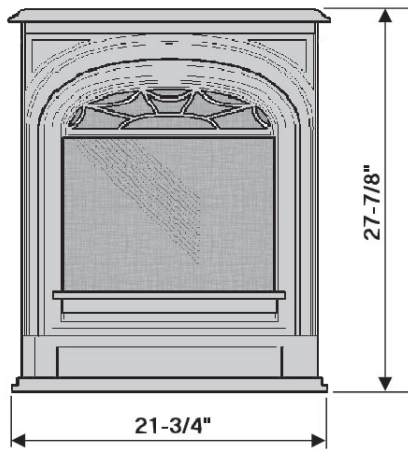
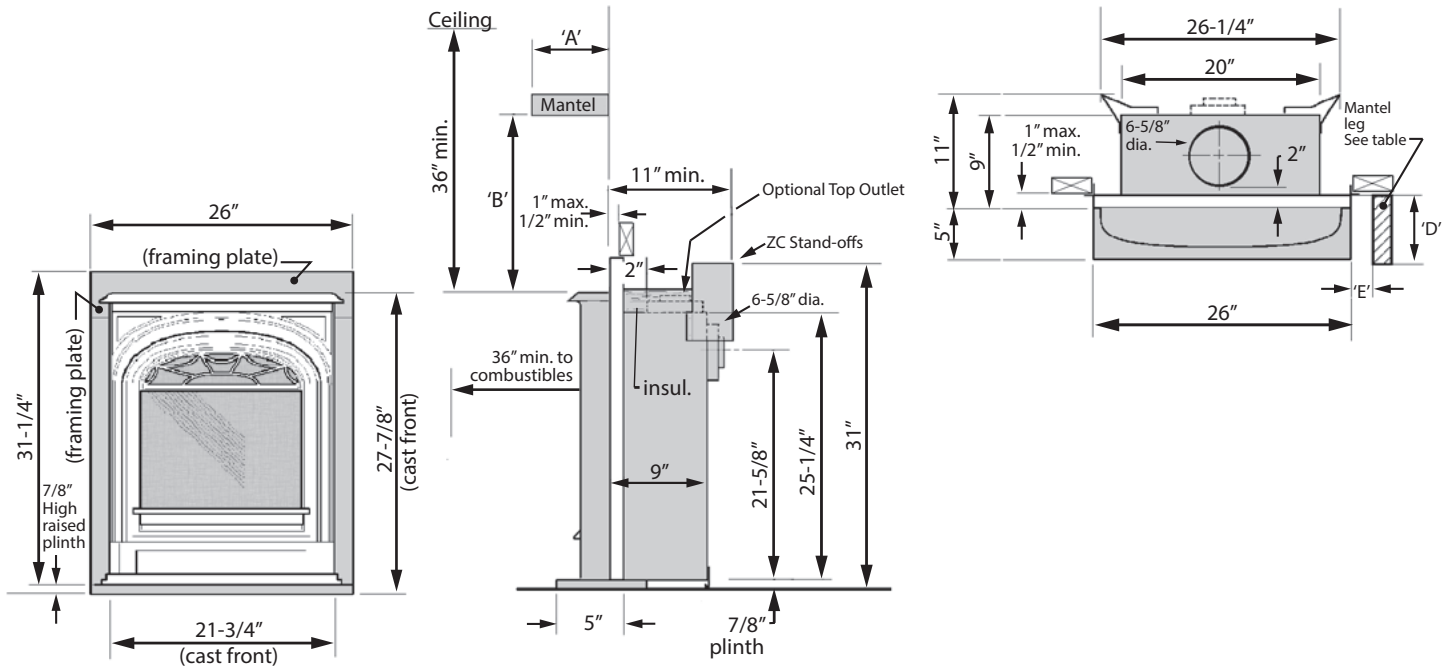


# Valor<sup>®</sup> Portrait

Dec 2022

1/1

## ZC 536 President—Dimensions & Clearances



Mantel depth "A"	Min. clearance "B"
Up to 7"	4"
Above 7" up to 8"	5"
Above 8" up to 9"	7"
Above 9" up to 10"	8"
Above 10" up to 12"	9"
More than 12"	9"+extra 1" for every 1" depth above 12"

Mantel leg projection "D"	Min. clearance from appliance side "E"
Up to 8"	0"
More than 8"	6"