

## Vent Location

The vent terminal must be located through the roof. This direct vent appliance is designed to operate when an undisturbed airflow hits the outside vent terminal from any direction. Check local codes for allowable vertical vent termination.

## Venting Table

Maximum vertical height	40 ft (measured to bottom of termination)
Minimum vertical height	10 ft (measured to bottom of termination)
Maximum horizontal run	4 ft (measured center to center of pipe)
Maximum offset angle	45° (sweeping bend to allow for obstructions)

## Venting Notes

Where possible, avoid splicing flex pipes. If splices are required, use an approved connector and seal joints with *RTV high temp sealant*.

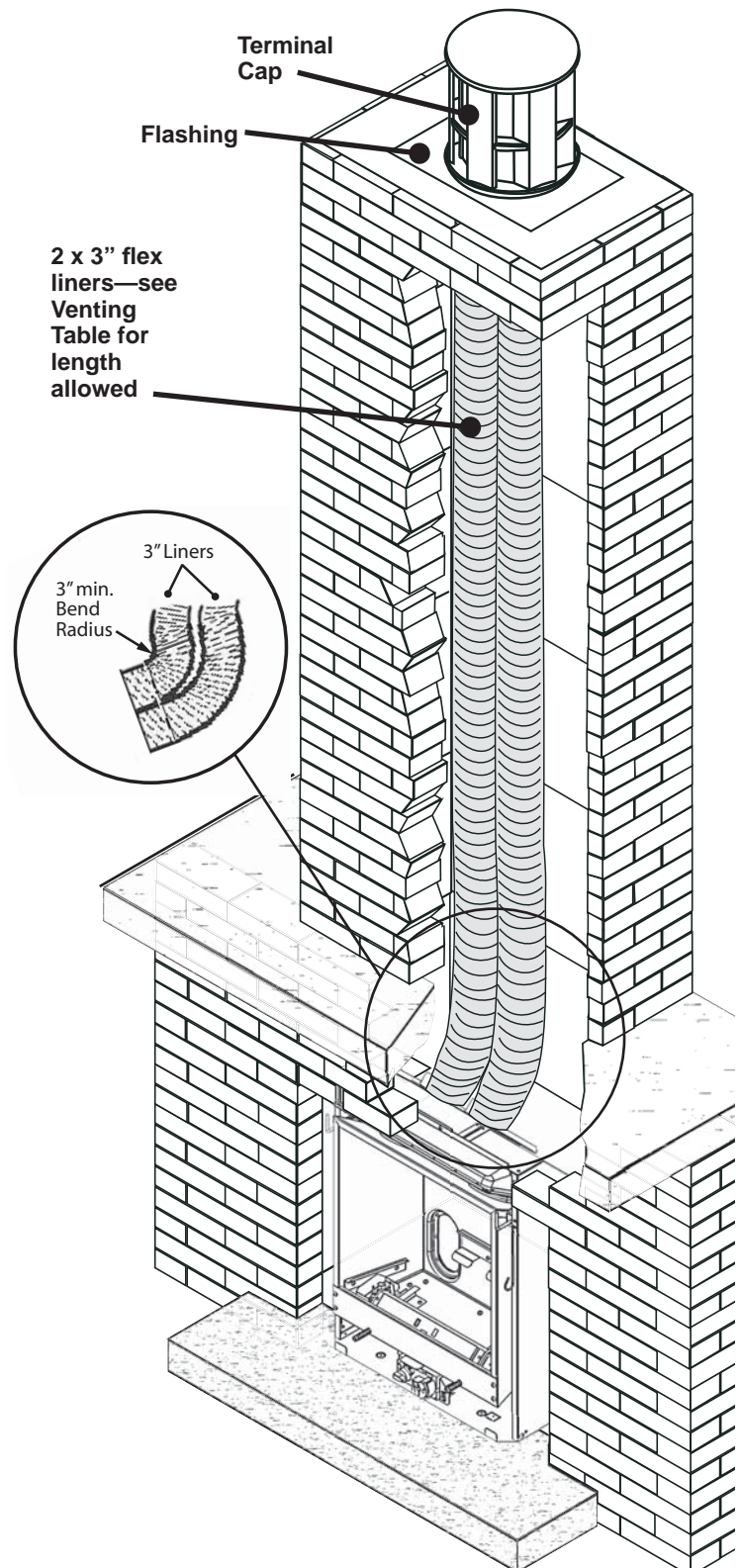
Four feet horizontal is permissible to allow for routing around masonry projections. Do not bend flex pipe over a 45 degrees radius.

1. Co-linear venting may be converted to solid 4" x 6-5/8" co-axial venting at the top of the existing solid-fuel burning chimney as necessary where the existing chimney has deteriorated and been removed. The conversion must be done using approved components (see page 41) and proper vent clearances to combustibles must be maintained.
2. Three-inch liners may only be installed into solid-fuel burning fireplaces and chimney systems (no combustible construction).
3. The appliance must not be connected to a chimney flue serving a separate solid-fuel burning appliance.

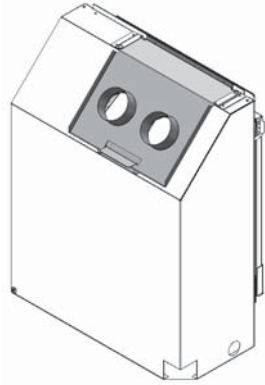
## Note

This appliance may also be vented using the following optional method (see installation instructions packaged with optional kit):

- 720SWK—Co-linear sidewall kit



Venting Options Rear view

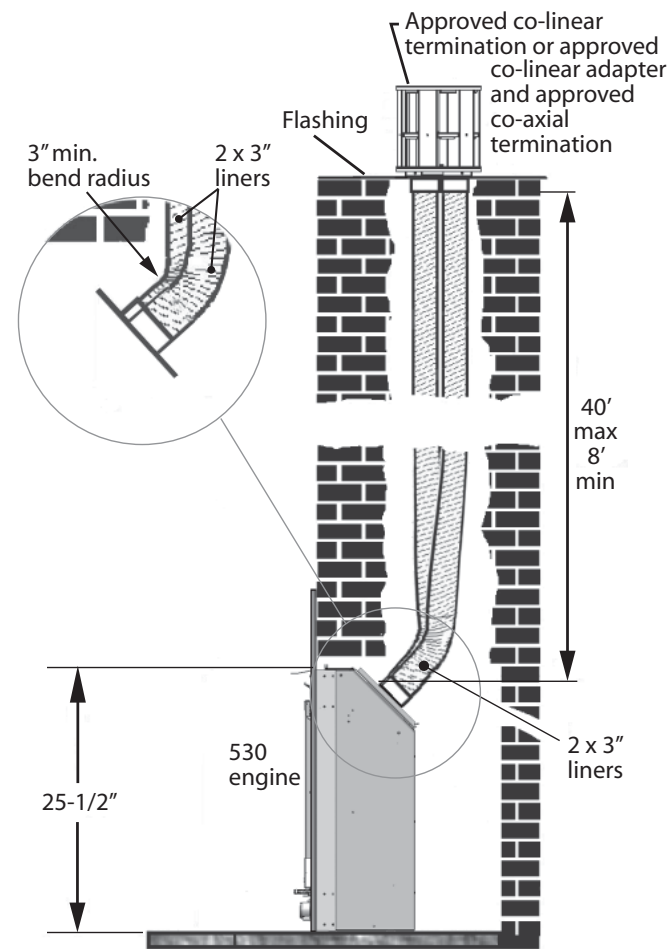


Co-linear appliance, as supplied  
(2 x 3" diameter liners)

**Note:** 536/541/563 fronts require a closure plate (582/583CPB) to ensure proper positioning of casting. Other fronts are supplied with a backing plate included.

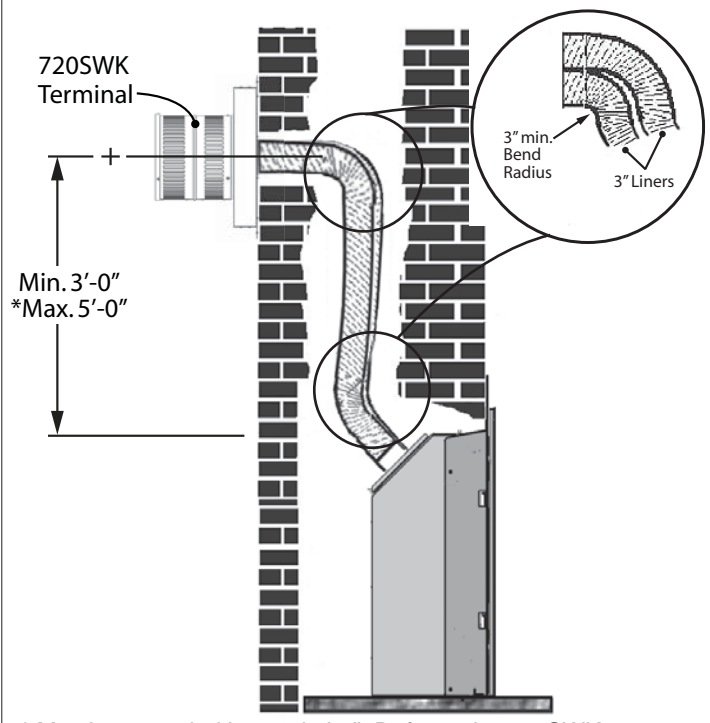
**530INI/IPI as supplied**

Co-linear installation into existing F/P



**530INI/IPI with 720SWK—Sidewall Kit**

Sidewall co-linear installation into existing F/P using 720SWK—for units with logs or rocks only (see installation instructions supplied with 720SWK)



\* May be extended beyond 5'-0". Refer to the 720SWK installation instructions