

INSTALLATION MANUAL

valor[®] Portrait



Cast Arch Fronts 549 Series

(549AFBv2, 549AFPv2)

Approved for use with Valor heater models 530 and 530I insert ONLY



DANGER



**HOT GLASS WILL
CAUSE BURNS.**

**DO NOT TOUCH GLASS
UNTIL COOLED.**

**NEVER ALLOW CHILDREN
TO TOUCH GLASS.**

A barrier designed to reduce the risk of burns from the hot viewing glass is provided with this appliance and must be installed for the protection of children and other at-risk individuals.

INSTALLER: Leave this manual with the appliance.
CONSUMER: Retain this manual for future reference.

Note: This kit must be installed or serviced by a qualified installer, service agency or gas supplier. These instructions are to be used in conjunction with the main installation instructions for the above listed heater model.

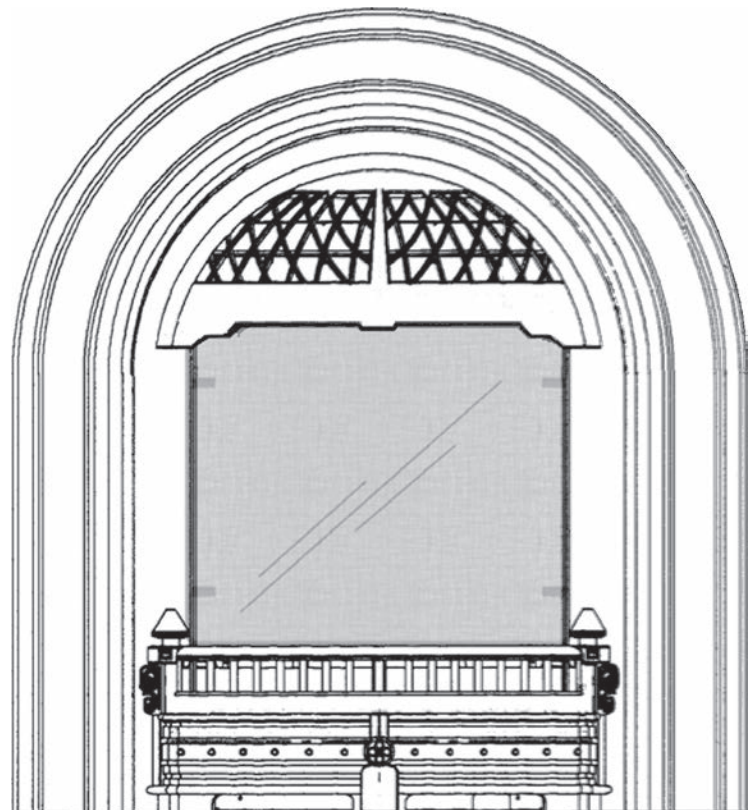
Overview

The 549 Cast Arch Fronts are supplied primarily for insert applications and do not include components for zero clearance applications.

When using the 549 cast front for zero clearance applications into combustible framing, a 549ZCK kit is required.

Note : There are two versions of the 530 heater:

- **530IN/IP**, primarily for zero clearance applications;
- **530INI/IPI**, for insert applications **ONLY**.
The zero clearance version 530IN/IP may also be installed in insert applications by using a vent adapter.
The insert version 530INI/IPI however, **may not be used** for zero clearance applications.

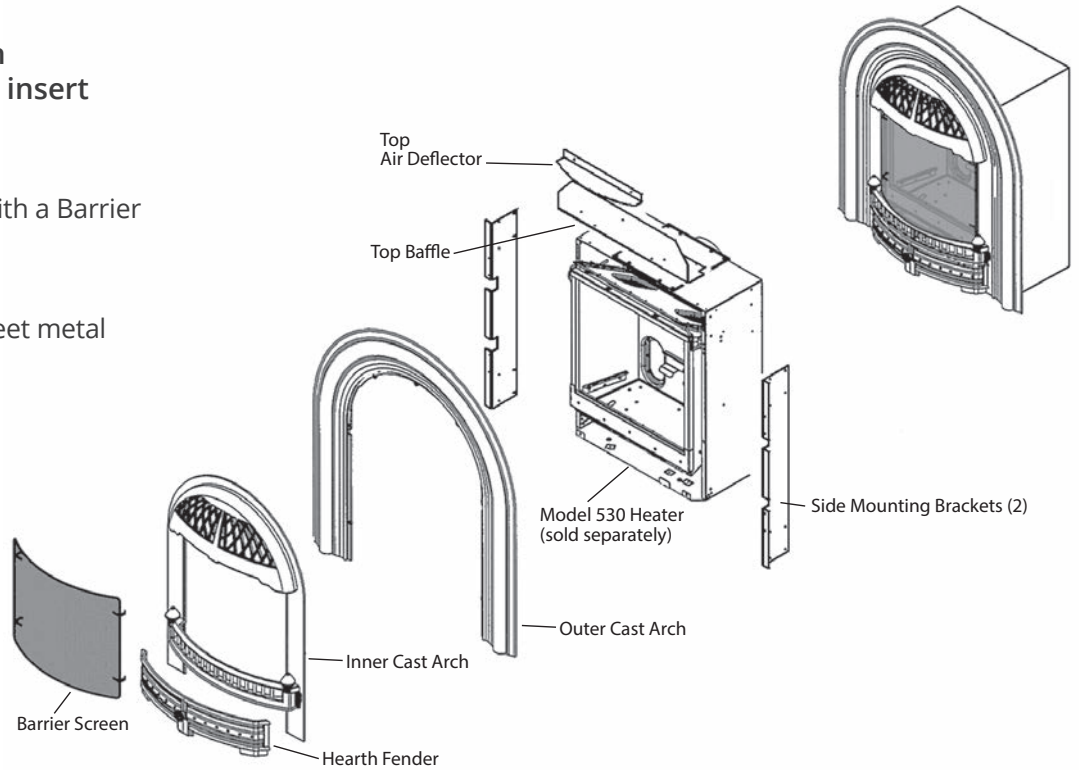


Kit Contents

549AFB/Pv2 Windsor Arch Front (without plate) - for insert applications

- 1 Outer cast iron arch
- 1 Inner cast iron arch fitted with a Barrier screen
- 1 Hearth fender, cast iron
- 2 Side mounting brackets, sheet metal
- 1 Top baffle, sheet metal
- 1 Top air deflector, sheet metal
- 1 Pack of screws

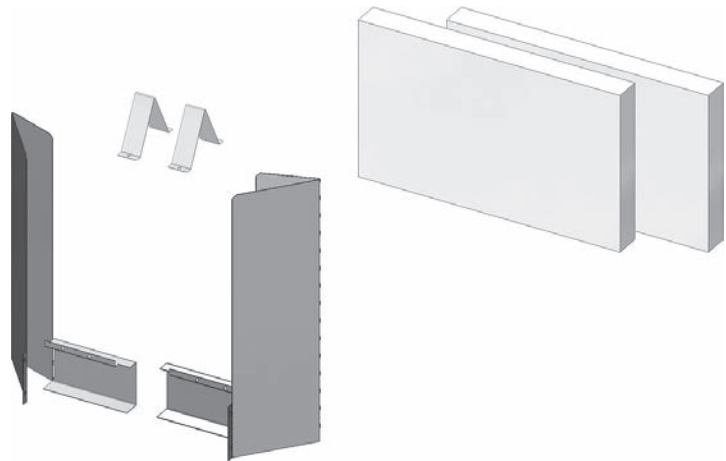
(Note: The 549 version of the Windsor Arch Front [without plate] does not come with zero clearance items and is intended for insert applications only).



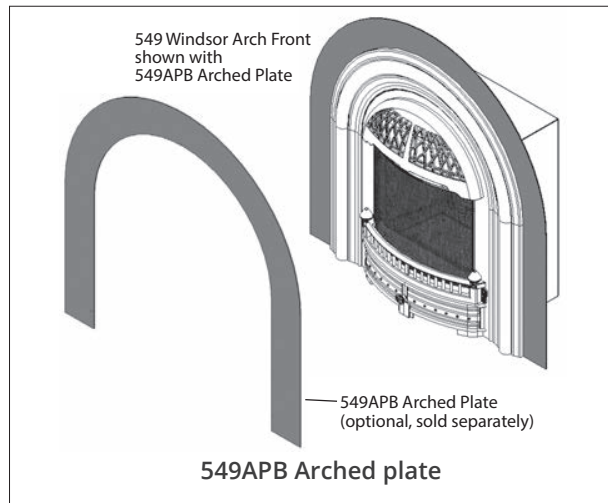
549ZCK Zero Clearance Kit (optional) for zero clearance applications

- 1 LH stand off
- 1 RH stand off
- 2 spacers
- 2 insulation pads

(Note: Supplied separately. Used when installing into combustible framing.)

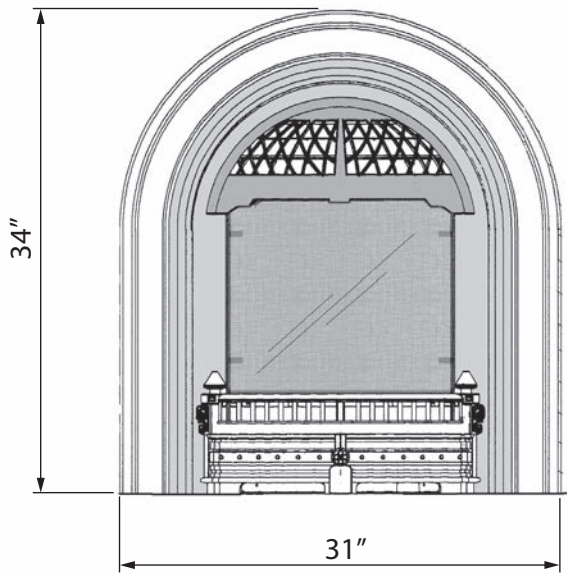


549APB Arched Plate Black (optional) - for insert or zero clearance applications

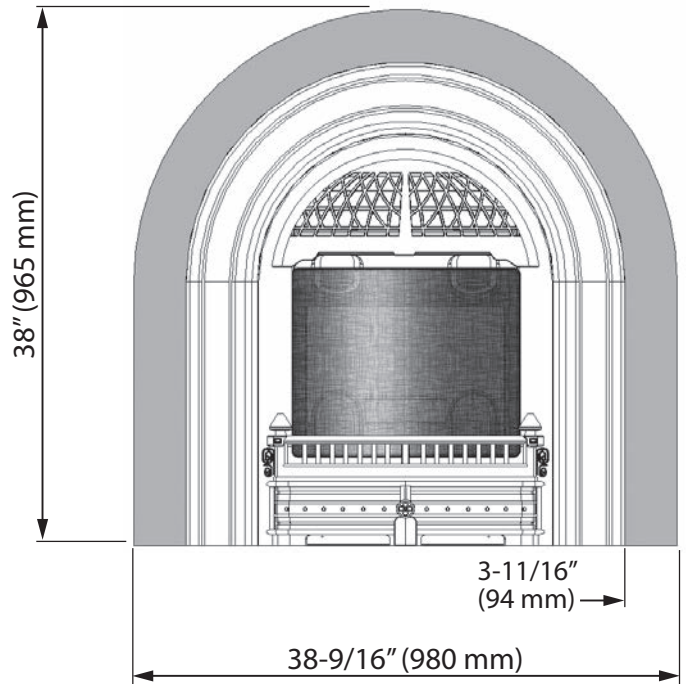


INSERT APPLICATIONS WITH 530IN/IP OR 530INI/IPI INSERT ENGINES (549AFBv2 and 549AFPv2)

Dimensions & Clearances



549 Arches



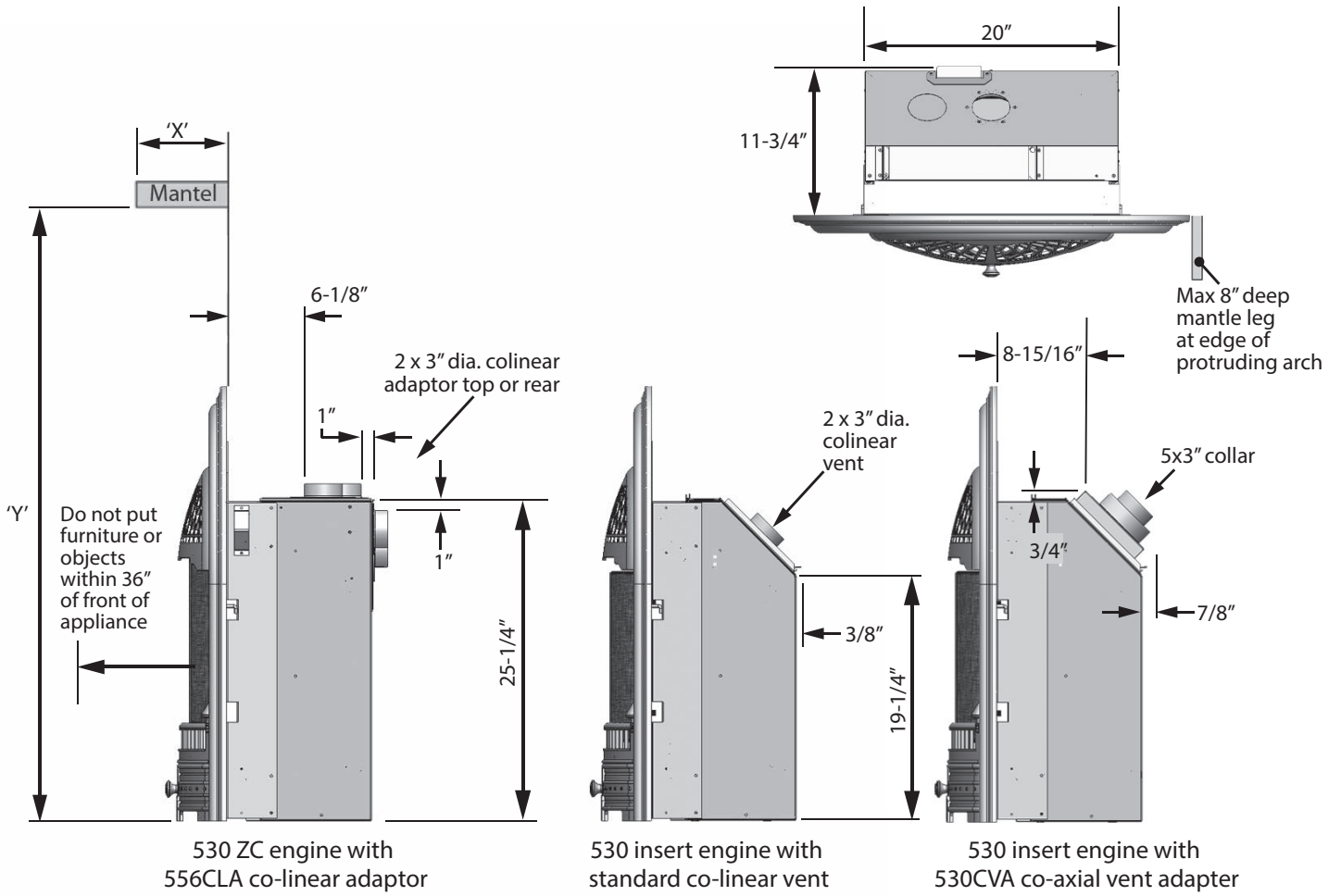
549 Arches with
optional 549APB Arched Plate

Casting Tolerances

Due to the nature of cast iron, dimensional consistency may vary from one unit to the next and some variation in surface finish and flatness is to be expected. We have done our best to control and make allowance for this; however some variation is inevitable.

Insert dimensions for 3 engine configurations

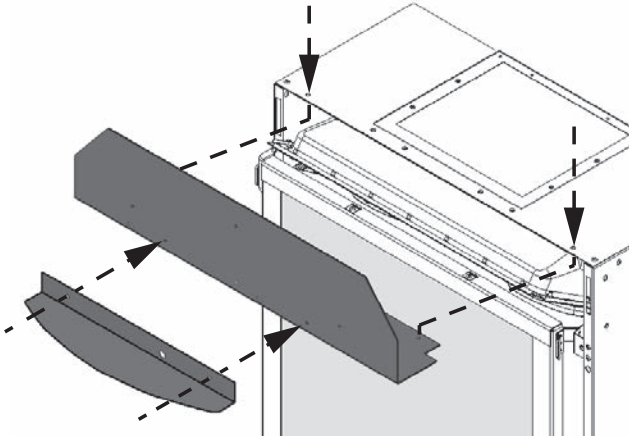
These dimensions are for non-combustible installations and apply to 549 Arched Cast Front



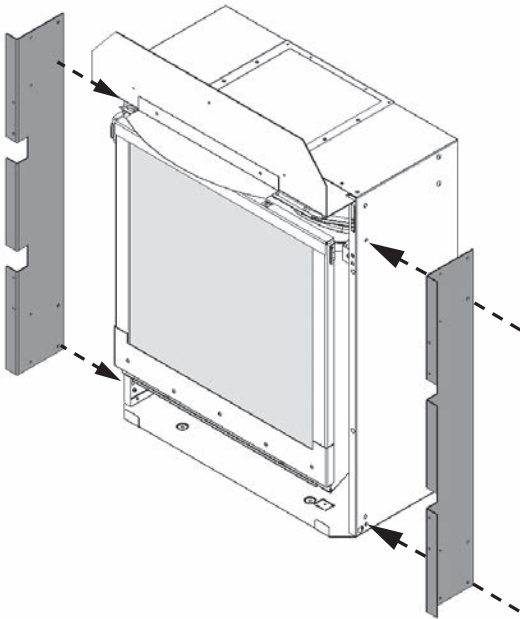
Mantel Clearances	
'X'	'Y'
1" - 6"	34"
7" - 8"	36"
9" - 12"	38"
12" +	38" + 1" for every inch beyond 12"

Installation (insert)

1. **Fit Top Baffle** under the top panel of the appliance case. Secure with 2 thread forming screws. Fit the top air deflector to the top baffle as shown using the 2 screws provided.



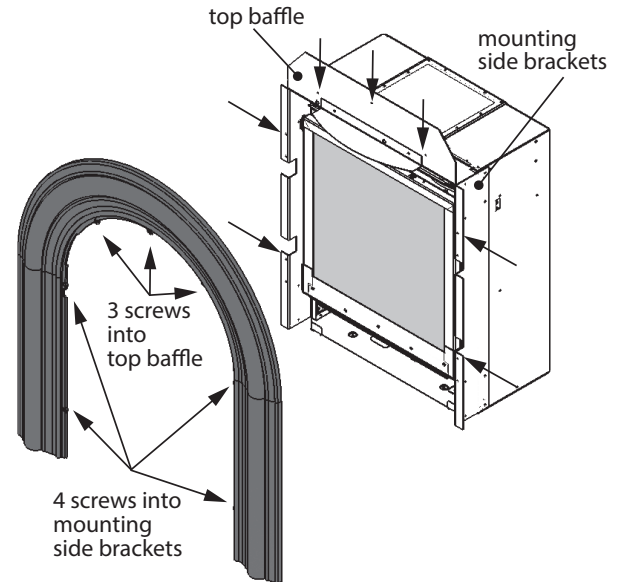
2. **Locate Side Mounting Brackets** as shown and line up the mounting holes in the side of the heater body. Secure the side brackets to the heater using the screws provided—2 per side.



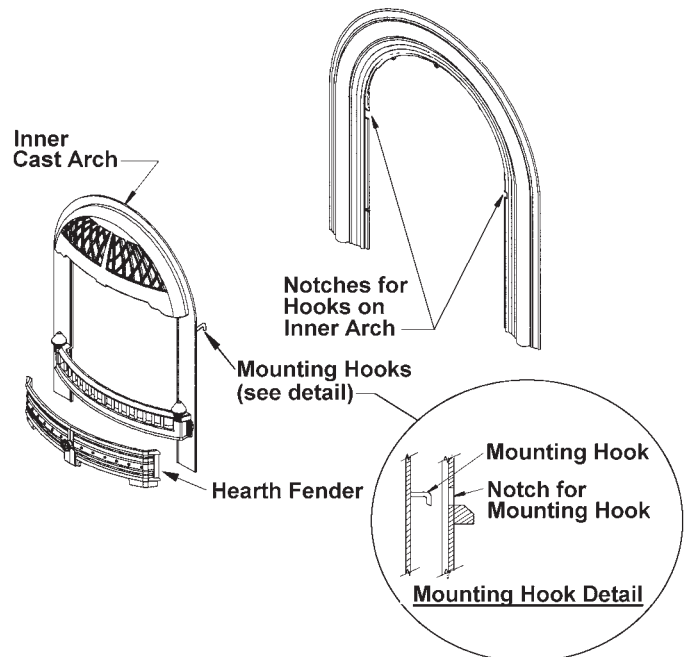
3. **Secure the Outer Cast Plate to the appliance** with self-tapping screws provided as shown. Tighten the screws enough to ensure a tight fit between casting and sheet metal parts.

(It may be necessary to re-drill 1/8" pilot holes for the self-tapping screws due to misalignment caused by shifting tolerances with the cast iron arch.)

Note: The weight of the cast plate must not be carried by the connection to the heater. It must sit on a hearth or be securely screwed to the wall.



4. **Hang the Inner Cast Arch.** Insert the mounting hooks into the notches in the outer cast plate as shown. The fit or gap between the inner cast arch and the outer cast plate may be tightened by bending the mounting hooks slightly inwards.



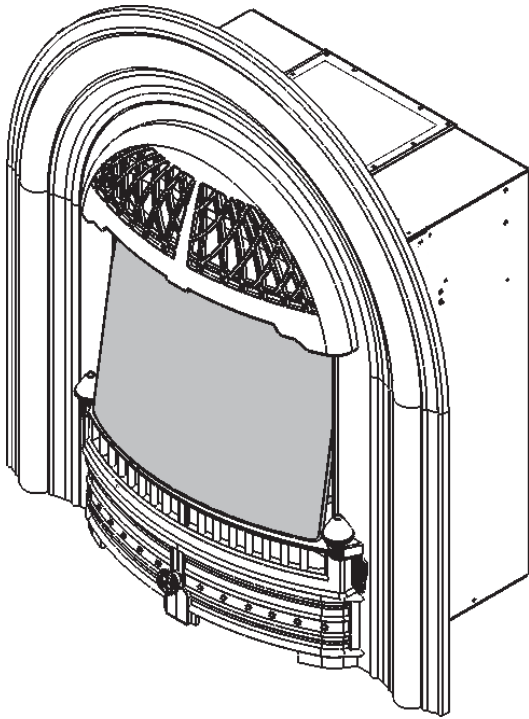
Do not bend the hooks too far or the inner arch will be difficult to remove!

If this happens, a screwdriver inserted through the gap between the back of the inner arch and the heater should be able to pry the hook away from the backing plate. **Do not hit the hooks with a hammer as this may break the welds holding them.**

Slide the hearth fender up to the front of the casting.

Note: It is important that the hearth in front of heater be flush with the bottom of the heater; otherwise the hearth fender will not rest at the proper height.

5. Install the barrier screen by snapping the barrier screen's top part to the inner arch. Then slide the screen up slightly under the hood, snap the bottom of the barrier to the inner arch and slide the screen back down so it rests on the cast fender's upper edge.



Cleaning

⚠ WARNING

DO NOT TOUCH THE BARRIER SCREEN, CAST FRONT OR GLASS WHILE THEY ARE HOT! Let the fireplace cool first before performing any maintenance.

⚠ WARNING

FOR YOUR SAFETY, ensure the barrier screen is installed on the fireplace after maintenance.

To clean the barrier screen and the matte black cast iron surfaces use a soft brush. To clean the polished cast iron surfaces use mild soap and water.

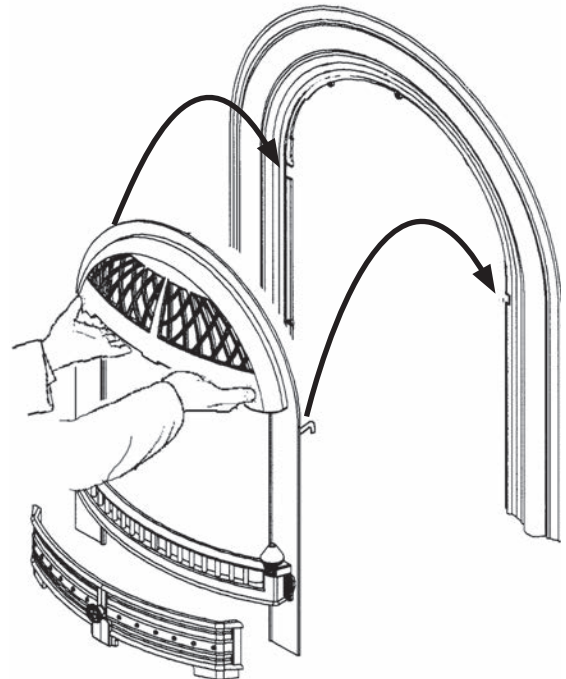
If the barrier becomes damaged, the barrier must be replaced with the manufacturer's barrier for this appliance.

To clean the fireplace glass window, refer to the owner's manual supplied with the appliance.

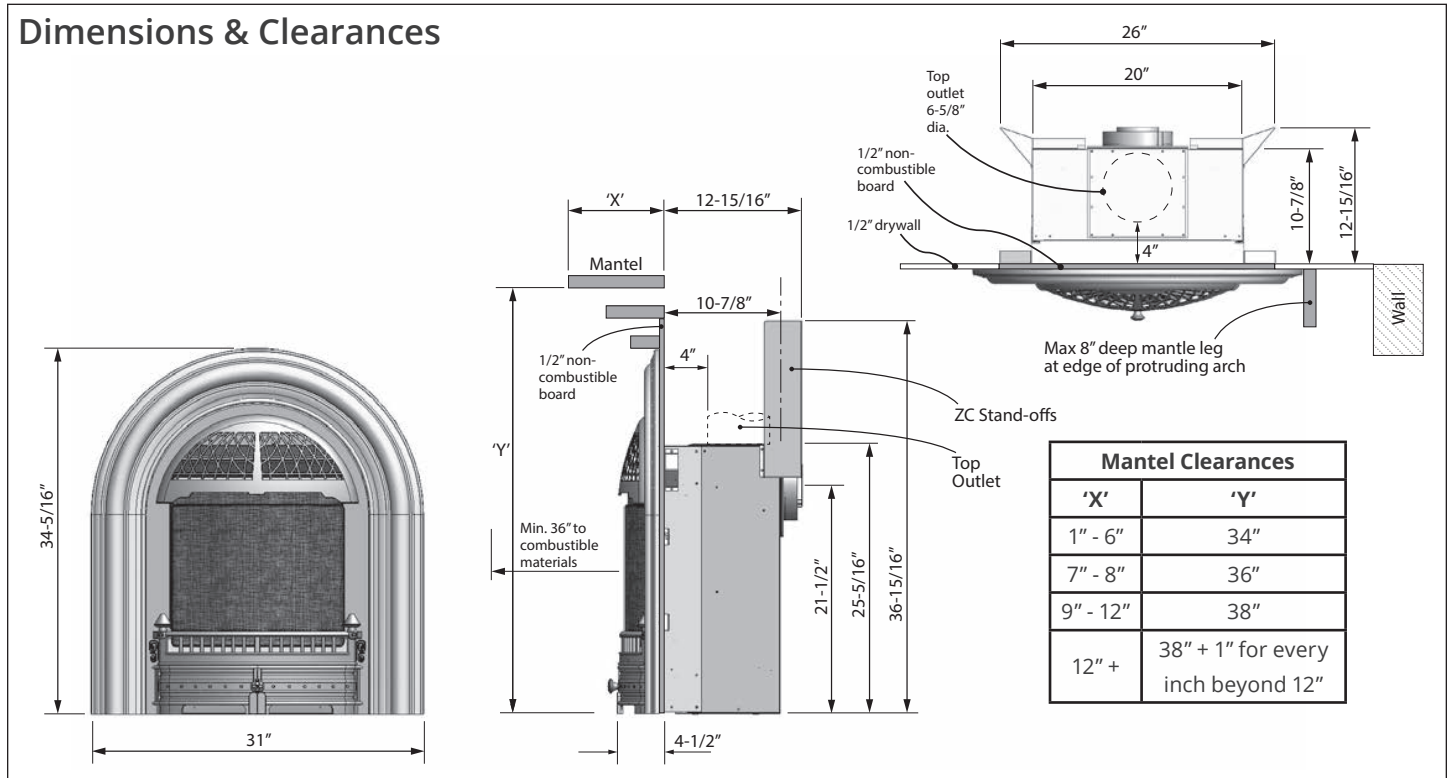
Removing the front unit

1. Remove the barrier screen by pushing it up and pulling out the bottom then the top.
2. Pull away the hearth fender at the bottom.
3. Unhook the inner cast arch as shown.

Always securely replace the window, the front and the barrier screen before lighting.



ZERO CLEARANCE APPLICATIONS WITH 530 ZC ENGINE ONLY (549AFBV2/549AFPV2 using 549 ZCK Kit)



Hearth Requirements

All installations will require a hearth or floor, flush with the bottom of the heater, to support the weight of the cast iron plate and to ensure the removable hearth fender rests at the proper height.

A *non-combustible* hearth is **not** required in front of this appliance.

Floor Requirements

The 530 heater is approved for installation directly on any combustible material **other than** soft flooring material such as carpet or vinyl.

Mantel Requirements

The Arch Fronts series is designed to be compatible with combustible mantels provided clearances are maintained as indicated in the Dimensions and Clearances, and Framing diagrams below and on the following pages. The 549 Cast Arch requires non-combustible cement board on the wall above. Be aware that although safe, some combustible materials and finishes at the listed clearances may, over time, discolor, warp, or show cracks. Care should be taken when choosing materials—consult your fireplace dealer.

Wall Requirements

The 549 Arched Front requires non-combustible board applied to the front face of the framing cavity, above the arch. See drawing on page 8 for minimum extent of non-combustible board. Combustible wall finishes up to 1" thickness may be applied over top of the non-combustible board. Note the cutout in the cement board is very specific when using 549 arch without backing plate. Otherwise, the heater with brackets attached will not move forward enough to meet the back of the cast arch. If a backing plate is used, the upper corners of the cut-out can be cut square as the backing plate will cover the cut-out.

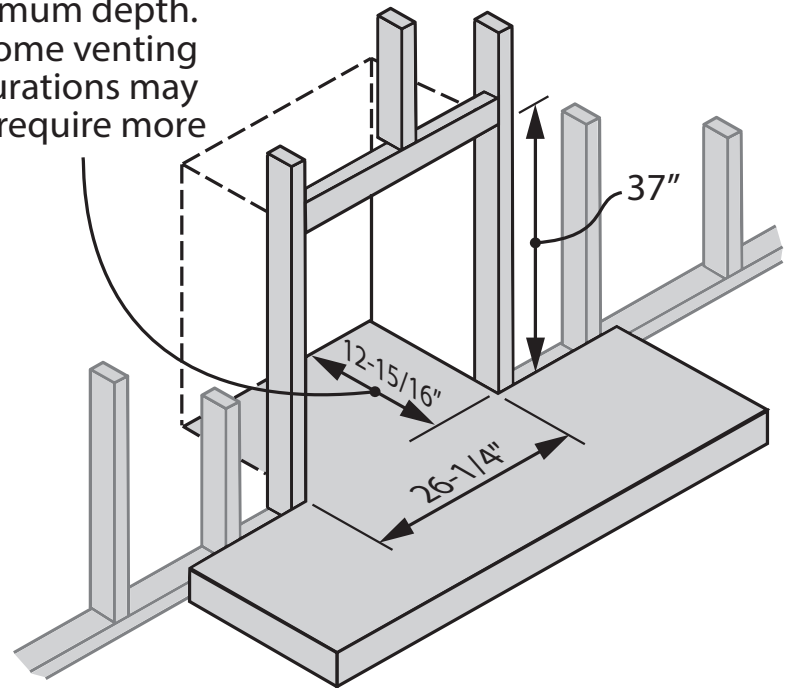
Casting Tolerances

Due to the nature of cast iron, dimensional consistency may vary from one unit to the next and some variation in surface finish and flatness is to be expected. We have done our best to control and make allowance for this; however some variation is inevitable.

Framing

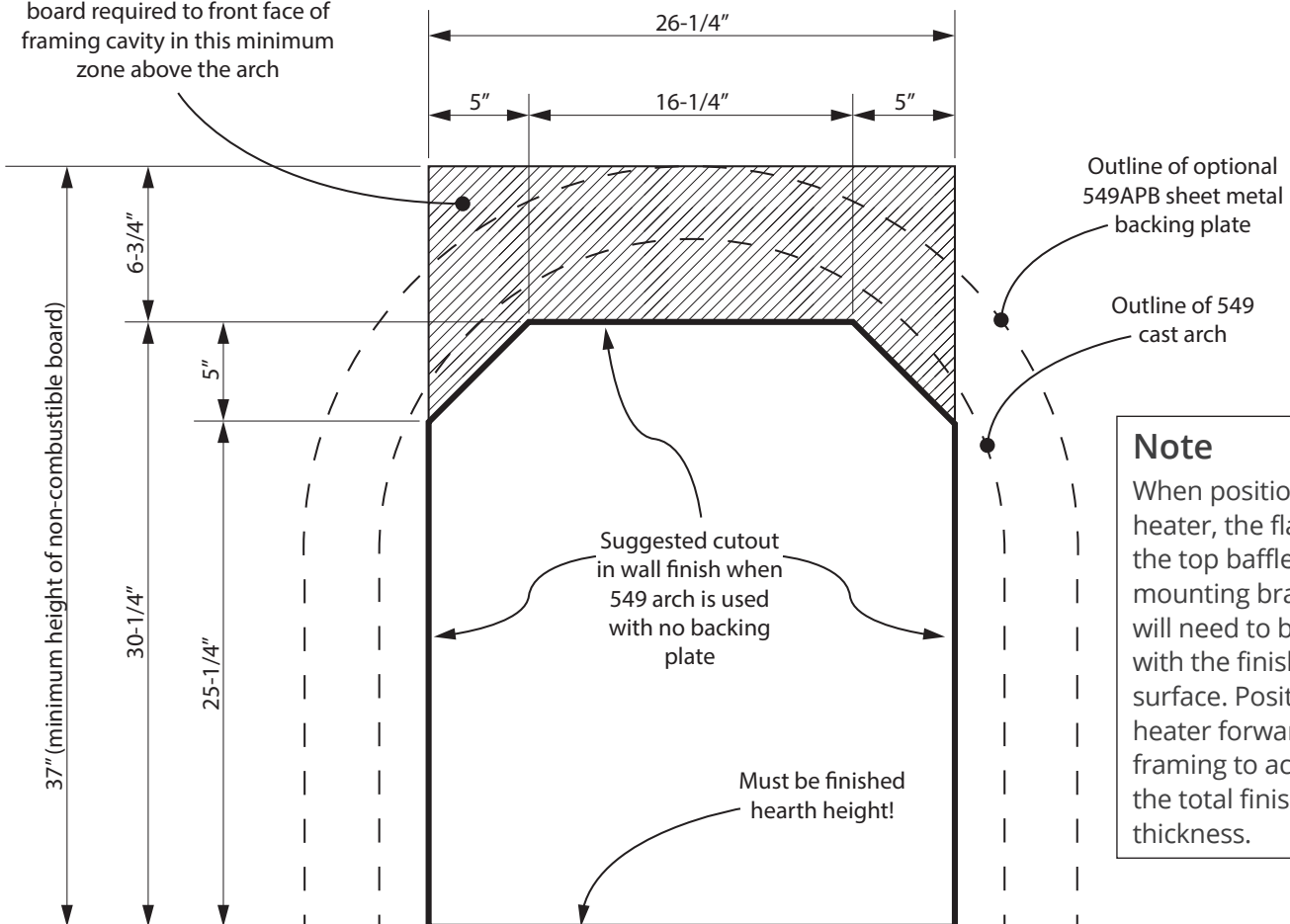
- The framing dimensions for installation of the 530 heater with the models 549 Arch Fronts are shown in the Framing Diagram.
- A non-combustible hearth is not necessary in front of the 530 heater.
- The 530 is approved for installation directly on any combustible material **other than** soft flooring material such as carpet or vinyl.
- Any framing construction must be clear of the standoffs—see Dimensions & Clearances and Framing Diagram.
- A hearth or floor, flush with the bottom of the heater, will be required to support the removable hearth fender.

Minimum depth.
Some venting
configurations may
require more



Wall Finish Requirements

1/2" thick, non-combustible board required to front face of framing cavity in this minimum zone above the arch



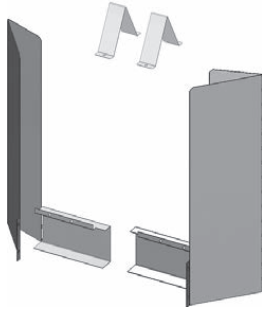
Note

When positioning the heater, the flanges on the top baffle and side mounting brackets will need to be flush with the finished wall surface. Position the heater forward of the framing to account for the total finished wall thickness.

Installation (ZC)

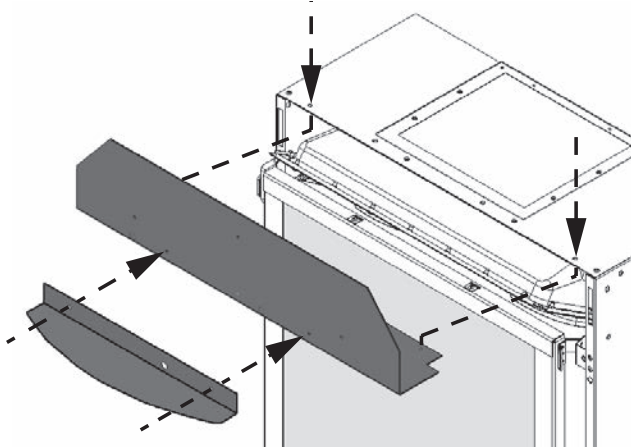
Note: this requires the optional 549ZCK kit:

549ZCK kit contents



- (1) LH stand off
- (1) RH stand off
- (2) 3" stand offs
- (2) insulation pads

1. **Fit Top Baffle** under the top panel of the appliance case. Secure with 2 thread forming screws. Fit the top air deflector to the top baffle as shown using the 2 screws provided.



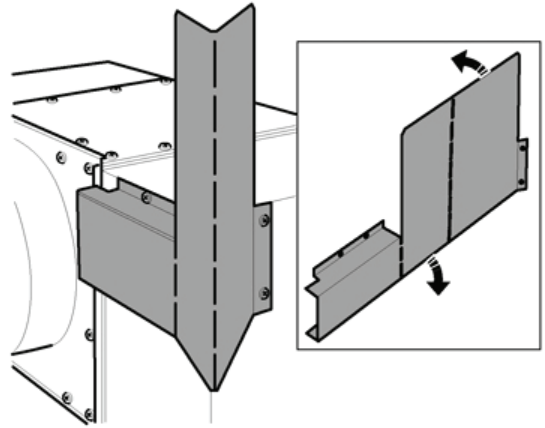
2. **Mount Stand-off Spacers.** The stand-off spacers are supplied flat and are left and right handed.

WARNING

Failure to install the stand-off spacers may result in a fire hazard.

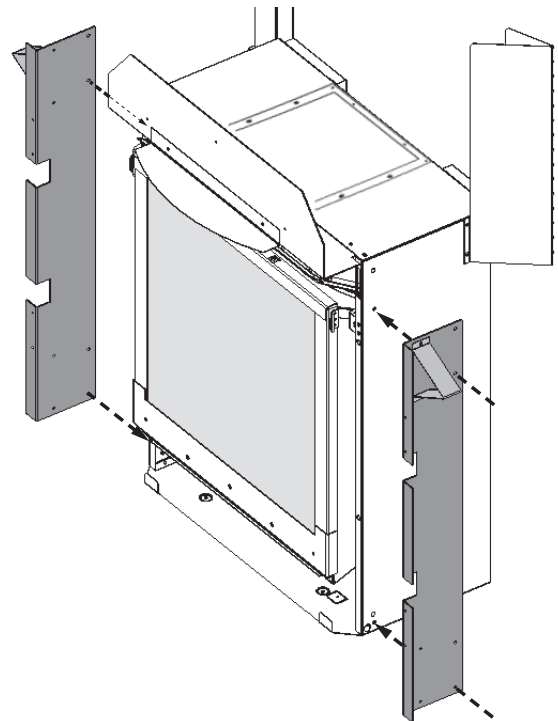
- a. Remove the 2 screws near each of the rear top corners of the appliance and the 2 screws near the rear top of each side.
- b. Bend the spacers as shown.
- c. Screw the spacers to the rear of the appliance using the screws just removed.
- d. Bend the side wings of the spacers to align the 2 holes in each spacer with those in the appliance sides.

- e. Secure the spacers using the screws just removed.



3. **Fit Side Spacers to Side Mounting Brackets** as shown. Secure the spacers to side mounting brackets the screws provided—2 screws per side.

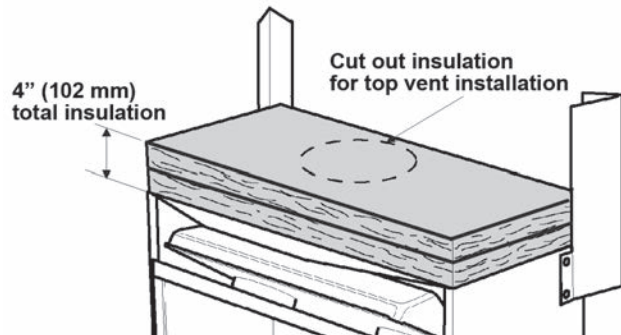
4. **Locate Side Mounting Brackets** as shown and line up the mounting holes in the side of the heater body. Secure the side brackets to the heater using the screws provided—2 per side.



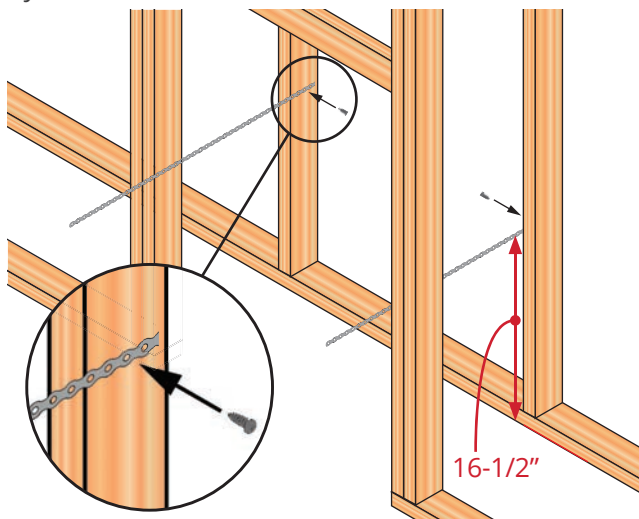
5. **Place Top Insulation Pad.** For top vent outlet appliances, cut out a circle at the center of the insulation layers for the vent collar. Place both the insulation layers on top of the appliance case inboard of the stand-off spacers.

⚠ WARNING

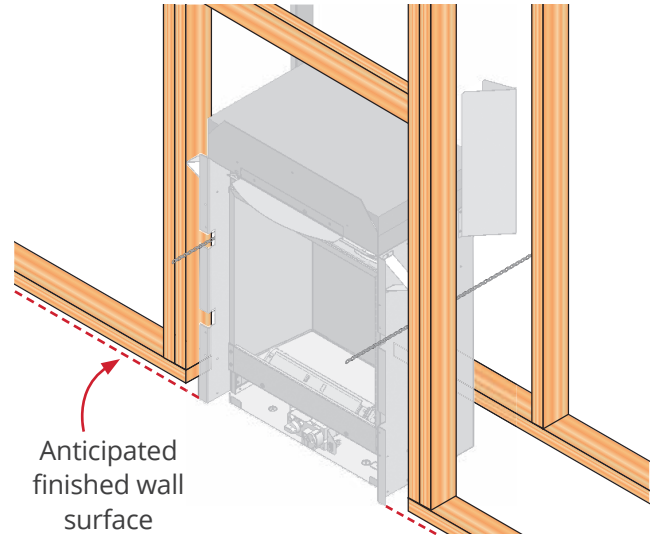
Failure to install the insulation layers may result in a fire hazard and voids warranty.



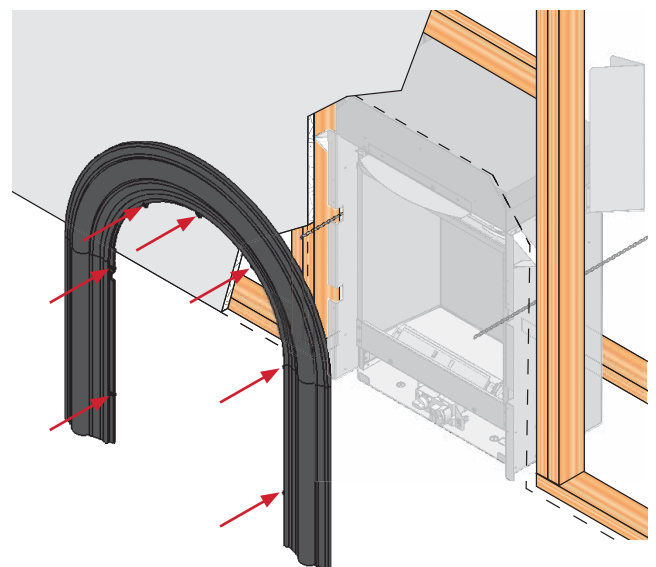
6. **Before installing engine into cavity,** install two lengths of plumbing strap (not included), anchored to a solid point at the rear of the cavity, at a height of 16-1/2" from where the base of the unit will sit. The straps should extend past the front of the cavity by at least 6".



7. Install the engine into the cavity, pulling the plumber straps through the upper opening in the side mounting flanges. **The engine must be positioned forward of the framing** so the brackets are flush with the anticipated finished wall surface.



8. Vent and complete gas work. See your Installation Manual for details. **Note: Check and confirm the clearance between the vent and the header when positioning the unit forward of the framing with a top vent outlet.**
9. Temporarily screw the unit to the floor. Confirm the plumber straps are still in the upper cutouts in the side mounting plates.
10. **Complete wall finish** (see page 8 for details).
11. Install the outer cast plate onto the mounting side brackets and top baffle (7 provided self-tapping screws).

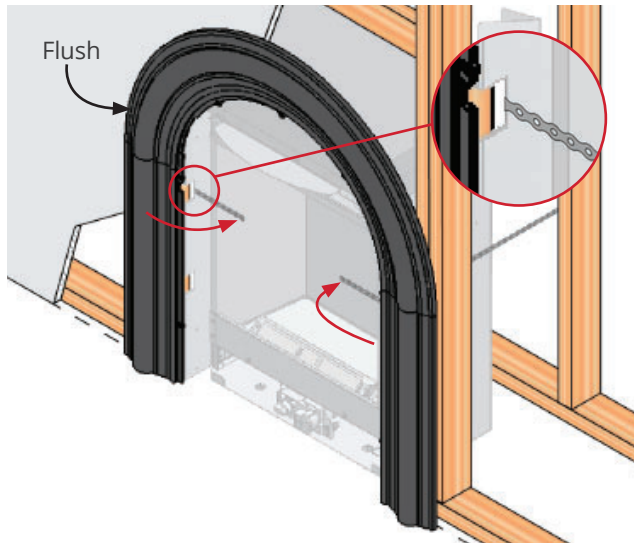


Tighten the screws enough to ensure a tight fit between casting and sheet metal parts. (It may be necessary to re-drill 1/8" pilot holes for the self-tapping screws due to misalignment caused by shifting tolerances with the cast iron arch.)

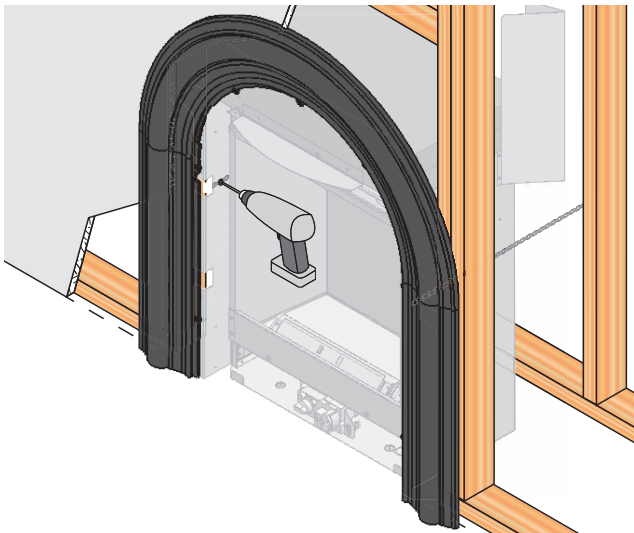
Note: The weight of the cast plate must not be carried by the connection to the heater. It must rest on a hearth.

12. Remove the window and set it aside.

13. Pull the plumbers straps inward, tight, drawing the engine inward and pulling the outer cast arch tight against the wall finish.



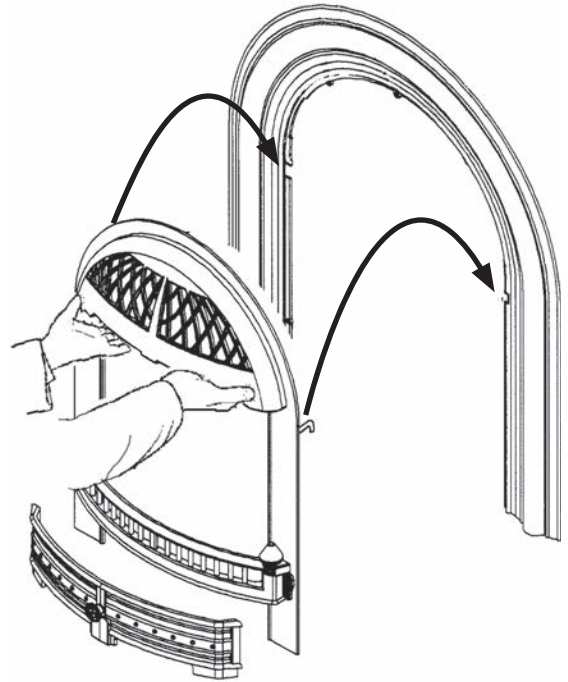
Screw the straps to the inner side of the side mount flange to ensure the outer cast arch remains flush against the wall. You may need to drill a pilot hole.



Repeat on other side.

14. Replace the window.

15. Hang the Inner Cast Arch. Insert the mounting hooks into the notches in the outer cast plate.



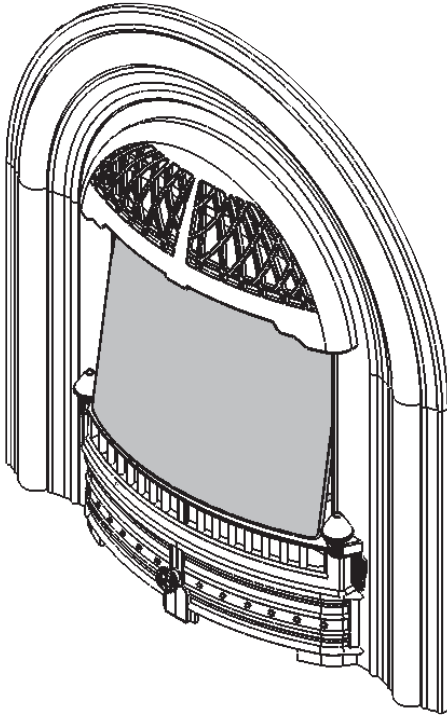
The fit or gap between the inner cast arch and the outer cast plate may be tightened by bending the mounting hooks slightly inwards.

Do not bend the hooks too far or the inner arch will be difficult to remove! If this happens, a screwdriver inserted through the gap between the back of the inner arch and the heater should be able to pry the hook away from the backing plate. **Do not hit the hooks with a hammer as this may break the welds holding them.**

16. Slide the hearth fender up to the front of the casting.

Note: It is important that the hearth in front of heater be flush with the bottom of the heater; otherwise the hearth fender will not rest at the proper height.

17. Install the barrier screen by snapping the barrier screen's top part to the inner arch. Then slide the screen up slightly under the hood, snap the bottom of the barrier to the inner arch and slide the screen back down so it rests on the cast fender's upper edge.



Cleaning

⚠ WARNING

DO NOT TOUCH THE BARRIER SCREEN, CAST FRONT OR GLASS WHILE THEY ARE HOT! Let the fireplace cool first before performing any maintenance.

⚠ WARNING

FOR YOUR SAFETY, ensure the barrier screen is installed on the fireplace after maintenance.

To clean the barrier screen and the matte black cast iron surfaces use a soft brush. To clean the polished cast iron surfaces use mild soap and water.

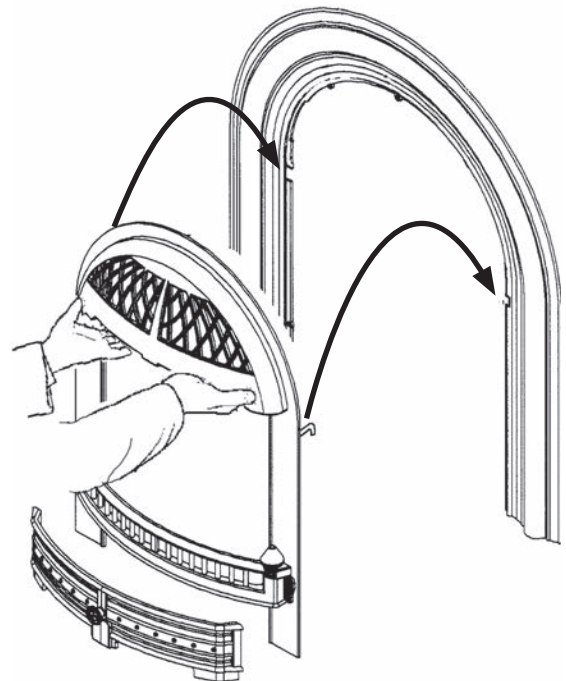
If the barrier becomes damaged, the barrier must be replaced with the manufacturer's barrier for this appliance.

To clean the fireplace glass window, refer to the owner's manual supplied with the appliance.

Removing the front unit

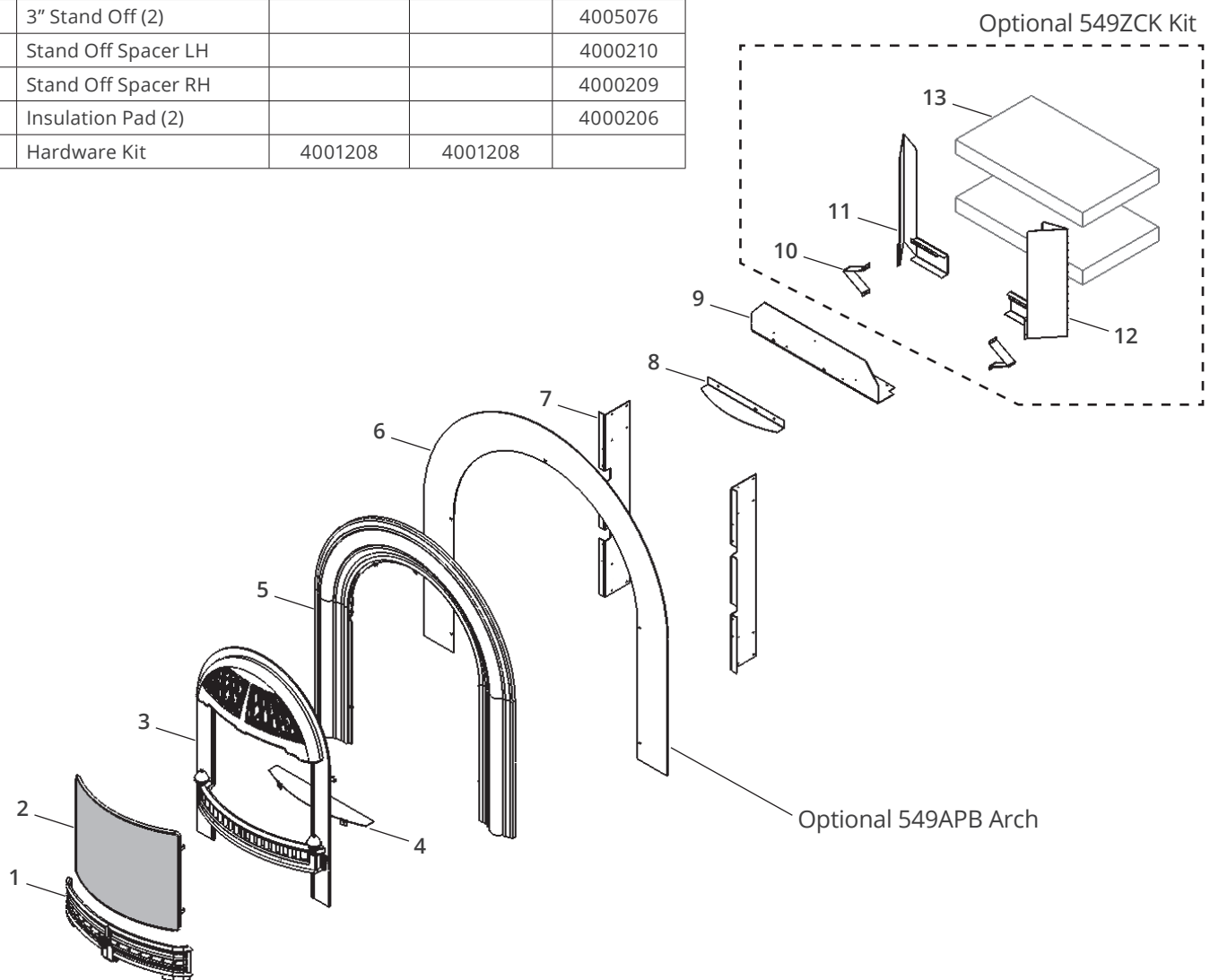
1. Remove the barrier screen by pushing it up and pulling out the bottom then the top.
2. Pull away the hearth fender at the bottom.
3. Unhook the inner cast arch as shown.

Always securely replace the window, the front and the barrier screen before lighting.



REPAIRS PARTS LIST (549AFBv2, 549AFPv2, 549ZCK)

#	Description	549AFB/P v2 Series		549ZCK Kit (optional)
		Black	Polished	
1	Ash Pan Door	4000241AH	4000241	
2	Barrier Screen	4003290	4003290	
3	Inner Cast Arch	4000240AH	4000240	
4	Hearth Baffle	4000347	4000347	
5	Outer Cast Arch	4000414AH	4000414	
6	Accent Trim - black (Optional - not included)	549APB	549APB	
7	Side Mounting Brackets (2)	4005074AH	4005074AH	
8	Air Deflector	4000205	4000205	
9	Top Baffle	4005075AH	4005075AH	
10	3" Stand Off (2)			4005076
11	Stand Off Spacer LH			4000210
12	Stand Off Spacer RH			4000209
13	Insulation Pad (2)			4000206
	Hardware Kit	4001208	4001208	



Because our policy is one of constant development and improvement, details may vary slightly from those given in this publication.

Designed and Manufactured by / for
Miles Industries Ltd.

190 - 2255 Dollarton Highway, North Vancouver, B.C., CANADA V7H 3B1

Tel. 604-984-3496 Fax 604-984-0246

www.valorfireplaces.com

valor® Portrait



Arches de fonte 549AFBv2 et 549AFPv2

Certifiées pour usage avec foyers Valor 530 et 530 encastrables seulement



DANGER



VITRE CHAUDE - RISQUE DE BRÛLURES.

NE TOUCHEZ PAS UNE VITRE NON REFROIDIE.

NE LAISSEZ JAMAIS UN ENFANT TOUCHER LA VITRE.

L'écran pare-étincelles fourni avec ce foyer réduit le risque de brûlure en cas de contact accidentel avec la vitre chaude et doit être installé pour la protection des enfants et des personnes à risques.

INSTALLATEUR : Laissez cette notice avec l'appareil.

CONSOMMATEUR : Conservez cette notice pour consultation ultérieure.

Ce kit doit être installé ou réparé par un installateur qualifié, une agence de service certifiée ou un fournisseur de gaz. Ces instructions doivent être utilisées conjointement avec les instructions d'installation du modèle de foyer Valor indiqué ci-dessus.

Concept

Les Arches de fonte 549 sont conçues principalement pour installations avec foyer encastrable et n'incluent pas les pièces nécessaires aux installations à dégagement zéro.

Lorsque l'arche de fonte 549 est installée dans une application à dégagement zéro dans un encastrement combustible, une trousse à dégagement zéro 549ZCK doit être utilisée.

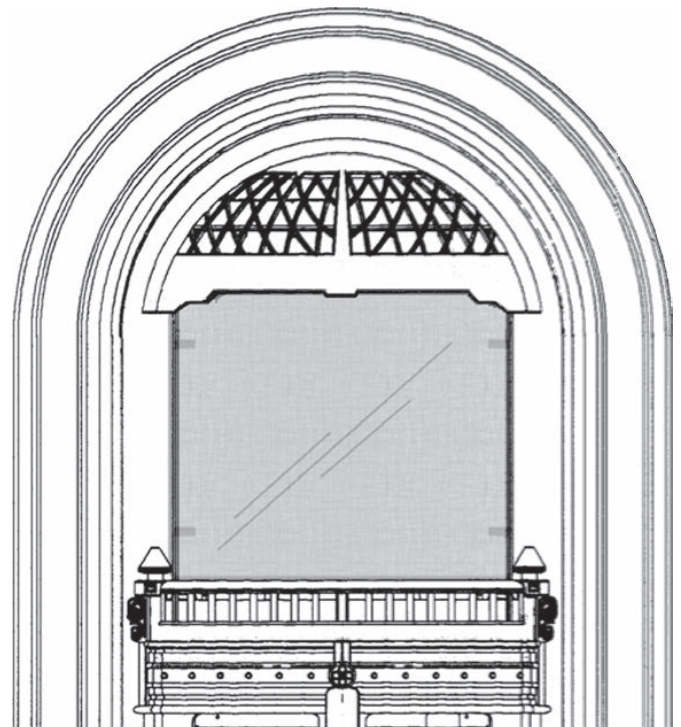
Note :

Il y a deux versions du foyer 530 :

- 530IN/IP, généralement pour applications à dégagement zéro;
- 530INI/IPI, pour applications encastrables SEULEMENT.

La version à dégagement zéro 530IN/IP peut également servir pour les applications encastrables en utilisant un raccord d'évent.

La version encastrable 530INI/IPI cependant, **ne peut pas** être utilisée pour les applications à dégagement zéro.



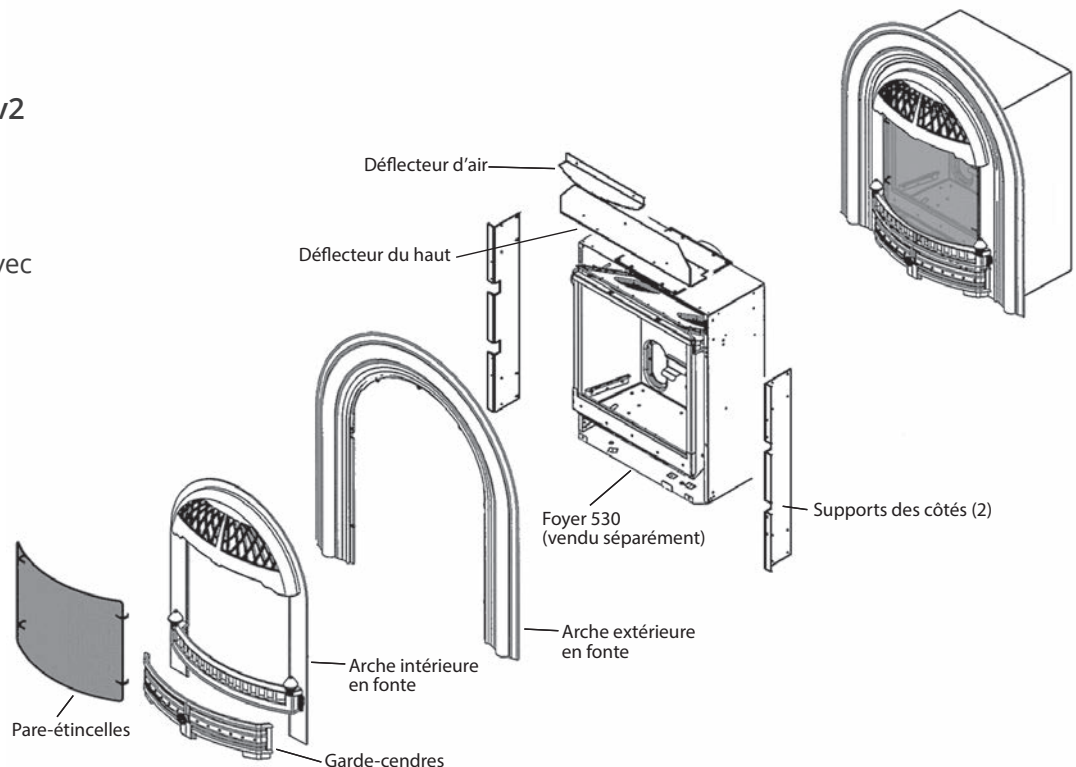
Contenu des kits

Arche Windsor 549AFB/Pv2 (sans plaque)

- Encastrable seulement

- 1 Arche extérieure en fonte
- 1 Arche intérieure en fonte avec pare-étincelles
- 1 Garde-cendres en fonte
- 2 Supports des côtés
- 1 Déflecteur du haut
- 1 Déflecteur d'air
- 1 Quincaillerie

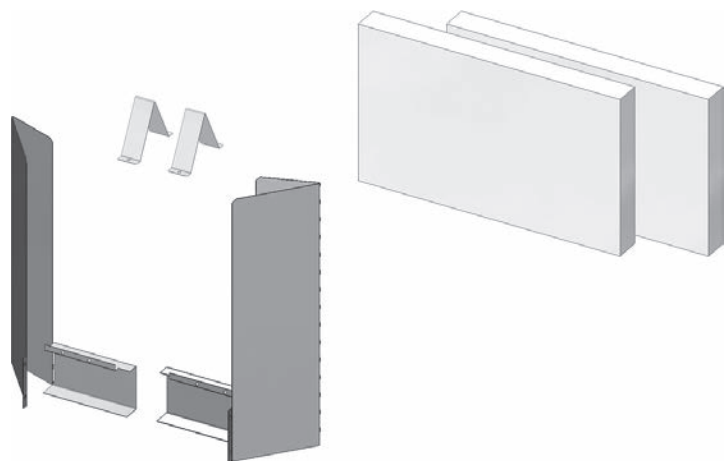
(Note : La version 549 de l'Arche Windsor [sans plaque] n'inclut pas les articles pour installation à dégagement zéro (écarteurs et coussin isolant) et est conçue pour les encastresments seulement).



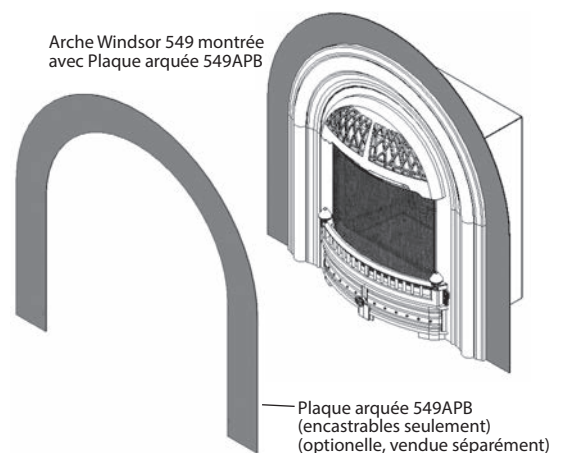
Trousse dégagement zéro 549ZCK, optionnelle - Pour applications à dégagement zéro

- 1 Écarteur gauche
- 1 Écarteur droit
- 2 Écarteurs des côtés
- 2 Coussins isolants

(Fournis séparément. Utilisez lorsque vous installez dans un encastrement combustible.)

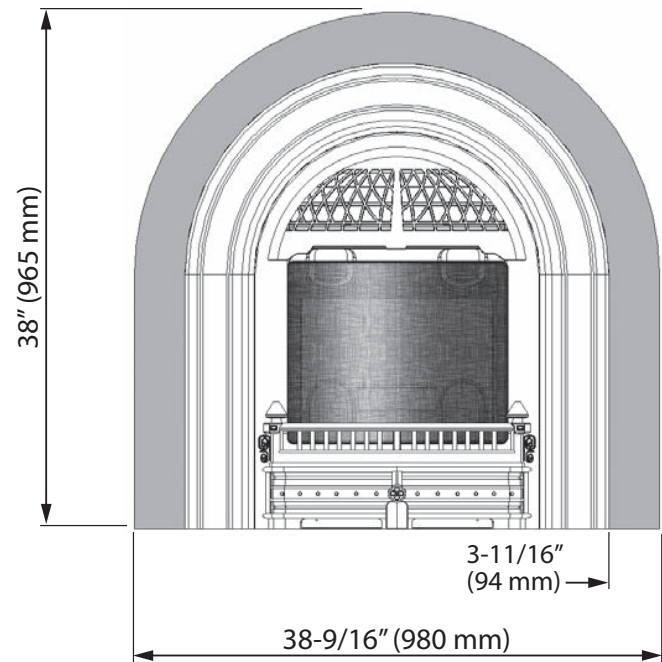
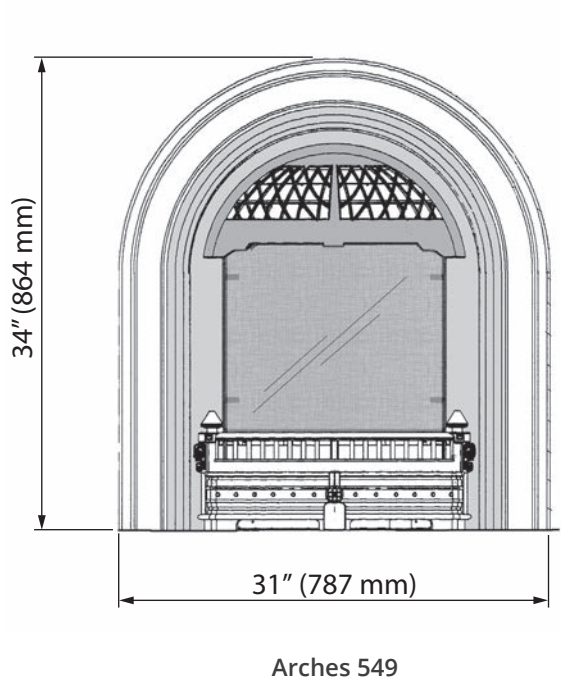


Plaque arquée 549APB, optionnelle - Pour encastrables ou dégagement zéro



APPLICATIONS ENCASTRABLES—ARCHE AVEC FOYERS 530IN/IP ET 530INI/IPI ENCASTRABLE (549AFBv2 et 549AFPv2)

Dimensions et Dégagements

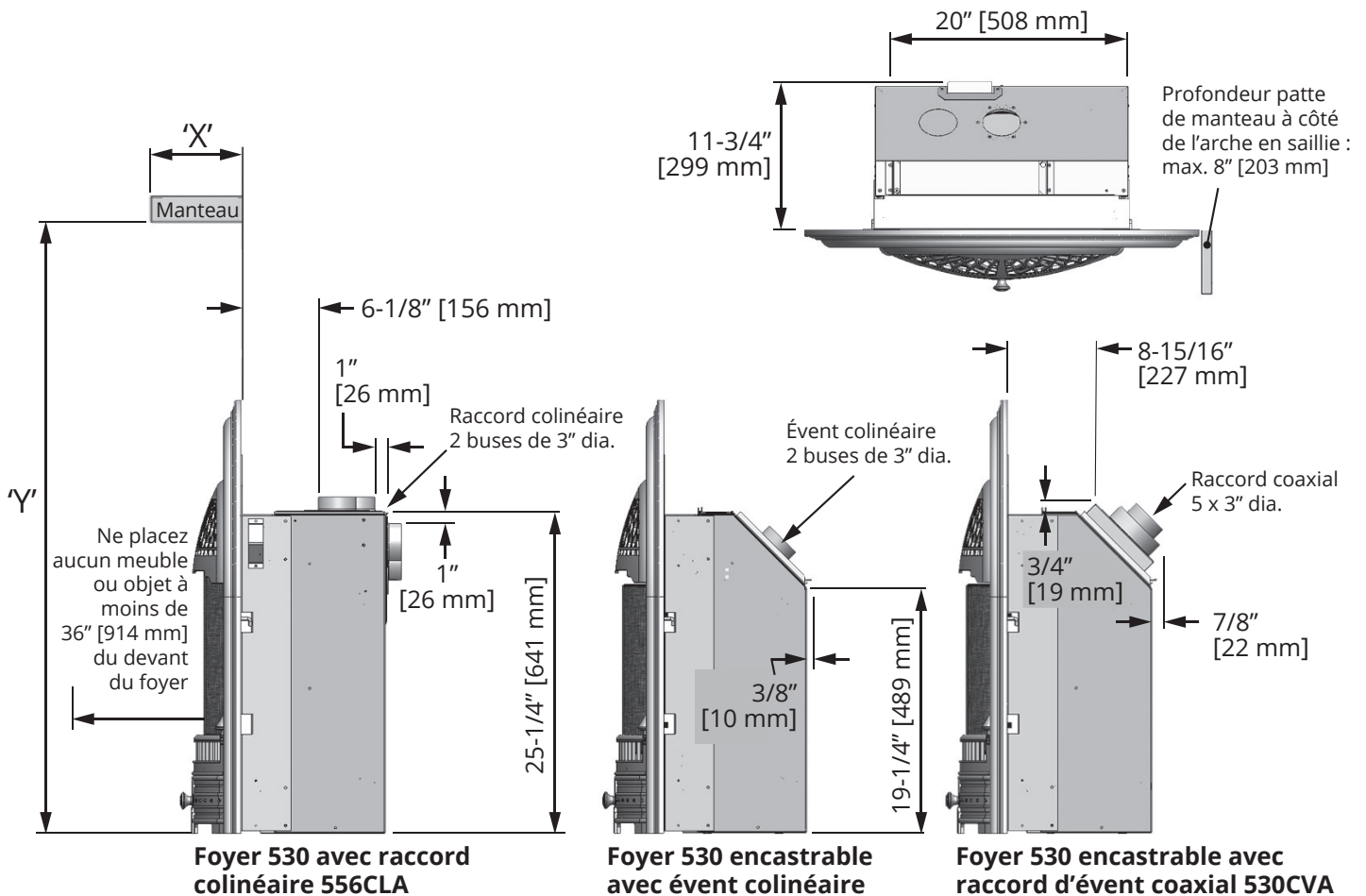


Variations de la fonte

De par leur nature, deux articles de fonte fabriqués du même moule peuvent montrer de légères variations dans leurs dimensions et leur finition. Nous faisons tout ce qui est possible pour limiter ces variations qui ne peuvent cependant pas être éliminées.

Dimensions pour encastrables - 3 installations possibles

Ces dimensions ne s'appliquent qu'aux installations dans des foyers incombustibles avec les Arches de fontes 549

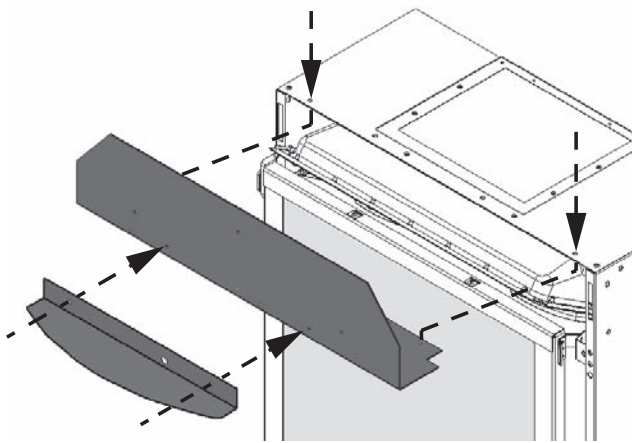


Dégagements pour manteau de cheminée

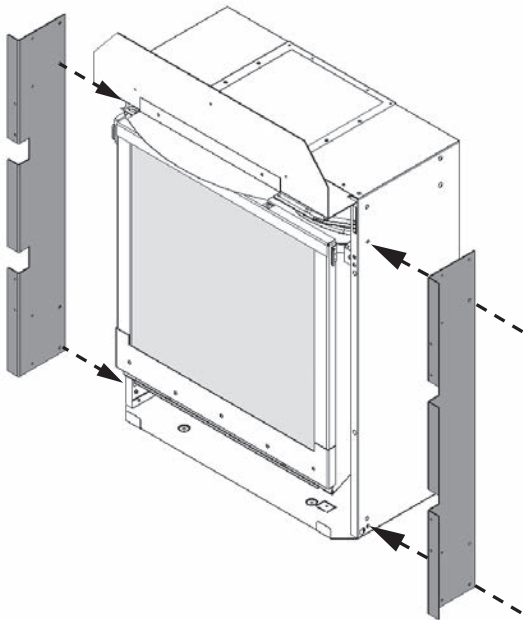
'X'	'Y'
1"-6" (25-152 mm)	34" (864 mm)
7"-8" (178-203 mm)	36" (914 mm)
9"-12" (229-309 mm)	38" (965 mm)
12" (305 mm) +	38" (965 mm) + 1" (25 mm) pour chaque pouce au dessus de 12" (305 mm)

Installation (encastrable)

1. **Placez le déflecteur du haut** sous le panneau de dessus de la boîte de foyer. Fixez-le avec 2 vis auto-formeuses. Fixez le déflecteur d'air au déflecteur du haut avec 2 vis fournies tel qu'indiqué.



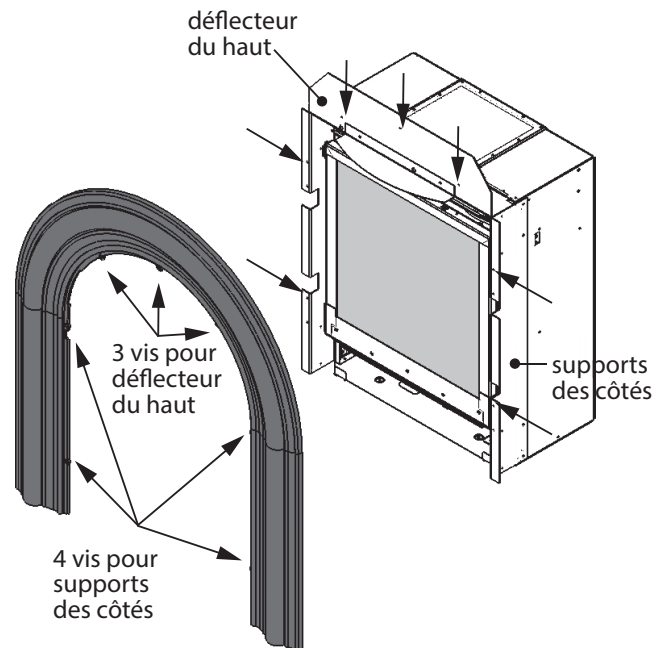
2. **Placez les supports de montage des côtés** tel qu'indiqué et alignez les trous de montage avec ceux des côtés de la boîte de foyer. Fixez les supports de côtés au foyer à l'aide des vis fournies—2 vis par côté.



3. **Fixez solidement l'arche extérieure à l'appareil** à l'aide des vis auto-taraudeuses fournies, tel que montré. Serrez les vis assez pour assurer un bon ajustement entre l'arche de fonte et les pièces de métal.

(Il peut être nécessaire de percer à nouveau les trous pilotes de 1/8" pour les vis auto-taraudeuses, afin de compenser pour les variations associées à la fabrication de l'arche de fonte.)

Note : Le poids de l'arche de fonte ne doit pas être porté par son assemblage au foyer. L'arche doit reposer sur la base de foyer ou le plancher fini ou être fixée solidement au mur.



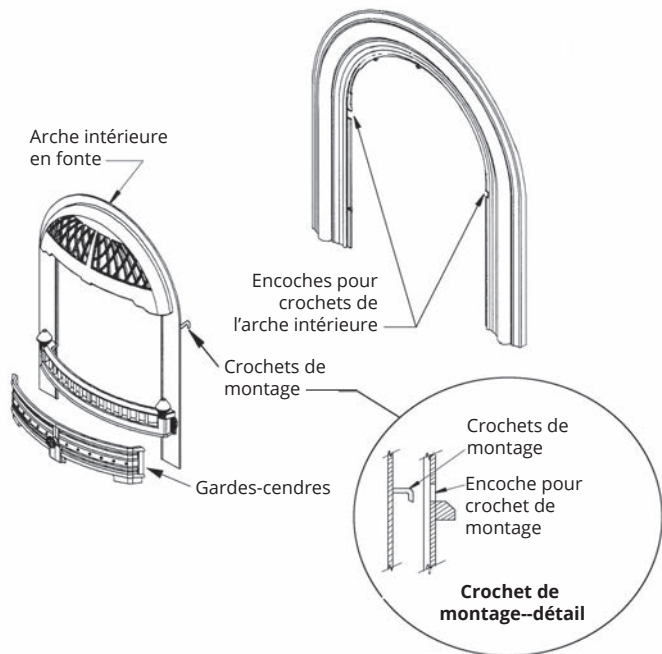
4. **Accrochez l'arche intérieure.** Insérez les crochets dans les encoches de l'arche extérieure. L'espace entre l'arche intérieure et l'arche extérieure peut être resserré en pliant les crochets légèrement vers l'intérieur.

Ne pliez pas trop les crochets afin d'éviter que l'arche intérieure soit difficile à enlever lorsque nécessaire!

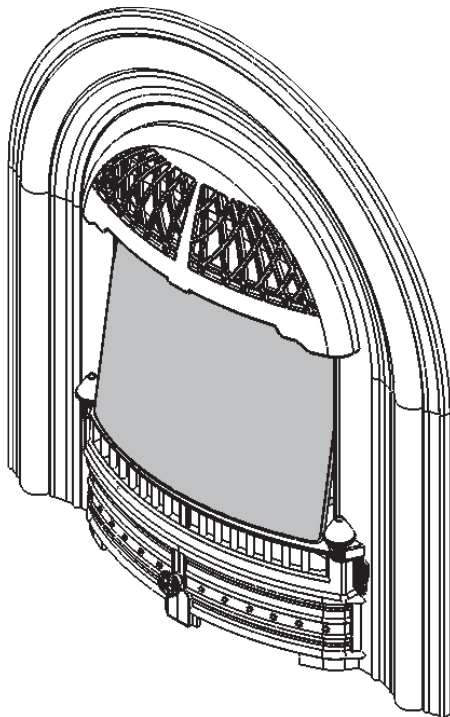
Si c'est le cas, insérez un tourne-vis dans l'espace entre l'arrière de l'arche intérieure et le foyer et vous devriez être capable de libérer l'arche intérieure de l'arche extérieure. **Ne frappez pas les crochets avec un marteau car cela pourrait briser la soudure qui les retient à l'arche.**

Glissez le garde-cendres au bas de l'arche tel que montré.

Note : Il est important que la base de foyer soit égale au bas du foyer sinon le garde-cendres ne sera pas à la bonne hauteur.



5. Installez le pare-étincelles insérant ses crochets du haut en premier. Glissez le pare-étincelles vers le haut légèrement sous la voûte, insérez les crochets du bas et glissez le pare-étincelles vers le bas pour qu'il repose sur le dessus du garde-cendres.



Entretien

⚠ AVERTISSEMENT

NE TOUCHEZ PAS LE PARE-ÉTINCELLES, LA DEVANTURE OU LA FENÊTRE LORSQU'ILS SONT CHAUDS! Laissez le foyer refroidir avant de le nettoyer.

⚠ AVERTISSEMENT

POUR DES RAISONS DE SÉCURITÉ, assurez-vous que le pare-étincelles soit réinstallé sur le foyer après l'entretien.

Pour nettoyer le pare-étincelles et les surfaces matte noire en fonte, utilisez une brosse souple.

Si le pare-étincelles est endommagé, il doit être remplacé par le pare-étincelles conçu par le fabricant pour cet appareil.

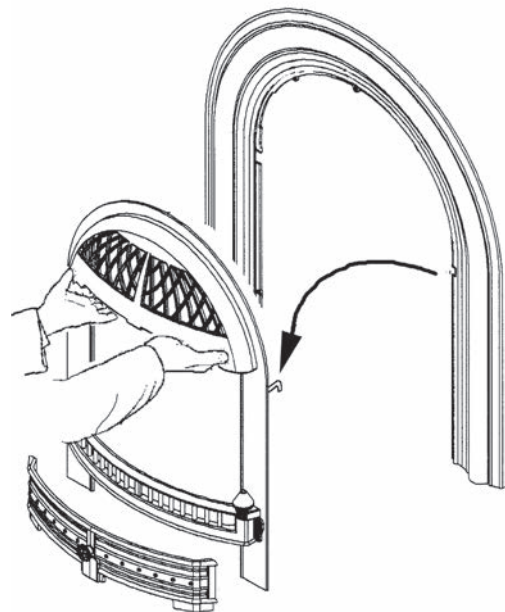
Pour nettoyer les surfaces polie en fonte, utilisez une solution d'eau et savon doux.

Pour nettoyer la vitre de la fenêtre du foyer, consultez le guide du consommateur fourni avec le foyer.

Enlèvement de l'arche

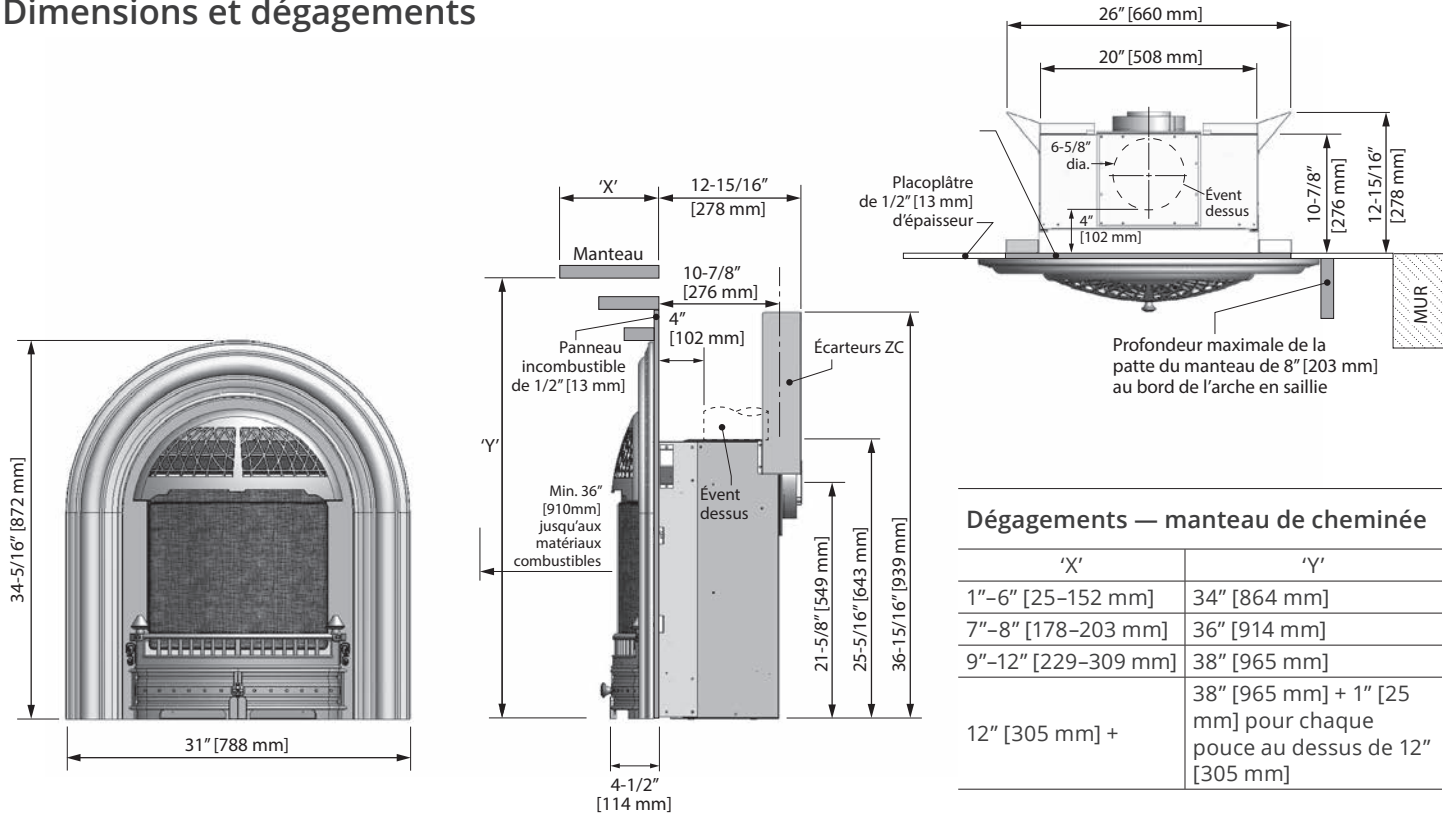
1. Enlevez le pare-étincelles en le poussant vers le haut puis tirant le bas.
2. Enlevez le garde-cendres au bas.
3. Décrochez l'arche intérieure.

Toujours remettre la fenêtre, la devanture et le pare-étincelles en place et les fixer solidement avant d'allumer le foyer.



APPLICATIONS À DÉGAGEMENT ZÉRO—FOYER 530IN/IP ZC SEULEMENT (549AFBv2/549AFPv2 utilisant la trousse 549ZCK)

Dimensions et dégagements



Dégagements — manteau de cheminée

'X'	'Y'
1"–6" [25–152 mm]	34" [864 mm]
7"–8" [178–203 mm]	36" [914 mm]
9"–12" [229–309 mm]	38" [965 mm]
12" [305 mm] +	38" [965 mm] + 1" [25 mm] pour chaque pouce au dessus de 12" [305 mm]

Exigences pour la dalle de protection

Une dalle de protection *incombustible* n'est pas nécessaire en avant du foyer.

Dans toutes les installations, la surface de la dalle de protection devant le foyer ou la finition du plancher doit être égale au bas du foyer afin de fournir un appui nécessaire pour l'arche de fonte et la hauteur requise pour le garde-cendres.

Exigences pour le plancher

Le foyer 530 est homologué pour installation directement sur un plancher combustible **sauf** sur des recouvrements souples comme la moquette ou le vinyle.

Exigences pour le manteau de cheminée

Les Arches de cette série sont conçues pour installation avec des manteaux de cheminée combustibles à condition de respecter les dégagements indiqués aux schémas *Dimensions et dégagements* ci-dessous et à la page suivante.

L'arche extérieure 539 et 550 (avec plaque) peut également être installée sans manteau de cheminée à condition de respecter les dégagements indiqués.

Prenez note que, même en respectant les dégagements requis, certains matériaux combustibles, même s'ils sont

sécuritaires, peuvent, avec le temps, se décolorer, se déformer ou craquer. Sélectionnez les matériaux avec soin et consultez votre marchand au besoin.

Exigences relatives au mur

L'Arche de fonte 549 exige qu'un panneau incombustible soit installé sur la face avant de l'encastrement, au-dessus de l'arche—voir la page 21 pour connaître la dimensions minimales du panneau incombustible. Un matériau de finition combustible d'un maximum de 1" [26 mm] d'épaisseur peut être installé par-dessus le panneau incombustible. Notez la forme particulière du panneau incombustible lorsque l'arche 549 est installée sans plaque de soutien. Autrement le foyer muni des supports ne pourra pas être avancé assez pour toucher l'arrière de l'arche de fonte. Si la plaque de soutien est utilisée, les coins supérieurs du panneau incombustible peuvent être coupés à angle droit puisque la plaque les couvrira.

Variations de la fonte

De par leur nature, deux articles de fonte fabriqués du même moule peuvent montrer de légères variations dans leurs dimensions et leur finition. Nous faisons tout ce qui est possible pour limiter ces variations qui ne peuvent cependant pas être éliminées.

Encastrement

- Les dimensions d'encastrement pour l'installation du foyer 530 avec une arche 549 sont indiquées ici.
- Une dalle de protection incombustible n'est pas nécessaire devant le foyer 530.
- Le foyer 530 est homologué pour installation directement sur un plancher combustible **sauf** sur des recouvrements souples comme la moquette ou le vinyle.
- Tout encastrement doit être dégagé des écarteurs—voir Dimensions et dégagements et Schéma d'encastrement.
- La surface de la dalle de protection, égale au bas du foyer, devra supporter l'arche de fonte de même que le garde-cendres.

Profondeur minimale - certaines configurations d'évacuation peuvent exiger une cavité plus profonde

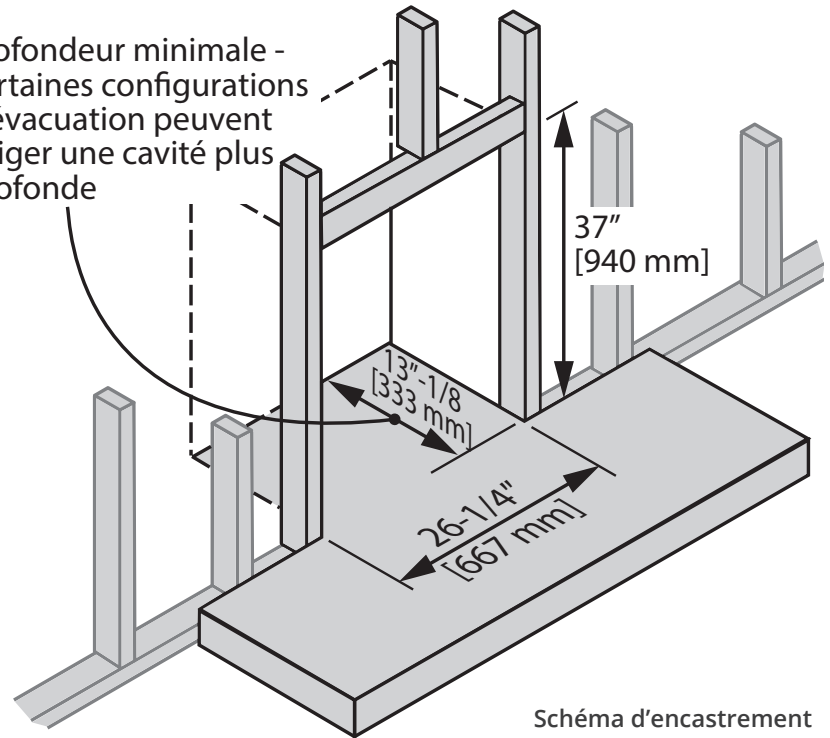
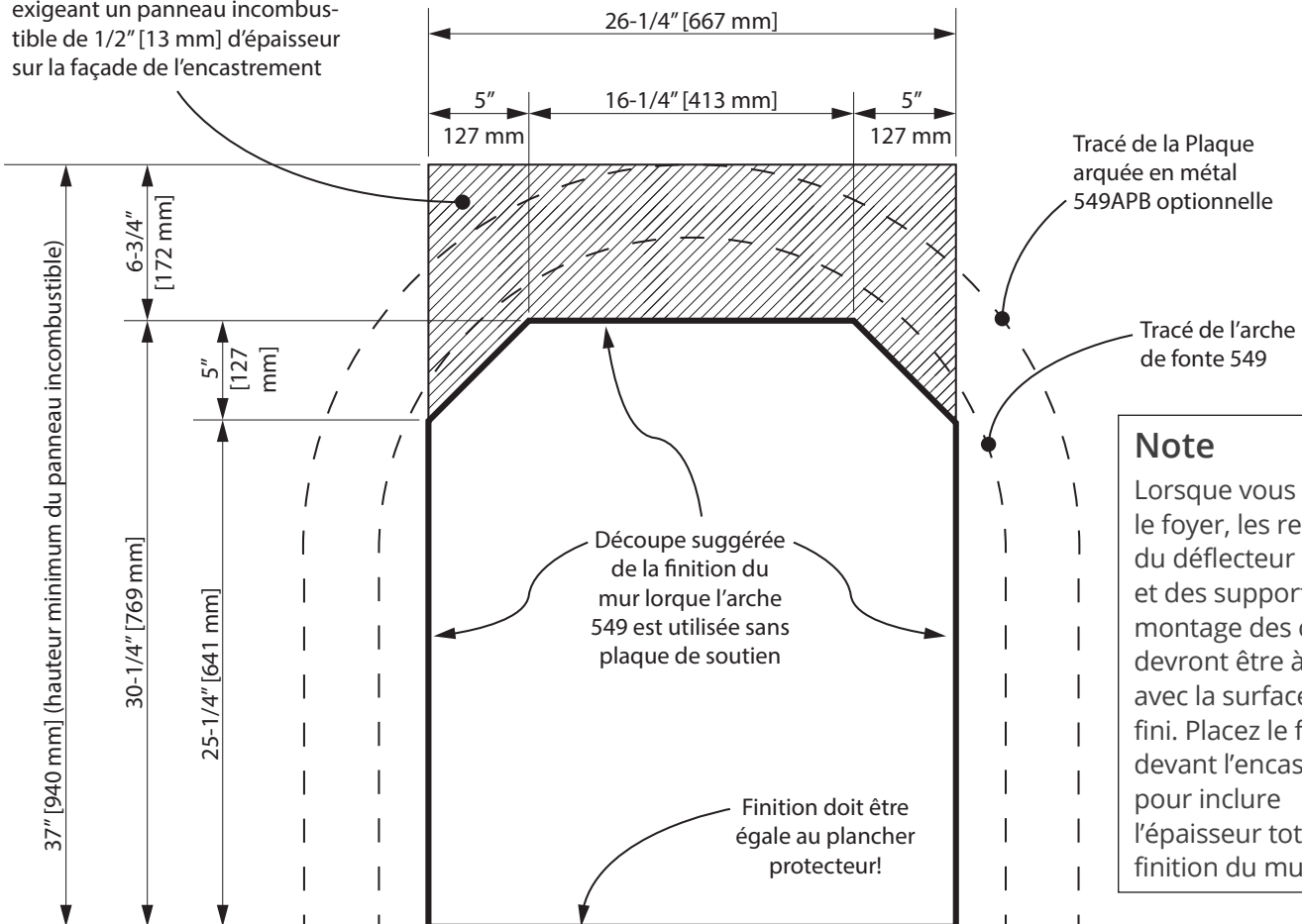


Schéma d'encastrement

Exigences de finition du mur

Zone au-dessus de l'arche exigeant un panneau incombustible de 1/2" [13 mm] d'épaisseur sur la façade de l'encastrement



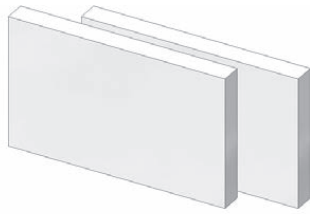
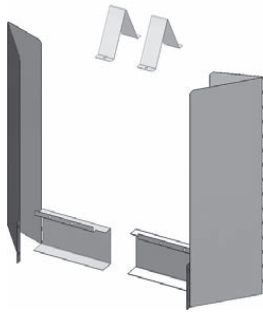
Note

Lorsque vous placez le foyer, les rebords du déflecteur du haut et des supports de montage des côtés devront être à égalité avec la surface du mur fini. Placez le foyer devant l'encastrement pour inclure l'épaisseur totale de la finition du mur.

Installation (dégagement zéro ZC)

L'installation de l'Arche 549 exige la trousse optionnelle de pièces pour dégagement zéro 549ZCK, contenant :

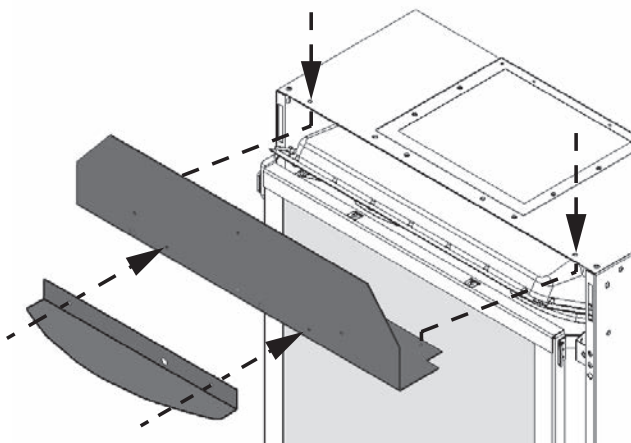
Contenu du 549ZCK



- 1 Écarteur droit
- 1 Écarteur gauche
- 2 Écarteurs des côtés
- 2 Coussins isolants

Installation

1. **Placez le déflecteur du haut** sous le panneau de dessus de la boîte de foyer. Fixez-le avec 2 vis auto-formeuses. Fixez le déflecteur d'air au déflecteur du haut avec 2 vis fournies tel qu'indiqué.



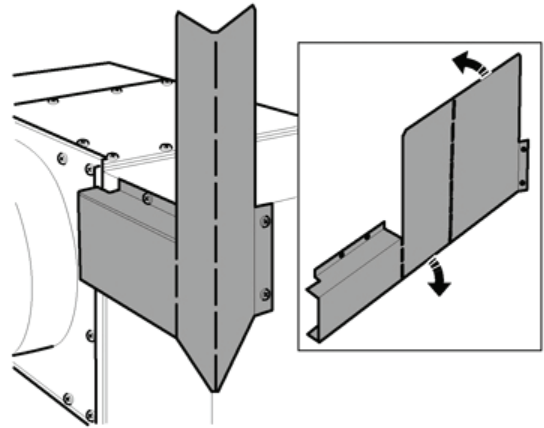
2. **Montez les écarteurs.** Les écarteurs, un droit et un gauche, sont fournis à plat.

AVERTISSEMENT

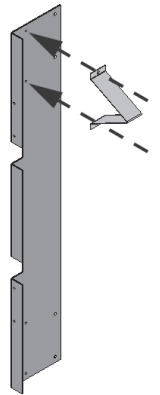
Risque d'incendie si les écarteurs ne sont pas installés.

- a. Enlevez les 2 vis près des deux coins supérieurs arrières de la boîte de foyer et 2 vis près des deux coins supérieurs arrières des côtés.
- b. Pliez les écarteurs tel qu'indiqué.
- c. Fixez les écarteurs à l'arrière de la boîte de foyer avec les vis retirées précédemment.
- d. Pliez les ailerons des écarteurs et alignez les 2 trous avec les trous des côtés de la boîte de foyer.

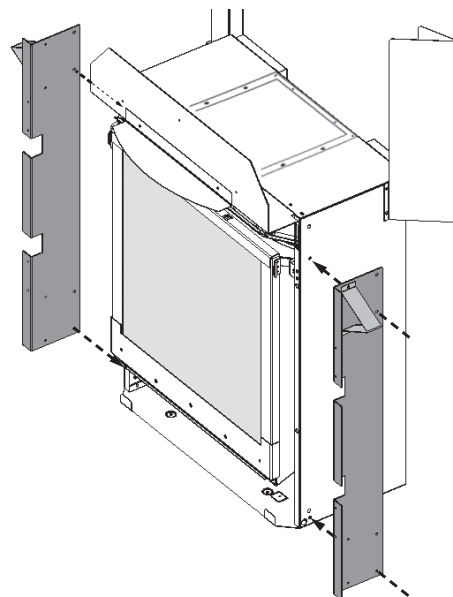
- e. Fixez les écarteurs avec les vis retirées précédemment.



3. **Fixez les petits écarteurs aux supports de montage des côtés** à l'aide des vis fournies tel qu'indiqué—2 vis par côté.



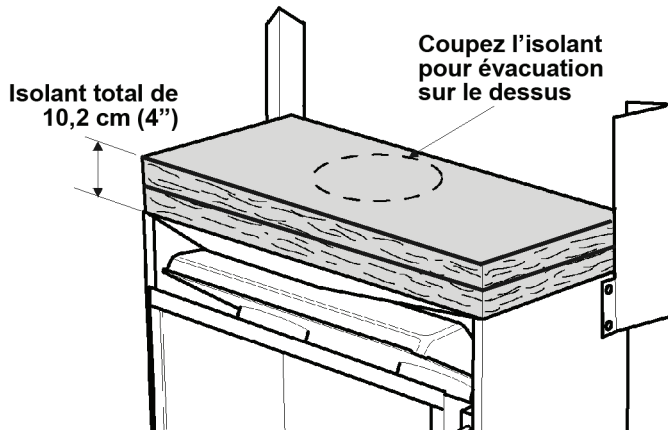
4. **Placez les supports de montage des côtés** tel qu'indiqué et alignez les trous de montage avec ceux des côtés de la boîte de foyer. Fixez les supports de côtés au foyer à l'aide des vis fournies—2 vis par côté.



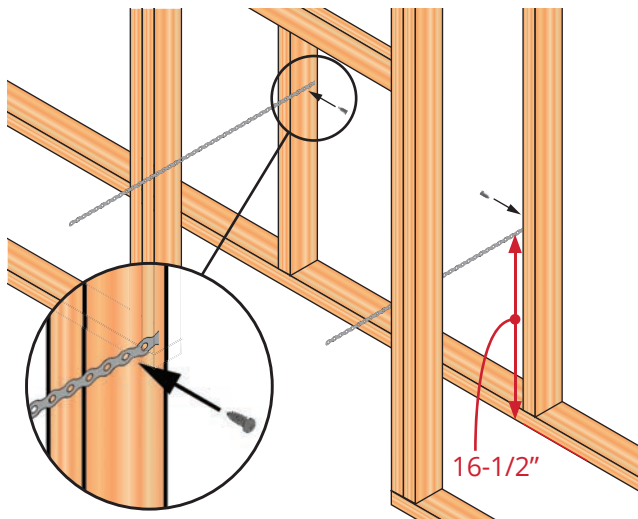
5. **Placez le coussin isolant.** Pour les installations à évacuation par le dessus, découpez un cercle au centre du coussin isolant pour faciliter le passage du conduit d'évacuation. Placez les deux couches du coussin isolant sur le dessus de la boîte de foyer à l'intérieur des écarteurs.

⚠ AVERTISSEMENT

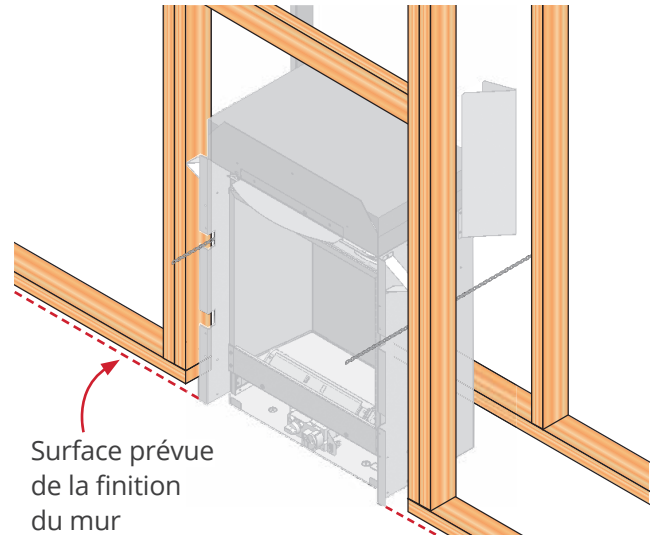
Risque d'incendie si l'isolant n'est pas installé.



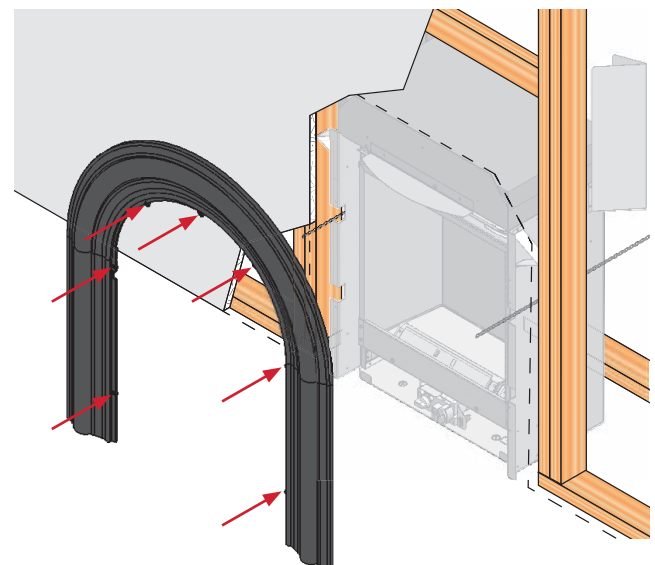
6. **Avant d'installer le foyer dans l'encastrement,** fixez deux longueurs de courroie de plomberie (non inclus) à un point solide à l'arrière de l'encastrement, à une hauteur de 16-1/2" de la surface où sera située la base du foyer. Les courroies devraient être assez longues pour dépasser l'avant de l'encastrement d'au moins 6".



7. **Placez le foyer dans l'encastrement** et insérez les courroies de plomberie vers l'avant dans les fentes supérieures des supports de montage de chaque côté. Le foyer doit dépasser en avant de l'encastrement pour que ses supports soient égaux à la surface prévue de la finition du mur.



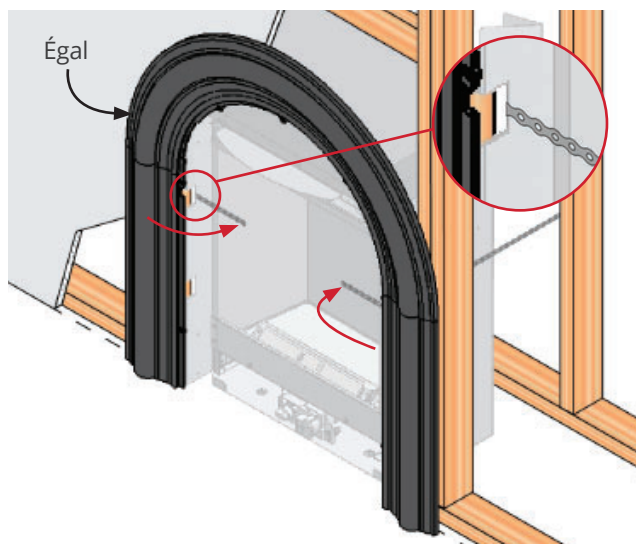
8. **Installez le système de ventilation et branchez l'alimentation de gaz.** Note : Si vous installez le tuyau d'évacuation sur le dessus du foyer, **assurez-vous de maintenir assez de dégagement** entre le tuyau et le linteau au-dessus du foyer.
9. **Fixez le foyer temporairement au plancher.** Assurez-vous que les courroies de plomberie soient toujours insérées dans les ouvertures supérieures des supports des côtés.
10. **Complétez la finition du mur**—voir page 21 pour détails.
11. **Fixez l'arche extérieure aux supports des côtés et au déflecteur du haut** à l'aide des sept vis auto-taraudeuses fournies.



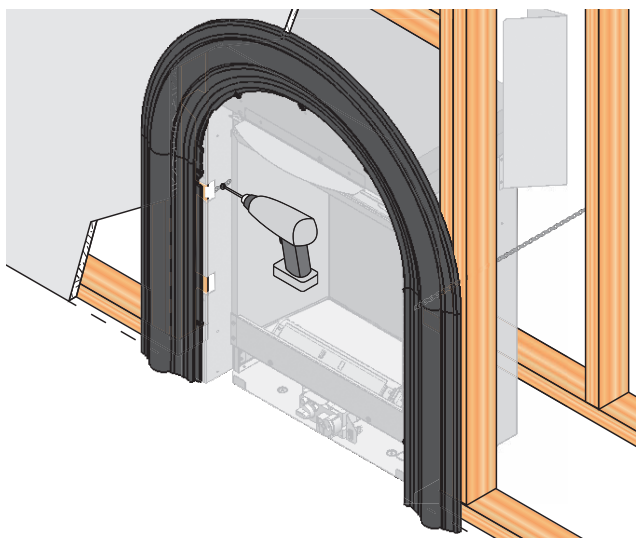
Serrez les vis assez pour assurer un bon ajustement entre la plaque de fonte et les pièces de métal. (Il peut être nécessaire de percer à nouveau les trous pilotes de 1/8" pour les vis auto-taraudeuses, afin de compenser pour les variations associées à la fabrication de l'arche de fonte.)

Note : Le poids de l'arche de fonte ne doit pas être porté par son assemblage au foyer. L'arche doit reposer sur la dalle de foyer ou le plancher fini ou être fixée solidement au mur.

12. **Enlevez la fenêtre du foyer** et mettez-la de côté.
13. **Tirez les courroies de plomberie vers l'intérieur et serrez-les**, ramenant les côtés du foyer vers l'intérieur tout en serrant l'arche contre la finition du mur.

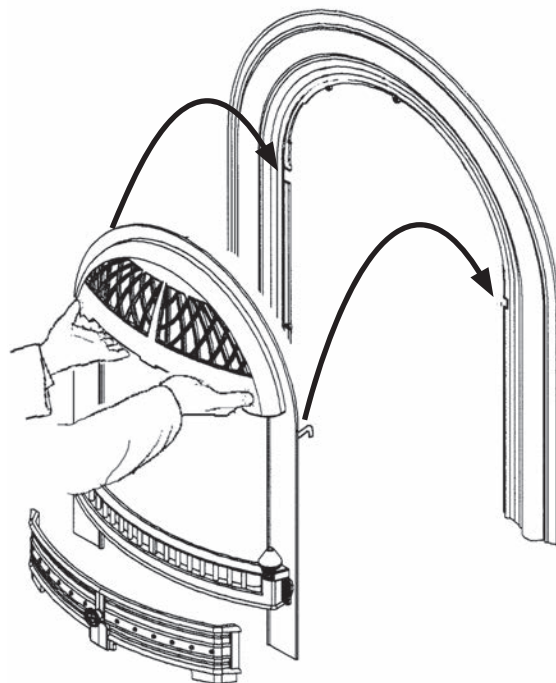


Vissez les courroies à l'intérieur des supports des côtés pour vous assurez que l'arche de fonte demeure tout contre le mur. Il est possible que vous deviez percer des trous pilotes.



14. **Réinstallez la fenêtre** sur le foyer.

15. **Accrochez l'arche intérieure.** Insérez les crochets dans les encoches de l'arche extérieure. L'espace entre l'arche intérieure et l'arche extérieure peut être resserré en pliant le crochets légèrement vers l'intérieur.

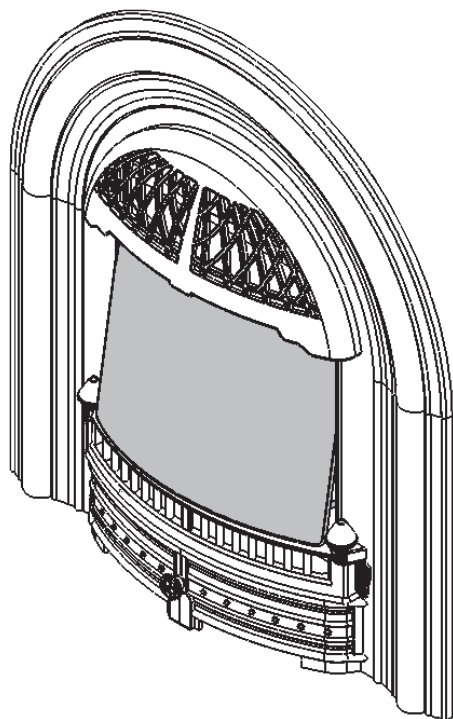


Ne pliez pas trop les crochets afin d'éviter que l'arche intérieure soit difficile à enlever lorsque nécessaire!

Si c'est le cas, insérez un tourne-vis dans l'espace entre l'arrière de l'arche intérieur et le foyer et vous devriez être capable de libérer l'arche intérieure de l'arche extérieure. **Ne frappez pas les crochets avec un marteau car cela pourrait briser la soudure qui les retient à l'arche.**

16. Glissez le garde-cendres au bas de l'arche tel que montré.
Note : Il est important que la dalle de foyer soit égale au bas du foyer sinon le garde-cendres ne sera pas à la bonne hauteur.

17. Installez le pare-étincelles insérant ses crochets du haut en premier. Glissez le pare-étincelles vers le haut légèrement sous la voûte, insérez les crochets du bas et glissez le pare-étincelles vers le bas pour qu'il repose sur le dessus du garde-cendres.



Entretien

⚠ AVERTISSEMENT

NE TOUCHEZ PAS LE PARE-ÉTINCELLES, LA DEVANTURE OU LA FENÊTRE LORSQU'ILS SONT CHAUDS! Laissez le foyer refroidir avant de le nettoyer.

⚠ AVERTISSEMENT

POUR DES RAISONS DE SÉCURITÉ, assurez-vous que le pare-étincelles soit réinstallé sur le foyer après l'entretien.

Pour nettoyer le pare-étincelles et les surfaces matte noire en fonte, utilisez une brosse souple.

Si le pare-étincelles est endommagé, il doit être remplacé par le pare-étincelles conçu par le fabricant pour cet appareil.

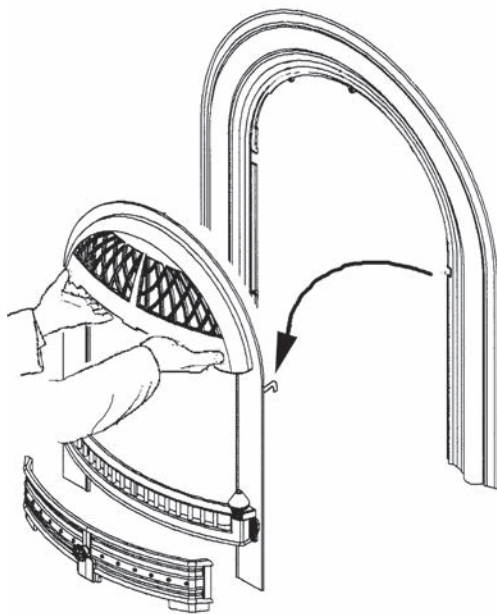
Pour nettoyer les surfaces polie en fonte, utilisez une solution d'eau et savon doux.

Pour nettoyer la vitre de la fenêtre du foyer, consultez le guide du consommateur fourni avec le foyer.

Enlèvement de l'arche

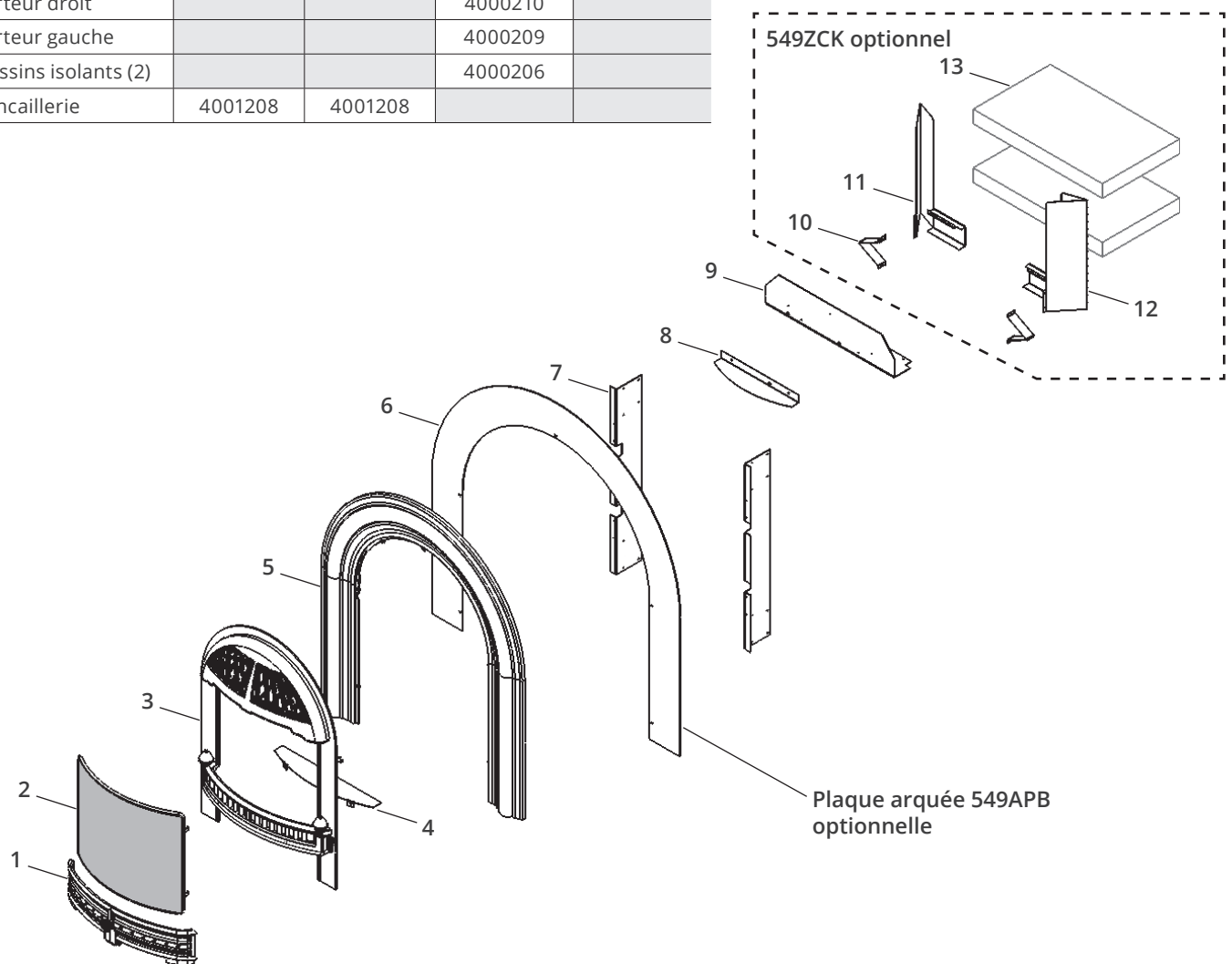
1. Enlevez le pare-étincelles en le poussant vers le haut puis tirant le bas.
2. Enlevez le garde-cendres au bas.
3. Décrochez l'arche intérieure.

Toujours remettre la fenêtre, la devanture et le pare-étincelles en place et les fixer solidement avant d'allumer le foyer.



PIÈCES DE REMPLACEMENT (549AFBv2, 549AFPv2, 549ZCK)

	Description	549AFBv2 Noire	549AFPv2 Polie	549ZCK Kit optionnel, non-inclus	549APB optionnel, non-inclus
1	Garde-cendres	4000241AH	4000241		
2	Pare-étincelles	4003290	4003290		
3	Arche intérieure	4000240AH	4000240		
4	Cloison de foyer	4000347	4000347		
5	Arche extérieure	4000414AH	4000414		
6	Plaque arquée noire				549APB
7	Supports de montage des côtés (2)	4005074AH	4005074AH		
8	Déflexeur d'air	4000205	4000205		
9	Déflexeur du haut	4005075AH	4005075AH		
10	Écarteurs 3", côtés (2)			4005076	
11	Écarteur droit			4000210	
12	Écarteur gauche			4000209	
13	Coussins isolants (2)			4000206	
	Quincaillerie	4001208	4001208		



Parce que nous favorisons une politique de développement continu, certains détails de la présente publication peuvent varier.

Conçue et fabriquée par / pour

Miles Industries Ltd.

190 - 2255 Dollarton Highway, North Vancouver, BC, CANADA V7H 3B1

Tél. 604-984-3496 Téléc. 604-984-0246

www.foyervalor.com