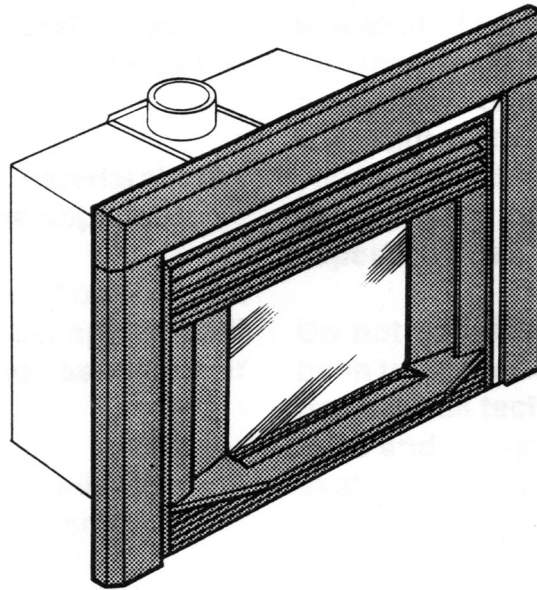




Valor Legend

MODEL 736XN
FOR USE WITH NATURAL GAS

MODEL 736XP
FOR USE WITH PROPANE



INSTALLER'S & OWNER'S MANUAL

INSTALLER – PLEASE LEAVE THIS MANUAL WITH THE HOME OWNER

FOR YOUR SAFETY

Do not store or use gasoline or other flammable liquids in the vicinity of this or any other appliance.

WARNING: Improper installation, adjustment, alteration, service or maintenance can cause injury or property damage. Refer to this manual. For assistance or additional information consult a qualified installer, service agency or the gas supplier.

Massachusetts: The gas piping and the final gas connection must be performed by a licensed plumber or gas fitter in the State of Massachusetts.

FOR YOUR SAFETY

WHAT TO DO IF YOU SMELL GAS

- ▶ Open windows
- ▶ Do not try to light any appliance
- ▶ Do not touch any electrical switches
- ▶ Do not use any phone in your building
- ▶ Extinguish any open flame
- ▶ Immediately call your gas supplier from a neighbor's phone. Follow the gas supplier's instructions.
- ▶ If you cannot reach your gas supplier, call the fire department.

Installation of this appliance in a bedroom is prohibited in the State of Massachusetts.

CAUTION

WARNING: Do not operate the appliance with the glass front removed, cracked or broken. Replacement of the glass should be done by a licensed or qualified service person. (The front frame and glass window may be temporarily removed by the owner for cleaning the interior of the firebox, etc. The frame and window must be put back prior to operating the appliance.)

- i. Only the authorized Valor replacement window unit listed in the repair parts booklet must be fitted - never use substitutes.

If the glass is damaged search inside and adjacent to the appliance for any glass fragments.

Due to high temperatures, the appliance should be located out of traffic and away from furniture and draperies.

Children and adults should be alerted to the hazards of high surface temperatures and should stay away to avoid burns or clothing ignition.

Young children should be carefully supervised when they are in the same room as the appliance.

Clothing or other flammable material should not be placed on or near the appliance.

This appliance must be installed and repaired by a qualified service person. The appliance should be inspected before use and at least annually by a professional service person. More frequent cleaning may be required due to excessive lint from carpeting, bedding material, etc. It is imperative that control compartments, burners and circulating air passageways of the appliance are kept clean. This appliance should be installed and repaired by a qualified service person.

Keep curtains, clothing, furniture and other flammable materials at least 36ins (90cm) from the front and top of the appliance.

Keep the appliance area well clear and free from combustible materials, gasoline and other flammable vapors and liquids.

Never attempt to burn paper or any other material in the appliance.

Keep the area in front of the bottom grill clear to prevent obstruction of air flow to the appliance for combustion.

This appliance requires a source of fresh air in order to vent properly. The venting system should be checked periodically.

Recent trends in home improvement and new tighter construction techniques have contributed to problems with venting. If you suspect that your appliance is not venting correctly, do not operate – seek expert advice.

Do not use this appliance if any part has been under water. Immediately call a qualified service technician to inspect the appliance and to replace any part of the control system and any gas control which has been under water.

If any changes are made to the room construction in the vicinity of the appliance after installation (e.g. additional mantle etc.) make sure that the changes conform to the installation requirements in this manual.

When equipped with the optional circulating fan kit (Part #710CFK) or power vent kit (Part #720PVC), the appliance must be installed and electrically grounded in accordance with local codes or, in the absence of local codes, with the latest edition of the National Electrical Code ANSI/NFPA 70 (in USA) or CSA C22-1 Canadian Electrical Code.

This appliance must be properly connected to a venting system. It is equipped with a vent safety shutoff system. Operating when not connected to a properly installed and maintained venting system or tampering with the shutoff system can result in carbon monoxide (CO) poisoning and possible death.

NOTE

When operating your new furnace for the first time, some vapors may be released which may cause a slight odor and could possibly set off any smoke detection alarms in the immediate vicinity. These vapors are quite normal on new appliances. They are totally harmless and will disappear after a few hours use.

1. INSTALLATION INSTRUCTIONS

1.1 OPTIONAL ACCESSORIES

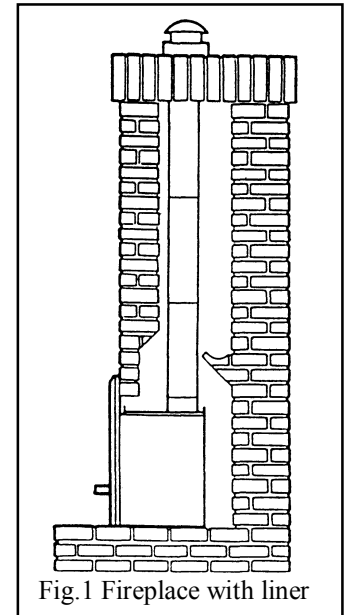
The following kits can be used with this appliance:

- i. **#700ZCK Zero Clearance Kit** – Required for use with a new zero clearance type installation (See possible installations section following).
- ii. **#710CFK Circulating Fan Kit** – Operated by a variable speed controller. It is designed to boost the natural convection process through the Legend. The circulating fan may be installed before the Legend is installed or retrofitted at a later date.
- iii. **#720PVC Power Vent Conversion Kit** – Designed to boost ventilation in environments where conventional gravity ventilation may, at times, give a low pull. This kit will be required for sidewall venting (See possible installations section following). The power vent system may be used in combination with either the #700ZCK or #730FSK kits.
- iv. **#677FSK 4" Black Beveled Trim** - Covers 25¹/₂" high x 39¹/₂" wide.
- v. **#740 Beveled Brass Outer Trim** – Optional brass trim for use with #677FSK.
- vi. **#678FSK 2¹/₂" Black Contoured Trim** – Covers 23¹/₂" high x 36¹/₂" wide.
- vii. **#679FSK 2¹/₂" Etched Champagne Contoured Trim** – Covers 23¹/₂" high x 36¹/₂" wide.
- viii. **#2945 Brass Closure Plate** – Extends trim to cover 29" high x 45" wide.

1.2 POSSIBLE INSTALLATIONS

This appliance can be installed either:

- i. As an insert in an existing solid fuel type fireplace with a chimney and 4" dia. liner – See figure 1. The fireplace must be built in accordance with the national, state, provincial or territorial building code recognized by the authority having jurisdiction, or, in the absence of such a code, in accordance with the National Building Code of Canada or the National Fire Protection Association Code in the USA. The size of the fireplace recess must be sufficient to accommodate the fireplace case as shown in figure 2.



The chimney must be swept and both chimney and fireplace checked for soundness before installation of the appliance.

The liner must be a type approved by the enforcing authority and installed in accordance with the liner manufacturer's instructions.

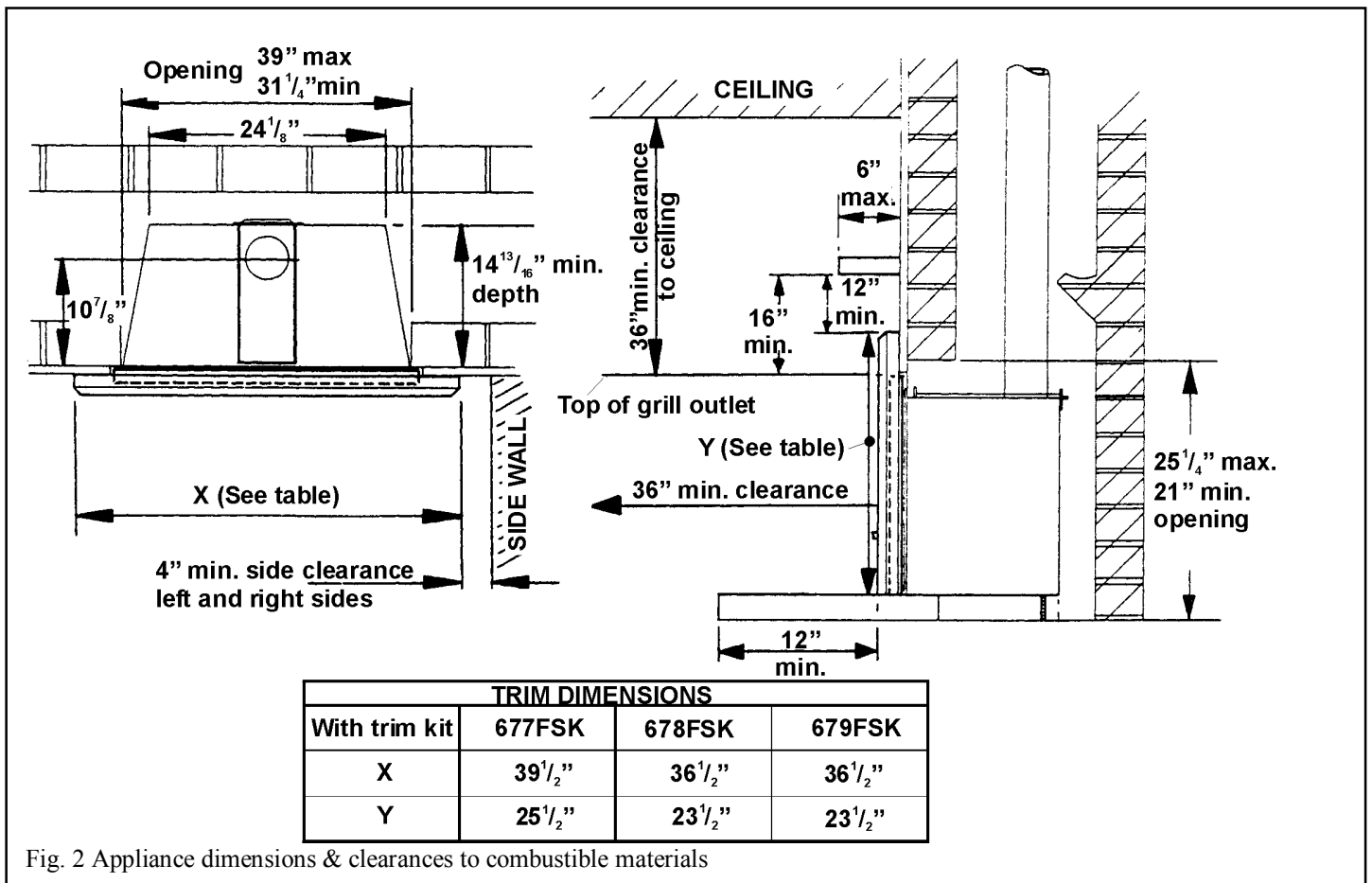


Fig. 2 Appliance dimensions & clearances to combustible materials

- ii. As a zero clearance installation fitted with the optional part #700ZCK kit, the appliance may be installed into a minimum sized enclosure constructed of combustibile building materials and connected to an approved type "B" vent. This kit (complete with full installation details) is available from your dealer.
- iii. With a sidewall vent. For this application, the appliance must be converted to a power vent system using the #720PVC power vent conversion kit. This allows the appliance to sidewall vent through any approved 4" dia. vent to a remote fan/hood up to 75 feet from the appliance.

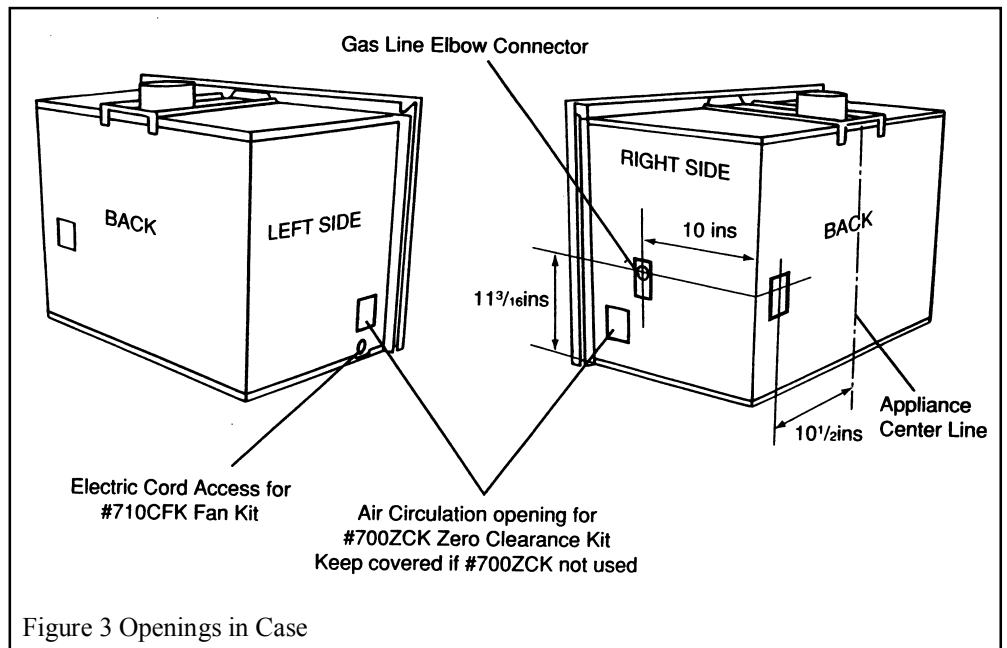


Figure 3 Openings in Case

All installations must conform with local codes or, in the absence of local codes, with the *National Fuel Gas Code ANSI Z223.1* or the *Canadian Installation Code CAN/CGA-149*. Only qualified licensed or trained personnel should install the appliance. This appliance is not intended for use with a thermostat.

1.3 HIGH ALTITUDE INSTALLATIONS

This appliance has been tested for installation at high altitude to CAN/CGA 2.17-M91. This standard simulates operation up to 4500ft.

Natural Gas appliances comply with this standard without deration of normal rated input.

Propane appliances require a 10% deration over 2000ft.

In Canada, installations above 4500ft. will require approval of the authority having jurisdiction.

In the USA, the National Fuel Utilization Code specifies that appliances installed at over 2000ft. altitude shall be derated by 4% per 1000ft. altitude. However, these appliances have been specifically field-tested for high altitude performance.

Therefore, deration of Natural Gas appliances is not necessary or recommended for installations up to 7000ft. For Propane appliances a total deration of 10% for all altitudes above 2000ft. and up to 7000ft. is required. Above 7000ft. derate Natural gas appliances by 4% for each 1000ft. above 7000ft. Derate Propane appliances by 4% for each 1000ft. above 7000ft. plus 10%.

1.4 SUPPLY GAS

Model 736XN is for use only with Natural Gas. The natural gas supply pressure at the appliance inlet connection should be not less than 5" w.c. and not more than 10.5" w.c.

Model 736XP is for use only with Propane Gas. The propane supply pressure at the appliance inlet connection should be not less than 11" w.c. and not more than 14" w.c.

The supply connection to all appliances is $\frac{3}{8}$ " NPT.

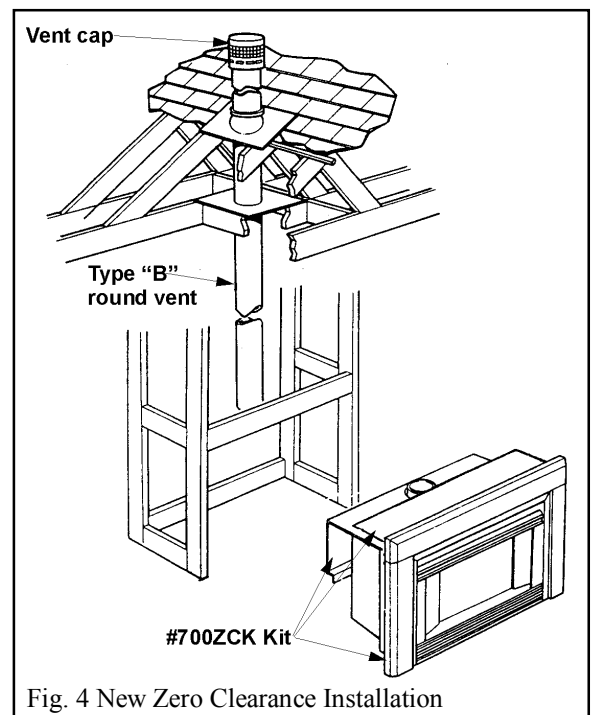


Fig. 4 New Zero Clearance Installation

1.4.1 Gas Feed Line

The supply gas feed line should enter the appliance through one of the openings in the appliance case. Openings are provided at the back and right side. See figure 3. See section 4 for gas supply connection details.

1.5 CLEARANCES TO COMBUSTIBLE CONSTRUCTIONS

The minimum clearances from any combustibile constructions at the front of the appliance are shown in figure 2. These front clearances apply to all installations – Whether in a solid fuel fireplace, new zero clearance construction or free standing. If it is intended to fit the appliance in a combustibile recess, the Zero Clearance Kit #700ZCK (available from your dealer) must be used as shown in figure 4.

1.6 FLOOR

The floor in the fireplace recess must be sufficiently flat and level to support the appliance satisfactorily. Some fireplace constructions have a well in the floor at the back, which may need to be filled in. Do not place the appliance on carpeting, vinyl or other soft-surface floor coverings. Install only on hard surfaced materials. We recommend that a hard surfaced hearth area be maintained at least 12" in front of the fireplace for both aesthetic and maintenance purposes. This may be finished in brick, ceramic tile, marble etc. Raising the hearth slightly will help to minimize dust and lint accumulation under the unit.

If the appliance is installed directly on any combustible material other than wood flooring, the appliance shall be installed on a metal or wood panel extending the full width and depth of the appliance.

1.7 PACK CONTENTS

The pack contains:

- 1 Appliance fitted with front unit.
- 4 Ceramic logs.
- 1 Pair of ceramic firebox side walls.
- 1 Ceramic firebox back wall.
- 1 Supply line elbow connector.

Take care when removing the contents from the packaging to prevent damage.

Check that all the contents are in the pack and are undamaged.

2. INSTALLING IN AN EXISTING FIREPLACE

2.1 PRE-INSTALLATION PREPARATION

2.1.1 Closing Large Fireplace Openings

This appliance is suitable for fireplace openings from 21" to 25¹/₄" high and 31¹/₄" to 39" wide. For infilling larger fireplace openings the fireplace opening may be reduced or the outer surround plate extended provided non-combustible materials are used.

2.1.2 Remove Inner Front Unit

Unhook the inner front unit and lift clear (see figure 5). Put the unit in a safe place.

2.1.3 Remove Window and Logs

See figure 6.

1. Detach the window unit by removing the two knurled screws situated at the bottom corners of the unit.
2. Lift the window unit up and forwards to unhook the top. Put the window in a safe place.
3. Take the ceramic logs out of the firebox and store in a safe place.

2.1.4 Remove the Front Frame

Detach the front frame by unscrewing two screws each side. The lower screws are accessible when the bottom grill is opened. See figure 7.

2.1.5 Remove the Vent Connection Unit

Detach the vent connection unit from the top of the appliance case by removing the screw at the front and lifting the unit clear. See figure 8.

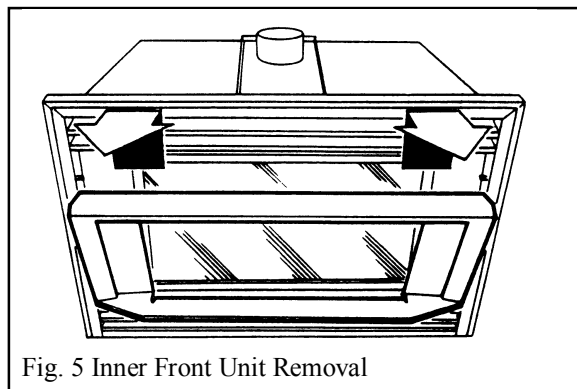


Fig. 5 Inner Front Unit Removal

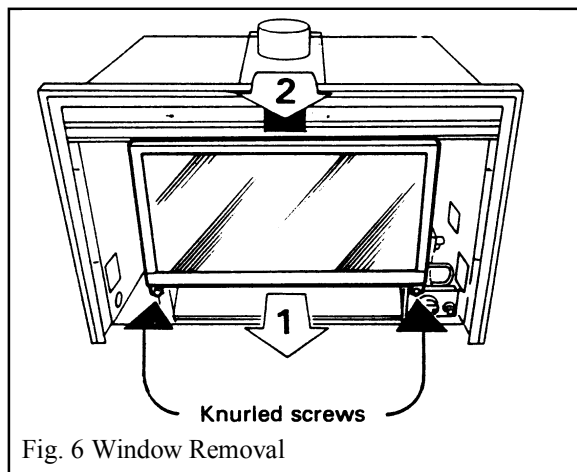


Fig. 6 Window Removal

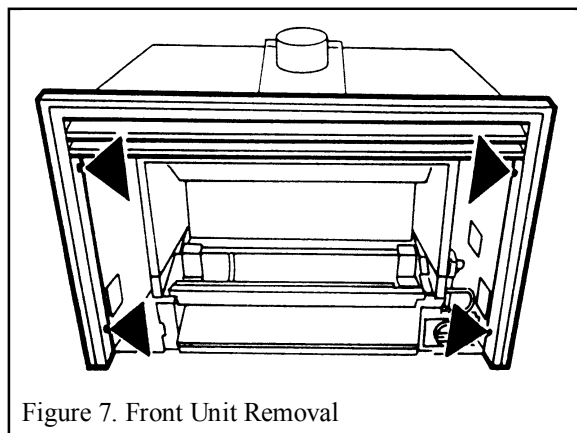


Figure 7. Front Unit Removal

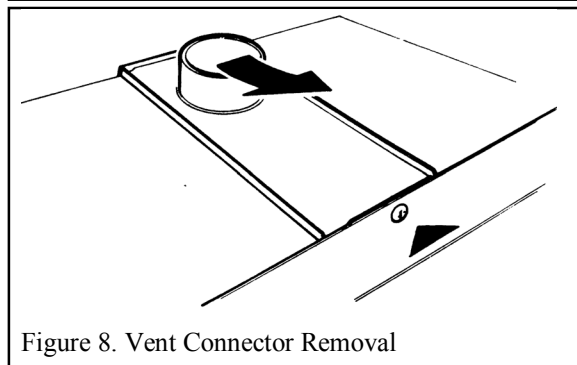


Figure 8. Vent Connector Removal

2.1.6 Check Ignition Electrode Spark

Pilot ignition is by a spark produced when the control knob is pushed in and turned counterclockwise to the "IGN" position. Check that two consecutive sparks are produced at the pilot burner. If there is no spark, check that the wiring is secure. Replace parts if necessary. see figure 9.

2.2 INSTALL TO THE FIREPLACE

2.2.1 Connect the Chimney Liner

Connect the collar on the vent connector unit to the 4" diameter chimney liner.

2.2.2 Insert the Fire Unit

Solid Fuel Fireplace Installation: Slide the fire unit into the fireplace making sure that the vent connection unit is above the appliance case. Leave the case front a few inches clear of the fireplace front to allow you to fix the vent connector to the top of the case.

Zero Clearance Installation: Accessory kit #700ZCK (supplied separately) allows the appliance to be installed with a 4" diameter type B-1 metal vent recessed into a wall or partition in a chase (see figure 3). The maximum horizontal vent pipe length is 8ft and the minimum vertical vent pipe height is 8ft. For full details please contact your dealer. Prepare the appliance and install in position in accordance with the instructions supplied with the kit.

2.2.3 Attach the Vent Connector

Swing the vent connector backwards and locate its rear edge in the slot at the top rear of the appliance case. Fix the front of the vent connector plate to the appliance case top using the screw previously removed. See figure 10.

2.3 OPTIONAL TRIM INSTALLATION

2.3.1 #677FSK 4" Beveled Trim

1. Assemble the two outer surround sides to the top cross piece using the four nuts, screws and washers provided. See figure 11.
2. Place the assembled trim in position against the heater. Secure to the heater front flanges with screws through two holes on the inner flanges of each of the surround sides. See figure 12.
3. If required, fit the #740 beveled brass outer trims over the 4" trim. Secure with the edge clips using four across the top and three each side.

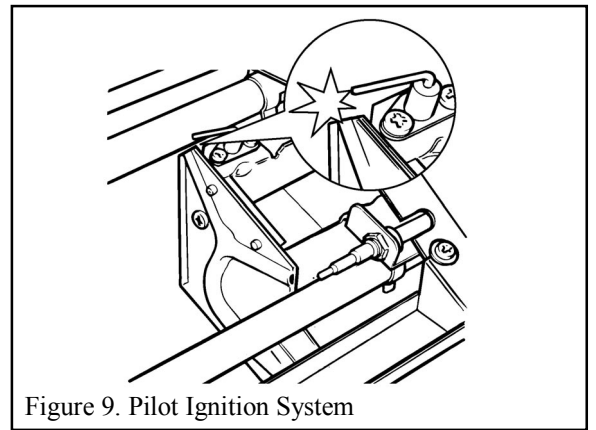


Figure 9. Pilot Ignition System

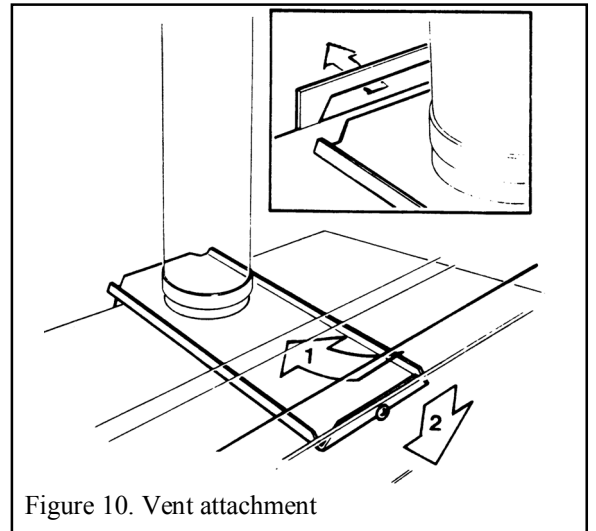


Figure 10. Vent attachment

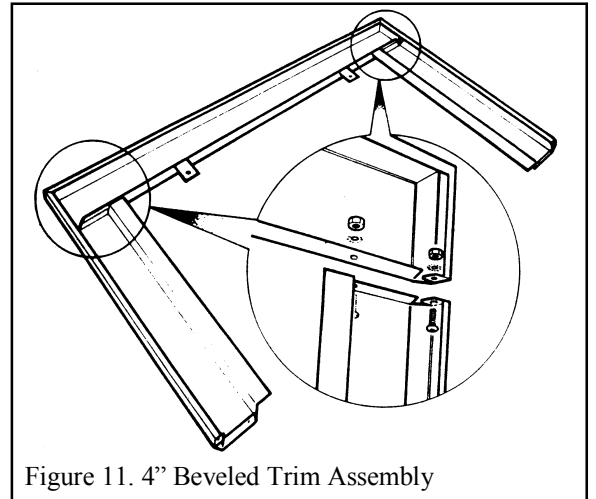


Figure 11. 4" Beveled Trim Assembly

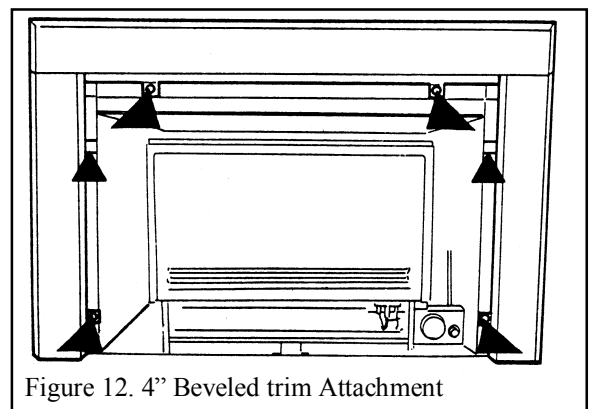


Figure 12. 4" Beveled trim Attachment

2.3.2 #678FSK & #679FSK 2 1/2" Contoured Trims

1. Assemble the left and right side channels to the top channel using the inner and outer corner fixing brackets and 12 thread cutting screws provided. See figure 13.
2. Attach the trims to the front frame with 4 thread cutting screws provided. See figure 14.

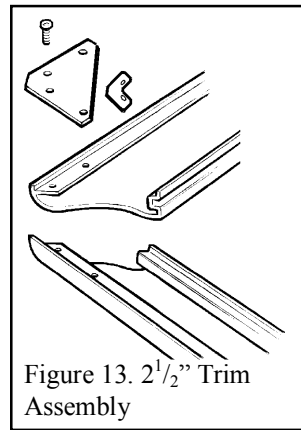


Figure 13. 2 1/2" Trim Assembly

2.3.3. All Installations

Push the appliance fully home against the front face of the fireplace. Make sure that no sags or dips occur in the liner.

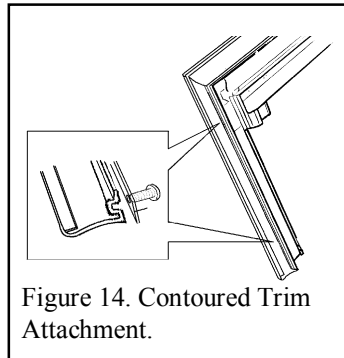


Figure 14. Contoured Trim Attachment.

3. #710CFK

CIRCULATING FAN KIT

If the fan is to be installed at the same time as the appliance, it will be most convenient to fit it at this stage (i.e. before the gas supply is connected).

Full installation instructions are supplied with the fan kit. In order to install this unit, the appliance burner module will have to be removed. Details of the removal method are described in the servicing section at the back of this manual.

4. CONNECT THE GAS SUPPLY

4.1 THERMOSTAT SHAFT DISCONNECTION

A 3/8" NPT elbow connector is supplied for linking the supply line to the appliance inlet pipe.

To allow clear access for connecting the elbow to the appliance inlet pipe, disconnect the thermostat shaft as follows (see figure 15):

1. Remove the "R" clip securing the shaft collar to the thermostat spindle (figure 15a).
2. Slide the collar up the shaft to free it from the thermostat spindle (figure 15b).

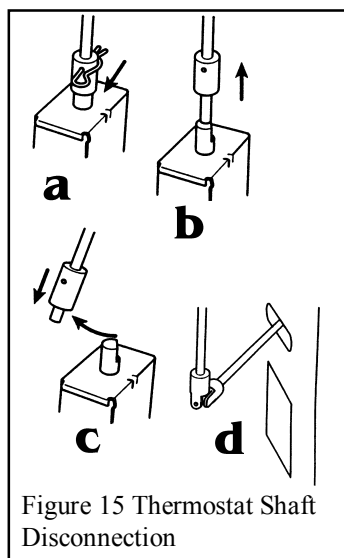


Figure 15 Thermostat Shaft Disconnection

Take care! Hold on to the collar. Don't let it fall into the appliance. It could be difficult to retrieve.

3. Swing the lower shaft forward and remove the collar (figure 15c). Keep the collar safe.
4. Swing the lower shaft back and park it in the slot opening in the right side of the appliance case (figure 15d).

4.2 GENERAL SUPPLY LINE REQUIREMENTS

Openings for the gas supply line are provided at the back and right side (see figure 3). The appliance is supplied with a plate covering the back opening and with the opening at the right side uncovered. If the supply line is to enter through the back, remove the plate and refit it to the side opening.

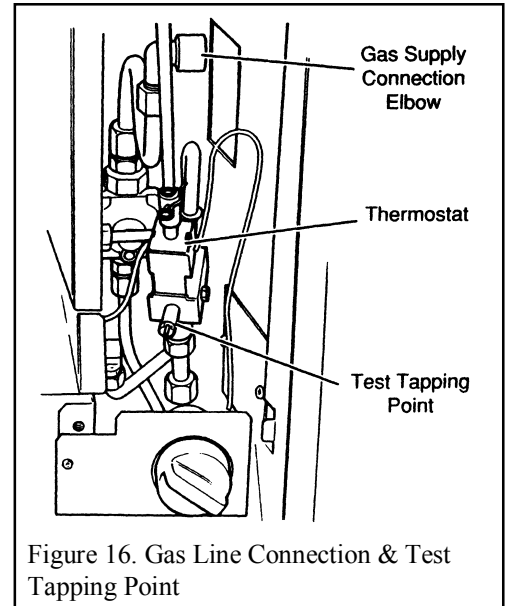


Figure 16. Gas Line Connection & Test Tapping Point

Note! The openings at the right and left sides which are supplied covered with metal plates are not for supply pipe entry. These openings should only be uncovered when the #700ZCK zero clearance kit is used.

Use only new black iron or steel pipes or copper tubing if acceptable – Check local codes!

Note! In the USA copper tubing must be internally tinned for protection against sulfur compounds.

Unions in gas lines should be of ground joint type.

The gas supply line must be sized and installed to provide a supply of gas sufficient to meet the maximum demand of the appliance without undue loss of pressure.

Sealants used must be resistant to the action of all gas constituents including LP gas. Sealants should be applied lightly to male threads to ensure that excess sealant does not enter the gas lines.

The supply line should include a manual shut-off valve and union in the line to allow the appliance to be disconnected for servicing.

A plugged 1/8" NPT tapping must be installed in the line. The tapping must be accessible for test gauge connection and be immediately upstream of the gas supply connection to the appliance.

4.3 LEAK TESTING

All piping and connections must be tested for leaks after installation or servicing.

All leaks must be corrected immediately.

When testing for leaks:

1. Make sure that the appliance control knob is at the **off** position.
2. Open the manual shut-off valve.
3. Test for leaks by applying a liquid detergent or soap solution to all joints. Bubbles forming indicate a gas leak.



DANGER! NEVER USE AN OPEN FLAME TO CHECK FOR GAS LEAKS

4. Correct any leak immediately.

4.4 THERMOSTAT SHAFT RECONNECTION

1. Turn the thermostat control wheel fully counterclockwise to the lowest setting (position 1). Turn the thermostat spindle fully counterclockwise. See figure 17.

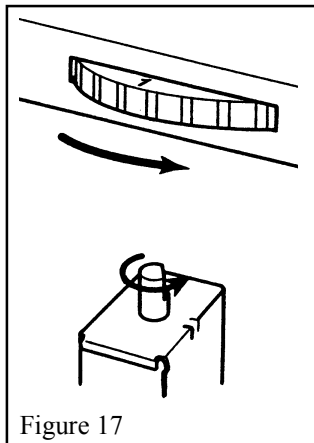


Figure 17

2. Release the lower shaft from its parked position. Replace the collar over the end of the shaft with the "D" hole at the bottom.
3. Swing the shaft and collar over the thermostat spindle. Rotate the collar so that the "D" lines up with that in the spindle and allow the collar to drop fully over the thermostat spindle.
4. Refit the "R" clip. The collar will have to be raised slightly to align the holes. If it is not raised, the clip may go below the end of the shaft. Check that the collar rotates when the thermostat control wheel is turned.

5. REFIT THE FRONT FRAME

Place the front frame back in position and attach it to the appliance case with the four screws previously removed.

6. FIT THE FUEL BED

1. Place the ceramic back wall in position at the back of the firebox. Make sure that the brick pattern is the right way up so that it will align with the side walls pattern. See figure 18.

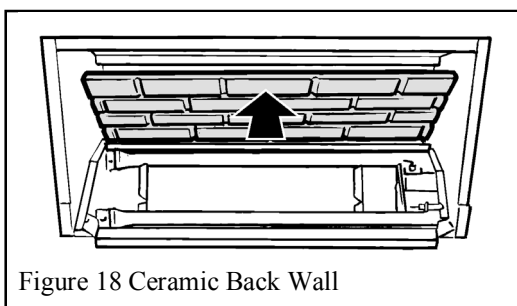


Figure 18 Ceramic Back Wall

2. Place the ceramic side walls in position at the sides of the firebox. The sides are left and right handed. The sides should be held in position at the top by the angled brackets at the sides of the firebox and at the bottom by the edges of the black bar at the front of the firebox. See figure 19.

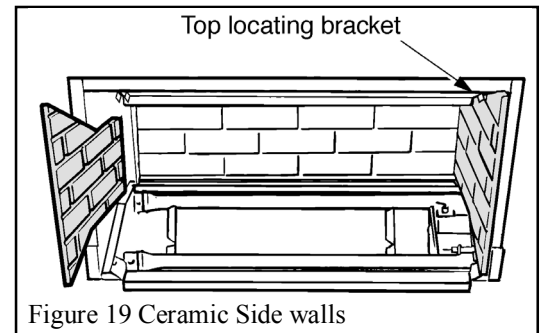


Figure 19 Ceramic Side walls

3. Place the rear log in the retaining cradle behind the rear burner rail. See figure 20.

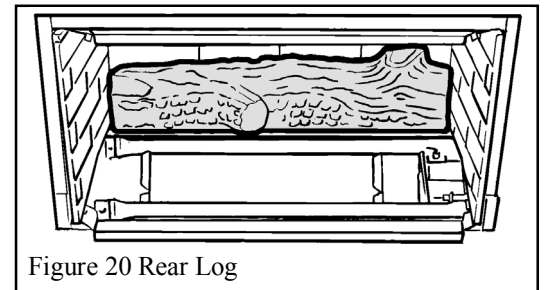


Figure 20 Rear Log

4. Place the center log in the retaining cradle between the rear and front burner rails. See figure 21.

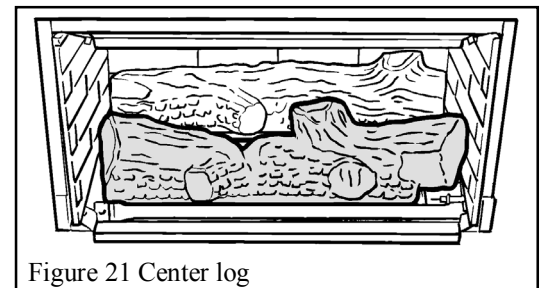


Figure 21 Center log

5. Place the two front logs in position on the front log support tray. It may be necessary to raise the center log slightly in order to fit the left front log. Make sure that the spacer blocks positioned on the back surface of each front log rest against the front face of the center log at the far left and right positions. See figure 22. Check that the fuel bed parts are secure.

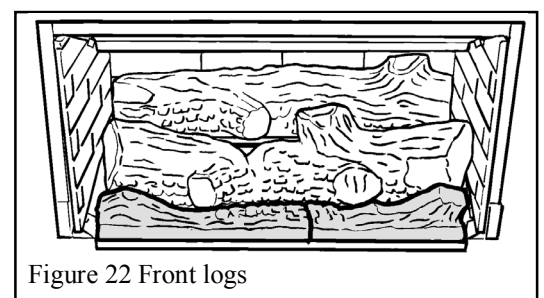


Figure 22 Front logs

7. REFIT THE WINDOW

1. Hook the top of the window frame over the firebox top front edge.
2. Secure the window unit in place by refitting two knurled screws at the bottom corners of the frame.

8. CHECK OPERATION OF CONTROLS

Check ignition, valve control and thermostat settings as described in the lighting instructions section of this manual.

9. CHECK SYSTEM PRESSURE

The appliance is preset to give the correct heat input with the gas for which it is designed.
For input adjustment, the gas supply pressure to the appliance must be between the figures shown below.

SUPPLY PRESSURES	
Model 736XN – Natural Gas	
Maximum	10.5" w.c.
Minimum	5.0" w.c.
Model 736XP - Propane	
Maximum	14.0" w.c.
Minimum	11.0" w.c.

The burner manifold pressure is controlled by a built-in non-adjustable regulator. The manifold pressure must be between the figures below.

MANIFOLD PRESSURES	
Model 736XN – Natural Gas	
Maximum	3.9" w.c.
Minimum	3.5" w.c.
Model 736XP - Propane	
Maximum	9.4" w.c.
Minimum	9.0" w.c.

The manifold pressure should be checked at the pressure test point which is located on the thermostat unit (see figure 16). The pressure check should be made with the appliance burning, the valve control set at "MAX" and the thermostat control turned to "FULL".

The appliance and its individual shutoff valve must be disconnected from the gas supply piping system during any pressure testing of that system at test pressures in excess of $\frac{1}{2}$ psig (3.5kPa). The appliance must be isolated from the gas supply piping system by closing its individual manual shutoff valve during any pressure testing of the gas supply piping system at test pressures equal to or less than $\frac{1}{2}$ psig (3.5kPa).

10. CHECK VENTING EFFICIENCY

A check for correct venting of combustion products must be made before the installed appliance is left with the customer. The test can be made before refitting the inner front unit but the logs and window unit must be in position.

Check as follows;

1. Ignite the pilot and set the control knob to "MAX" and the thermostat wheel to "FULL".
2. Leave the appliance on for 15 minutes then light a smoke match and insert it inside the left side of the top opening. Insert the match approximately $1\frac{1}{2}$ " into the opening. See figure 23.
The installation is satisfactory if smoke is drawn into the appliance.

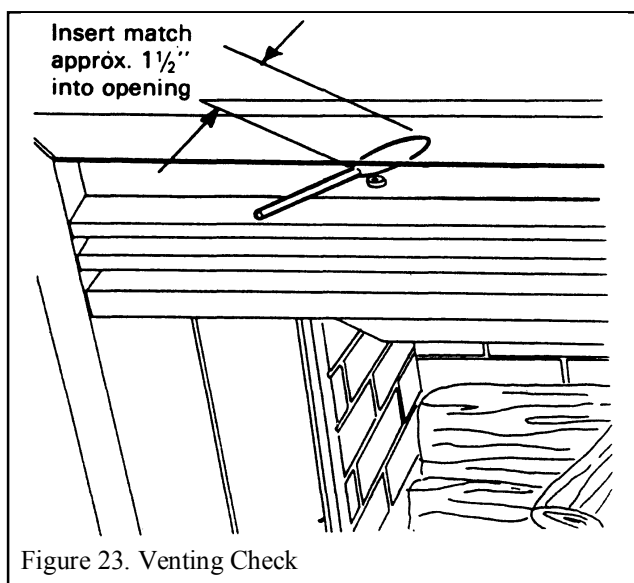


Figure 23. Venting Check

3. If the smoke is not drawn into the appliance, inspect the sealing at the vent connection unit.
4. If the sealing is satisfactory but the smoke is still not drawn into the appliance, turn the unit off and check the vent system for the cause of lack of draft. If necessary, seek expert advice.



DO NOT LET THE APPLIANCE BE OPERATED WITH INCORRECT VENTING

11. AERATION ADJUSTMENT

Both front and rear burners are equipped with adjustable shutters to control primary aeration. The air holes are at the right side of the front and rear burner rails - see figure 24. The appliance is supplied with the air holes of both burners fully open. The shutters can be pushed to the right to partially close the air holes on each burner. When the shutters are pushed as far as possible to the right, the air holes will be half closed.

For the majority of installations no adjustment will be necessary. However, in certain installations (e.g. low Btu value gas or propane with impurities) it may be necessary to partially close the air holes of one or both of the burners to obtain the optimal visual effect.

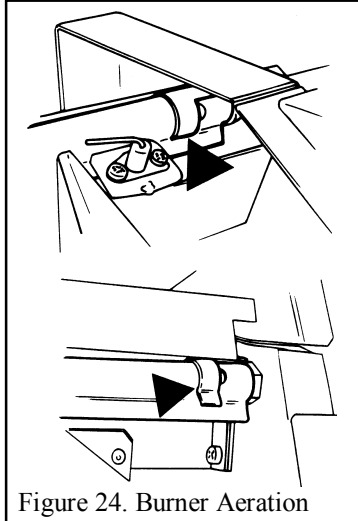


Figure 24. Burner Aeration

12. REPLACE THE INNER FRONT

Hook the inner front unit back onto the front frame.

13. FINAL CHECK

1. Recheck the operation of the ignition and control settings.
2. Instruct the customer how to operate the appliance.
3. Close the bottom hinged grill.
4. Recommend that the appliance should be inspected and, if necessary, serviced annually.

14. OPERATING PROCEDURE

For your safety this appliance is fitted with a flame supervision device which will shut off the gas supply if, for any reason, the pilot flames go out. This device incorporates a fixed probe which senses the heat from the pilot flame. If the probe is cool the device will prevent any gas flow unless the control knob is held in at the "IGN" position. See the lighting instructions on the next page.

Open the bottom grill to get access for operating the main control valve. Close the grill when you have finished operating the main control valve. The control wheel at the top right side of the appliance controls the thermostat operating temperature.

When first turned on the decorative flames will appear predominantly blue. After approximately 15 minutes the flames will turn yellow.

After approximately three hours use at the high control setting the fuel pieces will show areas of charcoal gray color, as would real burning logs.

15. LIGHTING IF THE SPARK IGNITER FAILS

In the unlikely event of failure of the ignition spark, the appliance can be lit by inserting a long burning match to the pilot and holding in the main valve control knob at the "IGN" position.

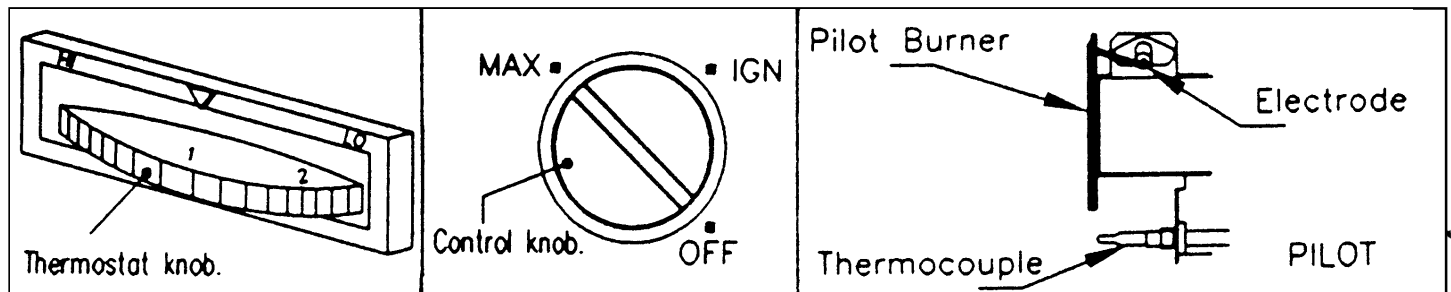
FOR YOUR SAFETY READ BEFORE LIGHTING

WARNING: If you do not follow these instructions exactly, a fire or explosion may result causing property damage, personal injury or loss of life.

- A. This appliance has a pilot which must be lighted by hand. When lighting the pilot, follow these instructions exactly.
 - B. **BEFORE LIGHTING** smell all around the appliance area for gas. Be sure to smell next to the floor because some gas is heavier than air and will settle on the floor.
- WHAT TO DO IF YOU SMELL GAS**
- Do not try to light any appliance.
 - Do not touch any electric switch; do not use any phone in your building.
 - Immediately call your gas supplier from a neighbor's phone. Follow the gas supplier's instructions.
 - If you cannot reach your gas supplier, call the fire department.
- C. Use only your hand to push in or turn the gas control knob. Never use tools. If the knob will not push in or turn by hand, don't try to repair it, call a qualified service technician. Force or attempted repair may result in a fire or explosion.
 - D. Do not use this appliance if any part has been under water. Immediately call a qualified service technician to inspect the appliance and to replace any part of the control system and any gas control which has been under water.

LIGHTING INSTRUCTIONS

1. **STOP!** Read the safety information above.



2. set the thermostat to its lowest setting (#1)
 3. Turn the control knob clockwise ↻ to OFF
- NOTE:** The knob cannot be turned from IGN to OFF unless it is pushed in partially. Do not force.
4. Wait five (5) minutes to clear out any gas, then smell for gas, including near the floor. If you smell gas, **STOP!** Follow "B" in the safety information above. If you don't smell gas, go to the next step.
 5. Find the pilot. It is at the right side of the firebox.
 6. Push in and turn the control knob counterclockwise ↺ until resistance is felt just before the "IGN" position.
 7. Keep pushed in for a few seconds to allow gas to flow then, keeping knob depressed, turn to "ign" to light pilot. Hold knob in for a further 5 seconds then release. The knob should pop back out. Pilot should remain lit. If pilot goes out repeat steps 3 through 7. If pilot does not light at all during a few attempts, try lighting with a long match as described below.
 - If knob does not pop out when released, stop and immediately call your service technician or gas supplier.
 - If pilot lights but will not stay lit after several tries, turn the gas control knob to "OFF" and call your service technician or gas supplier.
 8. When pilot is lit, partially depress the knob and turn to "MAX" position.
 - Do not leave knob set between "IGN" and "MAX".
 9. Replace control access panel
 10. Set thermostat to desired setting.
- Match Lighting:** Apply a long match to the pilot while control knob is pushed in and at the "IGN" position.

TO TURN OFF GAS TO APPLIANCE

1. Set the thermostat to its lowest setting (#1)
2. Push in control knob slightly and turn clockwise ↻ to "OFF". Do not force.

16. CLEANING

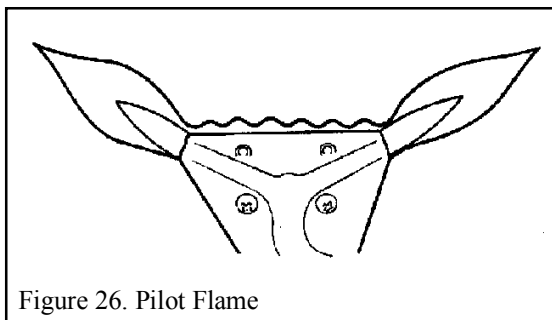
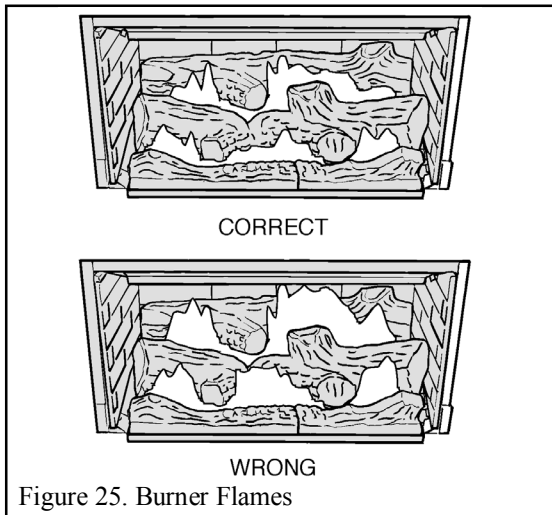
All cleaning should be carried out when the appliance is cold. Normally the appliance should only need dusting. Dust etc. can be brushed from the logs using a soft brush after detaching the inner front unit and window – see installation instructions sections 2.1.2 and 2.1.3. Dust etc. can also be removed from the burners using a soft brush after removing the logs. When cleaning the burners also check the aeration holes – see figure 24. If necessary brush clean the aeration holes.

If you are removing the logs, we suggest that they are removed in the reverse order to that shown in the fuel bed assembly instructions – see section 6. The logs, window and inner front unit must be replaced as shown in the installation instruction sections.

Coloring of the metal firebox with use is normal.

17. CHECKS

1. A periodic visual check of the pilot and burner flames should be made. See figures 25 and 26.



2. The appliance area must always be kept clear and free from combustible materials, gasoline and other flammable vapors and liquids.
3. Keep the area in front of the bottom grill clear to prevent obstruction of the air flow to the burners for combustion.
4. The flow of combustion and ventilation air must not be obstructed. The venting system should be examined by a qualified agency regularly. We suggest annually.

18. SERVICING

The repair parts are shown on the repair parts leaflet. Please always quote part number and description with requests for spares.

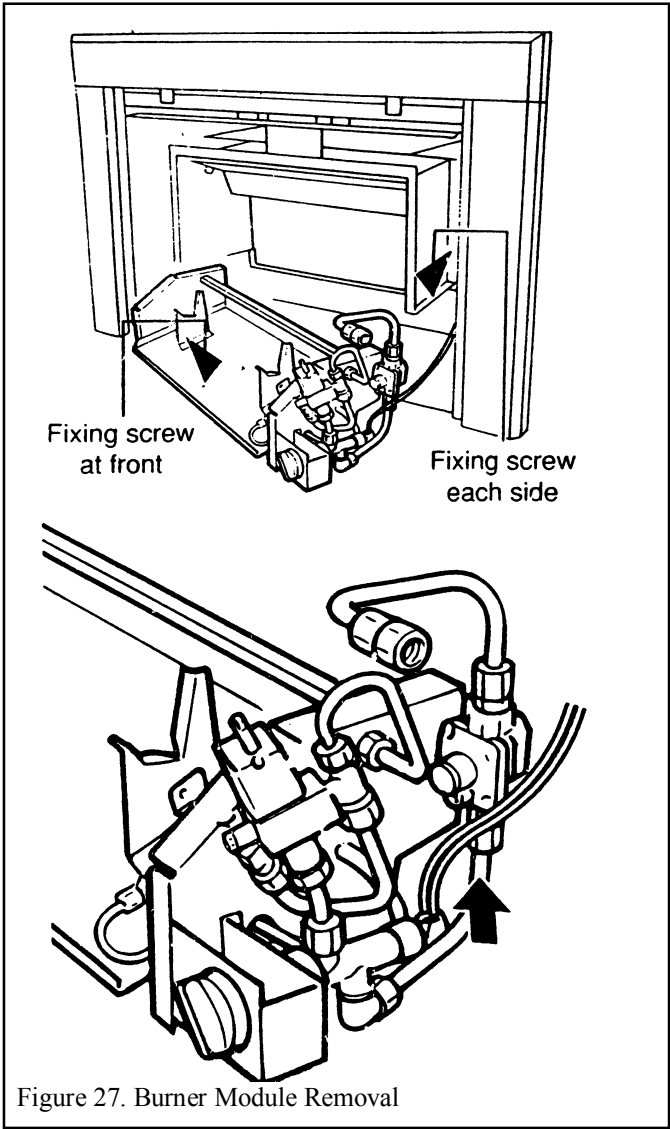
18.1 FOR THE OWNER

If you require any attention to your appliance, contact your supplier quoting the model number. It is helpful if the appliance serial number is also quoted. This will be found on the appliance rating plate which is located on the left side of the appliance case. It is visible when the inner front unit is removed.

18.2 FOR THE SERVICE ENGINEER

To aid servicing of the burner and manifold parts or for installation of the optional circulation fan #710CFK, the burner module can be removed as follows – see figure 27.

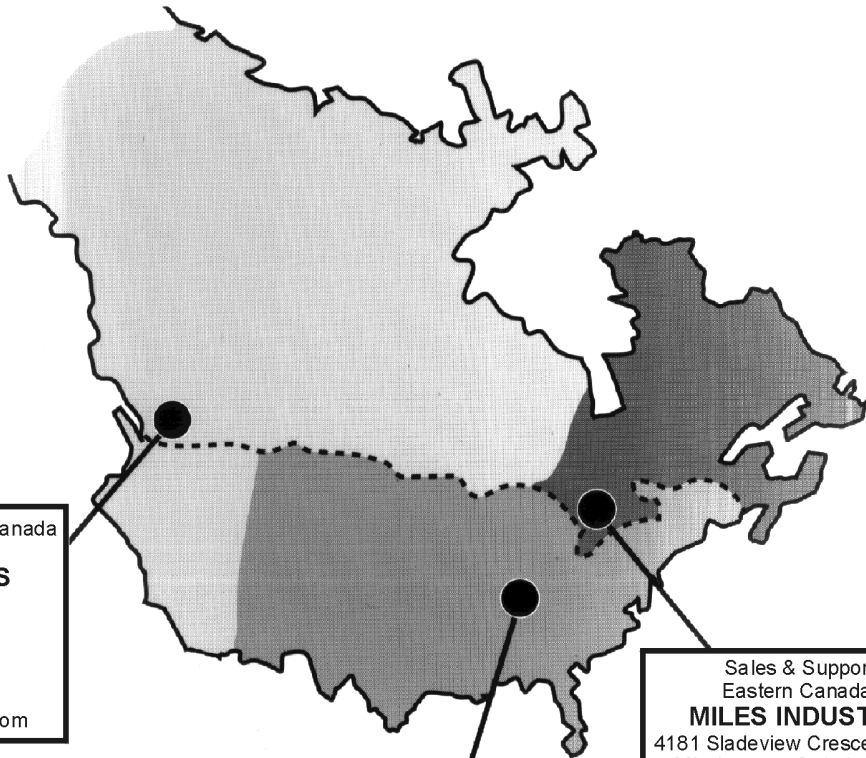
1. Remove the inner front and window – see sections 2.1.2 and 2.1.3.
2. Take all the ceramic parts out of the firebox and store carefully.
3. Remove the front frame – see section 2.1.4.
4. To allow clear access for disconnecting the supply line elbow uncouple the thermostat shaft – see section 4.1.
5. Disconnect the gas supply line elbow at the appliance inlet pipe union.
6. Remove the two screws holding the burner module to the firebox sides. These are situated over the bottom outside flanges, one each side of the firebox.
7. Remove the screw securing the sloping front heat shield of the burner box to the appliance case.
8. Carefully slide the burner module forward until just clear of the appliance case.
9. For most servicing operations the vent shutoff switch wires can remain attached to the burner module. If the burner module must be completely removed from the appliance area loosen the thermocouple connector at the back of the gas valve to detach the wires.
10. When refitting, reconnect the thermostat control shaft as described in section 4.4.



Manufactured by

valor HEATING

BIRMINGHAM, ENGLAND



Sales & Support In Western Canada and Western USA by
MILES INDUSTRIES
829 Third Street West
North Vancouver
B. C. V7P 3K7
Ph: (604) 984-3496
Fax: (604) 984-0246
Website: www.valorflame.com

Sales & Support in Central and Eastern USA by
GASM
122A Davis Street
Post Office Box 604
Portland, TN 37148
Ph. 615-323-0191
Fax 615-323-0185

Sales & Support in Eastern Canada by
MILES INDUSTRIES
4181 Sladeview Crescent, Unit 50
Mississauga, Ontario L5L 5R2
Ph. 1-905-608-2081
Fax 1-905-608-8708
Website: www.valorflame.com

Because our policy is one of constant development and improvement, details may vary slightly from those given in this publication.