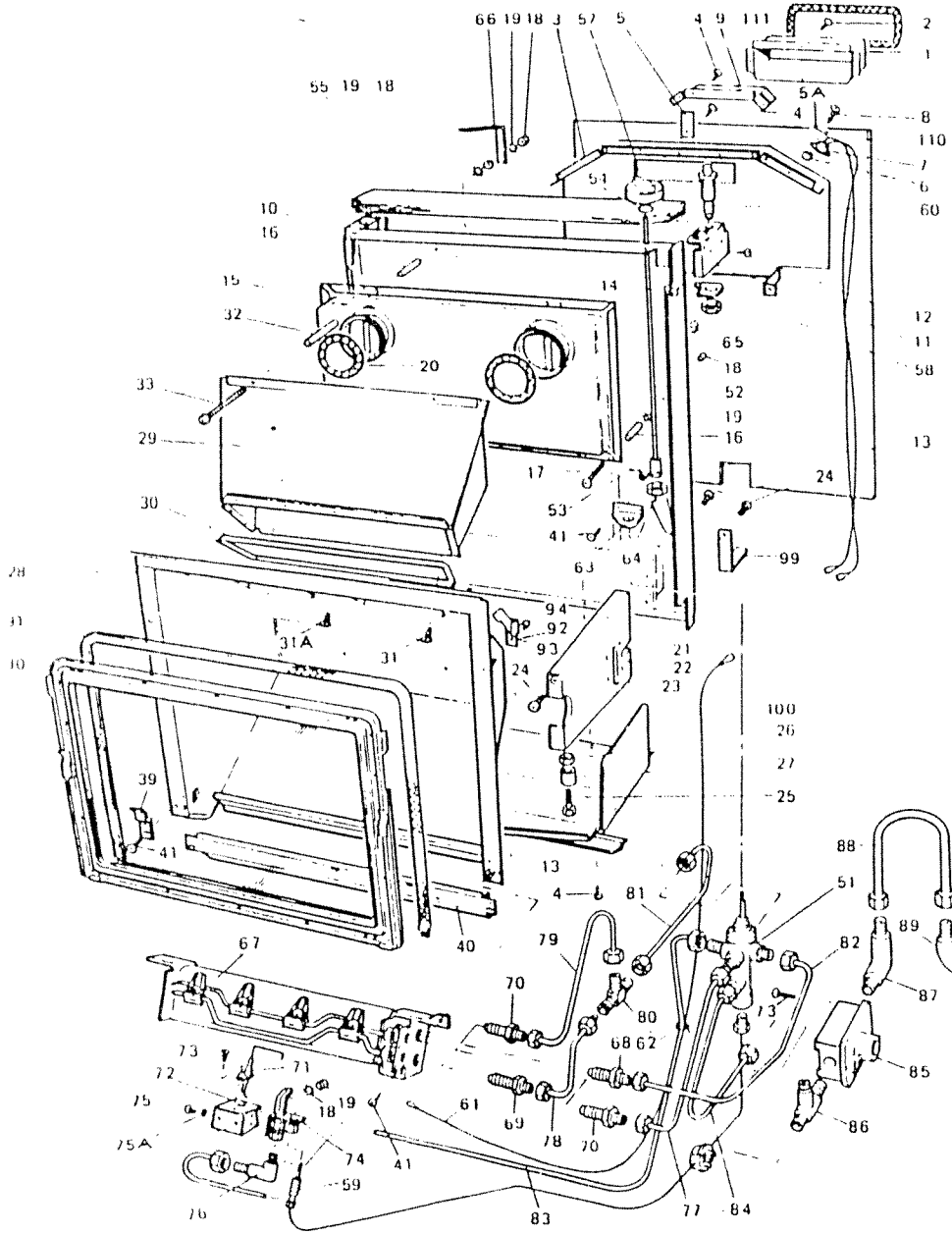


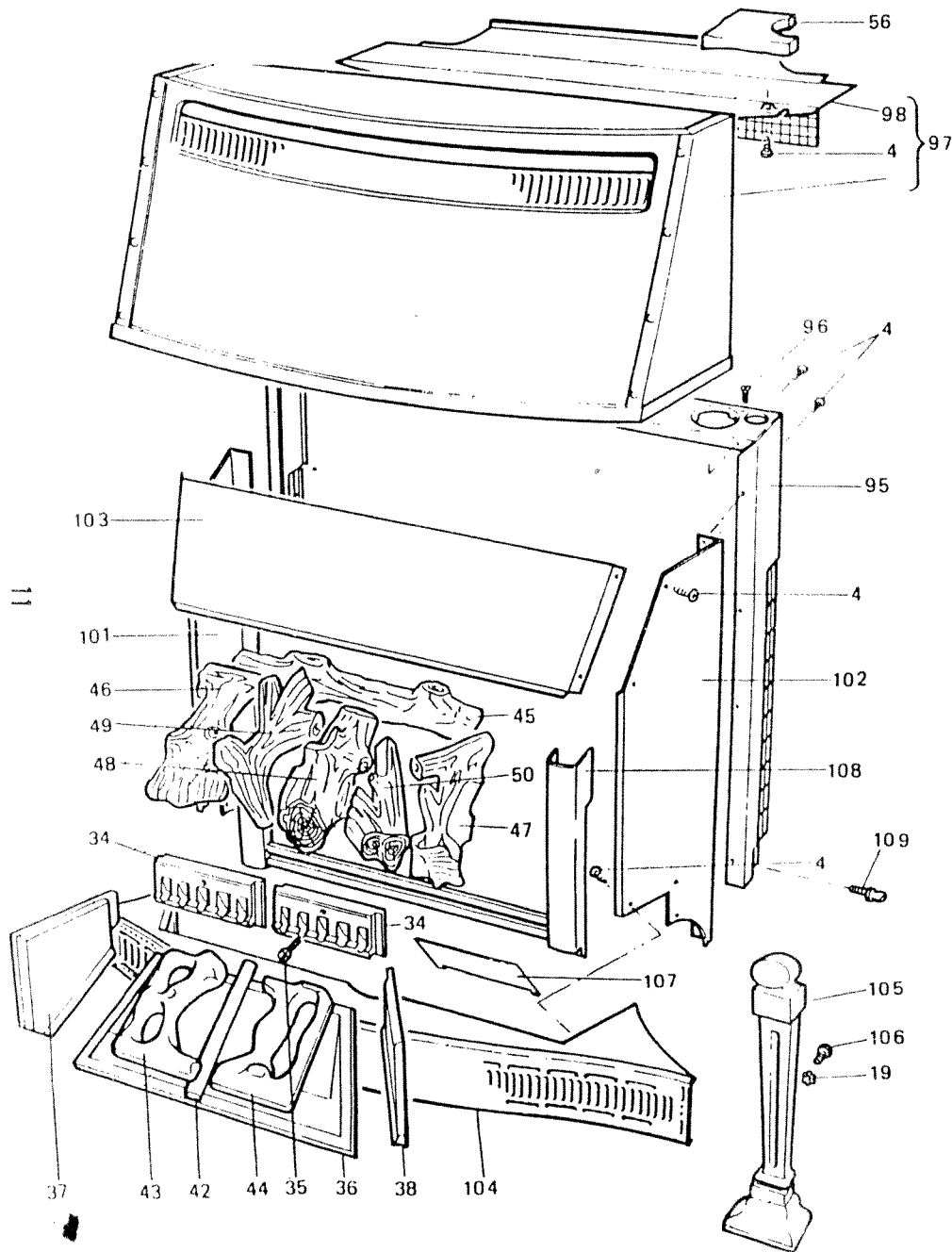
470 - SAN

470 - SAP

REPAIR PARTS



KEY No.	DESCRIPTION	QTY PER APPLIANCE	SPARE PART No.
63	CONTROL VALVE BRACKET	1	548019
64	CONTROL VALVE LOCKING NUT	1	502739
65	ABRASION PROTECTION WASHER	1	512509
66	INSULATOR RETAINING BRACKET	2	547789
67	BURNER UNIT	1	548549
68	FOR NATURAL GAS MODEL 470SAN ONLY FOR PROPANE GAS MODEL 470SAP ONLY GAS INJECTOR - MAIN BURNER UPPER (INNER)	1	549879
69	FOR NATURAL GAS MODEL 470SAN ONLY FOR PROPANE GAS MODEL 470SAP ONLY GAS INJECTOR - MAIN BURNER LOWER (OUTER)	1	548869
70	FOR NATURAL GAS MODEL 470SAN ONLY FOR PROPANE GAS MODEL 470SAP ONLY GAS RESTRICTOR - DECOHATIVE FLAME BURNER	1	548569
71	SPARK IGNITION ELECTRODE	2	548579
72	ELECTRODE BRACKET	1	548589
73	SCREW No 6 x 1/2" TAPITE 32 TP1	1	548599
74	PILOT UNIT	5	548609
75	FOR NATURAL GAS MODEL 470SAN ONLY FOR PROPANE GAS MODEL 470SAP ONLY SCREW 2 B A x 1/4" NICKEL PLATED	1	548619
75A	WASHER 5 mm NICKEL PLATED	1	549949
76	PILOT ELBOW	2	548629
77	PIPE UNIT - FLAME BURNER UPPER TO VALVE	2	548879
78	PIPE UNIT - MAIN BURNER LOWER TO T CONNECTOR	1	548639
79	PIPE UNIT - FLAME BURNER LOWER TO T CONNECTOR	1	548649
80	T CONNECTOR	1	548659
81	PIPE UNIT - T CONNECTOR TO VALVE	1	548669
82	PIPE UNIT - MAIN BURNER UPPER TO VALVE	1	548679
83	PIPE UNIT - PILOT TO VALVE	1	548689
84	PIPE UNIT - PRESSURE TAPPING UNIT TO VALVE	1	548699
85	GAS PRESSURE REGULATOR	1	548709
86	FOR NATURAL GAS MODEL 470SAN ONLY FOR PROPANE GAS MODEL 470SAP ONLY PRESSURE TAPPING UNIT	1	548729
87	REGULATOR ELBOW	1	503049
88	PIPE UNIT - REGULATOR ELBOW TO INLET ELBOW	1	548739
89	INLET ELBOW	1	548749
90	WINDOW UNIT	1	548809
91	WINDOW SEAL	1	547409
92	TOP WINDOW RETAINER LEFT SIDE	1	547629
93	TOP WINDOW RETAINER RIGHT SIDE	1	547719
94	LOCK NUT 5 mm AEROTIGHT	1	547729
95	OUTER REAR FRAME	2	547749
96	CONTROL POSITION INDICATOR PIN	1	548779
97	HOOD UNIT (INCLUDES KEY 98)	1	530939
98	HOOD HEATSHIELD & GRILLE	1	548789
99	REAR SUPPORT LEGS	1	548799
100	FLOOR PLATE UNIT	2	548759
101	LEFT SIDE PANEL	1	548769
102	RIGHT SIDE PANEL	1	547499
103	UPPER FRONT HEATSHIELD	1	547489
104	HEARTH FENDER & APRON UNIT	1	547509
105	FENDER SIDE ANDIRONS	1	548909
106	SCREW 5 mm x 8 mm TAPITE	2	549029
107	LOWER FRONT HEATSHIELD	4	534719
108	TRIM UNIT - WINDOW SURROUND	1	547859
109	THUMB SCREW - OUTER CASE ATTACHMENT	1	547419
110	SEALING PLATE	2	548919
111	FLUE COLLAR SEALING RING	1	548929
	Installation Service Manual	1	548939
	Owners Manual	1	548949



DESCRIPTION

SPAR  
PART I

DESCRIPTION	QTY	SPAR PART I
1 FLUE COLLAR	1	54701
2 SCREW No 10 x 3/8"	8	54747
3 FLUE BAFFLE ASSEMBLY	1	54841
4 SCREW No 8 x 3/8"	56	53462
5 VENTING REQUIREMENT PLATE	1	54842
5A FIBER WASHER - THIN	2	53252
6 FIBER WASHER - THICK	2	54901
7 VENT SAFETY THERMOSWITCH UNIT	1	54844
8 SCREW 3 mm x 25 mm 'TAPTITE'	2	5490C
9 FLUE DEFLECTOR	1	54703
10 BACK PANEL	1	54845
11 TOP LOCATION BRACKET	2	54773
12 SCREW 4 mm x 6 mm 'TAPTITE'	5	51634
13 NUT (PUSH TYPE) 5 mm BRIGHT	3	54764
14 SCREW 4 mm x 10 mm 'TAPTITE'	1	54790
15 HEAT EXCHANGER (INCLUDING SEALS - KEY 20)	1	54765
16 SPACER - HEAT EXCHANGER TO BACK	4	54705
17 SCREW 5 mm x 40 mm	2	53357
18 NUT 5 mm HEXAGON	6	53227
19 WASHER EXTERNAL STAR 5 mm	12	51550
20 SEAL - HEAT EXCHANGER PORTS	2	54791
21 FOOT - RIGHT SIDE	1	54846
22 FOOT - LEFT SIDE	1	54711
23 NUT (PUSH TYPE) 6 mm	8	54767
24 SCREW 6 mm x 10 mm BLACK	6	54768
25 SCREW - FOOT ADJUSTMENT 6 mm x 35 mm BLACK	2	53597
26 NUT - FOOT ADJUSTMENT 6 mm HEX. BLACK	2	53225
27 SPACER - FOOT SCREW	2	54847
28 RADIANT BOX UNIT	1	54709
29 COLLECTOR BOX UNIT	1	54707
30 SEAL - COLLECTOR BOX	1	54708
31 SCREW No 8 x 3/8" NICKEL PLATED	9	53680
31A SCREW No 8 x 1/2" NICKEL PLATED	5	54834
32 SPACER - HEAT EXCHANGER TO COLLECTOR BOX	2	54706
33 SCREW - 5 mm x 80 mm	2	53386
34 REAR SUPPORT BRICKS	2	53400
35 SCREW 5 mm x 15 mm	2	53401
36 BASE BOARD	1	54712
37 LEFT SIDE CHEEK	1	53398
38 RIGHT SIDE CHEEK	1	53399
39 BOTTOM WINDOW RETAINER	2	54848
40 FRONT SUPPORT ROD HOLDER	1	54882
41 SCREW 5 mm x 10 mm	5	53329
42 SUPPORT ROD	10	54883
43 GRID - LEFT SIDE	1	54792
44 GRID - RIGHT SIDE	1	54884
45 LOG No 1	1	54791
46 LOG No 2	1	54718
47 LOG No 3	1	54795
48 LOG No 4	1	54720
49 LOG No 5	1	54796
50 LOG No 6	1	54797
51 GAS CONTROL VALVE	1	54850
52 CONTROL SHAFT UNIT	1	54799
53 SPLIT FIXING PIN	1	52838
54 CONTROL KNOB WASHER	1	53252
55 TOP INSULATOR	1	54779
56 CONTROL KNOB INSULATOR	1	54780
57 CONTROL KNOB	1	54851
58 CONTROL INDICATOR BRACKET	1	54769
59 THERMOCOUPLE & JUNCTION UNIT	1	54852
60 PIEZO ELECTRIC IGNITION GENERATOR	1	54885
61 PIEZO ELECTRIC IGNITION LEAD	1	54853
62 LEAD TIE	1	54769

change to Rd.