

INSTALLATION & OWNER'S MANUAL

valor[®] Madrona



Direct Vent Gas Free Standing Engine MF28JN (natural gas) & MF28JP (propane gas)

CSA approved for use with Valor Free Standing Stoves MFCS01, MFCS02, and MFCS05 ONLY

DANGER

Please read this manual BEFORE installing and operating this appliance.



HOT GLASS WILL CAUSE BURNS.

DO NOT TOUCH GLASS UNTIL COOLED.

NEVER ALLOW CHILDREN TO TOUCH GLASS.

INSTALLER: Leave this manual with the appliance.
CONSUMER: Retain this manual for future reference.

This manual contains instructions to install the **ENGINE ONLY**. A stove casing is **REQUIRED** to complete the installation. A barrier screen is provided with the casing. **Refer to the manual supplied with the casing for installation.**

A barrier designed to reduce the risk of burns from the hot viewing glass is provided with this appliance and must be installed for the protection of children and other at-risk individuals.

⚠ WARNING
FIRE OR EXPLOSION HAZARD
Failure to follow safety warnings exactly could result in serious injury, death, or property damage.

- Do not store or use gasoline or other flammable vapors and liquids in the vicinity of this or any other appliance.
- **WHAT TO DO IF YOU SMELL GAS**
 - Do not try to light any appliance.
 - Do not touch any electrical switch; do not use any phone in your building.
 - Leave the building immediately.
 - Immediately call your gas supplier from a neighbor's phone. Follow the gas supplier's instructions.
 - If you cannot reach your gas supplier, call the fire department.
- Installation and service must be performed by a qualified installer, service agency or the gas supplier.

This appliance may be installed in an after-market permanently located, manufactured (mobile) home where not prohibited by local codes.

This appliance is only for use with the type of gas indicated on the rating plate. This appliance is not convertible for use with other gases, unless a certified kit is used.

This appliance is a domestic room-heating appliance. It must not be used for any other purposes such as drying clothes, etc.

This appliance is suitable for installation in a bedroom or bed sitting room.

Installer: Place model/serial number here.

Ce guide est disponible en français sur demande.

Table of Contents

FOR THE OWNER

Safety and Your Fireplace	3
Introduction	6
Locating Fireplace & Lighting Information Card	6
Operating Your Stove for the First Time	6
Operating Your Stove	7
Stove Control Devices	7
How to Turn Your Stove ON	7
How to Turn Your Stove OFF (including pilot).....	7
How to Prevent Your Stove from Being Turned ON Inadvertently	7
Using the Remote Control	8
Kits & Accessories	12
Lighting Instructions	13
Servicing & Maintenance	14
Servicing Your Fireplace.....	14
Annual Inspection	14
Cleaning Your Stove	15
Checking Pilot and Burner Flames	17
Replacing Batteries	18
Using Handset Wall Holder.....	18
Warranty	47

Warranty Card at the back of this manual.



NATIONAL FIREPLACE INSTITUTE
NFI
CERTIFIED
www.nficertified.org

We recommend that our gas hearth products be installed and serviced by professionals who are certified in the U.S. by the National Fireplace Institute® (NFI) as NFI Gas Specialists.

The information contained in this installation manual is believed to be correct at the time of printing. Miles Industries Ltd. reserves the right to change or modify any information or specifications without notice. Miles Industries Ltd. grants no warranty, implied or stated, for the installation or maintenance of your heater, and assumes no responsibility for any consequential damage(s).

**Designed and Manufactured by / for
Miles Industries Ltd.
190–2255 Dollarton Highway,
North Vancouver, BC, CANADA V7H 3B1
Tel. 604-984-3496 Fax 604-984-0246
www.valorfireplaces.com**

FOR THE QUALIFIED INSTALLER

Specifications	19
Dimensions & Clearances	21
Venting	23
Installation Planning	28
Installation	28
Unpack Appliance.....	28
Remove Window	29
Unpack Casing	29
Reposition Lighting Instructions Plate	29
Unclip Remote Control Receiver	29
Install Optional Fan (if required)	29
Install Gas Pipe & Connector	30
Install Receiver into Position	30
Convert Vent Outlet (if necessary).....	30
Connect Gas Supply.....	31
Install Traditional Log Set MF28LSK	32
Install Driftwood Set MF28DWK	34
Install Splitwood Kit MF28SWK	36
Refit and Check Window	38
Install Battery Holder	39
Synchronize Remote Control.....	40
Check Operation.....	40
Adjust Aeration (if necessary).....	40
Install Front and Barrier Screen.....	41
Install Handset Wall Holder	41
Wiring Diagram	42
Approved Venting Components	43
Commonwealth of Massachusetts	45
Warranty	47
Spare Parts	48

Massachusetts: The piping and final gas connection must be performed by a licensed plumber or gas fitter in the State of Massachusetts. Also, see Carbon Monoxide Detector requirements on page 45.



SAFETY AND YOUR FIREPLACE

Read and understand all instructions carefully before starting the installation. **Failure to follow** these installation instructions may result in possible fire hazard and will void the warranty.

Prior to the first firing of the fireplace, read the Owner's information section of this manual.

Do not use this appliance if any part has been under water. Immediately, call a qualified service technician to inspect the unit and to replace any part of the control system and any gas control that has been under water.

This unit is not for use with solid fuel.

Installation and repair should be performed by a qualified service person. The appliance and venting system should be **inspected** before initial use and at least annually by a professional service person. More frequent cleaning may be required due to excessive lint from carpeting, bedding, etc. It is **imperative** that the unit's control compartment, burner, and circulating air passageways **be kept clean** to provide for adequate combustion and ventilation air.

Always keep the appliance clear and free from combustible materials, gasoline, and other flammable vapors and liquids.

Never obstruct the flow of combustion and ventilation air. Keep the front of the appliance **clear** of all obstacles and materials for servicing and proper operation.

This unit must be used with a vent system as described in this installation manual. **No other vent system or components may be used.**

This gas fireplace and vent assembly must be vented directly to the outside and must never be attached to a chimney serving a separate solid fuel burning appliance. Each gas appliance must use a separate vent system. Common vent systems are prohibited.

Inspect the external vent cap on a regular basis to make sure that no debris, plants, trees, shrubs are interfering with the air flow.

Turn off the gas before servicing this appliance. It is recommended that a qualified service technician perform an appliance check-up at the beginning of each heating season.



WARNING:

This product can potentially expose you to chemicals including Benzene which are known to the State of California to cause cancer and birth defects or other reproductive harm. **For more information go to www.P65Warnings.ca.gov**

Do not use this heater as a temporary source of heat during construction.

Due to the high temperature, the appliance should be **located** out of traffic areas and away from furniture and draperies.

Clothing or flammable material **should not be placed** on or near the appliance.

This appliance is a **domestic room-heating appliance**. It must not be used for any other purposes such as drying clothes, etc.

Do not place furniture or any other combustible household objects within 36" of the fireplace front.

Be careful not to put any decorating objects sensitive to heat to close above or around the fireplace as it gets very hot when operating.

The glass door assembly must be in place and sealed before the unit can be placed into safe operation.

Do not operate this appliance with the glass door removed, cracked, or broken. Replacement of the glass door should be performed by a licensed or qualified service person. Do not strike or slam the glass door.

The glass door assembly shall only be replaced as a complete unit, as supplied by the fireplace manufacturer. No substitute material may be used.

Do not use abrasive cleaners on the glass door assembly. Do not attempt to clean the glass door when it is hot.

A barrier designed to reduce the risk of burns from the hot viewing glass is provided with this appliance and **shall be installed for the protection of children and other at-risk individuals.**

If the barrier becomes damaged, the barrier shall be replaced with the manufacturer's barrier for this appliance.

Any safety screen, guard or barrier removed for servicing the appliance, must be replaced prior to operating the appliance.

Children and adults should be alerted to the hazards of high surface temperature and should stay away to avoid burns or clothing ignition.

Young children should be carefully supervised when they are in the same room as the appliance. Toddlers, young children and others may be susceptible to accidental contact burns. A physical barrier is recommended if there are at-risk individuals in the house. To restrict access to a fireplace or stove, install an adjustable safety gate to keep toddlers, young children and other at-risk individuals out of the room and away from hot surfaces.



Safety and Your Fireplace

Read and carefully follow all safety warnings and operating instructions contained in your owner's manual

Replacement manuals are available by contacting the Valor Service Department at 1-800-468-2567 or visit www.valorfireplaces.com.

FOLLOW THESE IMPORTANT CHILD SAFETY PRECAUTIONS AND RECOMMENDATIONS

Parts of your Valor Fireplace become extremely hot while in operation.

The glass viewing window temperature can exceed 500 F at full capacity.

Momentary contact with a hot glass surface can cause a severe burn, even if the fireplace is operating at reduced heating capacity.

The glass window will remain hot for an extended period of time after the fireplace has been turned off. Ensure that children are prevented from touching the fireplace during the cool down period.

Toddlers and Young Children must be closely supervised at all times when they are in the same room as the operating fireplace. They lack full awareness of danger and rely on your protection. Toddlers, in particular, do not have the motor skills and response reflexes to withdraw in the event of accidental contact with a hot surface.

A physical barrier is strongly recommended if there are young children, or at-risk individuals in the house. Install an approved after-market safety gate to keep toddlers, young children and



other at-risk individuals a safe distance from the fireplace.

Keep the remote control handset out of reach of children at all times. A wall mount storage holster is provided with your remote control handset.

Ensure that the fireplace, including the pilot light, is completely turned off when children are present and close supervision and safety barriers are not available—see page 7 of this manual.

If the fireplace is not going to be used for the summer or any extended period of time, remove the batteries from the remote control handset and remote battery box. It is recommended that batteries are replaced annually in any event—see page 18.



SAFETY AND YOUR FIREPLACE

This manual and particularly the preceding and following pages contain very important information regarding the safe operation of your fireplace as well as maintenance instructions. Read carefully before operating your fireplace and pay special attention to the safety warnings.

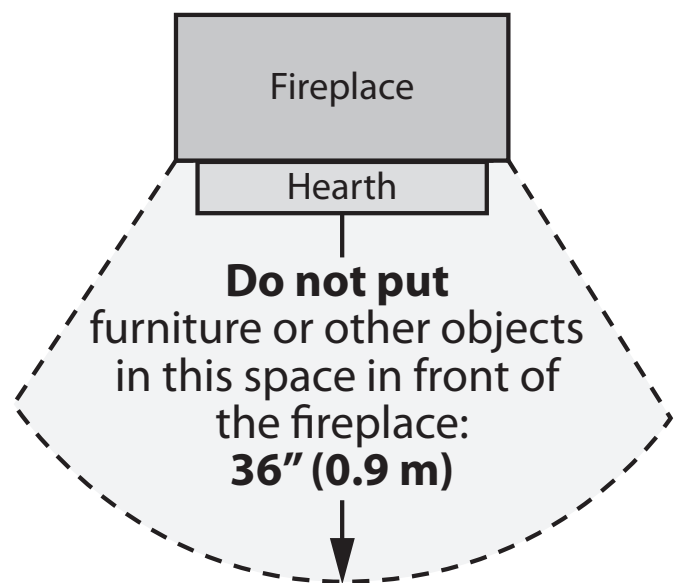
A heating gas appliance does require safe handling. For this reason, we very strongly recommend children are not allowed to touch the fireplace or controls. **Install a screen or barrier in front of the fireplace to protect your children against severe burns.**

This appliance is designed and approved as a supplemental heater and provides the potential for most energy conservation when used while attended. The use of an alternate primary heat source is advisable.



WARNING EXTREMELY HOT!!!

- **Read the safety information on pages 3 and 4 of this manual before operating your gas heater.**
- Some parts of your stove are **extremely hot**, particularly the **glass** window.
- **Do not let children touch the glass** or any parts of your stove **even after it is turned off** as it is still hot.
- **Use the barrier screen** provided with the trim or a gate to reduce the risk of severe burns.
- Keep the remote control handset **out of reach of children.**
- **Hot hearth/floor surface!** The hearth or floor directly in front of the stove is very hot when the stove heats. Even if constructed of non-combustible materials, and although safe, it may reach temperatures **in excess of 250° F** depending on choice of materials. **Do not step on it!**
- Some materials or items, although safe, may discolor, shrink, warp, crack, peel, and so on because of the heat produced by the stove. **Avoid placing** candles, paintings, photos, and other items **sensitive to heat** within 36 inches (0.9 m) around the stove.
- Solid wood flooring in front of the stove (if allowed) may shrink during the heating season due to heat.



Thank You ...

For purchasing a Valor by Miles Industries. Your new radiant gas heater is a technical appliance that must be installed by a qualified dealer. Each Valor stove is fully tested during the production process for your safety and comfort.

Your unit has been professionally installed by:

Dealer Name: _____

Phone Number : _____

Should you encounter an operational problem, call your dealer immediately.

Do not try to repair the unit as you may cause an injury or damage the fireplace.

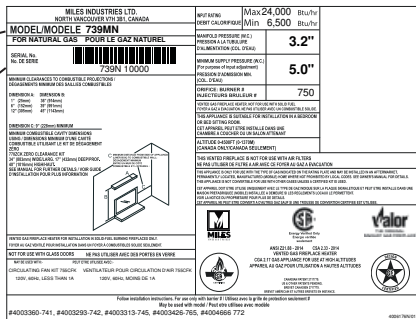
Locating Fireplace & Lighting Information Card

⚠ WARNING

DO NOT ATTEMPT TO TOUCH THE DATA CARD WHILE THE FIREPLACE IS STILL HOT! Let the fireplace cool first before touching it.

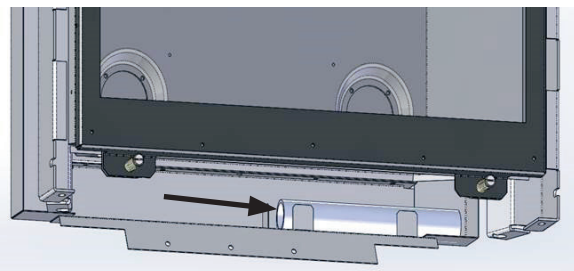
The Fireplace and Lighting Information card is located in a different area depending of the stove casing the appliance is installed in. The card contains important information on both sides, please read it.

Fireplace model
Serial number



Traditional arched or square stoves MFCS01, MFCS02: To access the card, reach over the top of the stove and pull the card out from its holder to read it.

Madrona Modern stoves MFCS05: To access the card, reach underneath the firebox. The card is rolled and tucked in at the rear above the angled flange/fan (if installed). Pull it out to read it.



On Madrona Modern stove MFCS05

Operating Your Stove for the First Time

When operating your new stove for the first time, some vapors may be released due to the burning of curing compounds used in the manufacture of the appliance.

They may cause a slight odor and could cause the flames to be the full height of the firebox, or even slightly higher, for the first few hours of operation.

It is also possible that these vapors could set off any smoke detection alarms in the immediate vicinity.

These vapors are quite normal on new appliances. We recommend opening a window to vent the room. After a few hours use, the vapors will have disappeared and the flames will be at their normal height.

Flame Supervision Device

For your safety, this appliance is fitted with a flame supervision device which will shut-off the gas supply if, for any reason, the pilot flame goes out. This device incorporates a fixed probe, which senses the heat from the pilot flame. If the probe is cool, the device will prevent any gas flow unless manually lighting the pilot. See full lighting instructions on page 13 of this manual.

Performance of propane gas appliances may be affected by the quality of commercial gas supplied in your area.

Operating Your Stove

Stove Control Devices

There are three ways to control your stove.

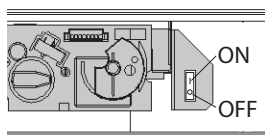
1. Thermostatic Remote Control can be programmed to function automatically—see details starting on page 8;
2. Wall Switch (optional) turns fire on, off and controls flame height—see Wall Switch Kits 1265WSK or RBWSK.
3. Manual On/Off switch must be ON for the stove to function. It can be used to shut off the stove in case of emergency—see below.



Thermostatic Remote Control



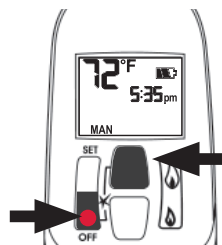
Wall Switch (optional)



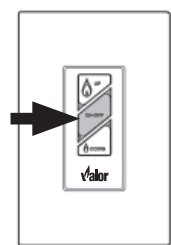
Manual On/Off Switch

How to Turn Your Stove ON

Press and hold button(s) until a short beep confirms the start sequence has begun; release buttons. Continuing beeps confirm the ignition is in process.



Remote control handset

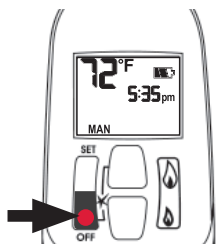


Wall Switch (optional)

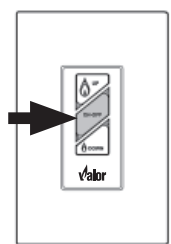
When the pilot is lit, the gas flows—see *Using the Remote Control* section for more information.

How to Turn Your Stove OFF (including pilot)

Press and hold the OFF button for a second (either on the handset or the wall switch).



Remote control handset

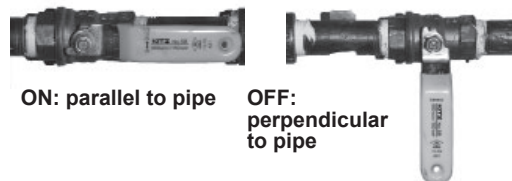


Wall Switch (optional)

If the flames are on, they go down and you hear the valve motor wind down. You hear a clunk and a beep indicating that the valve has received the signal from the remote control.

In the unlikely event that you cannot turn off your stove with the remote control handset, use the wall switch; if the wall switch malfunctions and will not turn off the stove, wait 6 hours and the stove will automatically go to pilot. You can then access the controls inside your stove.

Alternately, turn off gas supply. In all cases, call your dealer for service assistance.



ON: parallel to pipe

OFF: perpendicular to pipe

How to Prevent Your Stove from Being Turned ON Inadvertently

⚠ WARNING

RISKS OF SEVERE BURNS! SURFACES OF THE STOVE ARE VERY HOT DURING OPERATION! Ensure stove has cooled off before accessing controls.

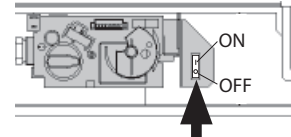
- You can prevent your stove from lighting by pressing the **O** button on the manual ON/OFF switch on the gas valve.

Traditional Stoves—arched or square fronted MFCS01 or MFCS02

Modern Stove MFCS05



Manual On-Off Switch



- Alternately, remove all batteries from the receiver as well as the battery from the handset.

Automatic Shut-Off (in certain conditions)

Your stove's remote control is equipped with an automatic shut-off mechanism which is activated in certain conditions. See page 11 in the *Using the Remote Control* section for a description of this feature.

Using the Remote Control

Radio Frequency

315 MHz for USA and Canada.

This device complies with Part 15 of the FCC Rules and with Industry Canada license-exempt RSS standard(s). Operation is subject to the following two conditions:

- (1) this device may not cause harmful interference, and
- (2) this device must accept any interference received, including interference that may cause undesired operation.

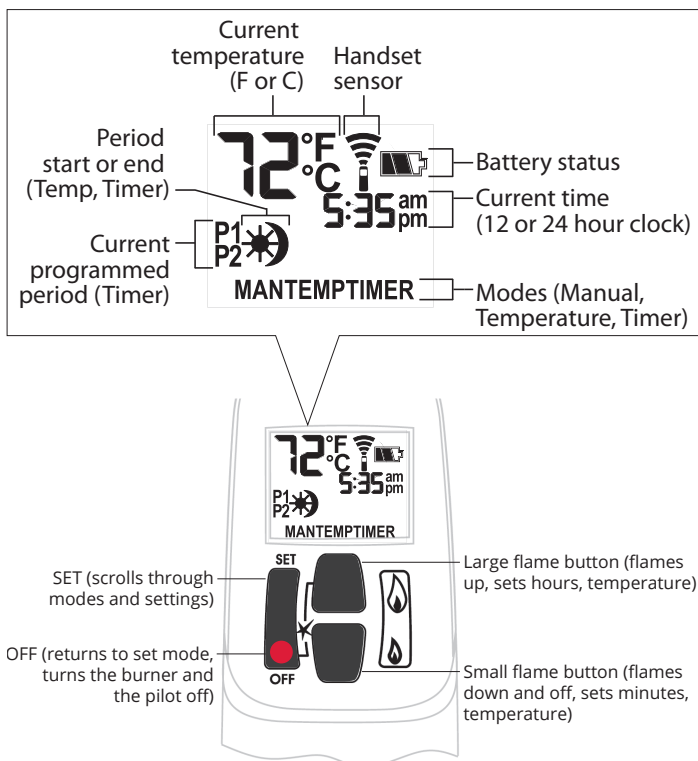
NOTE: Before using the remote control system for the first time, the receiver and the handset must be synchronized. See the section *Synchronize Remote Control* on page 1.

IMPORTANT: BEFORE YOU BEGIN, please note that on this system, the settings of time, temperature and automatic ON/OFF **can only be programmed when the function display is flashing**. Be patient when programming as it can take a few seconds to set.

Note: In the TEMP or TIMER modes, the remote handset senses the room temperature and adjusts the flame accordingly.

To communicate, the handset should be within 15 feet (4.5 meters) of the fireplace.

Do not leave the handset on the mantel or hearth.




Turn Fireplace ON

Press ● + 🔥 buttons until you hear a short beep; release buttons.

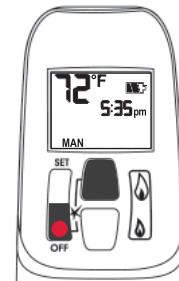
Beeping continues until pilot is lit.

Burner lights to maximum flame height and handset goes automatically to manual (MAN) mode.

NOTES:

On the valve, MAN button must be at ON, in full counter-clockwise position .

ON/OFF switch (if equipped) must be in I (ON) position.



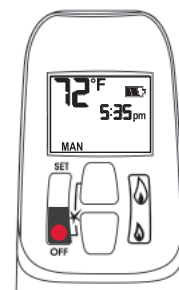
Turn Fireplace OFF

Press ● button.

When pilot is just turned off, wait 2 minutes to light it again.

Standby Mode (Pilot Flame)

Press and hold 🔥 to set fireplace to pilot.

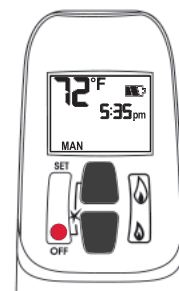


Adjust Flames Height

With pilot lit, press and hold buttons:

- 🔥 = increase flame height
- 🔥 = decrease flame height or set to pilot

For fine adjustment, tap buttons.

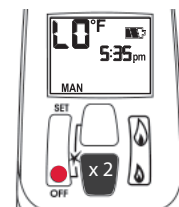
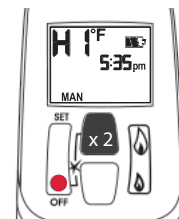


Express Low and High Fire

Double-click buttons:

- 🔥 = increase flame to maximum height "HI"
- 🔥 = decrease flame minimum height "LO"

NOTE: Flame goes to high fire first before going to designated low fire.

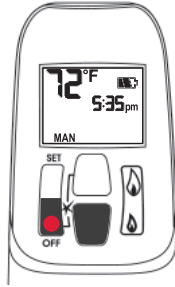


Using the Remote Control

Setting °C/24-hr or °F/12-hr clock

In MAN mode, press and hold ● + 🔥 buttons until temperature / clock display changes from

°F / 12-hour ↔ °C / 24-hour



Setting Time

The time display will flash after either:

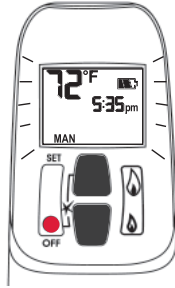
- installing the battery, or
- pressing 🔥 + 🔥

To set the time, press buttons:

🔥 = hour

🔥 = minutes

Press ● or wait to go back to MAN.

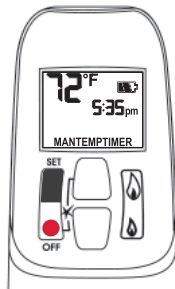


Modes of Operation

Briefly pressing SET cycles through modes of operation.



NOTE: Press 🔥 or 🔥 to reach MAN mode.



MAN Manual Mode

Manual flame height adjustment.



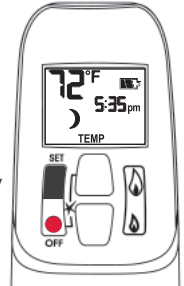
⚡TEMP Daytime Temperature Mode

When pilot is lit, room temperature is measured and compared to set temperature. Flame height automatically adjusts to reach Daytime Set Temperature.



🌙TEMP Night time Setback Temperature Mode

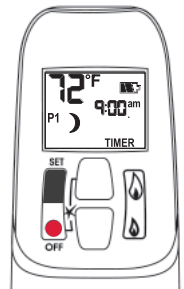
When pilot is lit, room temperature is measured and compared to set temperature. Flame height automatically adjusts to reach Night Time Setback Temperature.



TIMER Timer Mode

When pilot is lit, two periods of time (P1 and P2) can be programmed to use Daytime and Night time temperatures at specific times.

Note: Display shows set temperature every 30 seconds.



Set the different parameters when they are flashing.

Using the Remote Control

Setting high / low Temperatures

Setting "DAYTIME" high temperature.

Default Settings:  TEMP 23 °C/74 °F

Press SET to scroll to  TEMP

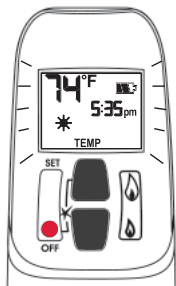
Hold SET button until TEMP flashes.

To set  Daytime Temperature:

 = increases temperature.

 = decreases temperature.

Press  or wait to complete setting.



Setting "NIGHT TIME SETBACK" low temperature.

Default Settings:  TEMP "--" (OFF)

Press SET to scroll to  TEMP

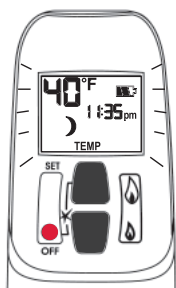
Hold SET button until TEMP flashes.

To set  Night Time Temperature:

 = increases temperature.





 = decreases temperature.

Press  or wait to complete setting.



Setting Program Timers


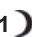
You can program two periods of time between 12 am and 11:50 pm in each 24-hour cycle.



Programs P1 and P2 must be set in the following order during a 24-hour cycle: **P1** , **P1** , **P2**  and **P2** .

 = Day Time temperature (high) program period

 = Night Time temperature (low) program period

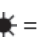

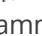
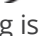
Default Settings:



Program 1: **P1**  06:00 am **P1**  08:00 am




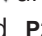

Program 2: **P2**  11:50 pm **P2**  11:50 pm

Press SET to scroll to .



If **P1**  = **P1**  or **P2**  = **P2** , programming is cancelled.


To keep fireplace ON all night, set **P2**  at 11:50 am and **P1**  at 12:00 am.

If you want to program only one period, program **P1**  and **P1**  with desired times then **P2**  and **P2**  with the same time as **P1** .

Setting P1 time—high temperature.

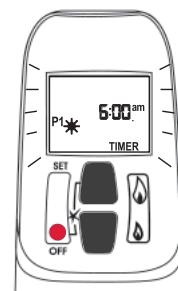
Hold SET button until **P1**  is displayed and time flashes.

To set time:


 = hour

 = minutes


Press  or wait to complete setting.




Setting P1 time—low temperature.

Hold SET button until **P1**  is displayed and time flashes.

To set time:

 = hour

 = minutes

Press  or wait to complete setting.

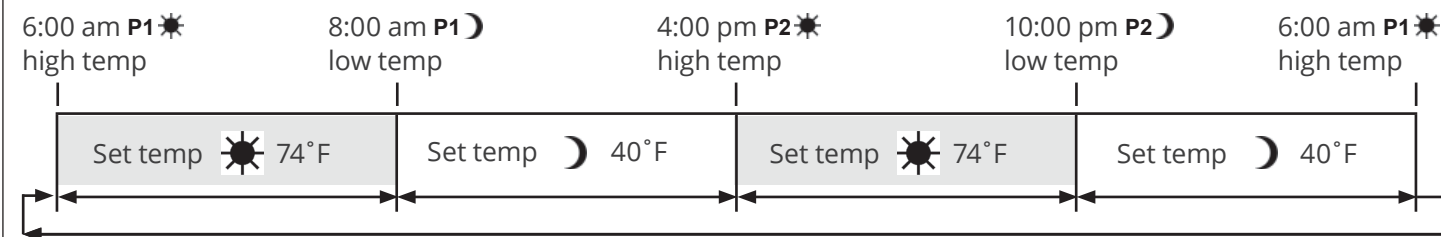
Using the Remote Control

Setting P2 high and low temperature times.

Repeat same steps as Setting P1.

When all settings are complete, press  to save them.

Timer Programming Example (default temperatures shown)



Automatic Turn Down

8-Hour no Motor Movement

The valve will turn to pilot flame if there is no motor movement for an 8-hour period.

Automatic Shut-Off

Low Batteries Receiver. With low battery power in the battery holder the system shuts off the fire completely. This does not apply when the power supply is interrupted.

On-Demand Pilot (7 Day Shut-Off). This green feature eliminates gas energy consumption during extended appliance inactivity. When the appliance is inactive for an extended period of time the system automatically extinguishes the pilot. This feature helps the consumer realize cost benefits by automatically eliminating energy consumption during non-heating months and limited use.

The programmed length of inactivity to activate the system is specified by the appliance manufacturer and cannot be altered in the field.

Low Battery Indication

Caution

DO NOT USE a screwdriver or other metallic object to remove batteries from holder. This could cause a short-circuit.

Handset: The battery icon  will show when the battery needs to be replaced. Replace with one 9 V **alkaline** battery.

Battery holder: Frequent 'beeps' for 3 seconds when the valve motor turns indicate the batteries need to be replaced in battery holder. Replace with four 1.5 V **alkaline** batteries.

Handset / Receiver Match

The remote control handset and receiver are programmed to function together. In case of a replacement of the handset or the receiver, you will need to reset the receiver to allow them to function together. Contact your dealer for details.

Kits & Accessories

Required Kits

Information accurate at the time of printing and subject to change without notice.

Fuel Beds (choose one)		
MF28LSK	Traditional Log Set	
MF28DWK	Driftwood Kit	
MF28SWK	Splitwood Kit	
Stove Casing (choose one)		Barrier Screens
MFCS01	Traditional Stove Black	
	Arched front	4003311
	Square front	4004796
MFCS02	Traditional Stove Majolica Brown	
	Arched front	4003311
	Square front	4004796
MFCS05	Modern Stove	4006079

Optional Accessories

Information accurate at the time of printing and subject to change without notice.

Gas Conversion Kits	
MA28INK	Conversion to natural gas
MA28IPK	Conversion to propane gas
Other Accessories	
555CFK	Circulating Fan Kit
1265WSK	Wall switch kit
RBWSK	Remote battery & wall switch kit
Hearth Gate	Hearth gates such as Cardinal's <i>VersaGates</i> are available at retail stores carrying safety products for children.

Lighting Instructions

FOR YOUR SAFETY, READ BEFORE LIGHTING

WARNING: If you do not follow these instructions exactly a fire or explosion may result causing property damage, personal injury or loss of life.

- A. This appliance has a pilot which must be lighted by hand or by remote control. Follow these instructions exactly. To save gas, turn the pilot off when not using the appliance for a prolonged period of time.
- B. **BEFORE LIGHTING**, smell all around the appliance area for gas. Be sure to smell next to the floor because some gas are heavier than air and will settle on the floor.

WHAT TO DO IF YOU SMELL GAS

- Do not try to light any appliance.
 - Do not touch any electric switch; do not use any phone in your building.
 - Immediately call your gas supplier from a neighbor's phone. Follow the gas supplier's instructions.
 - If you cannot reach your gas supplier, call the fire department.
- C. Use only your hand to push in or turn the control knobs. Never use tools. If the knobs will not push in or turn by hand, don't try to repair them; call a qualified service technician. Force or attempted repair may result in a fire or explosion.
- D. Do not use this appliance if any part has been under water. Immediately call a qualified service technician to inspect the appliance and to replace any part of the control system and any gas control, which has been under water.

LIGHTING INSTRUCTIONS

Dependent on model, switch #1 may be mounted directly to valve see Fig 2A.

Fig 1

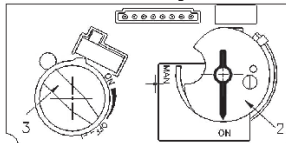
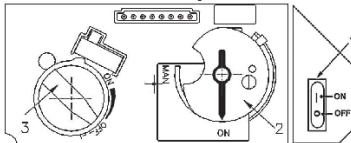


Fig 1A

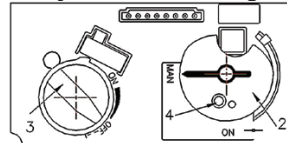


Fig 2

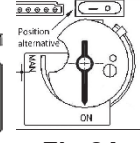



Fig 2A

1. **STOP!** Read the safety information above.
 2. **SET ON/OFF SWITCH (1) TO "OFF" POSITION.**
 - Wait five (5) minutes to clear out any gas, then smell for gas, including near the floor. If you smell gas, **STOP!** Follow "B" in the safety information above on this label. If you don't smell gas, go to the next step.
 3. **AUTOMATIC IGNITION (fig. 1):** Locate the pilot (fig 3.) inside of firebox.
 - ON/OFF switch (1) in ON position, MAN-knob (2) in ON position; set Flame Adjustment knob (3) to lowest setting (0)
 - On the remote control handset, press and hold the 'off' button and  (large flame) simultaneously; a short acoustic signal confirms the start has begun;
 - Further short acoustic signals indicate the ignition process is in progress;
 - When the pilot is lit, the Flame Adjustment knob (3) will automatically rotate to the highest setting.
 - Press the small flame on the remote control handset to reduce the flame height.
 4. **MANUAL IGNITION (fig. 2):** With the window off, locate pilot (fig. 3) inside firebox;
 - ON/OFF switch (1) in ON position, MAN-knob (2) in MAN position;
 - Set Flame Adjustment knob (3) to the lowest setting (0);
 - Push down the metallic core (4) with a pen or similar instrument; this will establish the pilot gas flow;
 - Light gas at the pilot (5) with a match;
 - Continue holding down metal core (4) for about 10 seconds; after release, pilot should remain lit;
 - If the pilot will not stay lit after several tries, turn the gas control knob (3) to "OFF" (0) and call your local service technician or gas supplier.
- Reinstall the window and set the MAN-knob (2) to "ON"; turn Flame Adjustment knob (3) up (5) or down manually or use the up/down 'flame' buttons on the remote control handset to adjust the flame height.

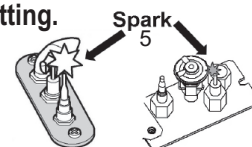


Fig 3

TO TURN OFF GAS TO APPLIANCE

AUTOMATIC SHUT-OFF (using the remote control handset):

1.
 - Press and hold the small flame on the remote control handset to shut-off the main burner gas flow;
 - Press "OFF" button (red dot) on remote handset to shut-off the appliance, including pilot flame.

Servicing Your Fireplace

We recommend having your fireplace serviced every year. Contact your supplier quoting the model number. It will be helpful if the appliance's serial number can also be quoted. These numbers are on the information card. The replacement parts are shown at the end of this manual. Please always quote the part number and description when requesting spare parts.

Annual Inspection

In order to maintain the safe operation of your fireplace, contact your dealer to have a qualified technician go over the list below and make the necessary verifications at least once every year.

Safe Operation List

To be performed by a qualified technician only

1. Inspect and operate the pressure relief mechanism to verify relief mechanisms are free from obstruction to operate. See *Cleaning Your Fireplace: To refit the window* section of this manual.
2. Clean glass window with a suitable fireplace glass cleaner. Abrasive cleaners must not be used. Be careful not to scratch the glass when cleaning. See *Cleaning Your Fireplace* section of this manual.
3. Inspect the operation of the flame safety system Pilot or Flame rectification device.
4. Inspect and ensure the lighting of the main burner occurs within 4 seconds of the main gas valve opening. Visual inspection should match that outlined in the appliance instruction manual. Inspect primary air openings for blockage. See *Checking Pilot and Burner Flame* section of this manual.
5. Inspect condition of vent and vent terminal for sooting or obstruction and correct if present.
6. Vacuum and clean any debris in the firebox that is not supposed to be there.
7. Test and measure the flame failure response time of the flame safety system. It must de-energize the safety shutoff in no more than 30 seconds.
8. Check all accessible gas-carrying tubes, connections, pipes and other components for leaks. See *Set up Gas Supply* section of this manual.

Servicing & Maintenance

Cleaning Your Stove

! WARNING**DO NOT TOUCH THE GLASS WHILE IT IS HOT!**

Let the stove cool first before cleaning it.

Cleaning the Window

Important - Glass cleaning - Mineral deposits

One of the by-products of the combustion process in a gas appliance is a mineral which can show up as a white film on the ceramic glass of the viewing door. The composition of the deposit varies widely with location and time. It is believed to be associated with the varying sulfur content of the gas. You may have the problem intermittently.

We have consulted with ceramic glass manufacturers and they cannot offer a definitive solution to this problem. Dealers have tried various cleaning products with varying results. The following are recommendations only and are not meant to guarantee results.

NOTE: This is a problem beyond Miles Industries' control and is not covered under warranty.

- Clean the glass regularly as soon as you notice the buildup (white film). If the film is left for a longer period of time, it will bake on. It is then much harder, if not impossible, to remove.
- NEVER use an abrasive cleaner or ammonia-based cleaner on the ceramic glass. Any abrasion of the surface has the immediate effect of compromising the strength of the glass. An emulsion type cleaner is recommended.
- Use a soft damp cloth to apply the cleaner. Dry the glass with a soft, dry, preferably cotton cloth. Most paper towels and synthetic materials are abrasive to ceramic glass and should be avoided.
- Our dealers have had good results from the products listed below. We cannot, however, guarantee the results of these products.
 - BRASSO, POLISH PLUS by KELKEM, COOK TOP CLEAN CREME by ELCO, WHITE OFF by RUTLAND, TURTLE WAX

Do not clean the glass while it is hot!

Always securely replace the window and the barrier screen before lighting.

If broken, the glass pane may only be replaced as a complete window unit as supplied by the manufacturer.

If the barrier becomes damaged, the barrier shall be replaced with the manufacturer's barrier for this appliance.

Cleaning Your Stove

Barrier screens

The barrier screens can be brushed clean.

Stove body

The matte cast iron stove body can be brushed clean. The enameled cast iron and the painted steel stove body can be cleaned with mild soap and water then dried with a lint-free soft cloth.

Touching Up Paint

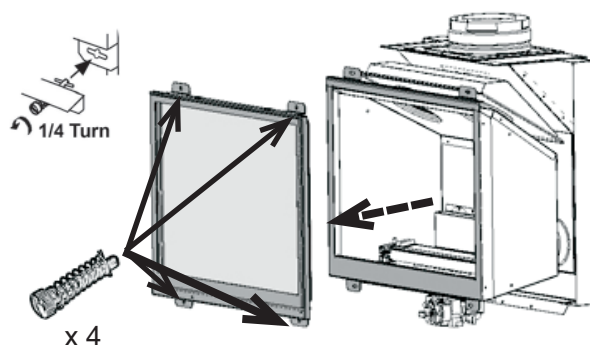
If you need to touch up the paint on your matte cast units MFCS01 or MFCS05, use the Stove Bright by Forrest 1990 Satin Black spray paint. Please note that it may be necessary to spray the entire cast piece.

Logs and burner

Dust can be brushed from the ceramic logs and firebox walls after removing the front unit and opening the window. Dust can also be removed from the burner using a soft brush after removing the ceramic logs. When cleaning, make sure that no particles are brushed into the slots of the burner.

To remove the window for cleaning:

1. **Traditional arched front stoves MFCS01 and MFCS02:** Remove the barrier screen by pulling it on each side and then unhooking the top clip.
Traditional square front stoves MFCS01, MFCS02 and Madrona Modern stove MFCS05: Unhook the cast front.
2. **Traditional arched front stoves MFCS01 and MFCS02:** Unhook the cast front.
3. Rotate the four fastening studs of the window 90 degrees to release them and gently pull the window unit outwards. Set aside in a safe place to avoid damage.



To refit the window:

! DANGER

The window unit must be correctly installed, fastened and sealed after servicing or serious bodily injury and/or damage to the appliance may result.

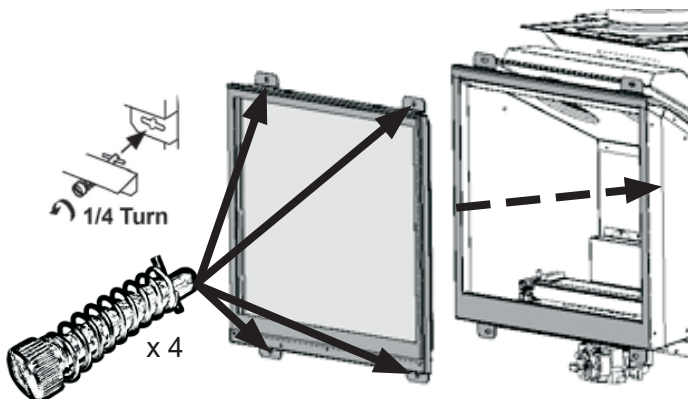
To ensure a safe operation:

- Double-check that the window frame is correctly installed;
- Verify that the spring-loaded bolts are hooked properly to the window tabs then;
- Pull out the top, then bottom of the window and release it to insure the springs return it;
- Ensure the window is sealed before operation.

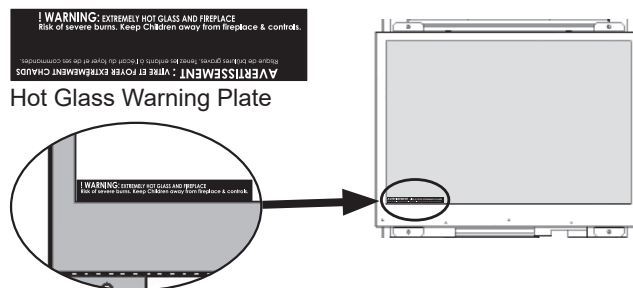
! WARNING

Failure to install the window correctly can leak carbon monoxide, affect the performance of the fireplace, damage components, cause overheating resulting in dangerous conditions. Damage caused by incorrect window installation is not covered by the Valor warranty.

1. Place it on its frame and hold it in place while pushing and turning its fastening studs 90 degrees.
2. Pull out the top and bottom of the window and release it to insure the springs return it.



3. Apply firm hand pressure around the window frame to ensure the window is sealed tight against the firebox.
4. If the Hot Glass Warning plate has been removed from the front lower corner of the window, reinstall it by sliding it between the glass and the frame as indicated.



! WARNING

FOR SAFETY PURPOSE, ensure the barrier screen is re-installed on the stove front after maintenance.

5. Re-install the front with barrier screen.

! WARNING

FOR SAFETY PURPOSE, ensure the barrier screen is re-installed on the fireplace front after maintenance.

- a) Traditional square stoves MFCS01, MFCS02 and Madrona Modern stoves MFCS05: Re-hook the cast front with barrier screen.
- b) Traditional arched stoves MFCS01 and MFCS02: Re-install the barrier screen by inserting first the top clip in the arch of the front and then pushing on the side of the screen so that the clips snap into place.

Servicing & Maintenance

Checking Pilot and Burner Flames

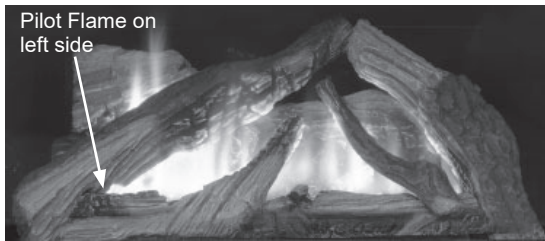
A periodic check of the pilot and burner flames should be made. Check after the fire has been on for at least 30 minutes. The pilot flame must cover the tip of the thermocouple probe. The main burner flame pattern will vary from appliance to appliance depending on the type of installation and climatic conditions.

The appliance area must always be kept clear and free from combustible materials, gasoline and other flammable vapors and liquids.

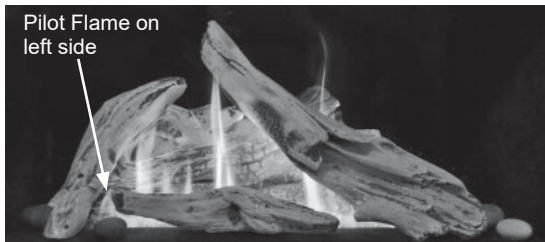
Inspect the vent terminal outdoors regularly to make sure that dirt, snow, insects, leaves, shrubs, trees do not obstruct it.

Examine the whole vent system regularly. We recommend annually.

Correct Flame Picture



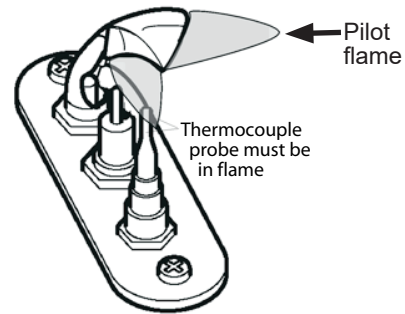
MF28LSK—Traditional Log Set



MF28DWK—Driftwood Kit



MF28SWK—Splitwood Kit



Replacing Batteries

⚠ WARNING

DO NOT ATTEMPT TO CHANGE THE BATTERIES WHILE THE FIREPLACE IS STILL HOT! Let the fireplace cool first before touching it.

CAUTION

DO NOT USE a screwdriver or other metallic object to remove the batteries from the receiver or the handset! This could cause a short circuit to the receiver.

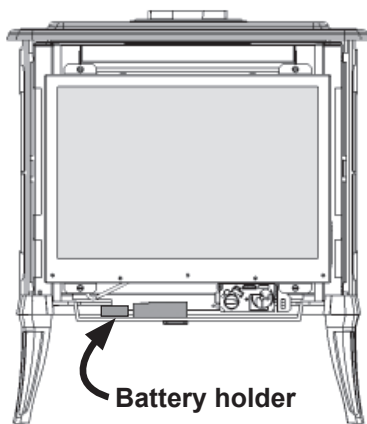
Low battery signal: see page 11.

BEFORE changing the batteries, disconnect the battery holder from the receiver.

The appliance uses four 1.5 V AA **alkaline** batteries for its battery holder and one 9 V **alkaline** battery for its handset. Batteries should last one to two seasons, depending on usage. Removing the batteries in the off-season will extend the battery life. Should the batteries lose power, the control may be operated by manually turning the control knob at the valve or by turning off the valve at the switch.

To replace the batteries in the battery holder:

1. The battery holder is located underneath the firebox behind the front trim. Open the bottom panel. Grab the battery holder and pull it out from its location.



2. Disconnect the battery holder.



3. Replace the batteries with 4 AA **alkaline** batteries.
4. Reconnect the battery holder.
5. Put the battery holder back in its position.
6. Close the bottom panel.

Using Handset Wall Holder

Your fireplace equipment includes a wall holder to store the handset. If it hasn't been installed, refer to the instructions further on in this manual for the installation.



Approval & Codes

This appliance is certified to ANSI Z21.88/CSA 2.33 American National Standard / CSA Standard for *Vented Gas Fireplace Heaters* for use in Canada and USA, and to CGA 2.17-91 *High Altitude Standard in Canada*. This appliance is for direct vent installations.

Conversion between fuels may only be done using the approved conversion kits listed in the *Options* section.

This appliance complies with CSA P.4.1-15 *Testing method for measuring annual fireplace efficiencies*.

The installation must conform to local codes or, in the absence of local codes, with the *National Fuel Gas Code, ANSI Z223.1/NFPA 54* or the *Natural Gas and Propane Installation Code CAN/CGA-B149.1*. Only qualified licensed or trained personnel should install this appliance.

This appliance, when installed with the optional circulating fan kit (blower), must be electrically grounded in accordance with local codes, or, in the absence of local codes, with the *National Electrical Code, ANSI/NFPA 70* or the *Canadian Electrical Code, CSA C22.1*.

Ratings

Model (Field convertible Top or Rear Vent Outlet)	MF28JN	MF28JP
Gas	Natural	Propane
Altitude (Ft)*	0-4,500 feet*	
Input Maximum (Btu/h)	26,000	26,000
Input Minimum (Btu/h)	6,500	14,500
Manifold Pressure (in w.c.)	3.75	9.0
Minimum Supply Pressure (in w.c.)	5.0	11.0
Maximum Supply Pressure (in w.c.)	11.0	14.0
Main Burner Injector Marking	82-750	92-300
Pilot Injector Marking	35	27

*High Altitude Installations

Input ratings are shown in BTU per hour and are certified without deration for elevations up to 4,500 feet (1,370 m) above sea level.

For elevations above 4,500 feet (1,370 m) in USA, installations must be in accordance with the current ANSI Z223.1 and/or local codes having jurisdiction. Heating value of gas in some areas is reduced to compensate for elevation—consult your local gas utility to confirm.

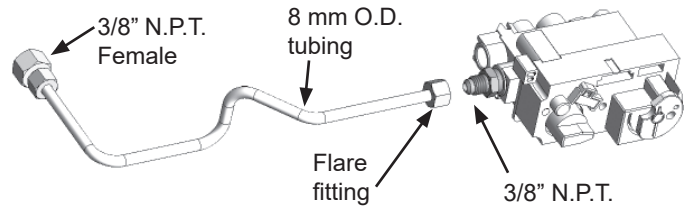
For installations at elevations above 4,500 feet (1,370 m) in Canada, please consult provincial and/or local authorities having jurisdiction.

Supply Gas

Heater engine MF28JN is used with natural gas. Heater engine MF28JP is used with propane gas.

The supply pressure must be between the limits shown in the Ratings section above.

The supply connection is 3/8" NPT female.



Combustible Materials

Combustible materials are defined as materials made of or surfaced with wood, compressed paper, plant fibers, or other materials that are capable of being ignited and burned.

Such material shall be considered combustible even though flame-proofed, fire-retardant treated, or plastered.

Electrical

The Madrona stove does not require an electrical power source unless it is fitted with an optional circulating fan—see page 28.

Hearth Requirements

This unit is approved for mounting directly on combustible wood flooring. If installed directly on carpeting, vinyl or soft combustible floor other than wood, it must be installed on a metal or wood panel covering a minimum surface of 15 inches deep by 28 inches width.

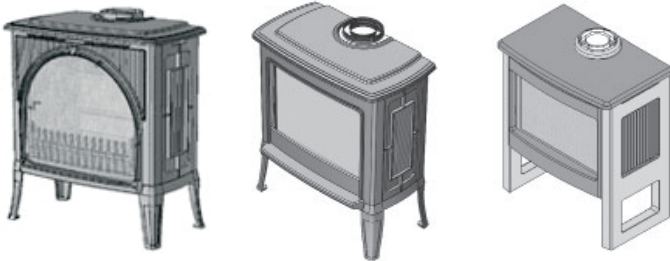
Madrona Stoves

There are two types of stove casing for the Madrona MF28J engine, a traditional style available in two colors and a contemporary style. The stove casings are sold separately.

MFCS01—Traditional Stove Black, arched or square fronted

MFCS02—Traditional Stove Majolica Brown, arched or square fronted

MFCS05—Modern Stove



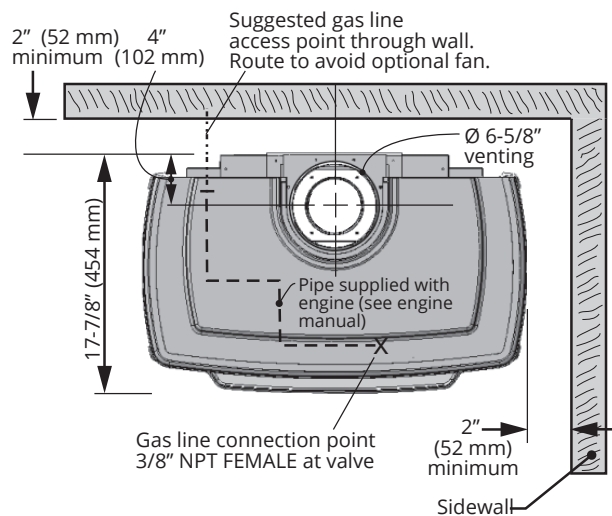
Traditional Stove—arched or square fronted MFCS01 or MFCS02

Modern Stove MFCS05

This appliance is designed and approved as a supplemental heater and provides the potential for most energy conservation when used while attended. The use of an alternate primary heat source is advisable.

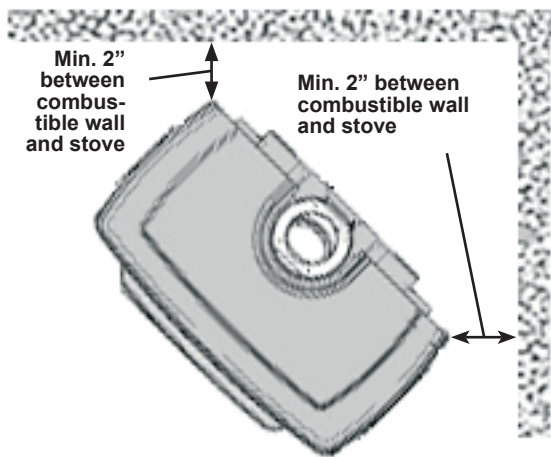
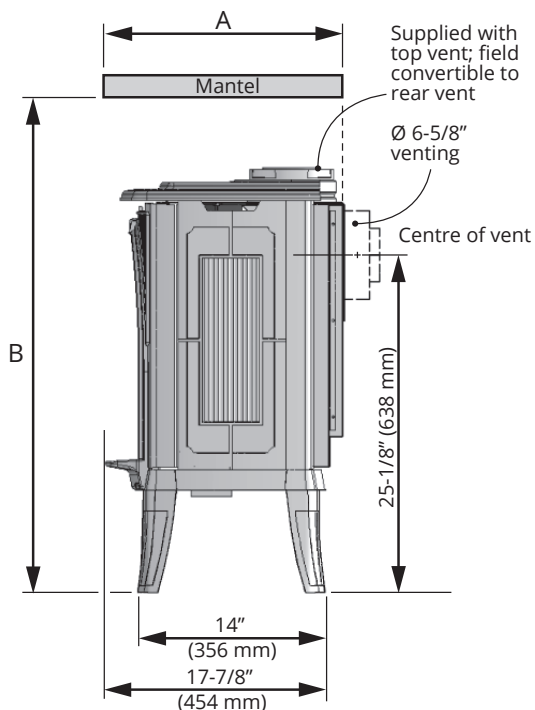
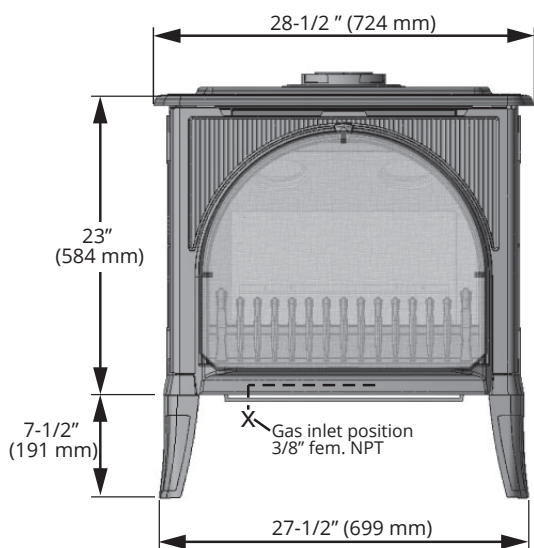
Dimensions & Clearances

Traditional Cast Stove MFCS01 (black) or Traditional Cast Stove MFCS02 (Majolica brown)— arched or square fronted

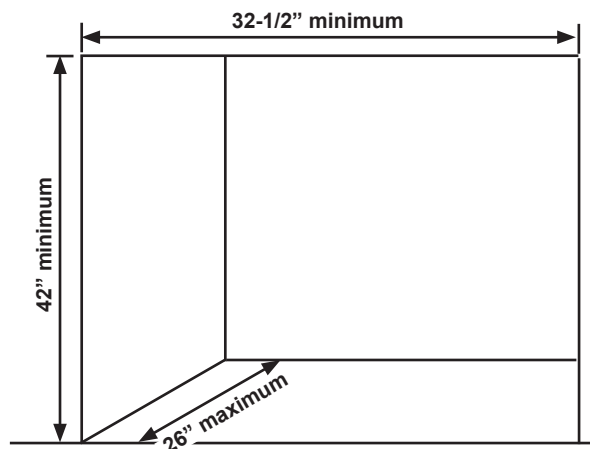


Mantel / shelf clearances

Mantel Depth 'A'	0-1" (0-26 mm)	2-5" (51-127 mm)	6-18" (152-457 mm)	19-24" (483-610 mm)
Mantel Height 'B'	34" (864 mm)	36" (914 mm)	38" (965 mm)	42" (1067 mm)



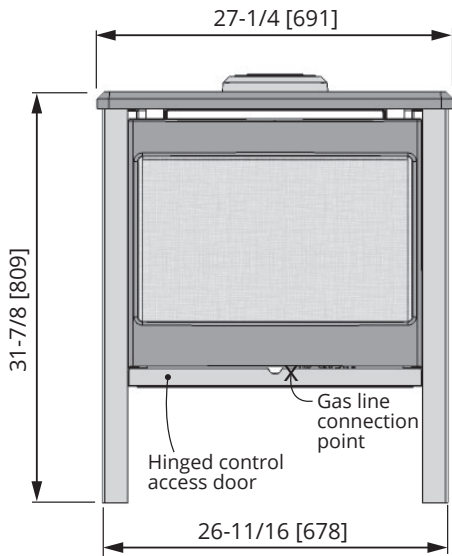
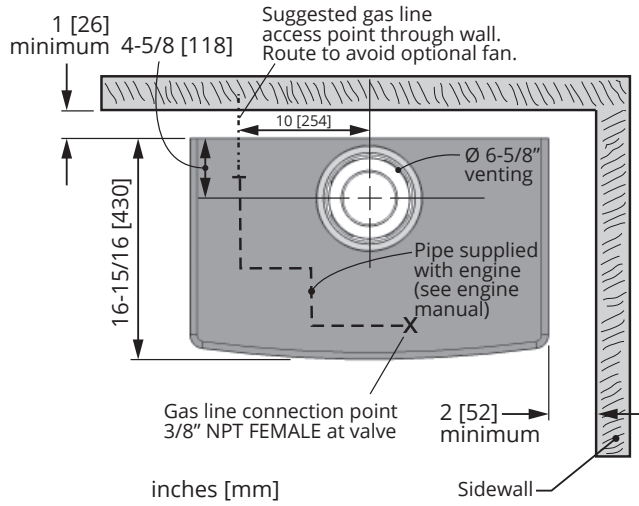
Corner clearances



Alcove clearances

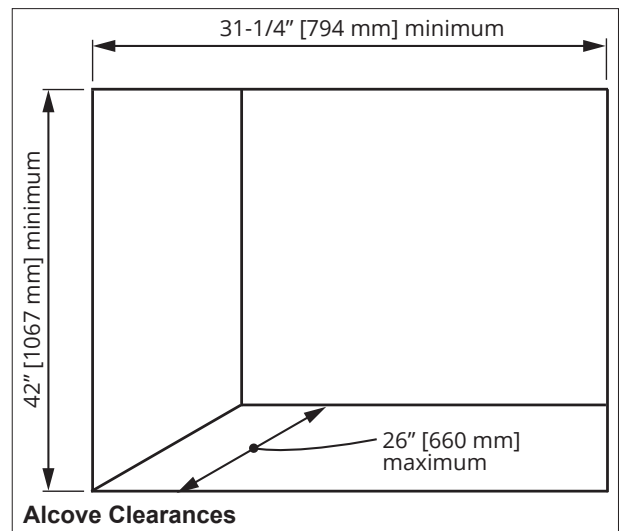
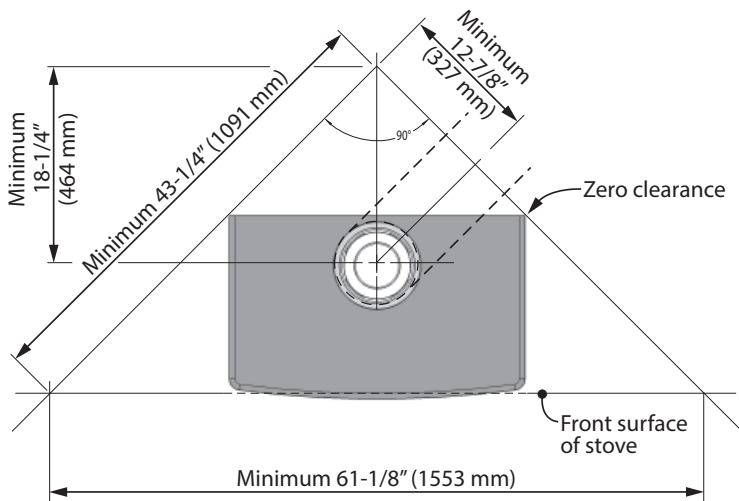
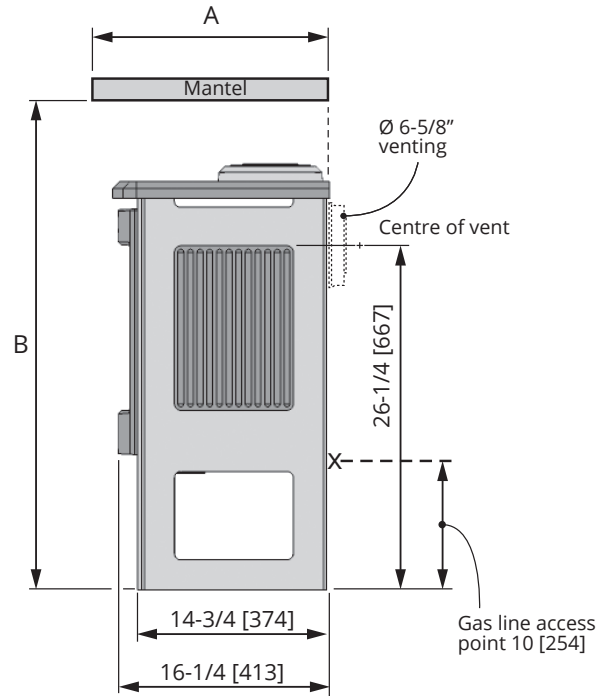
Dimensions & Clearances

Modern Stove MFCS05



Mantel / shelf clearances

Mantel	0-1"	2-5"	6-18"	19-24"
Depth 'A'	(0-26 mm)	(51-127 mm)	(152-457 mm)	(483-610 mm)
Mantel	34"	36"	38"	42"
Height 'B'	(864 mm)	(914 mm)	(965 mm)	(1067 mm)



Venting

Top / Rear Outlet

This unit is shipped with a top outlet collar which is field-convertible to rear outlet—see page 30 for details.

Vent Material

This unit is approved for installation using 4 by 6-5/8 inches co-axial direct vent pipe and accessories—see list of approved venting pipes and accessories on pages 44–45.

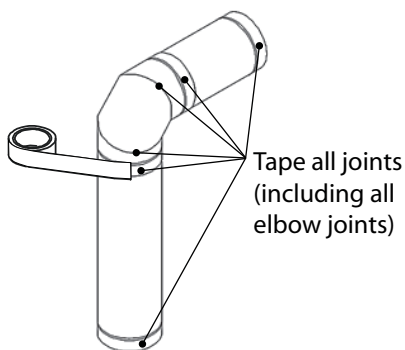
This unit may also be converted to co-linear (two 3 inches) venting (**rear vent only**) for use in solid-fuel burning fireplaces and chimneys using adapters and accessories—see list of approved venting pipes and accessories on pages 44–45. Instructions for co-linear conversion are packaged with the co-linear adapter. Do not mix components from different vent manufacturers. Follow the installation instructions supplied with the individual venting components.

Vent Sealing

Seal all outer coaxial pipe and elbow joints, including sectioned elbow joints, using high quality, high temperature 2 inch wide self-adhesive aluminum foil tape (Nashua-322-2 brand or similar). Wrap the tape completely around all joints and press firmly to seal.

A high temperature black silicone sealant may be used in the outer joints as a substitute to foil tape.

Ensure all the pipe joints have a minimum of 1 ¼ inch overlap.

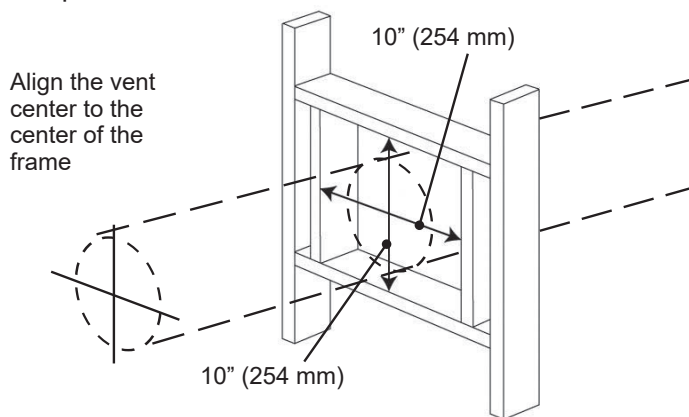


Wall Thickness

The appliance vent is suitable for penetrating a combustible wall assembly up to 14 inches (36 cm) in thickness. A non-combustible wall can be of any thickness up to the maximum horizontal run of vent pipe allowed for the particular installation.

Framing Vent in Combustible Walls & Ceilings

When penetrating through combustible walls and ceilings, frame a minimum of 10 by 10 inches opening to ensure that the insulation is kept clear of the vent pipe. Also, seal all joints between the wall plates, the wall and the vent pipe. Follow the installation instructions supplied with the individual venting components.



All horizontal pipe runs must be graded 1/4 inch per foot upwards in the direction of the exhaust flow. The final pipe length, when terminating through the wall may be graded downwards slightly to prevent water migration.

Important Installer Notice – Weather Sealing & Vapor Barriers

It is the installer's responsibility to ensure that vent installations through exterior walls are caulked and weather-proofed in such a manner as to:

- Prevent rain water from entering the wall from the weather side by adequately caulking the outer vent plate to the exterior wall surface.
- Prevent moisture inside the home from penetrating into the wall structure by ensuring the inside wall plate is adequately sealed to the inside vapor barrier.
- Prevent rain water and moisture from entering the walls by sealing the joints between the outer vent tube and the inner and outer wall plates.

We recommend the use of a high quality polyurethane sealant.

Venting

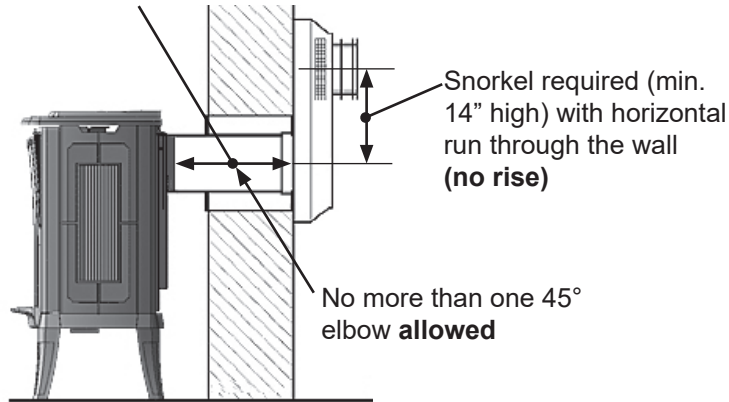
Typical Venting Components

See list of approved venting pipes and accessories on pages 44–45.

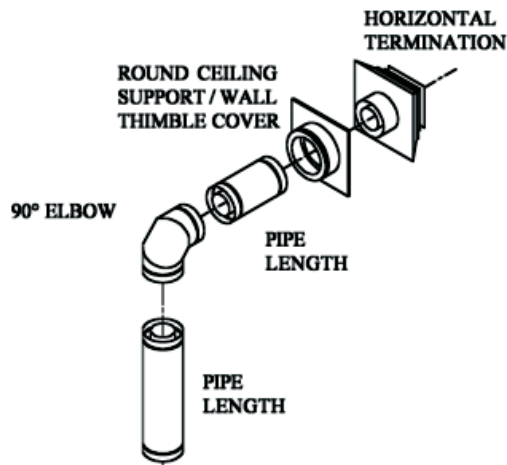
Maximum pipe length:

24" (straight out with snorkel)

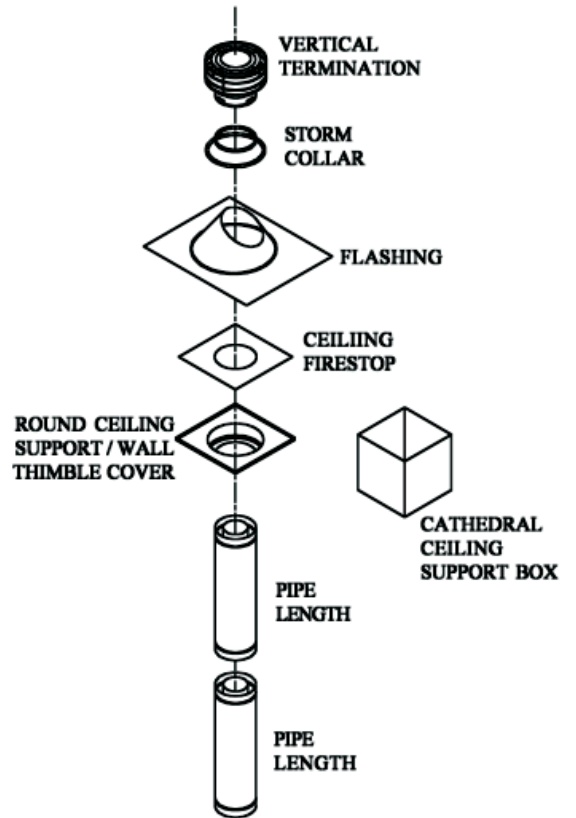
14" (45° elbow out with snorkel)



Through wall (without vertical rise)



Through wall (with vertical rise)



Through roof

Venting

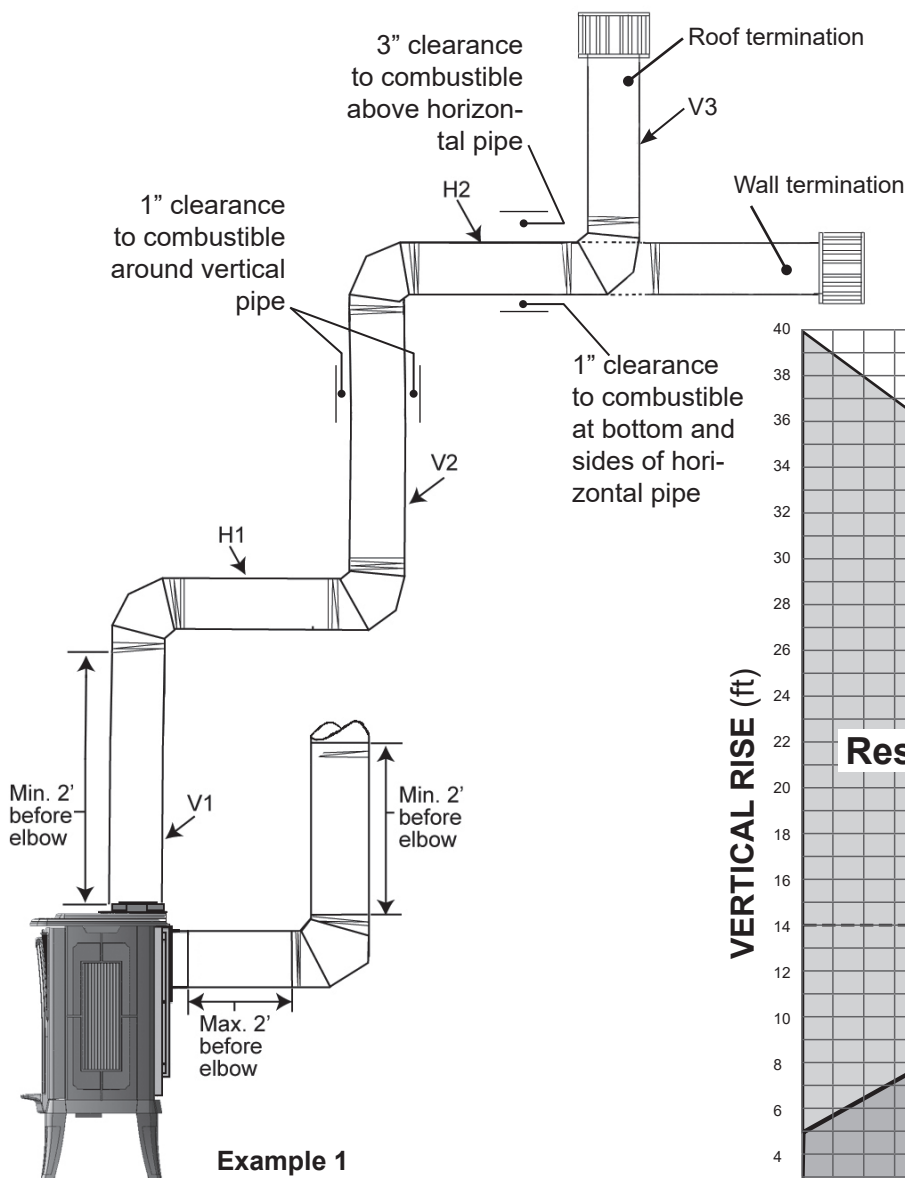
How to Read the Venting Chart

The chart below applies to top or rear outlet, roof or wall termination **with a vertical rise**.

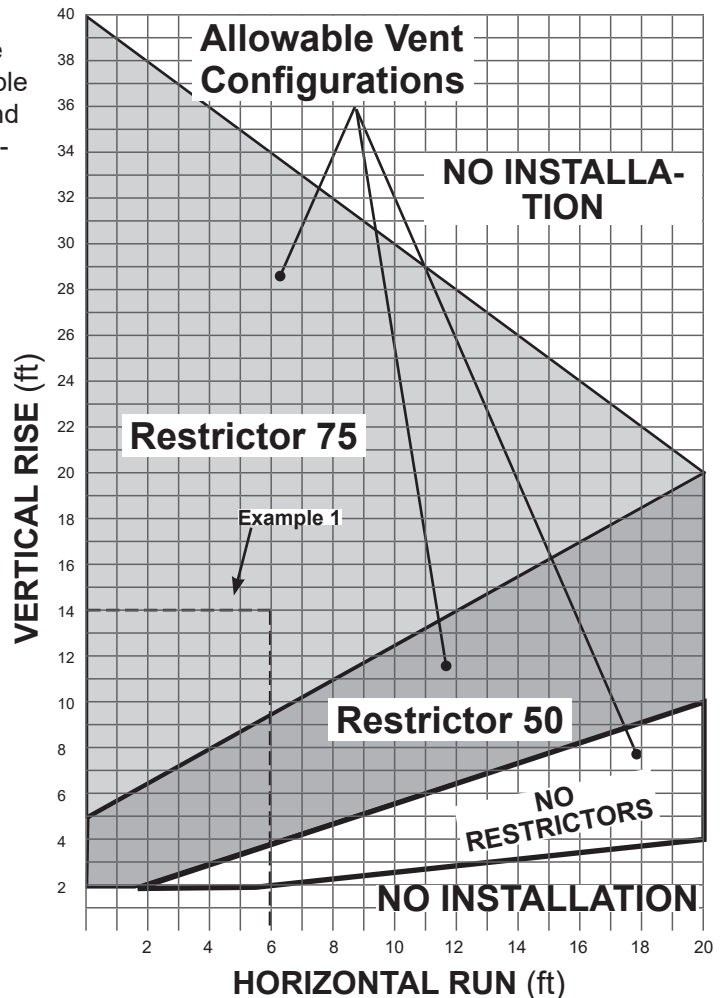
All rear outlet venting without a vertical rise must be terminated by a snorkel.

1. The total length of the vent pipe cannot exceed 40 feet (12.2 m).
2. The minimum vertical height with roof termination is 8 feet (2.45 m).
3. Any combination of rise and run can be used as long as they are within the allowable limits shown on the chart below.

4. A maximum of 5 x 90 degrees elbows or equivalent (2 x 45 degrees = 90 degrees) can be used.
5. Each 90 degrees elbow installed on the horizontal plane is equivalent to a 3 feet horizontal pipe; therefore, 3 feet must be subtracted from allowable horizontal run. (45 degrees elbow is equivalent to 18 inches horizontal pipe.)
6. All horizontal pipe runs must be graded 1/4 inch per foot upwards in the direction of the exhaust flow.
7. **Co-linear rear venting** in existing chimney systems is limited to 40 feet vertical rise.
8. **Restrictors are not required** for co-linear installations.



5 x 90° ELBOWS MAXIMUM



Example 1
V Value = V1 (6') + V2 (6') + V3 (2') = 14'
H Value = H1 (3') + H2 (3') = 6'
75% restrictor required

Not to scale

Venting

Restrictors

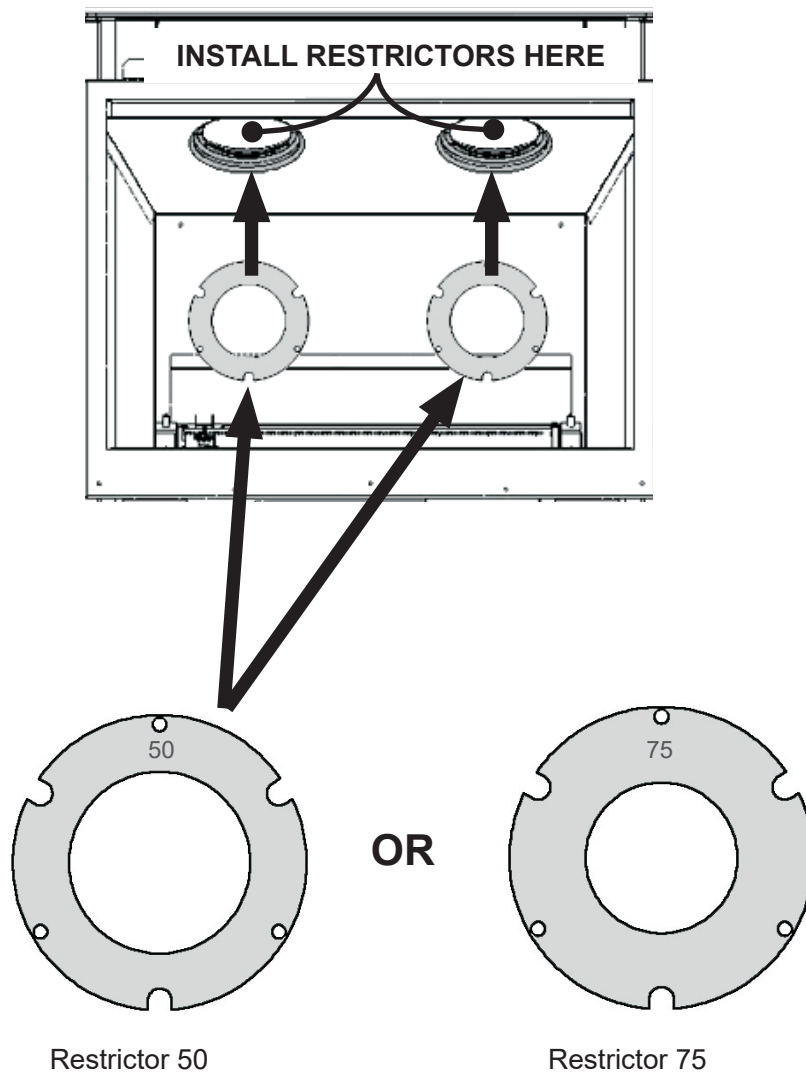
SOME INSTALLATIONS REQUIRE RESTRICTORS.

For improved flame picture and performance, this unit is supplied with two different sets of vent restrictors. The level of restriction required depends on the vertical rise in the venting system and, to a lesser degree, the horizontal run and number of elbows. The amount of restriction is based on laboratory tests. The ideal restrictor position may vary slightly, especially when the vent pipe length is near the limits of the acceptable configurations for each type of restrictors.

The chart on the previous page shows the vent restrictor required relative to the length of the vent pipe. Restrictors are not required for co-linear applications.

To install restrictors:

1. Remove every second screw from the exhaust ports in the top of the firebox.
2. Install the restrictors with the removed screws.



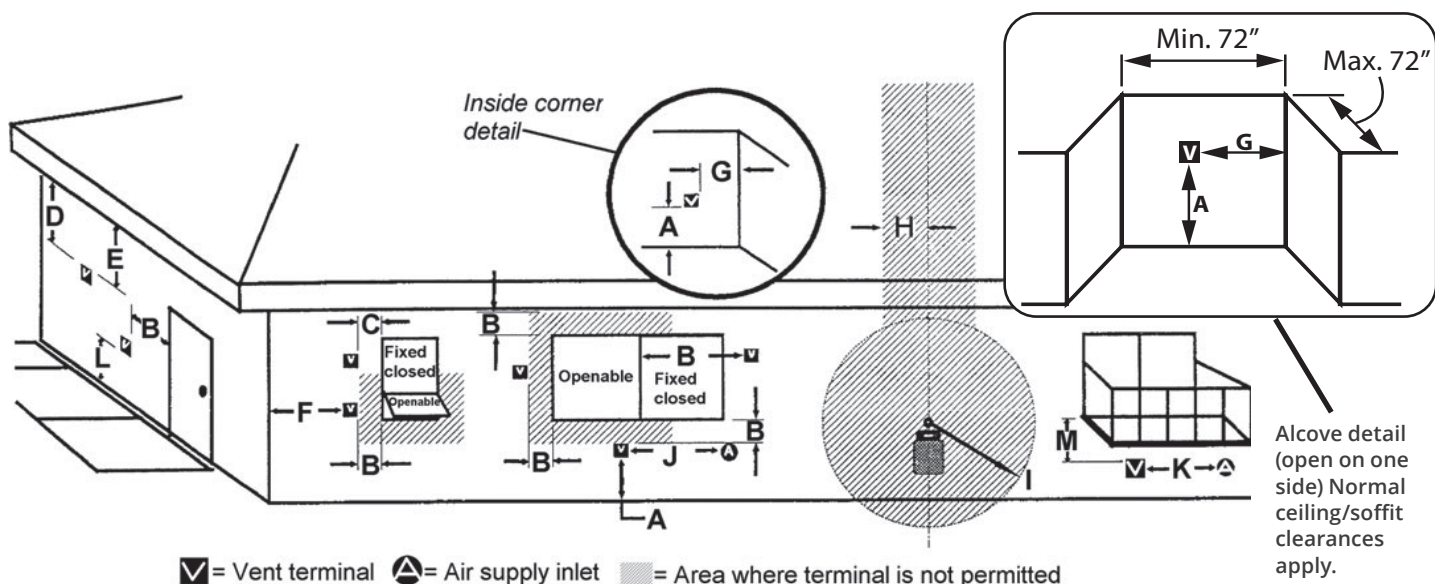
Venting

Horizontal Vent Termination Location

- The vent terminal must be located on an outside wall or through the roof.
- This direct vent appliance is designed to operate when an undisturbed airflow hits the outside vent terminal from any direction.
- The minimum clearances from this terminal that must be maintained when located on an outside wall are shown in figure below. Any reduction in these clearances could result in a disruption of the

airflow or a safety hazard. Local codes or regulations may require greater clearances.

- The vent terminal must not be recessed into a wall or siding.
- The vent terminal should be positioned where any snowdrifts will not cover it.
- Sidewall vent terminations require a terminal guard such as 658TG or 845TG when accessible—within 7' of ground.



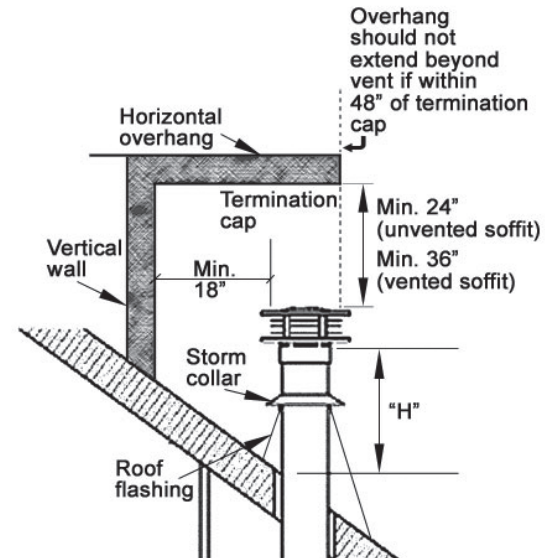
KEY	VENT TERMINAL LOCATIONS - MINIMUM DISTANCES	MINIMUM CLEARANCE	
		Inches	Cm
A	Clearance above grade, verandah, porch, deck or balcony	12	30
B	Clearance to window or door that may be opened	12	30
C	Clearance to permanently closed window (recommended to prevent condensation on window)	12	30
D	Vertical clearance to ventilated soffit located above the terminal within a horizontal distance of 2 feet (60 cm) from the center-line of the terminal	18	46
E	Clearance to unventilated soffit	12	30
F	Clearance to outside corner (measured from the center of vent)	12	30
G	Clearance to inside corner (measured from the center of vent)	12	30
H	Horizontal clearance to center-line of meter/regulator assembly located within 15 feet (4.6 m) below the terminal	36	90
I	Clearance to service regulator vent outlet	36	90
J	Clearance to non-mechanical air supply inlet to the building or the combustion air inlet to any other appliance	12	30
K	Clearance to a mechanical air supply inlet	72	180
L	Clearance above paved sidewalk or a paved driveway located on public property Note: A vent must not terminate directly above a sidewalk or paved driveway, which is located between two single-family dwellings and serves both dwellings. THIS DOES NOT APPLY to direct vent, non-condensing appliances in the Province of Ontario.	84	210
M	Clearance under a verandah, porch, deck or balcony <i>Only permitted if veranda, porch, deck or balcony is fully open on a minimum of 2 sides beneath the floor</i>	12	30

Note: Local codes and regulations may require different clearances.

Venting

Vertical Vent Termination

Roof Pitch	Minimum "H" (feet)
Flat to 7/12	1'
Over 7/12 to 8/12	1.5'
Over 8/12 to 9/12	2'
Over 9/12 to 10/12	2.5'
Over 10/12 to 11/12	3.25'
Over 11/12 to 12/12	4'
Over 12/12 to 14/12	5'



Installation Planning

Only qualified licensed or trained personnel should install this appliance.

Fan (Blower)

Allow for and install electrical wiring if there will be a fan (blower) to install. Ask the homeowner if you are not sure.

Venting Configuration

This unit is supplied with a **top outlet** and is field convertible to a **rear outlet**. Plan routing of vent taking

into consideration stove and vent clearances, allowable vent terminal locations **BEFORE** cutting a hole in the roof or wall. Avoid penetrating the wall/roof at structural members.

Gas Line Routing

Consider visibility of shut-off valve or step-down regulators, etc. when planning gas line routing.

Installation

Unpack Appliance

The Madrona engine is supplied separately from the stove casings. The Traditional stove—MFCS01 (black) or MFCS02 (majolica brown)—and the Modern stove MFCS05 are each supplied in two cartons. You must have in hand the stove casing before starting the assembly of the appliance.

Unpack the carton carefully. **We strongly recommend that you leave the engine sitting on the packaging base in which it came to avoid damaging the control valve, wires and pipes already attached to the engine until it is ready to install in the stove casing.**

Some parts are packed in the cardboard sleeve around the engine; make sure you take them all out of the packaging. Make sure you have all the components including the stove casing components before you start the installation.

CAUTION

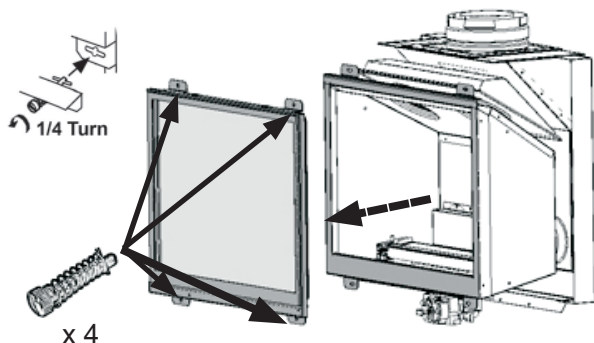
LEAVE THE ENGINE ON ITS PACKAGING BASE to avoid damage to the control valve, wires and pipes until ready to install into stove casing.

Installation

Remove Window

It is easier to remove the window and all the items packed inside of the firebox to make the engine lighter for installation.

1. Release the spring bolts at top and bottom of the window by pushing and turning 1/4 turn.



2. Lift the window and set it aside in a safe place to avoid damage.
3. Remove the log pack from inside the firebox and set it aside with the window. Please handle the logs carefully as they are made of fragile material and can easily be damaged.

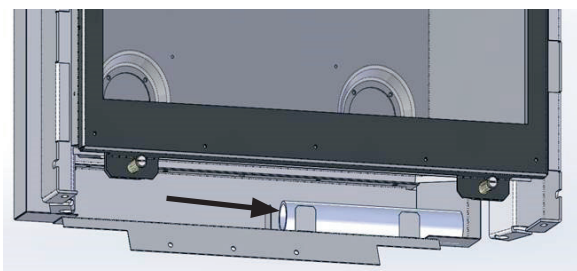
Unpack Casing

1. Rough-in the gas line and electrical wiring for a fan (if any).
2. Decide where the stove should be positioned to avoid moving it once all the casing is put together.
3. Unpack the casing and follow the instructions supplied with each model (MFCS01, MFCS02 or MFCS05).

Reposition Lighting Instructions Plate

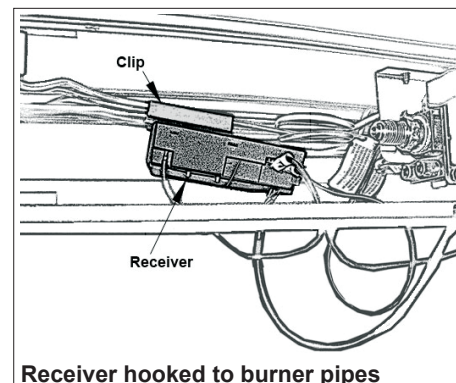
Traditional arched or square stoves MFCS01, MFCS02: The lighting instructions plate is attached to the back of the engine and may have slid out of its slot. Reposition the plate if this is the case.

Madrona Modern stoves MFCS05: The lighting instructions is rolled and tucked in at the rear above the angled flange or fan (if installed). Reposition the plate if it has fallen out.



Unclip Remote Control Receiver

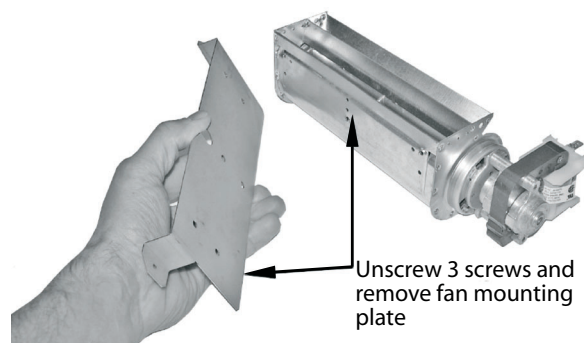
Under the engine, the receiver box is clipped to the burner pipes to facilitate transportation. Unclip the box and let it hang while you fit the gas pipe.



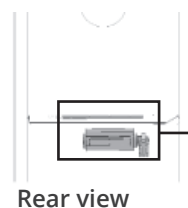
Install Optional Fan (if required)

If this installation requires the optional fan, it is easier to install it at this point.

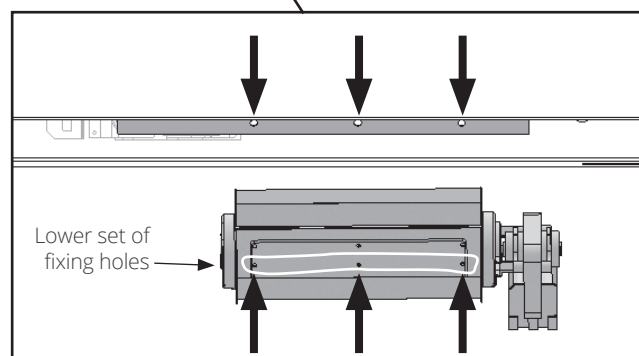
1. Remove the mounting plate from the fan and discard it.



2. Install the fan motor at the back of the heater. Using the lower set of fixing holes on the fan will ensure more space to handle the receiver in front of the fireplace.



See 555CFK—Circulating Fan Kit manual for complete installation details.



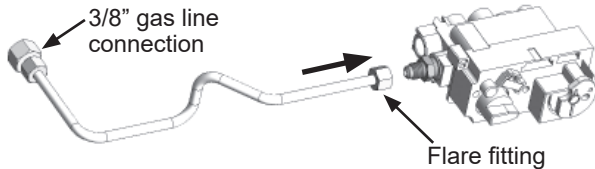
Installation

Install Gas Pipe & Connector

The gas pipe, connector, clamp and fixing screw are supplied with the engine.

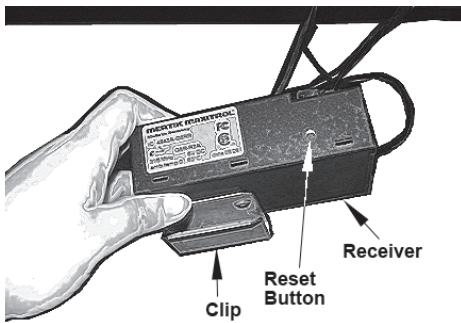
The support bracket for the gas pipe is supplied with the stove casing.

NOTE: The support bracket used on Madrona Traditional stove and the one used on Madrona Modern stove are different. Refer to stove casing installation manual for complete details.

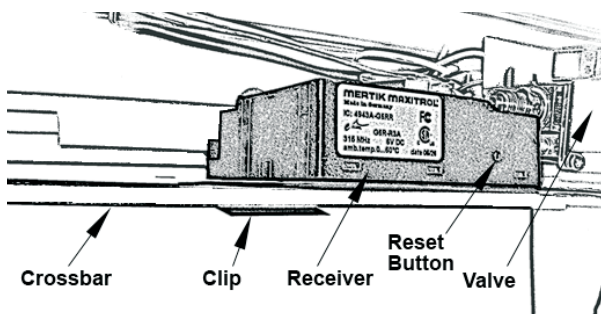


Install Receiver into Position

Once the gas pipe is fitted, clip the receiver on top of the casting crossbar on the base, to the left hand side of the valve. Make sure the receiver box is oriented with its wires towards the back and its Reset button at the front.



Receiver & clip



Receiver clipped to crossbar in final position

Convert Vent Outlet (if necessary)

Rear Vent

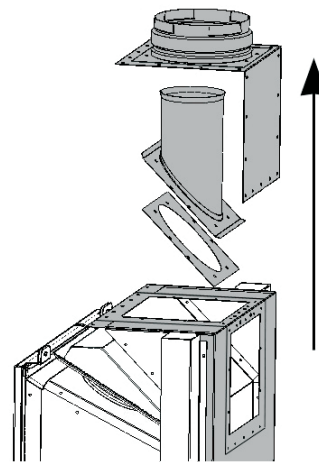
If the appliance is to be vented from the **top**, it is ready for vent installation once the engine is on the casting base.

If the appliance is to be vented from the **rear**, it must be converted. Follow these simple steps:

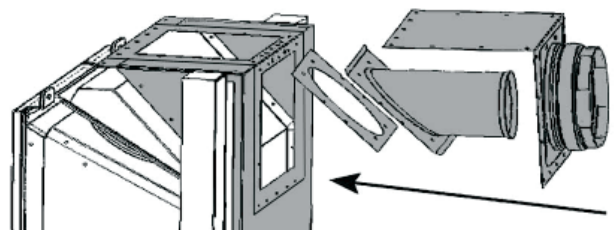
3. Remove the following parts in this order:
 - a) Dura-Vent collar, gasket and intake plate from the top of the appliance (22 screws of the intake plate and 2 rear screws of the collar);
 - b) Exhaust collar (8 screws).

NOTE: The gaskets are glued to the engine or the intake plate; it is not necessary to separate them from the parts they are attached to.

However, if they need to be manipulated, **BE CAREFUL not to damage them because their material is fragile.**



4. Re-install through the vent opening at the rear of the firebox in the reverse order in which you took the parts out.



Co-linear (Rear Outlet ONLY)

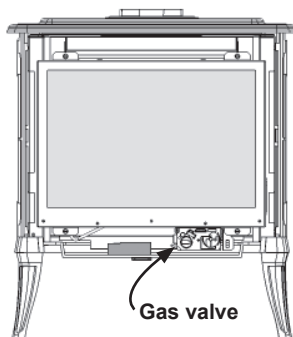
For conversion of rear outlet collar to co-linear (two 3-inch pipes) rear venting, refer to instructions packaged with the 556CLA Co-linear Adapter.

NOTE: Co-linear venting may only be installed into solid-fuel burning fireplaces and chimneys.

Installation

Connect Gas Supply

The gas supply inlet connection is a 3/8 inch NPT female connector. If a circulating fan or isolating valve is to be installed, adjust the routing of the gas line to suit.



Use only new black iron or steel pipes, CSST, or copper tubing if acceptable—check local codes. *Note that in USA, copper tubing must be internally tinned for protection against sulfur compounds.*

Unions in gas lines should be of ground joint type.

The gas supply line must be sized and installed to provide a supply of gas sufficient to meet the maximum demand of the appliance without undue loss of pressure.

Sealant used must be resistant to the action of all gas constituents including LP gas. Sealant should be applied lightly to male threads to ensure excess sealant does not enter gas lines.

The supply line should include a **manual shut-off valve** and **union** to allow the appliance to be disconnected for servicing.

Pressure test the supply line for leaks.

- The appliance and its individual shut-off valve must be disconnected from the gas supply piping system during any pressure testing of that system at test pressures in excess of 1/2 psig (3.5 kPa).
- The appliance must be isolated from the gas supply piping system by closing its individual manual shut-off valve during any pressure testing of the gas supply piping system at test pressures equal to or less than 1/2 psig (3.5 kPa).
- Failure to either disconnect or isolate the appliance during pressure testing may result in regulator or valve damages and void the warranty. Consult your dealer in case of damages.

The minimum supply pressure is given in the *Specifications* section of this manual—page 19.

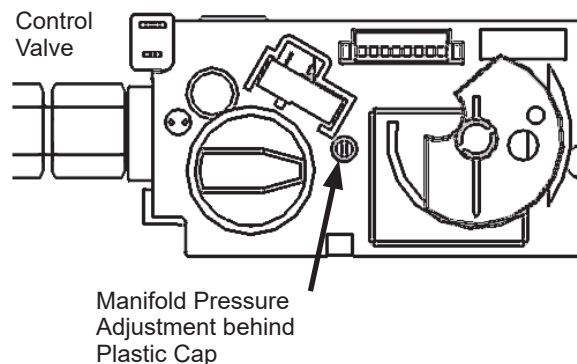
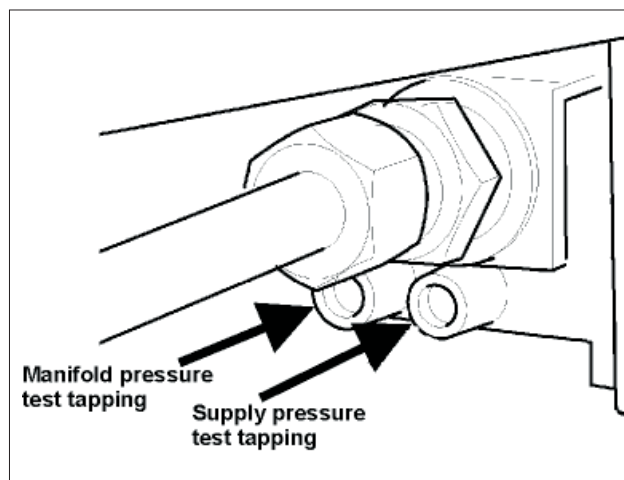
All piping and connections must be tested for leaks after installation or servicing. All leaks must be corrected immediately.

When testing for leaks:

- Make sure that the appliance is turned off.
- Open the manual shut-off valve.
- Test for leaks by applying a liquid detergent or soap solution to all joints. Bubbles forming indicate a gas leak.

**Never use an open flame to check for leaks.
Correct any leak detected immediately.**

The pressure test tapping locations are shown in the figure below. A built-in non-adjustable regulator controls the burner manifold pressure. The correct pressure range is shown in the table in *Specifications* section of this manual on page 19. The pressure check should be made with the burner alight and at its highest setting. See *Lighting Instructions* section on page 13 for full operating details.



Installation

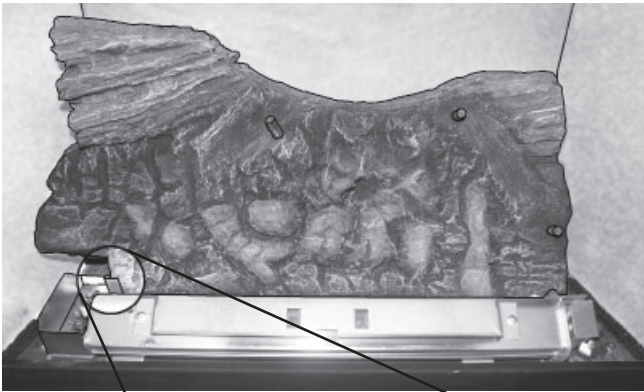
Install Traditional Log Set MF28LSK

Material required

- Traditional Log Set containing:
 - 6 logs
 - Gloves, if desired

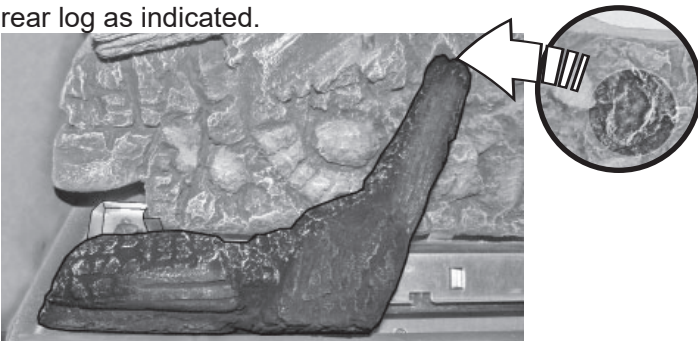
Unpack the ceramic logs very carefully to avoid damaging their fragile material. Install the logs as shown below. **Please note that the position of the logs is critical to insure the good performance of the appliance.**

1. Place the rear log on the sheet metal support. Pull it forward until the notch in the underside of the log sits against the front edge of the sheet metal support. Slide the log towards the left hand side until the notch in the log touches the right angled return edge of the pilot shield as indicated.

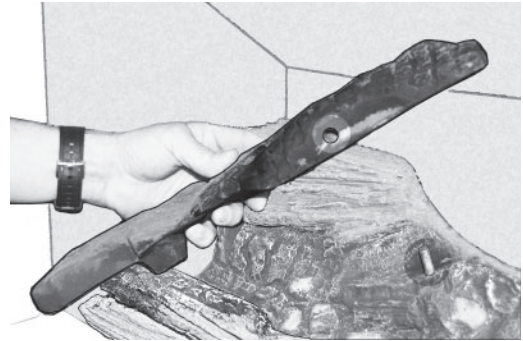


Rear log pushed to the left abuts the pilot shield

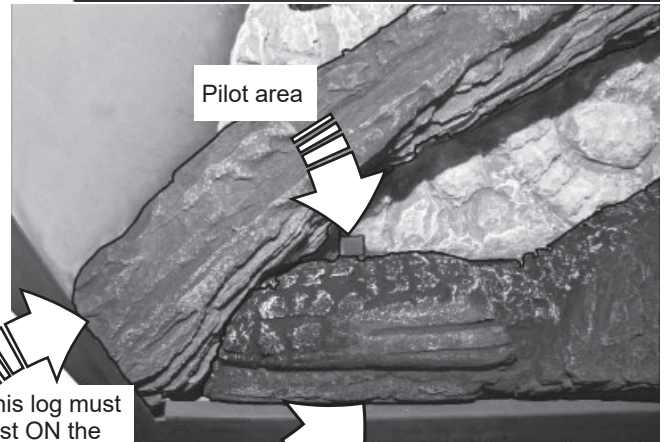
2. Place the front left log on the burner. Slide it towards the left until its narrow end rests in the notch of the rear log as indicated.



3. Place the top left log on the pin of the rear log. The bottom of the log rests on the left side end of the front left log just installed.



Note: Make sure the lower end of the top log rests on the front log as indicated and does not fall below in the firebox.



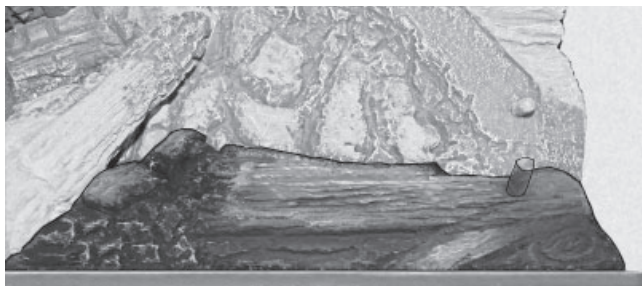
Pilot area

This log must rest ON the front log

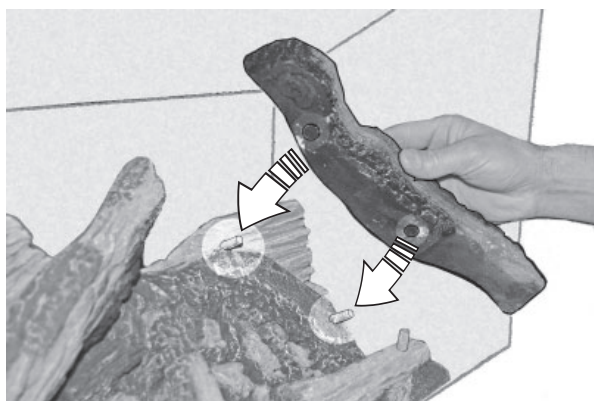
Front log

Installation

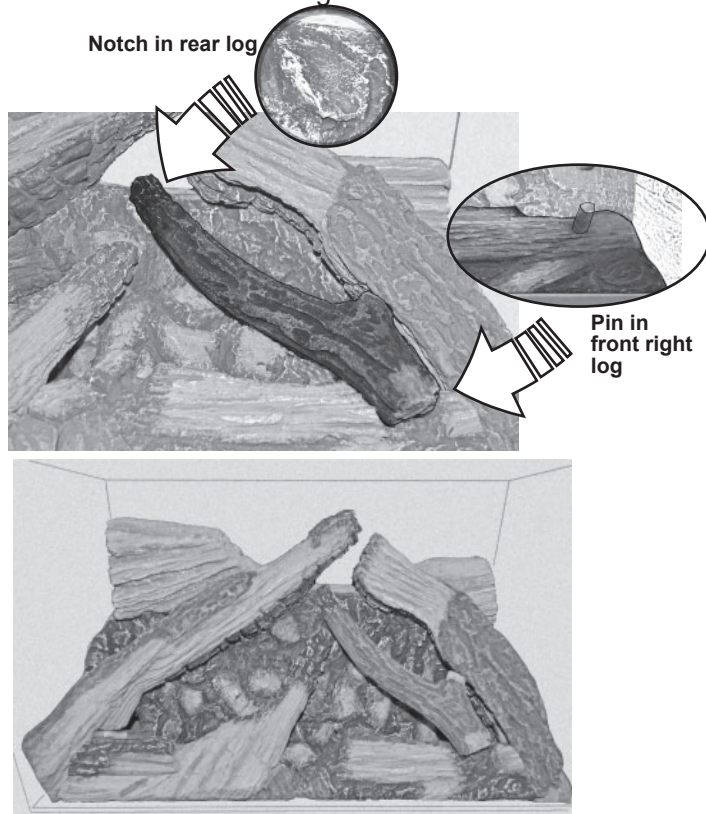
4. Place the front right log on the burner and slide it to the left against the front left log.



5. Locate the top right log on the two pins on the right side of the rear log. Ensure a tight fit against the flat area around the pins in the rear log.



6. Place the lower end of the center right log onto the pin on the front right log. Rest the narrow end in the notch into the rear log.



Installation

Install Driftwood Set MF28DWK

Material required

- Driftwood Kit containing:
 - 1 ceramic platform
 - 5 logs
 - 6 pebbles
- Gloves, if desired

Installation

Unpack the kit carefully to avoid damaging the fragile pieces. Install the kit as shown below. **Please note that the position of the logs is critical to insure the good performance of the appliance.**

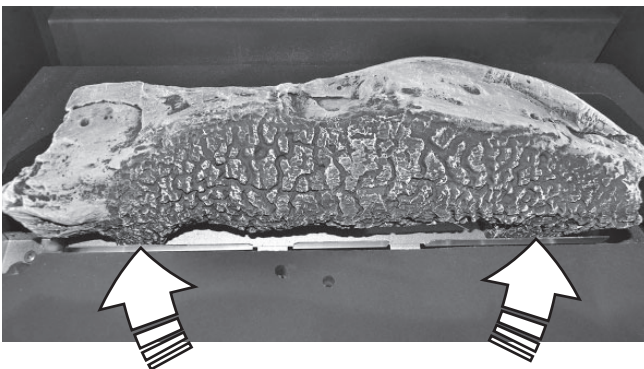
Platform

Insert the platform sideways into the firebox and place it on top of the burner.

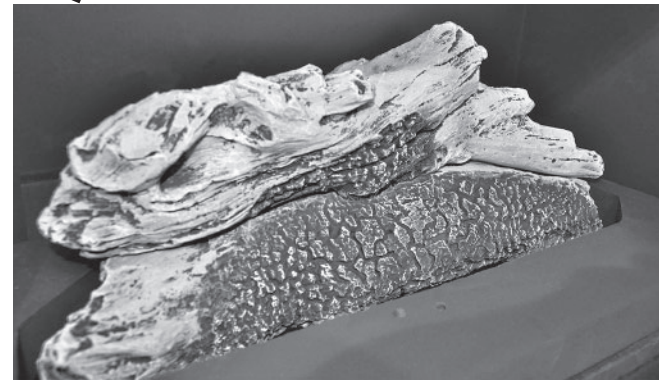
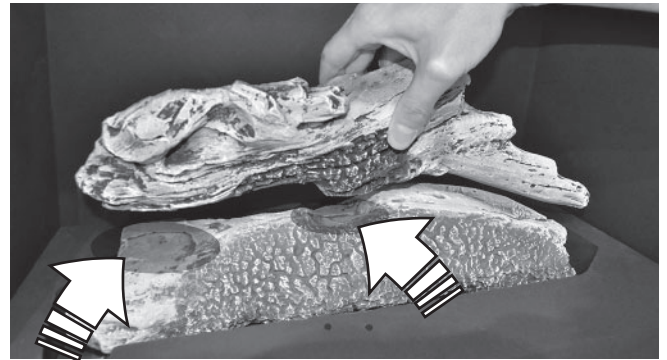


Logs

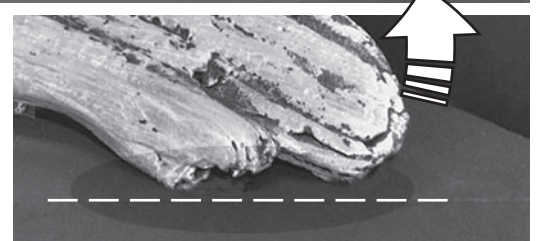
1. Identify the base log and place it in the cavity of the ceramic platform. The protruding parts of the log in the front should rest against the lip of the sheet metal log support behind the burner.



2. Identify the rear log and place it on top of the base log locating it into the notches on top of the log. Pull the log forward so it is locked in position.



3. Identify the right side cross log, the longest, and place it across the rear log. The narrow end of the log rests in a notch of the rear log. The wide end of the log lays flat on the platform, flush with the edge as indicated.

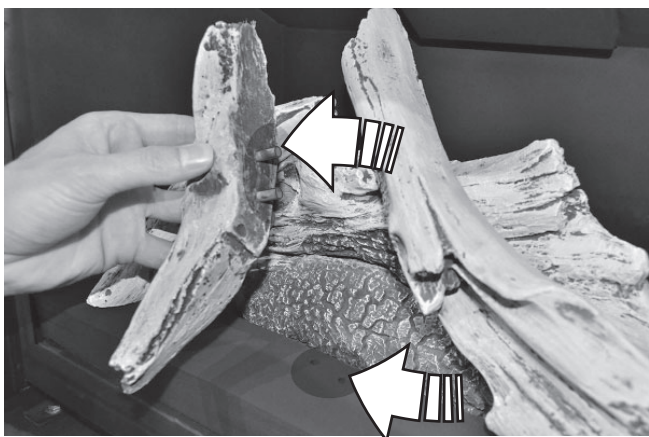


Installation

4. Identify the left side cross log which has one pin at one end. Insert the pin in the hole at the front left of the platform and rests the top part of the log into the notch of the rear log as indicated.



5. Place the front log inserting its two pins into the two holes at the front of the platform. The ends of the log should be oriented towards the front as the log should not hang over the inside edge of the platform.



Pebbles

Six pebbles are supplied as decorative elements. If used, they should be placed on the platform only. We suggest to place the larger ones to cover the inside edge of the platform and place others randomly. Not all of them have to be used.



Installation

Install Splitwood Kit MF28SWK

Material required

- Splitwood Kit containing:
 - 1 ceramic platform
 - 5 logs
 - 1 bag of embers
- Gloves, if desired

Installation

Unpack the kit carefully to avoid damaging the fragile pieces. Install the kit as shown below. **Please note that the position of the logs is critical to insure the good performance of the appliance.**

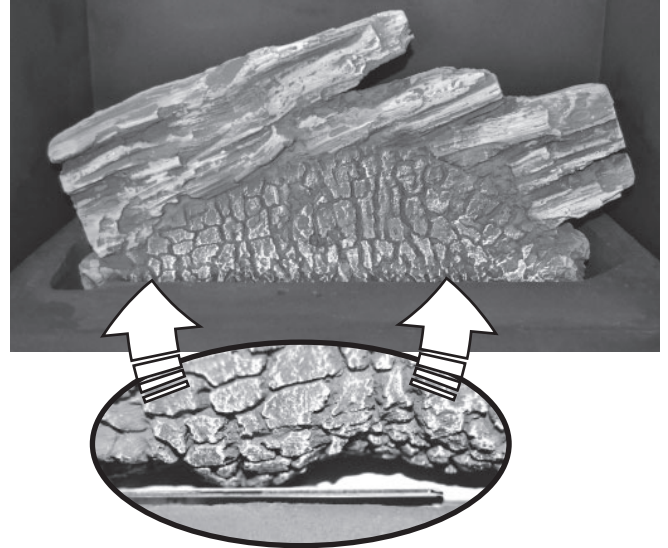
Platform

Insert the platform sideways into the firebox and place it on top of the burner.

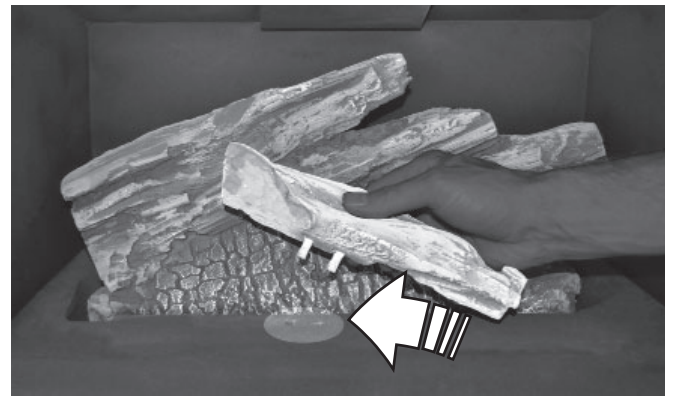


Logs

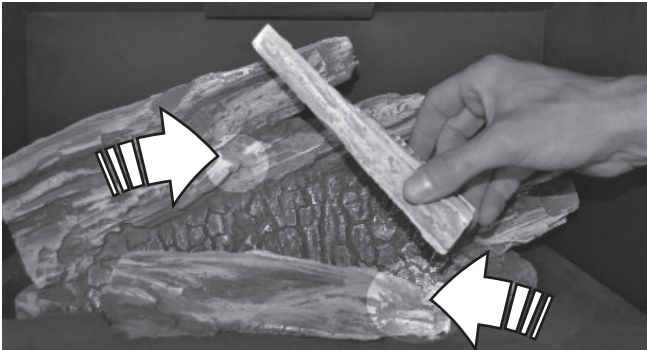
1. Identify the base log and place it in the cavity of the ceramic platform. The front of the log should rest against the lip of the sheet metal support behind the burner.



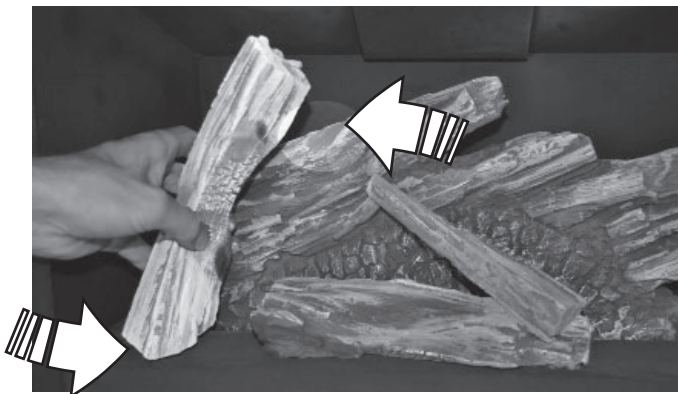
2. Place the center log inserting its two pins in the holes at the front of the platform.



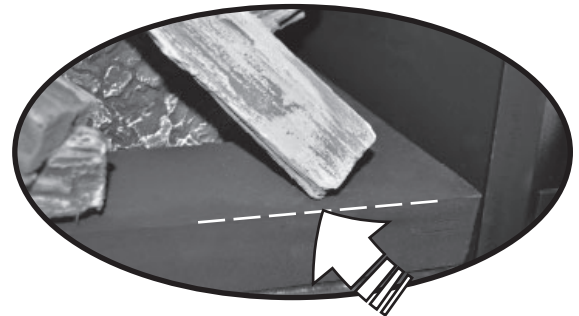
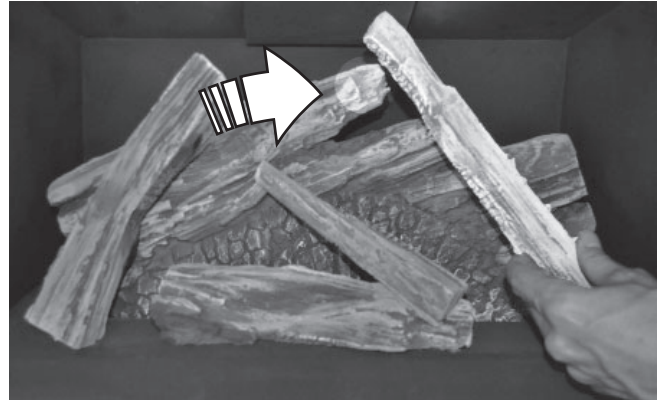
3. Install the center cross log placing its larger end in the notch of the center log and the notch of the base log.



4. Place the left-hand cross log inserting its pin in the hole in the platform and resting its other end in the notch of the base log.



5. Place the right-hand cross log resting it wider end on the edge of the platform and its narrower end in the notch on the base log. Ensure the bottom of the log does not exceed the edge of the platform.



6. Add some embers on the platform around the logs. Use the embers to hide the internal edge of the platform.

DO NOT put any ember into the pilot area!



Refit and Check Window

⚠ DANGER

The window unit must be correctly installed, fastened and sealed after servicing or serious bodily injury and/or damage to the appliance may result.

To ensure a safe operation:

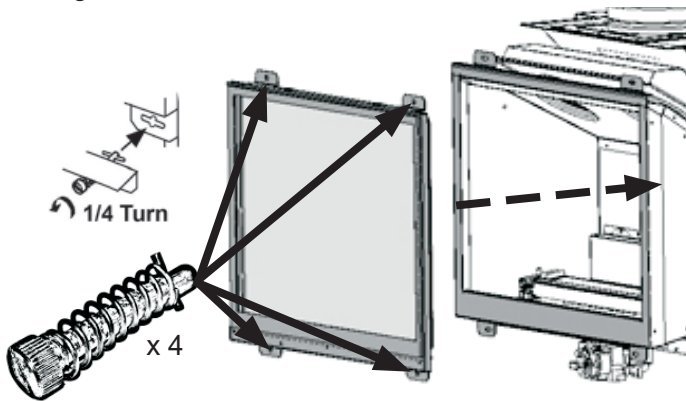
- Double-check that the window frame is correctly installed;
- Verify that the spring-loaded bolts are hooked properly to the window tabs then;
- Pull out the top, then bottom of the window and release it to insure the springs return it;
- Ensure the window is sealed before operation.

⚠ WARNING

Failure to install the window correctly can leak carbon monoxide, affect the performance of the fireplace, damage components, cause overheating resulting in dangerous conditions. Damage caused by incorrect window installation is not covered by the Valor warranty.

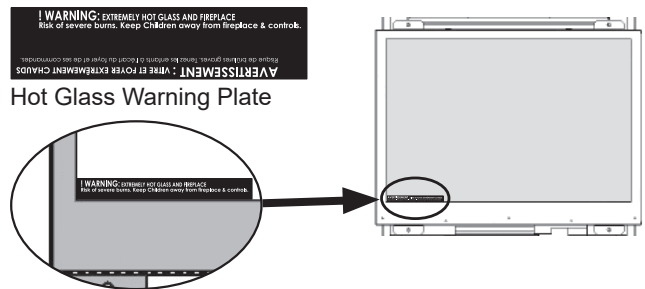
To refit the window:

1. Place it on the firebox frame and hold it in place while pushing and turning its fastening studs 90 degrees.



2. Pull out the top and bottom of the window and release it to insure the springs return it.

3. Apply firm hand pressure around the window frame to ensure the window is sealed tight against the firebox.
4. If the Hot Glass Warning plate has been removed from the front lower corner of the window, reinstall it by sliding it between the glass and the frame as indicated.



Installation

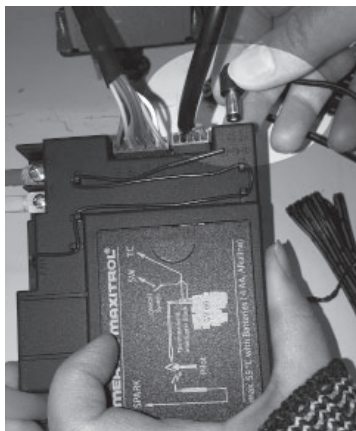
Install Battery Holder

The batteries that power the receiver need to be installed and placed prior to synchronization and use.

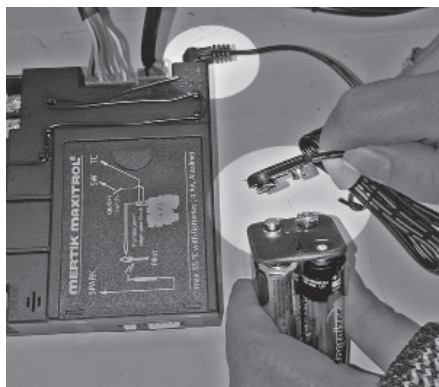
1. Take the receiver out from under the firebox.
2. The battery holder and cable are supplied with the appliance. Insert 4 x 1.5 V high quality alkaline batteries in the battery holder and 1 9V battery in the remote handset.



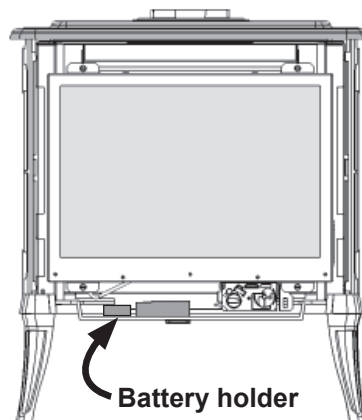
3. Connect the cable to the receiver.



4. Connect the other end of the cable to the battery holder.



5. Place the receiver and battery holder as shown under the firebox, to the left of the control valve (placement may vary with installed options).



6. Use a heat resistant tie to gather any extra cable between the receiver and the holder.

CAUTION

DO NOT let the cable touch the burner plate above, it will melt during operation.

Installation

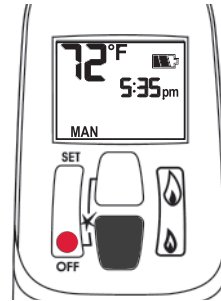
Synchronize Remote Control

The receiver and the handset of the remote control system must be initially synchronized before the first use.

1. With a thin object, press and hold the receiver's reset button until you hear one short and one long beep. Release the button after the second beep.



2. Within the subsequent 20 seconds, press the small flame button (♂) on the remote handset until you hear two short beeps confirming the synchronization is set.



This is a one time setting only and is not required when changing the batteries in the remote handset. The remote control system is now ready to use.

Check Operation

Turn the fireplace flame up and down using the remote control to confirm that the full range of inputs is achieved—see the remote control operation instructions starting on page 8.

Adjust Aeration (if necessary)

Light the fire and allow the unit to warm up for 10–15 minutes to evaluate the flame picture. The burner is equipped with an adjustable shutter to control primary aeration. See the figures below. The shutter is factory-set to an aeration gap which will give optimum performance for the vast majority of installations.

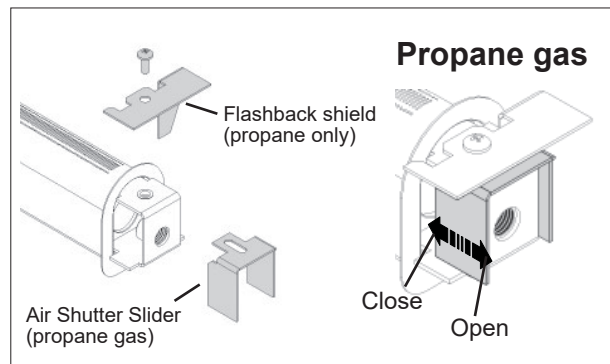
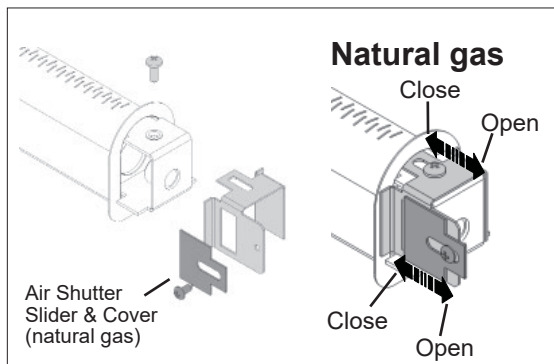
Depending of fuel bed used, altitude and other considerations, the flame picture may be improved by adjusting the aeration. The need for adjustment should be determined only by operating the appliance with the fuel bed and window installed and evaluating the flame picture after a 15-minute warm-up.

Increasing aeration will cause the flames to appear more transparent and blue making the ceramic logs glow more.

Decreasing aeration will cause the flames to appear more yellow or orange making the ceramic logs glow less.

Too little aeration may result in black carbon forming and dropping into the firebox.

Air Shutter



Install Front and Barrier Screen

When installing the front of the stove make sure you install as well the barrier screen provided with the cast stove body.

Show the customer how to remove the barrier screen and how to access the controls.

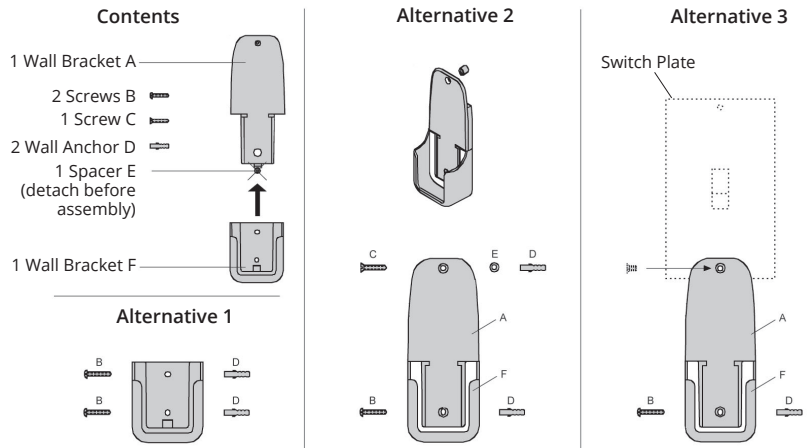
Follow the instructions provided with the stove cast body and leave those instructions behind for the customer's further reference.

Install Handset Wall Holder

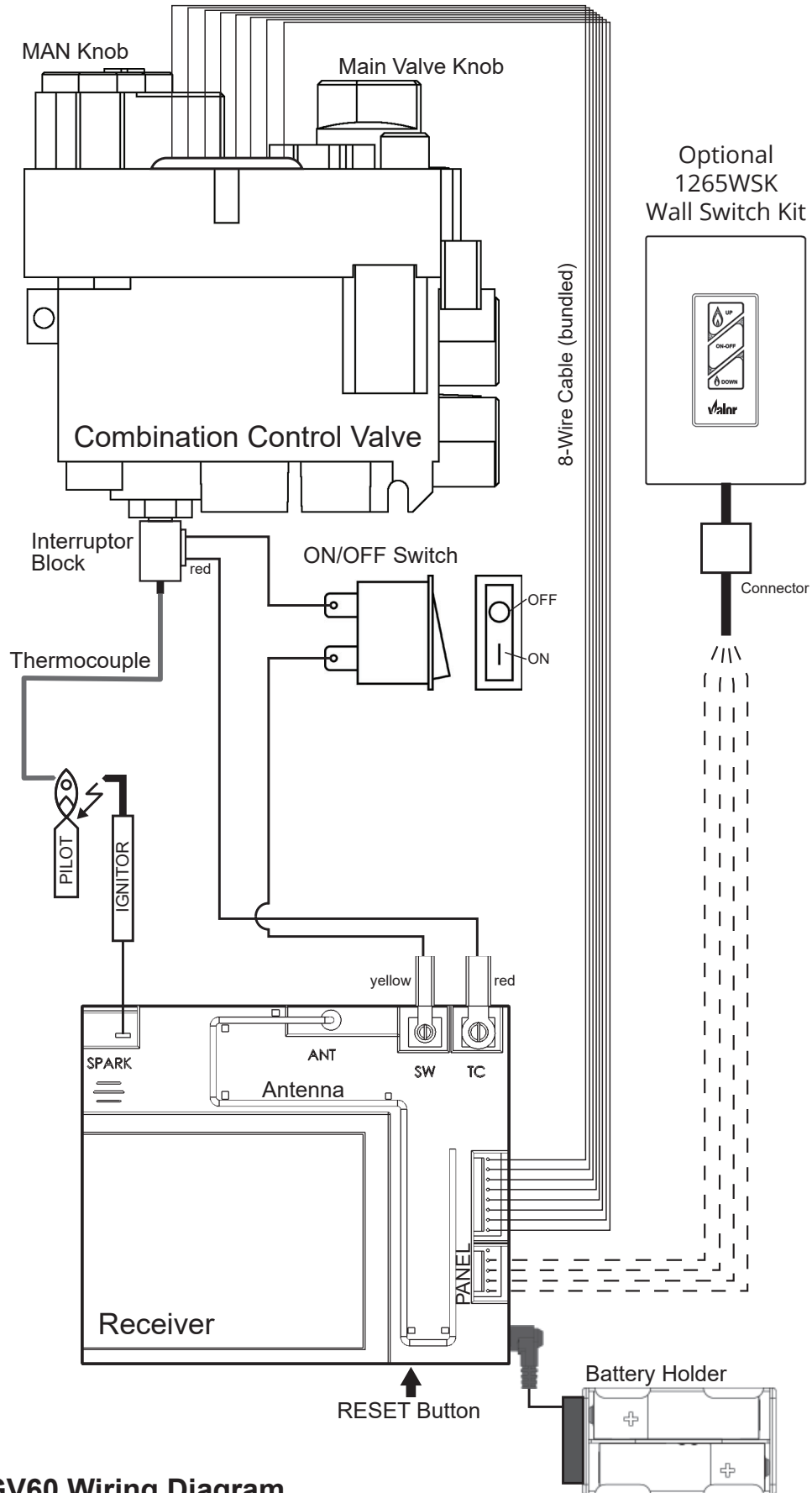
The remote ontrol kit for this fireplace comes complete with a wall-mounted holder. This holder is not required in all installations but is provided as an optional feature for those customers who wish to mount the remote handset to the wall. To install the holder to the wall, find a convenient location and use the hardware provided with the kit.

See the diagram for required hardware and configurations. Note that the holder can be installed at the base of a light switch plate.

IMPORTANT: The location of the remote control handset is important to assure proper temperature regulation. To obtain a constant temperature, we recommend that the handset should be between 3 and 15 feet away from the appliance **but not directly above it**. We also advise that the handset should be located away from any other heat source and not in direct sunlight as this may affect the temperature sensor located in the remote handset.





Wiring Diagram



GV60 Wiring Diagram

Approved Venting Components

**QUALIFIED
INSTALLER**

Approved Direct Vent Suppliers for Valor Models 530⁶, 534, 650 and MF28⁷										
 		Venting Parts Code / availability by Manufacturer								
		DURA-VENT	SELKIRK	ICC EXCEL DIRECT	SECURE VENT	RLH INDUSTRIES	AMERIVENT	MILES INDUSTRIES	BDM	
Venting Parts Description										
Termination Caps	Horizontal	Standard Co-axial	46DVA-HC	4DT-HC	TM-4HT	—	—	4DHC round	658DVK2	940160
		Deluxe Co-axial	—	—	TM-4RHT	—	—	4DHCS square	—	940160
		High Wind Co-axial	—	—	—	SV4CHC	—	—	—	—
	Vertical	Standard Co-axial	46DVA-VC	4DT-VT	—	—	HSDV4658-1313	4DVC	—	940264
			—	—	—	4DH-1313		940364		
			—	—	—	—		940206LP		
		High Wind Co-axial	46DVA-VCH	—	TM-4SVT	SV4CGV	—	—	—	—
		Extended Co-axial	46DVA-VCE	—	—	—	—	—	—	—
		Co-linear	46DVA-CL33	—	TM-IVT	3PDVCV	HS-C33U-99	HCL-99-33	559CLT	940033B
			46DVA-CL33H					HCL-913-33		—
46DVA-33P	HCL-1313-33		720SWK ⁶					940033HWS 940033RD		
Snorkel, 14" Rise	46DVA-SNK14	4DT-ST14	TM-4ST14	—	—	—	4D14S	—	94040614	
Snorkel, 36" Rise	46DVA-SNK36	4DT-ST36	TM-4ST36	—	—	—	4D36S	—	94040636	
Vent Adapters / Couplers	Universal Adapter 3" Flex Coupler	2150	—	TM-CFAA3	—	—	—	—	95090390	
	Valor Adapter	817VAK	—	TM-4AA2	—	—	4DSC-V	—	—	
	Co-linear Flex Connector	46DVA-ADF	—	—	—	—	—	—	—	
	Co-axial-to-Co-linear Adapter	46DVA-GCL 46DVA-CLAA	—	TM-4CAA	—	—	4DCAB33	556CLA	940106433	
	Co-linear-to-Co-axial Adapter	46DVA-GK 46DVA-CLTA	—	TM-4CTA	—	—	4DCAT33	—	—	
	DV to B-Vent Adapter	—	—	—	—	—	—	DVA5BV ⁷	—	
Aluminum Flexible Liner	3" or 4" diameter	NOTE: 2-ply liner approved to CAN/ULC S635 suitable for venting gas appliances. As manufactured by Z-Flex, Flexmasters or others.								
		2280 Series	AF3-35L	TM-ALK33	—	—	—	—	—	952703
Adjustable Pipe Length and Pipe Extensions 4" x 6-5/8"	Galvanized or Black	46DVA-08A 46DVA-08AB (3" to 7")	4DT-ADJ 4DT-ADJ(B)	—	—	—	—	4D7A or 4D7AB (3" to 5")	—	94610608 (4" to 8-1/2")
		46DVA-16A 46DVA-16AB (3" to 14-1/2")	—	TC-4DLS1 TC-4DLS1B	SV4LA SV4LBA	—	—	4D12A or 4D12AB (3" to 10")	—	94610616 (4" to 16")
	Galvanized or Black	46DVA-17TA 46DVA-17TAB (11" to 17")	—	TC-4DLS2 TC-4DLS2B (1-7/8" – 21")	SV4LA12 SV4LBA12	—	—	4D16A or 4D16AB (3" to 14")	—	—
		46DVA-24TA 46DVA-24TAB (17" to 24")	—	TC-4DLA30 TC-DLA30B (16.5" – 29")	SV4LA24 SV4LBA24	—	—	4D26A or 4D26AB (3" to 24")	—	—
	Co-axial Flex	46DVA-36FF 46DVA-60FF 46DVA-120FF	—	—	—	—	—	—	—	—
	DV 45° Elbows	Galvanized	46DVA-E45	—	TE-4DE45	—	—	—	4D45L	—
Black		46DVA-E45B	—	TE-4DE45B	SV4EBR45	—	—	4D45LB	—	94620645B
Galvanized Swivel		—	4DT-EL45	—	SV4E45	—	—	—	—	—
Black Swivel		—	4DT-EL45(B)	—	SV4EB45	—	—	—	—	—
DV 90° Elbows	Galvanized	46DVA-E90	—	TE-4DE90	—	—	—	4D90L	—	—
	Black	46DAV-E90B	—	TE-4DE90B	SV4EBR90	—	—	4D90LB	—	—
	Galvanized Swivel	—	4DT-EL90	—	SV4E90	—	—	—	—	94620690
	Black Swivel	—	4DT-EL90(B)	—	SV4EB90	—	—	—	—	94620690B

Approved Venting Components

Venting Parts Description			Venting Parts Code / availability by Manufacturer							
			DURA-VENT	SELKIRK	ICC EXCEL DIRECT	SECURE VENT	RLH INDUSTRIES	AMERIVENT	MILES INDUSTRIES	BDM
Pipes 4" x 6 5/8" (ID x OD)	6" long	Galvanized	46DVA-06	4DT-06	TC-4DL6	SV4L6	—	—	—	94610606
		Black	46DVA-06B	4DT-06(B)	TC-4DL6B	SV4LB6	—	—	—	90410606B
	7" long	Galvanized	—	—	—	—	—	4D7	—	—
		Black	—	—	—	—	—	4D7B	—	—
	9" long	Galvanized	46DVA-09	4DT-09	TC-4DL9	—	—	—	—	94610609
		Black	46DVA-09B	4DT-09(B)	TC-4DL9B	—	—	—	—	94610609B
	12" long	Galvanized	46DVA-12	4DT-12	TC-4DL1	SV4L12	—	4D12	—	94610612
		Black	46DVA-12B	4DT-12(B)	TC-4DL1B	SV4LB12	—	4D12B	—	94610612B
	18" long	Galvanized	46DVA-18	4DT-18	—	—	—	—	—	94610618
		Black	46DVA-18B	4DT-18(B)	—	—	—	—	—	94610618B
	24" long	Galvanized	46DVA-24	4DT-24	TC-4DL2	SV4L24	—	4D2	—	94610624
		Black	46DVA-24B	4DT-24(B)	TC-4DL2B	SV4LB24	—	4D2B	—	94610624B
	36" long	Galvanized	46DVA-36	4DT-36	TC-4DL3	SV4L36	—	4D3	—	94610636
		Black	46DVA-36B	4DT-36(B)	TC-4DL3B	SV4LB36	—	4D3B	—	94610636B
	48" long	Galvanized	46DVA-48	4DT-48	TC-4DL4	SV4L48	—	4D4	—	94610648
		Black	46DVA-48B	4DT-48(B)	TC-4DL4B	SV4LB48	—	4D4B	—	94610648B
Flashings	Roof Flashing 0/12-6/12		46DVA-F6	4DT-AF6	TF-4FA	SV4FA	—	4DF (0/12-5/12)	—	949606012
	Roof Flashing 7/12-12/12		46DVA-F12	4DT-AF12	TF-4FB	SV4B	—	4DF12 (6/12-12/12)	—	949606712
	Flat Roof Flashing		46DVA-FF	—	TF-4F	SV4F	—	—	559FSK	949606001
	Masonry Flashing		—	—	TF-4MF	—	—	—	—	—
	New Siding Flashing		—	—	—	—	—	—	658NSFK	—
Various Venting System Parts	Wall Thimble		46DVA-WT	4DT-WT	TM-4WT	SV4RSM	—	4DWT	—	949064U
	Storm Collar		46DVA-SC	4DT-SC	TM-SC	SV4AC	—	4DSC	—	94960608
	Decorative Plate		46DVA-DC	4DT-CS	TM-4TR TM-4TP	SV4PF	—	4DFPB	—	94940612
	Cathedral Ceiling Support		46DVA-CS	4DT-CCS	TM-4SS	—	—	4DRSB	—	949506KT
	Ceiling Firestop / Floor Support		46DVA-FS	4DT-FS	TM-4RDS	SV4BF	—	4DFSP	—	94980612
					TM-CS	SV4SD				
	Attic Radiation Shield / Firestop		—	ADT-41S	TM-4AS	—	—	4DAIS12 (12")	—	94930620A
								4DAIS36 (36")		
	Wall Strap		46DVA-WS	4DTWS	TM-WS	—	—	4DWS	—	949164
	Vinyl Siding Standoff		46DVA-VSS	4DT-VS	TM-VSS	SV4VS	—	4DHVS	—	94800615S
Elbow Strap / Offset Support		46DVA-ES	4DT-OS	TM-OS	—	—	—	—	949264	
Terminal Guard		46DVA-WG	—	TM-HTS	—	—	—	845TG	940164SHRD	
				TM-RHTS				658TG		

- Notes:**
1. All listed above co-axial pipes and fittings require Valor 817VAK Adapter Kit to fit Valor's smooth collars (Valor adapter 4DSC-V by American Metal Products may also be used).
 2. Follow instructions supplied with each manufacturer's components.
 3. Unless otherwise specified, all the parts and assemblies from the above table are to be used with 4" x 6-5/8" pipes.
 4. Do not mix components from different vent manufacturers.
 5. Termination caps manufactured by RLH Industries or American Metal Products are from Homestyle Chimney Collection and can be ordered in one of the following finishes: a) aluminium; b) black powder coated; c) solid copper.
 6. The 720SWK Sidewall Co-Linear Kit can only be installed on the 530 models (CANNOT be used with coal effect models).
 7. The DVA5BV DV to BV adapter CANNOT be installed on the MF28 models.

State of Massachusetts Carbon Monoxide Detector/Vent Terminal Signage Requirements

For all side wall horizontally vented gas fueled equipment installed in every dwelling, building or structure used in whole or in part for residential purposes, including those owned or operated by the Commonwealth and where the side wall exhaust vent termination is less than seven (7) feet above finished grade in the area of the venting, including but not limited to decks and porches, the following requirements shall be satisfied:

1. INSTALLATION OF CARBON MONOXIDE DETECTORS. At the time of installation of the side wall horizontal vented gas fueled equipment, the installing plumber or gas fitter shall observe that a hard wired carbon monoxide detector with an alarm and battery back-up is installed on the floor level where the gas equipment is to be installed. In addition, the installing plumber or gas fitter shall observe that a battery operated or hard wired carbon monoxide detector with an alarm is installed on each additional level of the dwelling, building or structure served by the side wall horizontal vented gas fueled equipment. It shall be the responsibility of the property owner to secure the services of qualified licensed professionals for the installation of hard wired carbon monoxide detectors.

a. In the event that the side wall horizontally vented gas fueled equipment is installed in a crawl space or an attic, the hard wired carbon monoxide detector with alarm and battery back-up may be installed on the next adjacent floor level.

b. In the event that the requirements of this subdivision can not be met at the time of completion of installation, the owner shall have a period of thirty (30) days to comply with the above requirements; provided, however, that during said thirty (30) day period, a battery operated carbon monoxide detector with an alarm shall be installed.

2. APPROVED CARBON MONOXIDE DETECTORS. Each carbon monoxide detector as required in accordance with the above provisions shall comply with NFPA 720 and be ANSI/UL 2034 listed and IAS certified.

3. SIGNAGE. A metal or plastic identification plate shall be permanently mounted to the exterior of the

building at a minimum height of eight (8) feet above grade directly in line with the exhaust vent terminal for the horizontally vented gas fueled heating appliance or equipment. The sign shall read, in print size no less than one-half (1/2) inch in size, "GAS VENT DIRECTLY BELOW. KEEP CLEAR OF ALL OBSTRUCTIONS".

4. INSPECTION. The state or local gas inspector of the side wall horizontally vented gas fueled equipment shall not approve the installation unless, upon inspection, the inspector observes carbon monoxide detectors and signage installed in accordance with the provisions of 248 CMR 5.08(2)(a)1 through 4.

(b) EXEMPTIONS: The following equipment is exempt from 248 CMR 5.08(2)(a)1 through 4:

1. The equipment listed in Chapter 10 entitled "Equipment Not Required To Be Vented" in the most current edition of NFPA 54 as adopted by the Board; and
2. Product Approved side wall horizontally vented gas fueled equipment installed in a room or structure separate from the dwelling, building or structure used in whole or in part for residential purposes.

(c) MANUFACTURER REQUIREMENTS - GAS EQUIPMENT VENTING SYSTEM PROVIDED.

When the manufacturer of Product Approved side wall horizontally vented gas equipment provides a venting system design or venting system components with the equipment, the instructions provided by the manufacturer for installation of the equipment and the venting system shall include:

1. Detailed instructions for the installation of the venting system design or the venting system components; and
2. A complete parts list for the venting system design or venting system.

(d) MANUFACTURER REQUIREMENTS - GAS EQUIPMENT VENTING SYSTEM NOT PROVIDED.

When the manufacturer of a Product Approved side wall horizontally vented gas fueled equipment does not provide the parts for venting the flue gases, but identifies "special venting systems", the following

requirements shall be satisfied by the manufacturer:

1. The referenced "special venting system" instructions shall be included with the appliance or equipment installation instructions; and

2. The "special venting systems" shall be Product Approved by the Board, and the instructions for that system shall include a parts list and detailed installation instructions.

(e) A copy of all installation instructions for all Product Approved side wall horizontally vented gas fueled equipment, all venting instructions, all parts lists for venting instructions, and/or all venting design instructions shall remain with the appliance or equipment at the completion of the installation.

Warranty

If you have a problem with this unit, please contact your dealer or supplier immediately. Under no circumstances should you attempt to service the unit in any way by yourself. The warranties in paragraphs 1 and 2 are provided only to the initial user of this unit, are not transferable and are subject to the conditions and limitations in paragraphs 3, 4 and 5. Please review the conditions and limitations carefully and strictly follow their requirements.

1. Extended Warranty Coverage

For a period of up to ten (10) years, Miles Industries Ltd., (the "Company") or its appointed distributor will at its option pay the initial owner for the repair of, or will exchange the following parts or components which are found to be defective in material or workmanship under normal conditions of use and service:

Maximum Warranty Period		10 years
Part or Component	Defect Covered	
Exterior steel casing	Corrosion	✓
Glass	Loss of structural integrity	✓
Cast iron parts	Corrosion	✓
Firebox and heat exchanger	Corrosion (but not discoloration) causing loss of structural integrity	✓

2. Two-Year Parts Warranty

In addition, for two (2) years from the date of purchase, the Company, at its option, will repair or exchange all parts and components not listed above but that are found to have a bona fide defect in material or workmanship under normal conditions of use.

3. Conditions and Limitations

- The warranty registration card must be completed by the initial owner and returned to the company within 90 days. Alternatively, the warranty registration form may be filled out online at www.valorfireplaces.com
- Installation and maintenance must be performed by an authorized and trained dealer in accordance with the Company's installation instructions.
- This warranty is void where installation of the unit does not conform to all applicable codes including national and local gas appliance installation codes and building and fire codes.
- The owner must comply with all operating instructions.
- The Company is not responsible for the labor costs to remove defective parts or re-install repaired or replacement parts.
- The initial owner of the unit will be responsible for any shipping charges for replacement parts as well as travel time incurred by the dealer to perform the warranty work.

- This warranty applies to non-commercial use and service and is void if it is apparent that there is abuse, misuse, alteration, improper installation, accident or lack of maintenance to the unit.
- The warranty does not cover damage to the unit through:
 - Improper installation, operational or environmental conditions.
 - Inadequate ventilation in the area or competition for air from other household equipment or appliances.
 - Chemicals, dampness, condensation, or sulphur in the fuel supply lines which exceeds industry standards.
- This warranty does not cover glass, log breakage or damage to the unit while in transit.
- The Company does not allow anyone to extend, alter or modify this warranty and assumes no responsibility for direct, indirect or consequential damages caused by the unit. State or provincial laws where the initial user or user resides may provide specific rights extending this warranty and, if so, the Company's sole obligation under this warranty is to provide labor and/or materials in accordance with those laws.

4. Discharge of Liability

After two (2) years from the date of purchase, the Company may, at its option, fully discharge all obligations under this warranty by paying to the first owner the wholesale price of, or replacing, any defective parts.

5. No Other Warranty

All obligations to repair this unit are defined in this warranty. Some states or provinces may specifically mandate additional obligations on the part of manufacturers, but in the absence of such specific legislation, there is no other warranty or obligation expressed or implied.

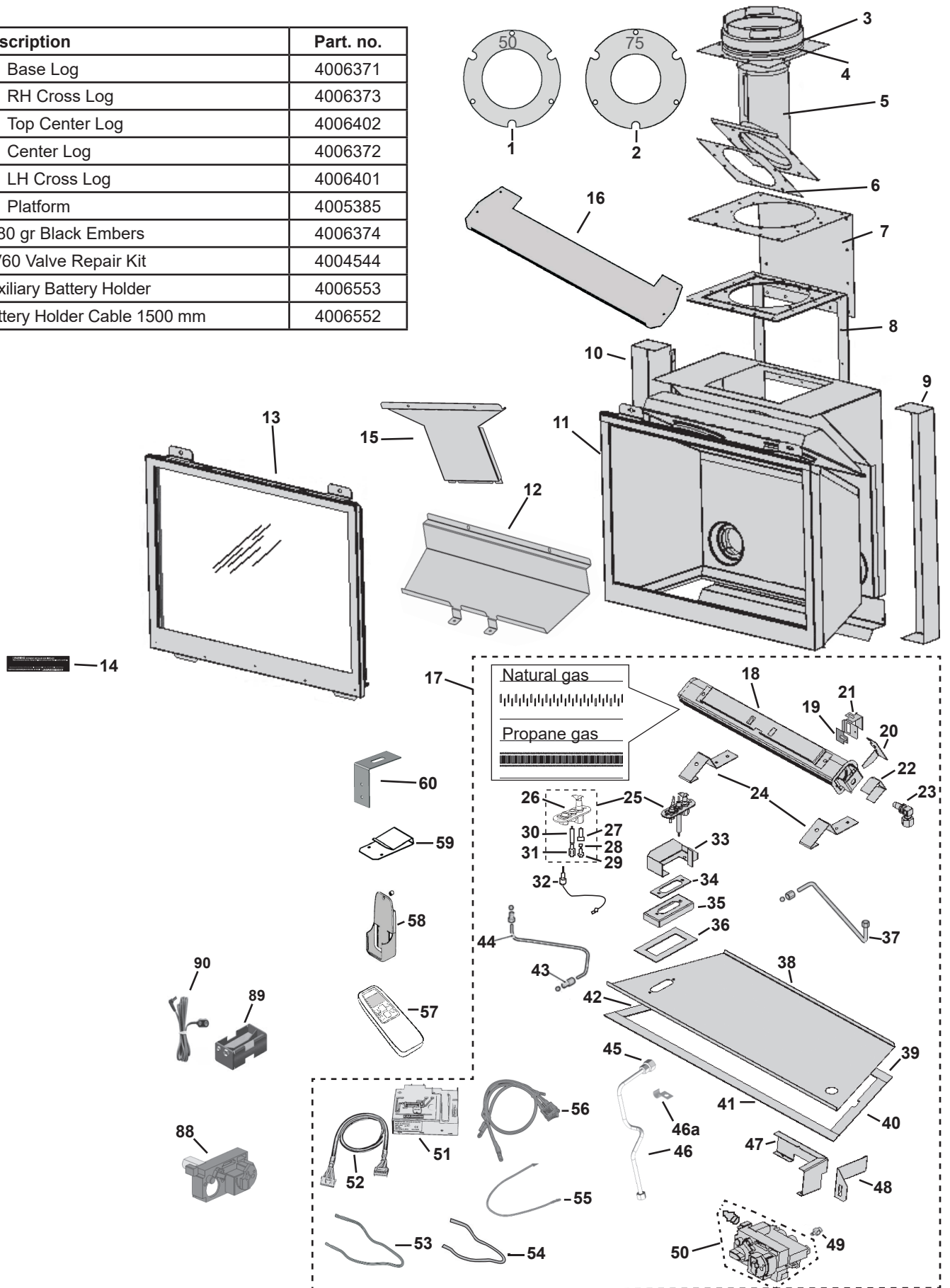
Spare Parts

	Description	Part. no.
1	Restrictor 50 (2)	4000949
2	Restrictor 75 (2)	4000950
3	Dura-Vent Intake Collar	4000925
4	Intake Collar Gasket	4000942
5	Exhaust Collar Assembly	4000909
6	Exhaust Collar Gasket	4000938
7	Intake Plate	4000908
8	Intake Plate Gasket	4000941
9	R/H Stove Back Corner	4000922
10	L/H Stove Back Corner	4000923
11	Firebox Assembly	4000920AH
12	Rear Log Support	4001890
13	Window Assembly	4000919
14	Hot Glass Warning Plate	4003093
15	Heat Reduction Baffle	4000974
16	Top Spar—not used with MFCS05	4000916
17	Burner Tray Assy (natural gas)	4001892S
	Burner Tray Assy (propane gas)	4001893S
18	Burner (natural gas)	740K189
	Burner (propane gas)	740K190
19	Air Shutter Cover (natural gas)	4002346
20	Flashback Shield (propane gas)	3000371
21	Air Shutter Slider (natural gas)	4002345
22	Air Shutter Slider (propane gas)	320B293
23	Injector Elbow 82-750 (natural gas)	4000738
	Injector Elbow 92-300 (propane gas)	9730035
24	Burner Mounts (2)	4000132
25	Pilot Assembly (natural gas)	4000062S
	Pilot Assembly (propane gas)	4000063S
26	Pilot Bracket	720A542
27	Pilot Injector—No 35 (natural gas)	4002511
	Pilot Injector—No 27 (propane gas)	720A195
28	Hooked Olive for Pilot Injector	720A196
29	Olive Nut—Pilot Pipe to Pilot Assembly	420K385
30	Electrode	720A543
31	Electrode Retaining Nut	720A200
32	Thermocouple	4000061
33	Pilot Shield	4000144
34	Pilot Gasket	4000139
35	Pilot Mount	4000138
36	Pilot Mount Gasket	4000140
37	Pipe—Valve to Main Burner (incl. olive & nuts)	4000065
38	Valve Tray	4001627

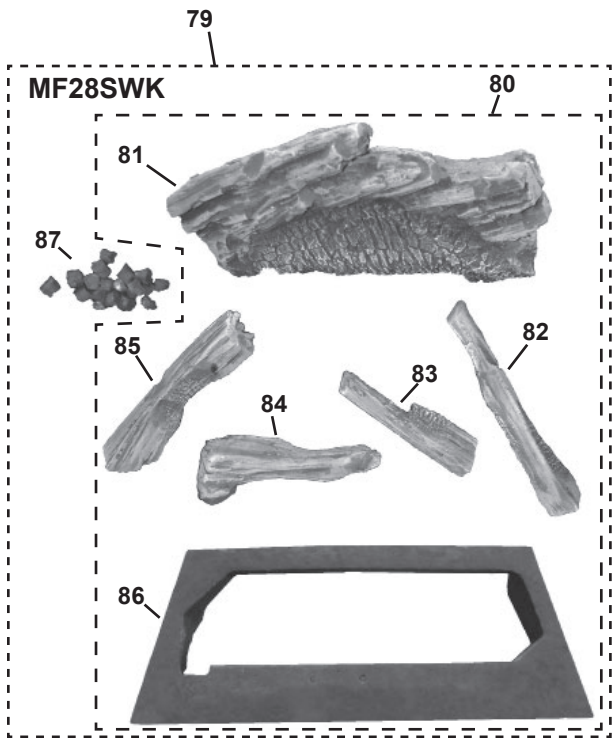
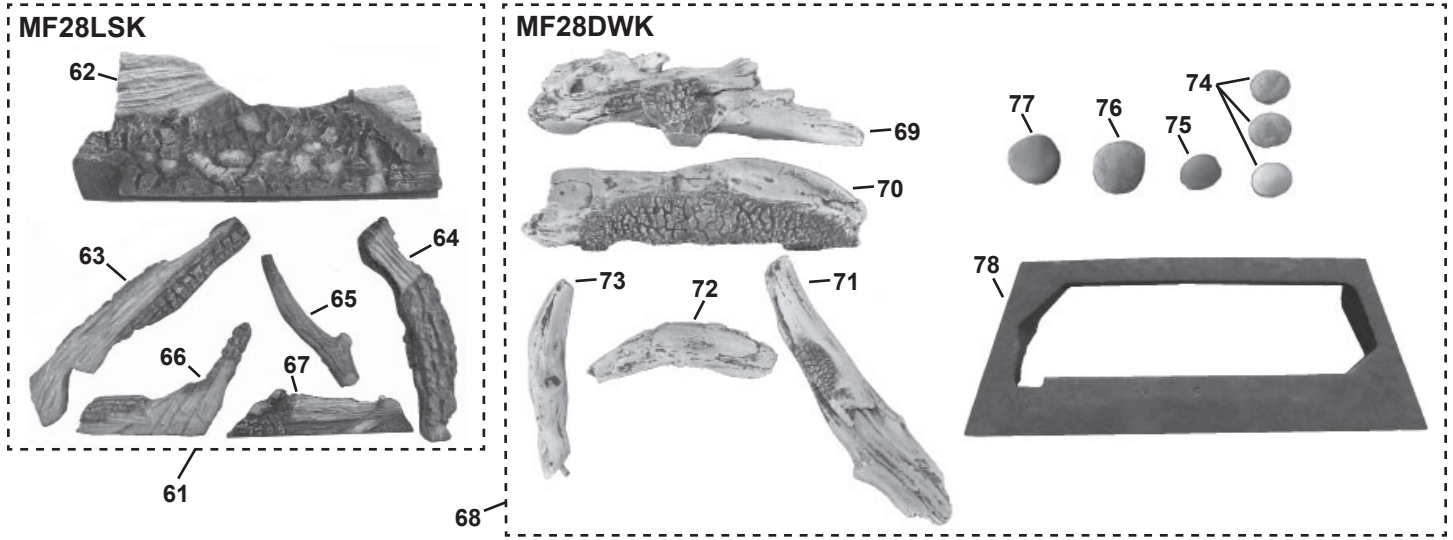
	Description	Part. no.
39	Rear Gasket	4000642
40	RH Side Gasket	4000643
41	Front Gasket	4000641
42	LH Side Gasket	4000644
43	Break-off Olive Nut—Pilot Pipe to Valve	220K913
44	Pipe—Valve to Pilot	4000066
45	Inlet Connector	220K997
46	Inlet Pipe	4008475
46a	Pipe Clamp	4008498
47	Valve Mounting Bracket	4000141
48	Switch Bracket	4001070
49	Thermocurrent Interruptor	4001037
50	GV60 Complete Valve (natural gas)	4003102
	GV60 Complete Valve (propane gas)	4003115
51	Receiver G6R-R3AM-ZV (CP)	4001911
52	Wiring Harness	4001187
53	Ignition Cable	4001039
54	Ignition Cable Sleeve	4002244
55	Cable Interruptor/Receiver	4001035
56	Switch with Cable	4001036
57	Handset G6R H3T5-ZV (BJ)	4001910
58	Handset Wall Holder	9000008
59	Receiver Clip	4001164
60	Fan Control Bracket	9000946
61	Traditional Log Set	MF28LSK
62	Rear Log	4003803
63	Left Top Log	4003796
64	Right Top Log	4003797
65	Right Center Log	4003798
66	Left Front Log	4003800
67	Right Front Log	4003801
68	Driftwood Kit	MF28DWK
69	Rear Log	4005384
70	Base Log	4005383
71	RH Cross Log	4005381
72	Front Log	4005382
73	LH Cross Log	4005380
74	Small Beige Beach Pebble (3)	4003087
75	Small Grey Beach Pebble	4003086
76	Brown Beach Pebble	4003082
77	Grey Beach Pebble	4003083
78	Platform	4005385
79	Splitwood Kit	MF28SWK
80	Splitwood Set	4006375

Spare Parts

	Description	Part. no.
81	Base Log	4006371
82	RH Cross Log	4006373
83	Top Center Log	4006402
84	Center Log	4006372
85	LH Cross Log	4006401
86	Platform	4005385
87	80 gr Black Embers	4006374
88	GV60 Valve Repair Kit	4004544
89	Auxiliary Battery Holder	4006553
90	Battery Holder Cable 1500 mm	4006552



Spare Parts



Thank You ...

For purchasing a Valor by Miles Industries. Your new radiant gas heater is a technical appliance that must be installed by a qualified installer.

Please fill in the information below. The information provided will be used for customer records only.

Fireplace Information
Model Number: MF28 <input type="checkbox"/> JN or <input type="checkbox"/> JP
Serial Number:
Date Purchase (yyyy-mm-dd):
Dealer:
Customer Information
First Name:
Last Name:
Contact Information
Email:
Mailing Address
Address:
City:
Province/State:
Postal/Zip Code:
Country:

Cut out page, fill information, and mail to Miles Industries Ltd.

Online Warranty registration at www.valorfireplaces.com



Tape Shut



Fold here



Postage
needed

Valor Fireplaces
190 - 2255 Dollarton Highway
North Vancouver, BC V7H 3B1
Canada

Online Warranty registration at www.valorfireplaces.com

Thank you for choosing a Valor Product