



# MADRONA



## DV Gas Fireplace Heater (engine only) MF28JLN (NG) & MF28JLP (LPG)

Engine to be installed **ONLY** with the cast stove body MFCS01, MFCS02 or MFCS04

### Installation & Owner's Manual



# DANGER



**HOT GLASS WILL  
CAUSE BURNS.**

**DO NOT TOUCH GLASS  
UNTIL COOLED.**

**NEVER ALLOW CHILDREN  
TO TOUCH GLASS.**

A barrier designed to reduce the risk of burns from the hot viewing glass is provided with this appliance and shall be installed for the protection of children and other at-risk individuals.

**INSTALLER**  
Leave this manual  
with the appliance.

**CONSUMER**  
Retain this manual  
for future reference.

Please read this manual  
**BEFORE** installing and  
operating this appliance.

#### **⚠ WARNING**

#### **FIRE OR EXPLOSION HAZARD**

Failure to follow safety warnings exactly could result in serious injury, death, or property damage.

- Do not store or use gasoline or other flammable vapors and liquids in the vicinity of this or any other appliance.
- **WHAT TO DO IF YOU SMELL GAS**
  - Do not try to light any appliance.
  - Do not touch any electrical switch; do not use any phone in your building.
  - Leave the building immediately.
  - Immediately call your gas supplier from a neighbor's phone. Follow the gas supplier's instructions.
  - If you cannot reach your gas supplier, call the fire department.
- Installation and service must be performed by a qualified installer, service agency or the gas supplier.

This manual contains instructions to install the **ENGINE ONLY**. A stove casing is **REQUIRED** to install the engine. A barrier screen is provided with the stove casing. **Refer to the manual supplied with the stove casing for installation.**

This appliance may be installed in an after-market permanently located, manufactured (mobile) home where not prohibited by local codes.

This appliance is only for use with the type of gas indicated on the rating plate. This appliance is not convertible for use with other gases, unless a certified kit is used.

This appliance is a domestic room-heating appliance. It must not be used for any other purposes such as drying clothes, etc.

This appliance is suitable for installation in a bedroom or bed sitting room.

Ce guide est disponible en français sur demande.

# Table of Contents

## FOR THE OWNER

Safety Precautions .....	3
Safety and Your Fireplace.....	4
Owner's Information.....	5
Operating Your Stove for the First Time .....	5
Cleaning Your Stove .....	6
Checking Pilot and Burner Flames .....	7
Using Handset Wall Holder.....	8
Replacing Batteries .....	8
Touching Up Paint .....	8
Locating Lighting, Operation and Rating Information Plate .....	8
Servicing Your Stove .....	8
Operating Your Stove .....	8
How to Turn Your Stove OFF (including pilot) .....	9
How to Ensure Your Stove Cannot Be Turned ON Inadvertently .....	9
Remote Control Operation.....	10
Options .....	14
Lighting Instructions.....	15
Commonwealth of Massachusetts.....	16

## FOR THE QUALIFIED INSTALLER

Specifications .....	18
Dimensions & Clearances .....	19
Venting.....	21
Installation Planning .....	26
Installation.....	26
Unpack Appliance .....	26
Remove Window .....	27
Unpack Casing .....	27
Reposition Lighting Instructions Plate .....	27
Unclip Remote Control Receiver .....	27
Fit Gas Pipe & Connector.....	27
Replace Receiver into Position.....	27
Install Fan (if used).....	28
Convert Vent Outlet (if necessary).....	29
Convert for Co-linear Applications (Rear Outlet ONLY) (if necessary) .....	29
Connect Gas Supply.....	30
Install Ceramic Logs.....	31
Refit and Check Window .....	32
Synchronize Remote Control.....	33
Check Operation.....	33
Adjust Aeration (if necessary).....	33
Install Front and Barrier Screen.....	34
Install Handset Wall Holder .....	34
Wiring Diagram .....	35
Approved Venting Components.....	36
Warranty .....	38
Spare Parts.....	39

Warranty Card at the back of this manual.



NATIONAL  
FIREPLACE  
INSTITUTE



CERTIFIED  
[www.nficertified.org](http://www.nficertified.org)

We recommend that our gas hearth products be installed and serviced by professionals who are certified in the U.S. by the National Fireplace Institute® (NFI) as NFI Gas Specialists.

**Massachusetts:** The piping and final gas connection must be performed by a licensed plumber or gas fitter in the State of Massachusetts. Also, see Carbon Monoxide Detector requirements on page 16.

The information contained in this installation manual is believed to be correct at the time of printing. Miles Industries Ltd. reserves the right to change or modify any information or specifications without notice. Miles Industries Ltd. grants no warranty, implied or stated, for the installation or maintenance of your heater, and assumes no responsibility for any consequential damage(s).

Designed and Manufactured by / for  
Miles Industries Ltd.

190–2255 Dollarton Highway, North Vancouver, BC, CANADA V7H 3B1

Tel. 604-984-3496 Fax 604-984-0246

[www.valorfireplaces.com](http://www.valorfireplaces.com)

© Copyright Miles Industries Ltd., 2014



## Safety Precautions

**READ** and **UNDERSTAND** all instructions carefully before starting the installation. **FAILURE TO FOLLOW** these installation instructions may result in possible fire hazard and will void the warranty.

Prior to the first firing of the fireplace, **READ** the Owner's Information section of this manual.

**DO NOT USE** this appliance if any part has been under water. Immediately, **CALL** a qualified service technician to inspect the unit and to replace any part of the control system and any gas control that has been under water.

### **THIS UNIT IS NOT FOR USE WITH SOLID FUEL.**

Installation and repair should be **PERFORMED** by a qualified service person. The appliance and venting system should be **INSPECTED** before initial use and at least annually by a professional service person. More frequent cleaning may be required due to excessive lint from carpeting, bedding, etc. It is **IMPERATIVE** that the unit's control compartment, burner, and circulating air passageways **BE KEPT CLEAN** to provide for adequate combustion and ventilation air.

Always **KEEP** the appliance clear and free from combustible materials, gasoline, and other flammable vapors and liquids.

**NEVER OBSTRUCT** the flow of combustion and ventilation air. Keep the front of the appliance **CLEAR** of all obstacles and materials for servicing and proper operation.

This unit **MUST** be used with a vent system as described in this installation manual. **NO OTHER** vent system or components **MAY BE USED**.

This gas fireplace and vent assembly **MUST** be vented directly to the outside and **MUST NEVER** be attached to a chimney serving a separate solid fuel burning appliance. Each gas appliance **MUST USE** a separate vent system. Common vent systems are **PROHIBITED**.

**INSPECT** the external vent cap on a regular basis to make sure that no debris, plants, trees, shrubs are interfering with the air flow.

**TURN OFF** the gas before servicing this appliance. It is recommended that a qualified service technician perform an appliance check-up at the beginning of each heating season.

**DO NOT** use this heater as a temporary source of heat during construction.

**State of California. Proposition 65 Warning.** Fuels used in gas, wood-burning or oil fired appliances, and the products of combustion of such fuels, contain chemicals known to the State of California to cause cancer, birth defects and other reproductive harm. California Health & Safety Code Sec. 25249.6.

Due to the high temperature, the appliance should be **LOCATED** out of traffic areas and away from furniture and draperies.

Clothing or flammable material **SHOULD NOT BE PLACED** on or near the appliance.

This appliance is a **DOMESTIC ROOM-HEATING APPLIANCE**. It must not be used for any other purposes such as drying clothes, etc.

**DO NOT** place furniture or any other combustible household objects within 36" of the fireplace front.

**BE CAREFUL** not to put any decorating objects sensitive to heat to close above or around the fireplace as it gets very hot when operating.

The glass door assembly **MUST** be in place and sealed before the unit can be placed into safe operation.

**DO NOT OPERATE** this appliance with the glass door removed, cracked, or broken. Replacement of the glass door should be performed by a licensed or qualified service person. **DO NOT** strike or slam the glass door.

The glass door assembly **SHALL ONLY** be replaced as a complete unit, as supplied by the fireplace manufacturer. **NO SUBSTITUTE** material may be used.

**DO NOT USE** abrasive cleaners on the glass door assembly. **DO NOT ATTEMPT** to clean the glass door when it is hot.

**A BARRIER DESIGNED TO REDUCE THE RISK OF BURNS** from the hot viewing glass is provided with this appliance and **SHALL BE INSTALLED** for the **PROTECTION OF CHILDREN** and other **AT-RISK INDIVIDUALS**.

If the barrier becomes damaged, the barrier **SHALL BE REPLACED** with the **MANUFACTURER'S BARRIER** for this appliance.

Any safety screen, guard or barrier removed for servicing the appliance, **MUST BE REPLACED** prior to operating the appliance.

Children and adults should be **ALERTED** to the hazards of high surface temperature and should **STAY AWAY** to avoid burns or clothing ignition.

**YOUNG CHILDREN** should be **CAREFULLY SUPERVISED** when they are in the same room as the appliance. Toddlers, young children and others may be susceptible to **ACCIDENTAL CONTACT BURNS**. A physical barrier is recommended if there are at-risk individuals in the house. To restrict access to a fireplace or stove, **INSTALL AN ADJUSTABLE SAFETY GATE** to keep toddlers, young children and other at-risk individuals out of the room and away from hot surfaces.

# Safety and Your Fireplace

## Please Read and Carefully Follow all Safety Warnings and Operating Instructions Contained in Your Owner's Manual

(Replacement Manuals are available by contacting our service department at 1-800-468-2567 or visit [www.valorfireplaces.com](http://www.valorfireplaces.com)).

### Please Follow These Important Child Safety Precautions and Recommendations,

- Parts of your Valor Fireplace become **extremely hot** while in operation.
- The glass viewing **window temperature can exceed 500 F** at full capacity. Momentary contact with a hot glass surface can **cause a severe burn**, even if the fireplace is operating at reduced heating capacity.
- **The glass window will remain hot** for an extended period of time after the fireplace has been turned off. Ensure that children are prevented from touching the fireplace during the cool down period.
- **Toddlers and Young Children must be closely supervised at all times** when they are in the same room as the operating fireplace. They lack full awareness of danger and rely on your protection. Toddlers, in particular, do not have the motor skills and response reflexes to



withdraw in the event of accidental contact with a hot surface.

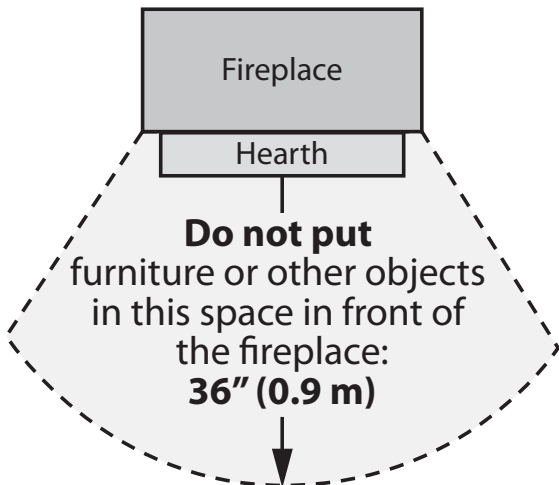
- **A physical barrier is strongly recommended** if there are young children, or at-risk individuals in the house. Install an approved after-market safety gate to keep toddlers, young children and other at-risk individuals a safe distance from the fireplace.
- **Keep the remote control handset out of reach of children at all times.** A wall mount storage holster is provided with your remote control handset.
- **Ensure that the fireplace, including the pilot light, is completely turned off** when children are present and close supervision and safety barriers are not available—see page 9 of *Owner's Information* section.
- If the fireplace is not going to be used for the summer or any extended period of time, **remove the batteries from the remote control handset and receiver.** It is recommended that batteries are replaced annually in any event—see page 8.

**⚠ WARNING**

**EXTREMELY HOT!!!**

- **READ the SAFETY information on pages 3 and 4 of this manual BEFORE operating your gas heater.**
- Some parts of your fireplace are **EXTREMELY HOT**, particularly the **GLASS** window.
- **DO NOT LET CHILDREN** touch the glass or any parts of your fireplace **even after it is turned off** as it is still hot.
- **USE THE BARRIER SCREEN** provided with the appliance, front or trim or a **GATE** to reduce the risk of burns.
- Keep the remote control handset **OUT OF REACH** of children.
- **HOT HEARTH/FLOOR SURFACE!** The hearth or floor directly in front of the stove is **VERY HOT** when the stove heats. Even if constructed of non-combustible materials, and although safe, it may reach temperatures **in excess of 200° F** depending on choice of materials. **DO NOT STEP ON IT!**
- Some materials or items, although safe, may discolor, shrink, warp, crack, peel, and so on because of the heat produced by the stove. **AVOID PLACING** candles, paintings, photos, and other items **SENSITIVE TO HEAT** within 36 inches (0.9 m) around the fireplace.
- Solid wood flooring in front of the stove (if allowed) may shrink during the heating season due to heat.

**Performance of LPG appliances may be affected by the quality of commercial gas supplied in your area.**



**Thank You ...**

For purchasing a Valor by Miles Industries. Your new radiant gas heater is a technical appliance that must be installed by a qualified dealer. Each Valor fireplace is fully tested during the production process for your safety and comfort.

Your unit has been professionally installed by:

Dealer Name: \_\_\_\_\_

Phone Number : \_\_\_\_\_

**Should you encounter an operational problem, call your dealer immediately.**

**Do not try to repair the unit as you may cause an injury or damage the fireplace.**

**This manual and particularly the preceding and following pages contain very important information regarding the safe operation of your fireplace as well as maintenance instructions. Read carefully BEFORE operating your fireplace and pay special attention to the SAFETY WARNINGS.**

A heating gas appliance does require safe handling and for this reason, we very strongly recommend that no children be allowed to touch the fireplace and its controls at all times. **Do install a screen or barrier in front of the fireplace to protect your children against severe burns.**

**Operating Your Stove for the First Time**

When operating your new fireplace for the first time, some vapors may be released due to the burning of curing compounds used in the manufacture of the appliance. They may cause a slight odor and could cause the flames to be the full height of the firebox, or even slightly higher, for the first few hours of operation.

It is also possible that these vapors could set off any smoke detection alarms in the immediate vicinity. These vapors are quite normal on new appliances. We recommend opening a window to vent the room. After a few hours use, the vapors will have disappeared and the flames will be at their normal height.

**Flame Supervision Device**

For your safety, this appliance is fitted with a flame supervision device which will shut-off the gas supply if, for any reason, the pilot flame goes out. This device incorporates a fixed probe, which senses the heat from the pilot flame. If the probe is cool, the device will prevent any gas flow unless manually lighting the pilot. See full lighting instructions on page 15 of this manual.

**Cleaning Your Stove**

**! WARNING**

**DO NOT TOUCH THE GLASS WHILE IT IS HOT!**  
Let the stove cool first before cleaning it.

**Cleaning the Window**

**Important - Glass cleaning - Mineral deposits**

One of the by-products of the combustion process in a gas appliance is a mineral which can show up as a white film on the ceramic glass of the viewing door. The composition of the deposit varies widely with location and time. It is believed to be associated with the varying sulfur content of the gas. You may have the problem intermittently.

We have consulted with ceramic glass manufacturers and they cannot offer a definitive solution to this problem. Dealers have tried various cleaning products with varying results. The following are recommendations only and are not meant to guarantee results.

**NOTE: This is a problem beyond Miles Industries' control and is not covered under warranty.**

- Clean the glass regularly as soon as you notice the buildup (white film). If the film is left for a longer period of time, it will bake on. It is then much harder, if not impossible, to remove.
- NEVER use an abrasive cleaner on the ceramic glass. Any abrasion of the surface has the immediate effect of compromising the strength of the glass. An emulsion type cleaner is recommended.
- Use a soft damp cloth to apply the cleaner. Dry the glass with a soft, dry, preferably cotton cloth. Most paper towels and synthetic materials are abrasive to ceramic glass and should be avoided.
- Our dealers have had good results from the products listed below. We cannot, however, guarantee the results of these products.
  - BRASSO, POLISH PLUS by KELKEM, COOK TOP CLEAN CREME by ELCO, WHITE OFF by RUTLAND, TURTLE WAX

**Do not clean the glass while it is hot!**

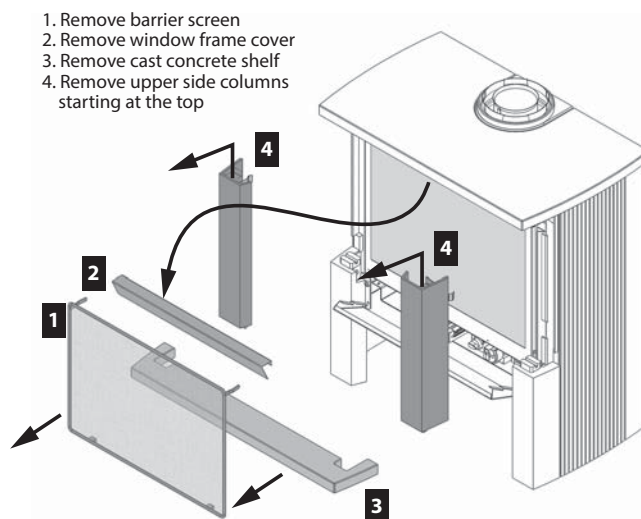
Always securely replace the window and the barrier screen before lighting.

**If broken, the glass pane may only be replaced as a complete window unit as supplied by the manufacturer.**

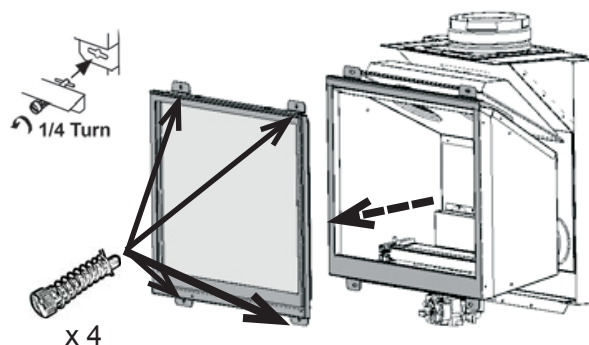
**If the barrier becomes damaged, the barrier shall be replaced with the manufacturer's barrier for this appliance.**

**To remove the window for cleaning:**

1. **Traditional stove MFCS01 and MFCS02:** Remove the barrier screen by pulling it on each side and then unhooking the top clip.  
**Contemporary stove MFCS04:** Pull out the top of the screen and then lift it up to unhook the bottom.
2. **Traditional stove MFCS01 and MFCS02:** Unhook the cast front.  
**Contemporary stove MFCS04:**
  - a) Remove the window frame cover.
  - b) Remove the concrete cast shelf (opening the access door under the shelf may help).
  - c) Remove the upper columns first pulling them up, off their bottom bracket, and then pulling them out unclipping them from the side panels.



3. Rotate the four fastening studs of the window 90 degrees to release them and gently pull the window unit outwards. Set aside in a safe place to avoid damage.



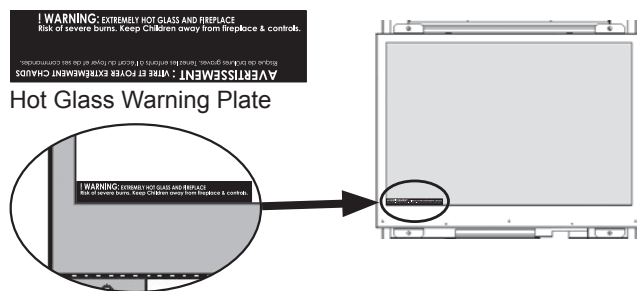
### To refit the window:

1. Place it on its frame and hold it in place while pushing and turning its fastening studs 90 degrees.

**IMPORTANT:** To ensure a safe operation, verify that the bolts are hooked properly to the window tabs; then, pull out the top of the window and release it to insure the springs return it.

Then, apply light hand pressure against the window frame sides to bed-in the window seal.

2. If the Hot Glass Warning plate has been removed from the front lower corner of the window, reinstall it by sliding it between the glass and the frame as indicated.



3. **Traditional stove MFCS01 and MFCS02:** Re-hook the cast front.

#### Contemporary stove MFCS04:

- a) Re-install the upper side columns on each side of the window fitting the bottom first and then pushing in squarely sliding the spring clips on the inside edge of the side panels.
  - b) Re-insert the concrete cast shelf between the upper and lower columns. Close the access door if opened.
  - c) Re-hook the window frame cover to the window's spring-loaded top bolts.
4. **Traditional stove MFCS01 and MFCS02:** Re-install the barrier screen by inserting first the top clip in the arch of the front and then pushing on the side of the screen so that the clips snap into place.  
**Contemporary stove MFCS04:** Re-install the barrier screen by hooking first the lower brackets to the inside edge of the concrete shelf and then pushing the screen against the stove so the upper clips snap on the upper side columns.

### Cleaning the Stove Casing

## ! WARNING

**DO NOT TOUCH THE STOVE WHILE IT IS HOT!** Let the stove cool first before cleaning it.

### Barrier screens

## ! WARNING

**FOR SAFETY PURPOSE, ensure the barrier screen is re-installed on the stove front after maintenance.**

The barrier screens can be brushed clean.

#### Cast iron stove body

The matte cast iron stove body can be brushed clean. The enameled cast iron stove body can be cleaned with mild soap and water then dried with a lint-free soft cloth.

#### Cast concrete stove body

Dust down the surface regularly with a soft brush and occasionally follow up with a wipe over with a wet cloth.

A sealer has been applied to the concrete surface, no cleaning agents nor polishes should be used. In case of an accidental spill, soak up the liquid **IMMEDIATELY** with a dry cloth and follow up with a wipe down with a wet cloth.

#### Logs and burner

Dust can be brushed from the ceramic logs and firebox walls after removing the front unit and opening the window. Dust can also be removed from the burner using a soft brush after removing the ceramic logs. When cleaning, make sure that no particles are brushed into the slots of the burner.

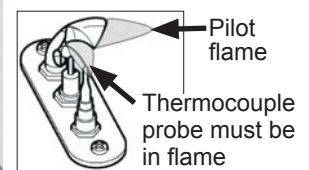
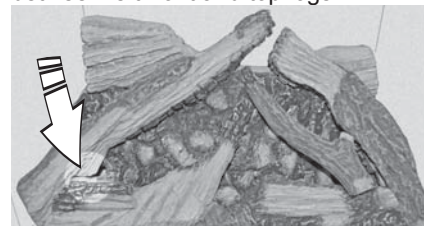
### Checking Pilot and Burner Flames

A periodic check of the pilot and burner flames should be made. Check after the fire has been on for at least 30 minutes. The pilot flame must cover the tip of the thermocouple probe. The main burner flame pattern will vary from appliance to appliance depending on the type of installation and climatic conditions.



Correct Flame Picture

Pilot Flame can be seen between left front and top logs



The appliance area must always be kept clear and free from combustible materials, gasoline and other flammable vapors and liquids.

Inspect the vent terminal outdoors regularly to make sure that snow, trees, bushes, leaves, or other objects do not obstruct it.

Examine the vent system and terminal regularly. We recommend annually.

### Using Handset Wall Holder

Your fireplace equipment includes a wall holder to store the handset. If it hasn't be installed, refer to the instructions further on in this manual for the installation.



### Replacing Batteries

#### **⚠ WARNING**

**DO NOT ATTEMPT TO CHANGE THE BATTERIES WHILE THE FIREPLACE IS STILL HOT!** Let the fireplace cool first before touching it.

#### **CAUTION**

**DO NOT USE** a screwdriver or other metallic object to remove the batteries from the battery box or the handset! This could cause a short circuit.

**Low battery signal: see page 14.**

**BEFORE changing the batteries, turn off the valve using the switch's On/Off button.**

The appliance uses four 1.5 V AA **alkaline** batteries for its remote control receiver and one 9 V **alkaline** battery for its handset. Batteries should last one to two seasons, depending on usage. Removing the batteries in the off-season will extend the battery life. Should the batteries lose power, the control may be operated by manually turning the control knob at the valve or by turning off the valve at the switch.

**To replace the batteries in the remote control receiver:**

1. The receiver is located to the left of the valve and it is clipped to the casting's cross beam. Unclip the receiver from the cross beam.
2. Slide and remove the receiver cover.
3. Replace the batteries with 4 AA **alkaline** batteries.
4. Replace the cover.
5. Clip the receiver back to the cross beam.

### Touching Up Paint

If you need to touch up the paint on your matte cast unit MFCS01, use the Stove Bright by Forrest 1990 Satin Black spray paint. Please note that it may be necessary to spray the entire cast piece.

### Locating Lighting, Operation and Rating Information Plate

#### **⚠ WARNING**

**DO NOT ATTEMPT TO TOUCH THE DATA PLATE WHILE THE STOVE IS STILL HOT!** Let the stove cool first before touching it.

The Lighting, Operation and Rating Information Plate is located on the rear of the appliance casing. To access the plate, reach over the top of the stove and pull the plate out from its holder to read it. There is important information on both sides of the plate.

### Servicing Your Stove

If any attention is required for your appliance, contact your supplier quoting the model number. It will be helpful if the appliance serial number can also be quoted. This number is on the rating plate, which is attached to the unit. The replacement parts are shown at the end of this manual. Please always quote the part number and description when requesting spare parts.

### Operating Your Stove

There are three ways to control your fireplace.

1. Thermostatic Remote Control;
2. Wall Switch;
3. Manual On/Off Switch.

The manual On/Off switch must be ON for the fireplace to function. It can be used to shut off the fireplace in case of emergency—see above.

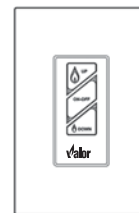
The Thermostatic Remote Control can be programmed to function automatically—see pages 10–14.

The Wall Switch (optional) can be used to turn on, off and to increase or decrease the flame height—see 1265WSK—Wall Switch Kit.

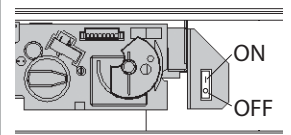
**NOTE:** The remote control in the AUTO mode will override the wall switch.



Thermostatic Remote Control



Wall Switch (optional)



Manual On/Off Switch



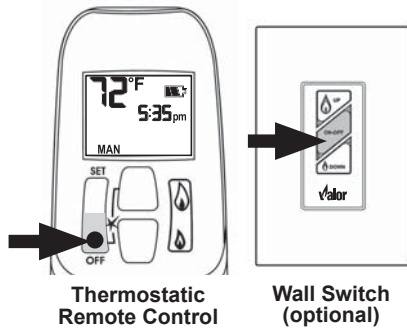
# Owner's Information

## How to Turn Your Stove OFF (including pilot)

Familiarize yourself with each of these methods before operating your stove.

**Handset and Wall Switch:** Press and hold the OFF button for a second (either on the handset or the wall switch).

If the flames are on, they go down and you hear the valve motor wind down. You hear a clunk and a beep indicating that the valve has received the signal from the remote control.



## How to Ensure Your Stove Cannot Be Turned ON Inadvertently

You can use one of the two following methods to ensure that your stove will not turn on when you don't want it on.

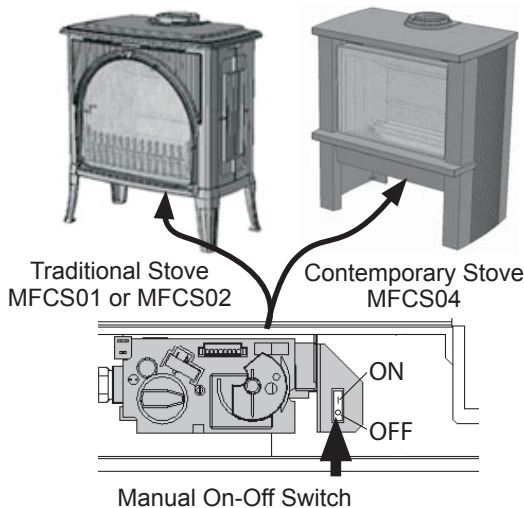
**First, ensure your stove is turned off—including the pilot—and cold BEFORE going ahead.**

- You can prevent your stove from lighting by pressing the **O** button on the manual ON/OFF switch on the gas valve—see image above.
- Alternately, remove all batteries from the receiver as well as the battery from the handset.

### Automatic Shut-Off (in certain conditions)

Your stove's remote control is equipped with an automatic shut-off mechanism which is activated in certain conditions. See page 14 in the *Remote Control Operation* section for a description of this feature.

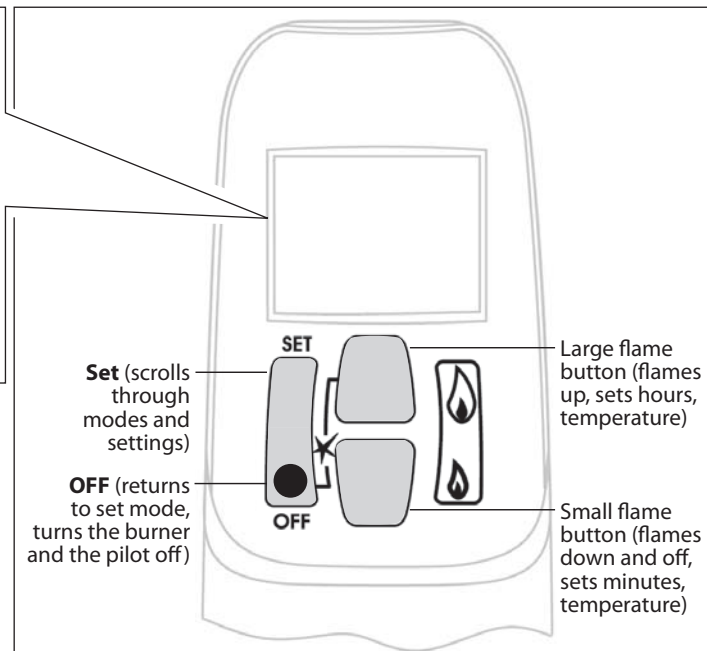
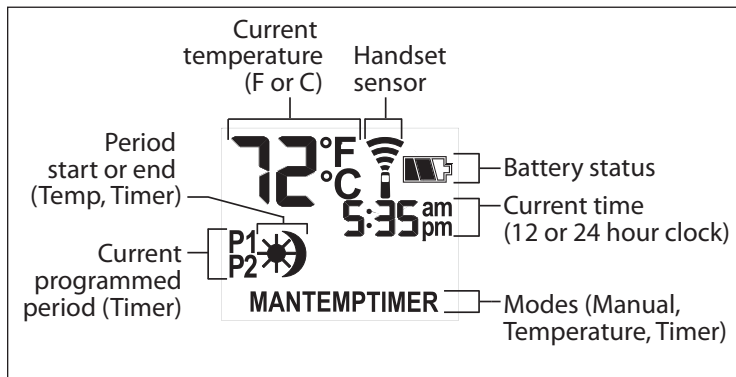
**Manual ON/OFF Switch:** Press the **O** button.



## Remote Control Operation

**NOTE:** Before using the remote control system for the first time, the receiver and the handset must be synchronized. See the section *Remote Control Initial Set-up* on page 33 of this manual.

**IMPORTANT:** BEFORE YOU BEGIN, please note that on this system, the settings of time, temperature and automatic ON/OFF **can only be programmed when the function display is flashing**. Be patient when programming as it can take a few seconds to set.



Display Overview

Handset Overview

Note: In the TEMP or TIMER modes, the remote handset senses the room temperature and adjusts the flame accordingly.

To communicate, the handset should be within 15 feet (4.5 meters) of the fireplace.

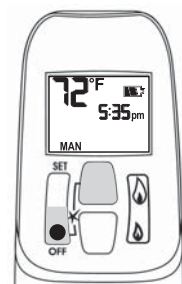
**Do not leave the handset on the mantel or hearth.**

### TO TURN ON APPLIANCE

#### CAUTION

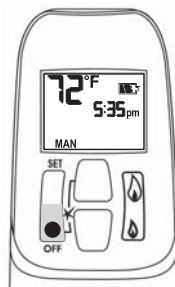
When pilot ignition is confirmed, motor turns automatically to maximum flame height.

- On the valve, turn MAN knob on the ON, full counterclockwise ↺ position.
- Place ON/OFF switch (if equipped) in I (ON position).



- Simultaneously press the OFF and 🔥 (large flame) buttons until a short beep confirms the start sequence has begun; release buttons.
- Continuing beeps confirm the ignition is in process.
- Once pilot ignition is confirmed, there is main gas flow.
- After main burner ignition the handset will automatically go into manual (MAN) control mode.

### TO TURN OFF APPLIANCE



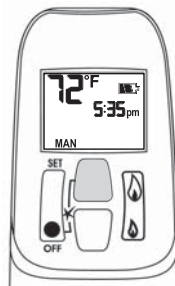
- Press OFF button.

When the pilot is off, it will take 2 minutes before it can be lit again.

#### STANDBY MODE (Pilot Flame)

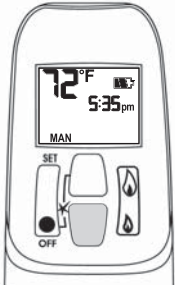
- Press and hold 🔥 (small flame) to set appliance at pilot flame.


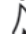

#### FLAME HEIGHT ADJUSTMENT



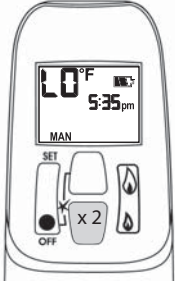
- In standby mode: Press and hold 🔥 (large flame) button to increase flame height.


# Remote Control Operation

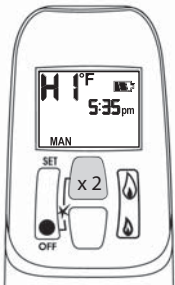



- Press and hold  (small flame) button to decrease flame height or to set the appliance at pilot flame.
- For fine adjustment tap the  (large flame) or  (small flame) buttons.

## Express Low and High Fire

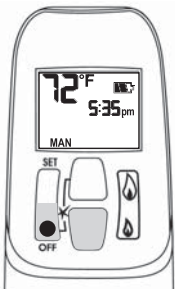



- Double-click  (small flame) button. "LO" will be displayed.  
NOTE: Flame goes to high fire first before going to designated low fire.



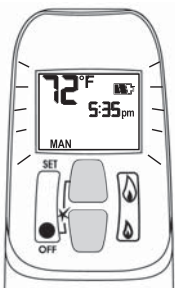
- Double-click  (large flame) button. Flame automatically goes to high fire. "HI" will be displayed.





## SETTING °C/24-HOUR OR °F/12-HOUR CLOCK



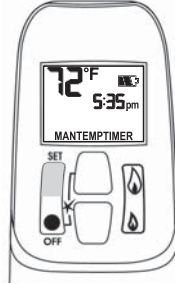
- In MAN mode, press OFF and  (small flame) buttons until display changes from Fahrenheit/12-hour clock to Celsius/24-hour clock and vice versa.

## SETTING THE TIME

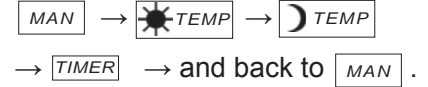




- The time display will flash after either:
  - Installing the battery or
  - Simultaneously pressing the  (large flame) and  (small flame) buttons.
- Press  (large flame) button to set the hour.
- Press  (small flame) button to set the minute.
- Press OFF or simply wait to return to MAN mode.

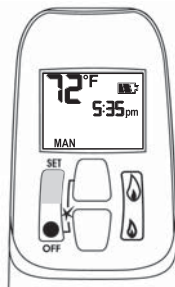
## MODES OF OPERATION



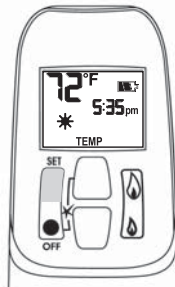
- Briefly pressing the SET button changes the mode of operation in the following order:



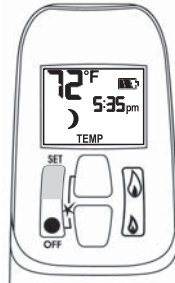
**NOTE:** Manual mode can also be reached by pressing either the  (large flame) or the  (small flame) buttons.



- **MAN** - **Manual Mode** - Manual Flame Height Adjustment.



- **\*TEMP** - **Daytime Temperature Mode** (Appliance must be in standby mode; pilot ignited) - The room temperature is measured and compared to the set temperature. The flame height is then automatically adjusted to achieve the Daytime Set Temperature.



- **MTEMP** - **Nighttime Setback Temperature Mode** (Appliance must be in standby mode; pilot ignited) - The room temperature is measured and compared to the Nighttime Setback temperature. The flame height is then automatically adjusted to achieve the Night-time Setback Temperature.



- **TIMER** - **Timer Mode** (Appliance must be in standby mode; pilot ignited) - The timers P1 and P2 (Program 1, Program 2) each can be programmed to go ON and OFF at specific times. For instructions see Timer Programming Mode.

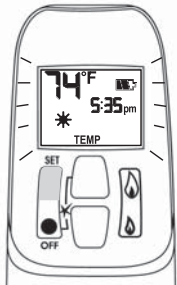
**NOTE:** The display shows the set temperature every 30 seconds.


## Remote Control Operation

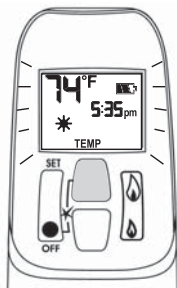
### SETTING THE ON / OFF TEMPERATURES



#### SETTING THE "DAYTIME" TEMPERATURE

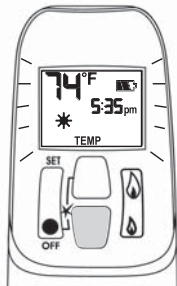
Default Settings:  TEMP (sun), 23°C / 74°F





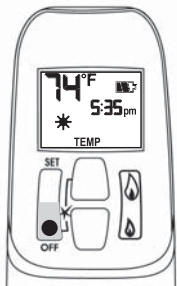
- Briefly press SET button to scroll to TEMP  TEMP (sun) mode. Hold the SET button until the TEMP flashes.



- Press  (large flame) button to increase the  Daytime Set Temperature.



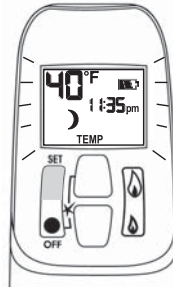
- Press  (small flame) button to decrease  Daytime Set Temperature.




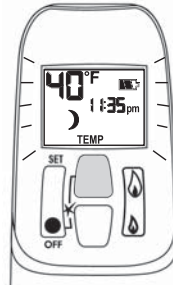
- Press OFF or simply wait to complete programming.



#### SETTING THE "NIGHTTIME SETBACK" TEMPERATURE

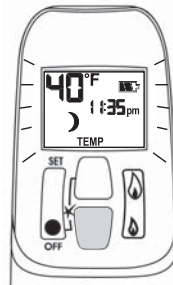
Default Settings:  TEMP (moon), "--" (OFF)





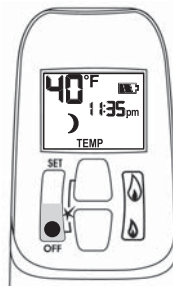
- Briefly press SET button to scroll to TEMP  TEMP (moon) mode. Hold the SET button until the TEMP flashes.



- Press  (large flame) button to increase  Nighttime Setback Temperature.



- Press  (small flame) button to decrease  Nighttime Setback Temperature.



- Press OFF or simply wait to complete programming.

#### Tip

Set the different parameters when they are flashing.

# Remote Control Operation

## SETTING PROGRAM TIMERS

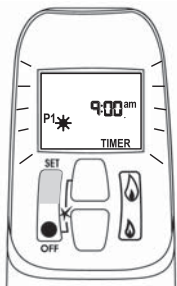
- You can program two periods of time between 12:00 am and 11:50 pm in each 24-hour cycle.
- The Programs P1 and P2 must be set in the following order during a 24-hour cycle: **P1** ☀, **P1** 🌙, **P2** ☀ and **P2** 🌙
- The icon ☀ indicates the beginning of the period (ON) and the icon 🌙 indicates the end of the period (OFF).
- If **P1** ☀ = **P1** 🌙 or **P2** ☀ = **P2** 🌙, the programming is cancelled.
- To keep the fireplace ON all night, set **P2** 🌙 at 11:50 am and **P1** ☀ at 12:00 am.

### Default settings:

Program 1: **P1** ☀ 6:00 am **P1** 🌙 8:00 am  
 Program 2: **P2** ☀ 11:50 pm **P2** 🌙 11:50 pm

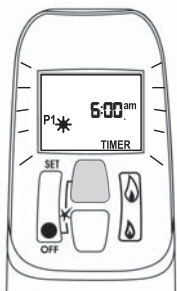


- Briefly press SET button to scroll to TIMER mode.

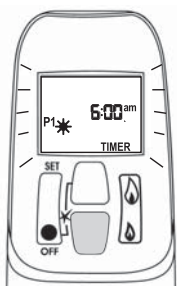


### SETTING P1 ON TIME

- Hold the SET button until **P1** ☀ (sun) is displayed and the time flashes.

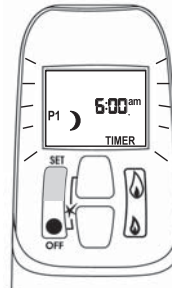


- Press 🔥 (large flame) button to set the hour.

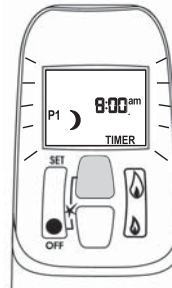


- Press 🔥 (small flame) button to set the minutes.

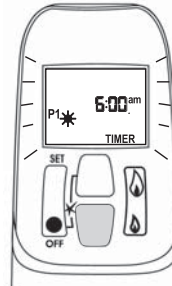
## SETTING P1 OFF TIME



- Briefly press SET button to scroll to TIMER **P1** 🌙 (moon) while the time flashes.



- Press 🔥 (large flame) button to set the hour.



- Press 🔥 (small flame) button to set the minutes.

## SETTING P2 ON TIME

- Briefly press SET to scroll to TIMER mode **P2** ☀ (sun) while the time flashes.
- Follow the instructions given to set P1 ON time.

## SETTING P2 OFF TIME

- Briefly press SET to scroll to TIMER mode **P2** 🌙 (moon) while the time flashes.
- Follow the instructions given to set P1 OFF time.

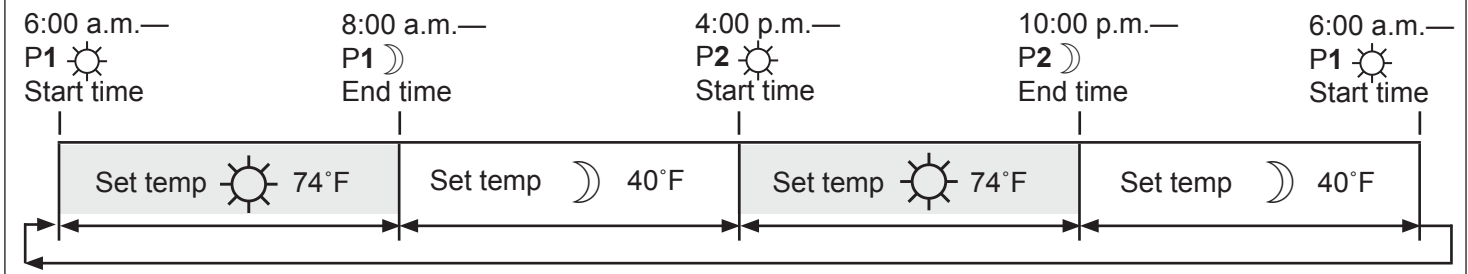
Press OFF button to save these settings. The timers are programmed. See the diagram on programming sequences on the following page.

### Tip

If you want to program only one period, program **P1** ☀ and **P1** 🌙 with desired times and program **P2** ☀ and **P2** 🌙 with the same time as **P1** 🌙.

## Remote Control Operation

### Timer Programming Example (default temperatures shown)



### AUTOMATIC TURN DOWN

- **No communication.** If there is no communication between the receiver and the handset for a period of 6 hours, the appliance goes into pilot mode.
- **No change in flame height.** If there is no change in flame height for a period of 6 hours, the appliance goes into pilot mode.  
**NOTE:** In **TEMP** or **TIMER** modes, the flame height will vary according to room temperature. The appliance will continue to work normally. However, if the room temperature remains the same for 6 hours, the appliance will go into pilot mode.


### AUTOMATIC SHUT OFF

- **Low batteries in the receiver.** With low battery power in the receiver the system shuts off completely.  
**NOTE:** This does not apply when the power supply is interrupted.
- **No change in pilot.** The appliance shuts off completely when it is continually in pilot position—without any change—for a period of 5 days.

### LOW BATTERY INDICATION

#### CAUTION

**DO NOT USE** a screwdriver or other metallic object to remove the batteries from the battery box or the handset! This could cause a short circuit.

**Remote handset:** The battery icon  will show when the battery needs to be replaced. Replace with one 9 V **alkaline** battery.

**Receiver:** Three short 'beeps' will sound when the motor turns when the batteries need to be replaced. Replace with four 1.5 V **alkaline** batteries.

### HANDSET / RECEIVER MATCH

The remote control handset and receiver are programmed to function together. In case of a replacement of the handset or the receiver, you will need to reset the receiver to allow them to function together. Contact your dealer for details.

## Options

### Required Kits\*

#### Stove Casing (choose one)

- MFCS01—Traditional Madrona Stove Black with Barrier Screen 4003311
- MFCS02—Traditional Madrona Stove Majolica Brown with Barrier Screen 4003311
- MFCS04—Contemporary Madrona Stove with Barrier Screen 4003433

#### Venting

See venting accessories listed on pages 36–37.

### Optional Kits\*

- 1265WSK—Wall Switch Kit
- 555CFK—Circulating Fan Kit
- MA28IPK—Conversion Kit to Propane Gas
- MA28INK—Conversion Kit to Natural Gas

#### Hearth Gate

Hearth gates such as Cardinal's VersaGates are available at retail stores carrying safety products for children.

\*Information accurate at the time of printing and subject to change without notice.

### FOR YOUR SAFETY, READ BEFORE LIGHTING

**WARNING: If you do not follow these instructions exactly, a fire or explosion may result causing property damage, personal injury or loss of life.**

- A. This appliance has a pilot which must be lighted by hand or by remote control. Follow these instructions exactly. To save gas, turn the pilot off when not using the appliance for a prolonged period of time.
- B. **BEFORE LIGHTING**, smell all around the appliance area for gas. Be sure to smell next to the floor because some gas are heavier than air and will settle on the floor.
- WHAT TO DO IF YOU SMELL GAS
- Do not try to light any appliance.
  - Do not touch any electric switch; do not use any phone in your building.
  - Immediately call your gas supplier from a neighbor's phone. Follow the gas supplier's instructions.
  - If you cannot reach your gas supplier, call the fire department.
- C. Use only your hand to push in or turn the control knobs. Never use tools. If the knobs will not push in or turn by hand, don't try to repair them; call a qualified service technician. Force or attempted repair may result in a fire or explosion.
- D. Do not use this appliance if any part has been under water. Immediately call a qualified service technician to inspect the appliance and to replace any part of the control system and any gas control, which has been under water.

### LIGHTING INSTRUCTIONS

1. STOP! Read the safety information above. Dependent on model, switch #1 may be mounted directly to valve see Fig 2A.

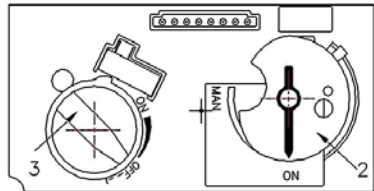


Fig 1

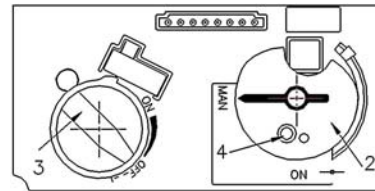


Fig 2

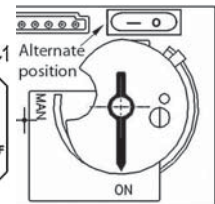




Fig 2A

2. SET ON/OFF SWITCH (1) TO "OFF" POSITION.

- Wait five (5) minutes to clear out any gas, then smell for gas, including near the floor. If you smell gas, STOP! Follow "B" in the safety information above on this label. If you don't smell gas, go to the next step.

3. AUTOMATIC IGNITION (fig. 1): Locate the pilot (fig 3.) inside of firebox at Left Hand side.

- ON/OFF switch (1) in ON position, MAN-knob (2) in ON position; set Flame Adjustment knob (3) to lowest setting (⊖);
- On the remote control handset, press and hold the 'off' button and  (large flame) simultaneously; a short acoustic signal confirms the start has begun;
- Further short acoustic signals indicate the ignition process is in progress;
- When the pilot is lit, the Flame Adjustment knob (3) will automatically rotate to the highest setting.
- Press the  (small flame) on the remote control handset to reduce the flame height.

4. MANUAL IGNITION (fig. 2): With the window off, locate the pilot (fig. 3) inside of firebox at Left Hand side;

- ON/OFF switch (1) in ON position, MAN-knob (2) in MAN position;
- Set Flame Adjustment knob (3) to the lowest setting (⊖);
- Push down the metallic core (4) with a pen or similar instrument; this will establish the pilot gas flow; Light gas at the pilot (5) with a match;
- Continue holding down metal core (4) for about 10 seconds; after release, pilot should remain lit;
- If the pilot will not stay lit after several tries, turn the gas control knob (3) to "OFF" (⊖) and call your local service technician or gas supplier.

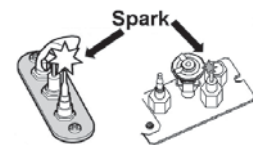



Fig 3

Reinstall the window and set the MAN-knob (2) to "ON"; turn Flame Adjustment knob (3) up (⊕) or down manually or use the up/down 'flame' buttons on the remote control handset to adjust the flame height.

### TO TURN OFF GAS TO APPLIANCE

1. AUTOMATIC SHUT-OFF (using the remote control handset):

- Press and hold the  (small flame) on the remote control handset to shut-off the main burner gas flow;
- Press "OFF" button on remote handset to shut-off the appliance, including pilot flame.

2. MANUAL SHUT-OFF (using only the ON/OFF switch (1))

- Press "O" the ON/OFF switch (1) to shut-off the appliance.

### State of Massachusetts Carbon Monoxide Detector/Vent Terminal Signage Requirements

For all side wall horizontally vented gas fueled equipment installed in every dwelling, building or structure used in whole or in part for residential purposes, including those owned or operated by the Commonwealth and where the side wall exhaust vent termination is less than seven (7) feet above finished grade in the area of the venting, including but not limited to decks and porches, the following requirements shall be satisfied:

**1. INSTALLATION OF CARBON MONOXIDE DETECTORS.** At the time of installation of the side wall horizontal vented gas fueled equipment, the installing plumber or gas fitter shall observe that a hard wired carbon monoxide detector with an alarm and battery back-up is installed on the floor level where the gas equipment is to be installed. In addition, the installing plumber or gas fitter shall observe that a battery operated or hard wired carbon monoxide detector with an alarm is installed on each additional level of the dwelling, building or structure served by the side wall horizontal vented gas fueled equipment. It shall be the responsibility of the property owner to secure the services of qualified licensed professionals for the installation of hard wired carbon monoxide detectors.

a. In the event that the side wall horizontally vented gas fueled equipment is installed in a crawl space or an attic, the hard wired carbon monoxide detector with alarm and battery back-up may be installed on the next adjacent floor level.

b. In the event that the requirements of this subdivision can not be met at the time of completion of installation, the owner shall have a period of thirty (30) days to comply with the above requirements; provided, however, that during said thirty (30) day period, a battery operated carbon monoxide detector with an alarm shall be installed.

**2. APPROVED CARBON MONOXIDE DETECTORS.** Each carbon monoxide detector as required in accordance with the above provisions shall comply with NFPA 720 and be ANSI/UL 2034 listed and IAS certified.

**3. SIGNAGE.** A metal or plastic identification plate shall be permanently mounted to the exterior of the

building at a minimum height of eight (8) feet above grade directly in line with the exhaust vent terminal for the horizontally vented gas fueled heating appliance or equipment. The sign shall read, in print size no less than one-half (1/2) inch in size, "GAS VENT DIRECTLY BELOW. KEEP CLEAR OF ALL OBSTRUCTIONS".

**4. INSPECTION.** The state or local gas inspector of the side wall horizontally vented gas fueled equipment shall not approve the installation unless, upon inspection, the inspector observes carbon monoxide detectors and signage installed in accordance with the provisions of 248 CMR 5.08(2)(a)1 through 4.

**(b) EXEMPTIONS:** The following equipment is exempt from 248 CMR 5.08(2)(a)1 through 4:

1. The equipment listed in Chapter 10 entitled "Equipment Not Required To Be Vented" in the most current edition of NFPA 54 as adopted by the Board; and
2. Product Approved side wall horizontally vented gas fueled equipment installed in a room or structure separate from the dwelling, building or structure used in whole or in part for residential purposes.

**(c) MANUFACTURER REQUIREMENTS - GAS EQUIPMENT VENTING SYSTEM PROVIDED.**

When the manufacturer of Product Approved side wall horizontally vented gas equipment provides a venting system design or venting system components with the equipment, the instructions provided by the manufacturer for installation of the equipment and the venting system shall include:

1. Detailed instructions for the installation of the venting system design or the venting system components; and
2. A complete parts list for the venting system design or venting system.

**(d) MANUFACTURER REQUIREMENTS - GAS EQUIPMENT VENTING SYSTEM NOT PROVIDED.**

When the manufacturer of a Product Approved side wall horizontally vented gas fueled equipment does not provide the parts for venting the flue gases, but identifies "special venting systems", the following



requirements shall be satisfied by the manufacturer:

1. The referenced "special venting system" instructions shall be included with the appliance or equipment installation instructions; and

2. The "special venting systems" shall be Product Approved by the Board, and the instructions for that system shall include a parts list and detailed installation instructions.

(e) A copy of all installation instructions for all Product Approved side wall horizontally vented gas fueled equipment, all venting instructions, all parts lists for venting instructions, and/or all venting design instructions shall remain with the appliance or equipment at the completion of the installation.

# Specifications

## Approval & Codes

This appliance is certified to ANSI Z21.88-2014/ CSA 2.33-2014 American National Standard / CSA Standard for *Vented Gas Fireplace Heaters* for use in Canada and USA, and to CGA 2.17-91 *High Altitude Standard in Canada*. This appliance is for direct vent installations.

Conversion between fuels may only be done using the approved conversion kits listed on page 14. This appliance complies with CSA P4.1-09 *Testing method for measuring annual fireplace efficiencies*.

The installation must conform to local codes or, in the absence of local codes, with the *National Fuel Gas Code, ANSI Z223.1* or the *Natural Gas and Propane Installation Code CAN/CGA-B149*. Only qualified licensed or trained personnel should install this appliance.

This appliance, when installed with the optional circulating fan kit (blower), must be electrically grounded in accordance with local codes, or, in the absence of local codes, with the *National Electrical Code, ANSI/NFPA 70* or the *Canadian Electrical Code, CSA C22.1*.

## Ratings

Model (Field convertible Top or Rear Vent Outlet)	MF28JLN	MF28JLP
Gas	Natural	Propane
Altitude (Ft)*	0-4,500 feet*	
Input Maximum (Btu/h)	26,000	26,000
Input Minimum (Btu/h)	6,500	14,500
Manifold Pressure (in w.c.)	3.75	9.0
Minimum Supply Pressure (in w.c.)	5.0	11.0
Maximum Supply Pressure (in w.c.)	11.0	14.0
Main Burner Injector Marking	82-750	92-300
Pilot Injector Marking	35	27

### \*High Altitude Installations

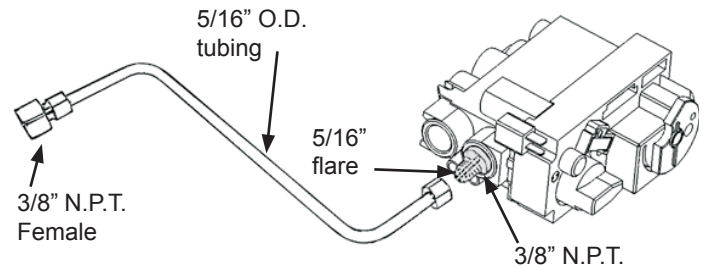
Input ratings are shown in BTU per hour and are certified without deration for elevations up to 4,500 feet (1,370 m) above sea level.

For elevations above 4,500 feet (1,370 m) in USA, installations must be in accordance with the current ANSI Z223.1 and/or local codes having jurisdiction. Heating value of gas in some areas is reduced to compensate for elevation—consult your local gas utility to confirm.

For installations at elevations above 4,500 feet (1,370 m) in Canada, please consult provincial and/or local authorities having jurisdiction.

## Supply Gas

Heater engine MF28JLN is used with natural gas. Heater engine MF28JLP is used with propane gas. The supply pressure must be between the limits shown in the Ratings section above. The supply connection is 3/8" NPT female.



## Electrical

The Madrona stove does not require an electrical power source unless it is fitted with an optional circulating fan—see page 14.

## Hearth Requirements

This unit is approved for mounting directly on combustible wood flooring. If installed directly on carpeting, vinyl or soft combustible floor other than wood, it must be installed on a metal or wood panel covering a minimum surface of 15 inches deep by 28 inches width.

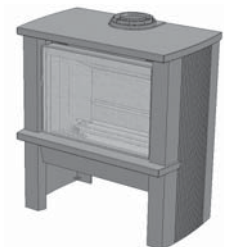
## Madrona Stoves

There are two types of stove casing for the Madrona MF28J engine, a traditional style available in two colors and a contemporary style. The stove casings are sold separately.

- MFCS01—Traditional Stove Black
- MFCS02—Traditional Stove Majolica Brown
- MFCS04—Contemporary Stove



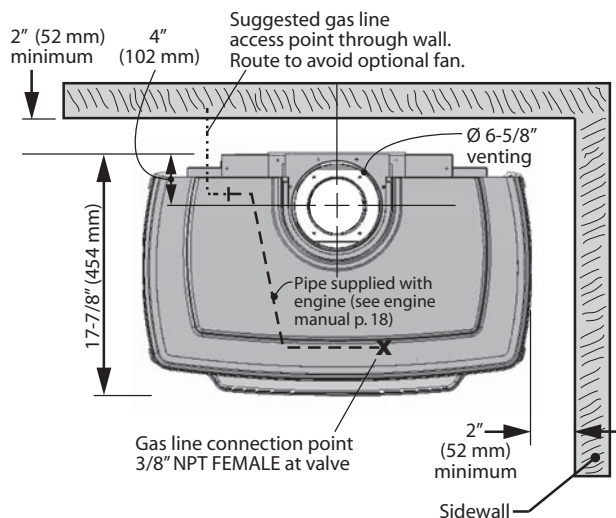
Traditional Stove  
MFCS01 or MFCS02



Contemporary Stove  
MFCS04

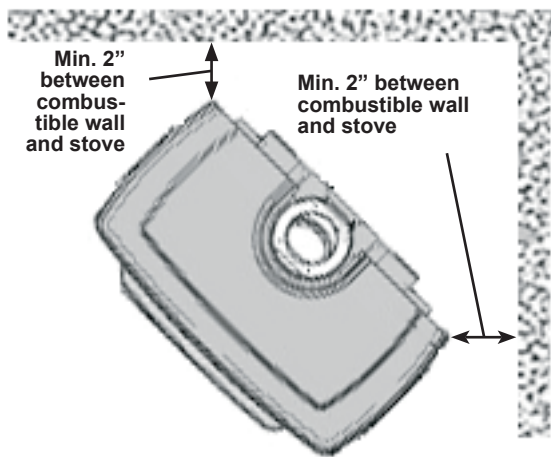
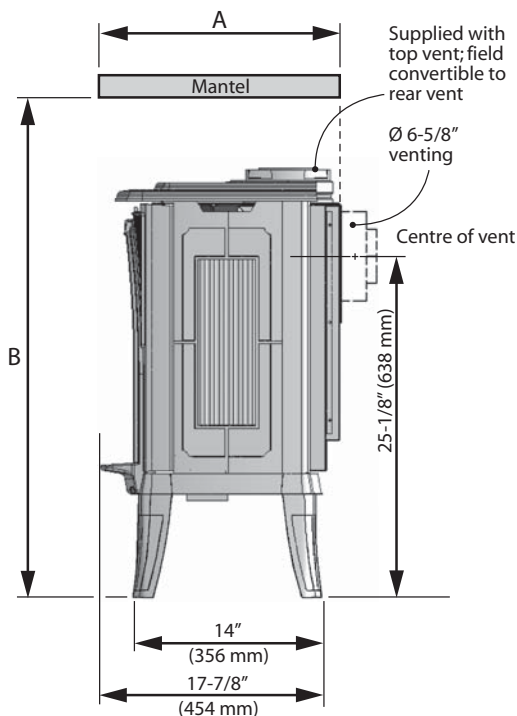
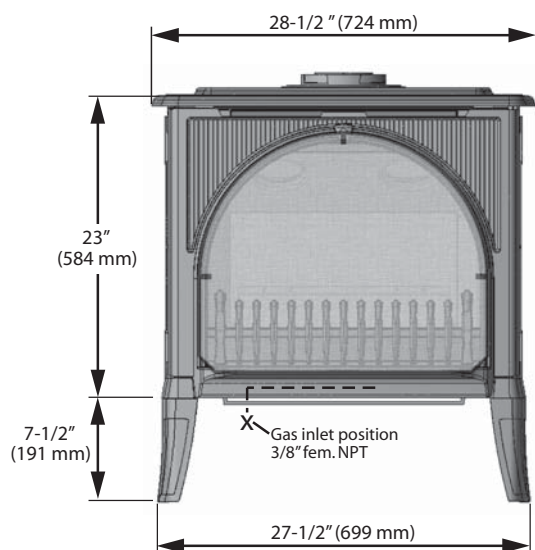
# Dimensions & Clearances

## Traditional Cast Stove MFCS01 (black) or Traditional Cast Stove MFCS02 (Majolica brown)

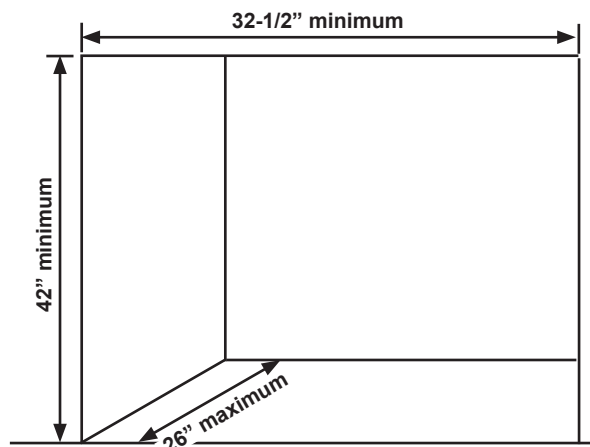


Mantel / shelf clearances

Mantel Depth 'A'	0-1" (0-26 mm)	2-5" (51-127 mm)	6-18" (152-457 mm)	19-24" (483-610 mm)
Mantel Height 'B'	34" (864 mm)	36" (914 mm)	38" (965 mm)	42" (1067 mm)



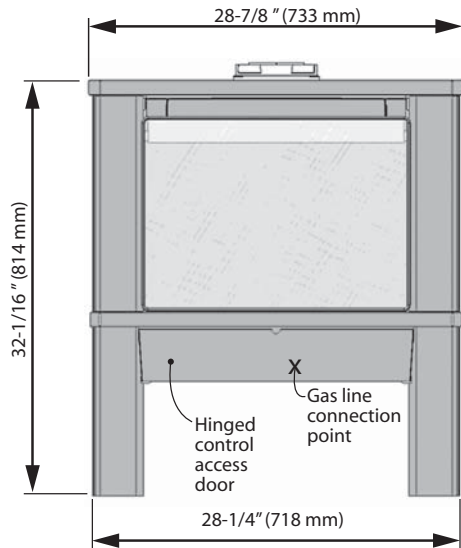
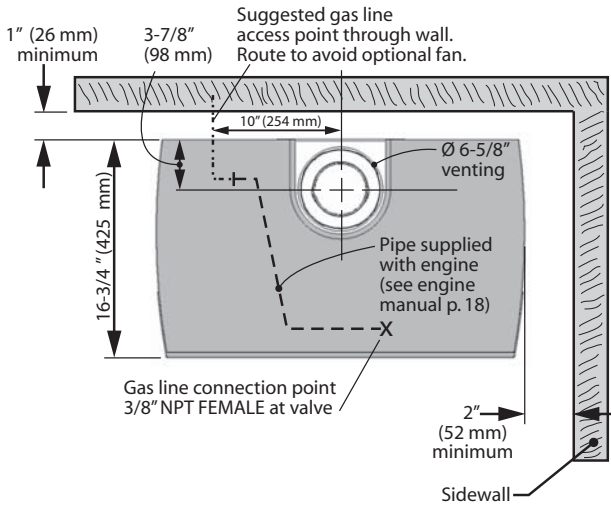
Corner clearances



Alcove clearances

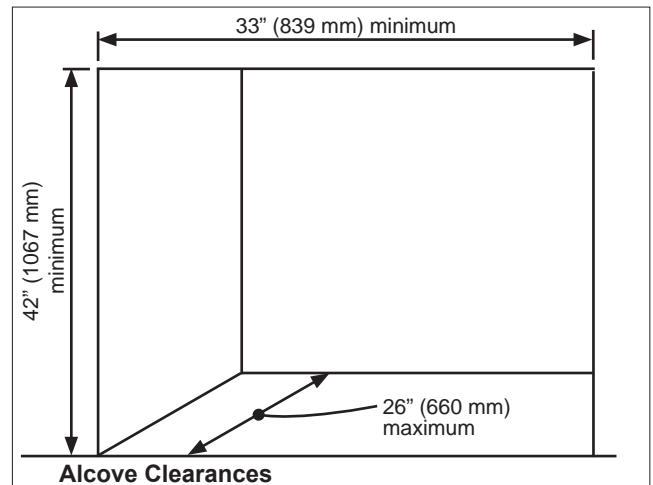
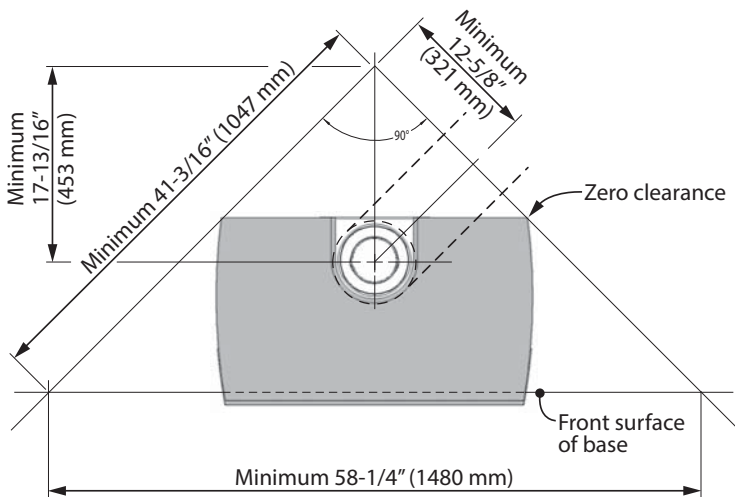
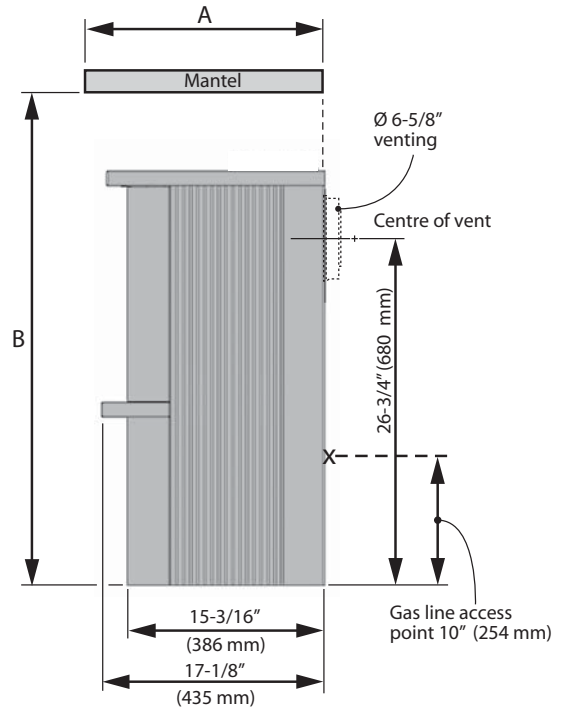
# Dimensions & Clearances

## Contemporary Cast Stove MFCS04



Mantel / shelf clearances

Mantel Depth 'A'	0-1" (0-26 mm)	2-5" (51-127 mm)	6-18" (152-457 mm)	19-24" (483-610 mm)
Mantel	34" (864 mm)	36" (914 mm)	38" (965 mm)	42" (1067 mm)
Height 'B'				



# Venting

## Top / Rear Outlet

This unit is shipped with a top outlet collar which is field-convertible to rear outlet—see page 29 for details.

## Vent Material

This unit is approved for installation using 4 by 6-5/8 inches co-axial direct vent pipe and accessories—see list of approved venting pipes and accessories on pages 36–37.

This unit may also be converted to co-linear (two 3 inches) venting (**rear vent only**) for use in solid-fuel burning fireplaces and chimneys using adapters and accessories—see list of approved venting pipes and accessories on pages 36–37. Instructions for co-linear conversion are packaged with the co-linear adapter. Do not mix components from different vent manufacturers. Follow the installation instructions supplied with the individual venting components.

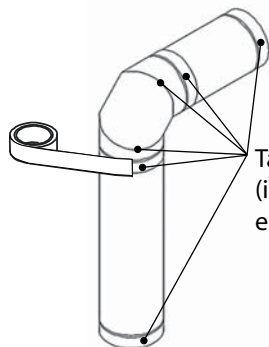
## Vent Sealing

Seal all outer coaxial pipe and elbow joints, including sectioned elbow joints, using high quality, high temperature 2 inch wide self-adhesive aluminum foil tape (Nashua-322-2 brand or similar). Wrap the tape completely around all joints and press firmly to seal.

A high temperature black silicone sealant may be used in the outer joints as a substitute to foil tape.

Ensure all the pipe joints have a minimum of 1 ¼ inch overlap.

## Wall Thickness

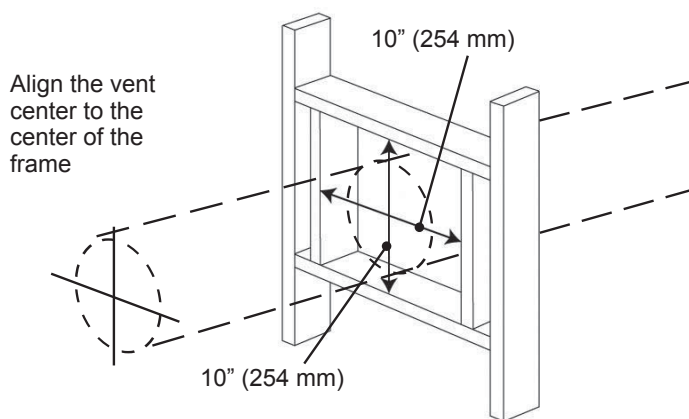


Tape all joints (including all elbow joints)

The appliance vent is suitable for penetrating a combustible wall assembly up to 14 inches (36 cm) in thickness. A non-combustible wall can be of any thickness up to the maximum horizontal run of vent pipe allowed for the particular installation.

## Framing Vent in Combustible Walls & Ceilings

When penetrating through combustible walls and ceilings, frame a minimum of 10 by 10 inches opening to ensure that the insulation is kept clear of the vent pipe. Also, seal all joints between the wall plates, the wall and the vent pipe. Follow the installation instructions supplied with the individual venting components.



All horizontal pipe runs must be graded 1/4 inch per foot upwards in the direction of the exhaust flow. The final pipe length, when terminating through the wall may be graded downwards slightly to prevent water migration.

## Important Installer Notice – Weather Sealing & Vapor Barriers

It is the installer's responsibility to ensure that vent installations through exterior walls are caulked and weatherproofed in such a manner as to:

- Prevent rain water from entering the wall from the weather side by adequately caulking the outer vent plate to the exterior wall surface.
- Prevent moisture inside the home from penetrating into the wall structure by ensuring the inside wall plate is adequately sealed to the inside vapor barrier.
- Prevent rain water and moisture from entering the walls by sealing the joints between the outer vent tube and the inner and outer wall plates.

We recommend the use of a high quality polyurethane sealant.

# Venting

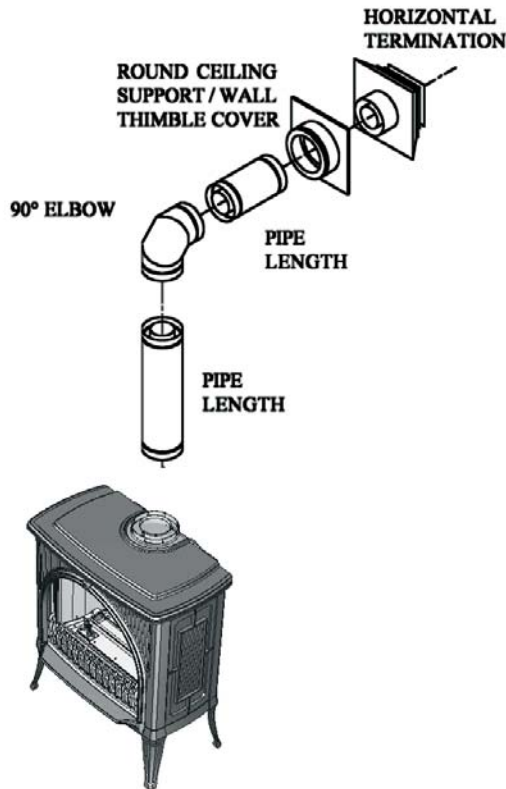
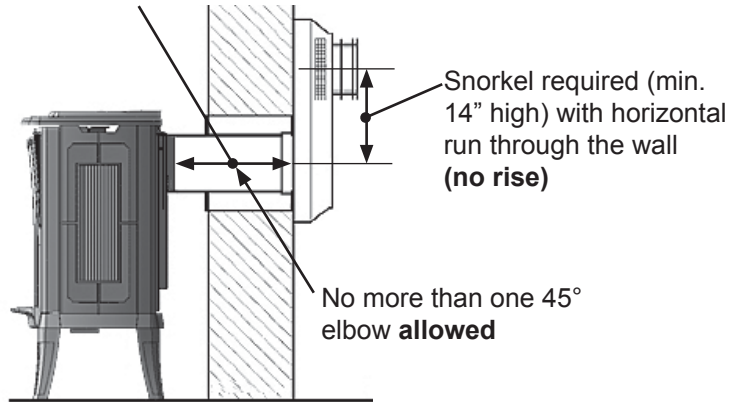
## Typical Venting Components

See list of approved venting pipes and accessories on pages 36–37.

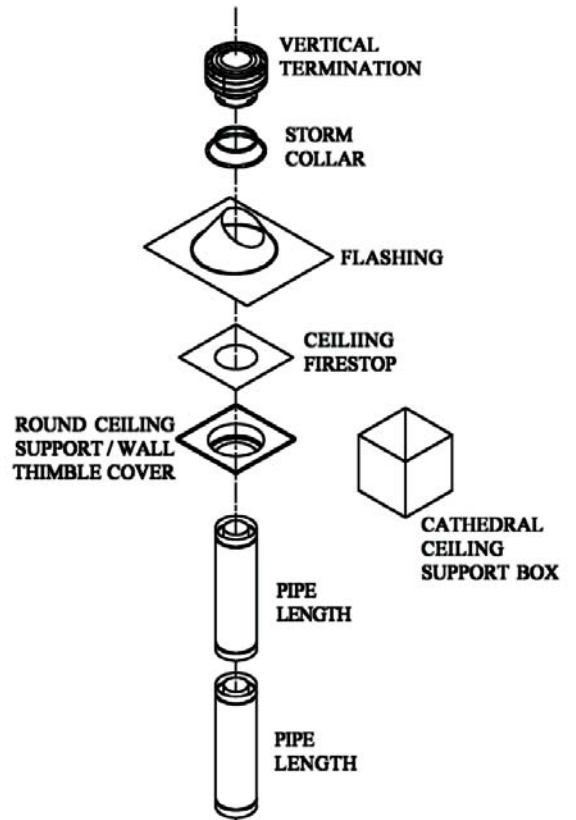
Maximum pipe length:

24" (straight out with snorkel)

14" (45° elbow out with snorkel)



Through wall (with vertical rise)



Through roof

# Venting

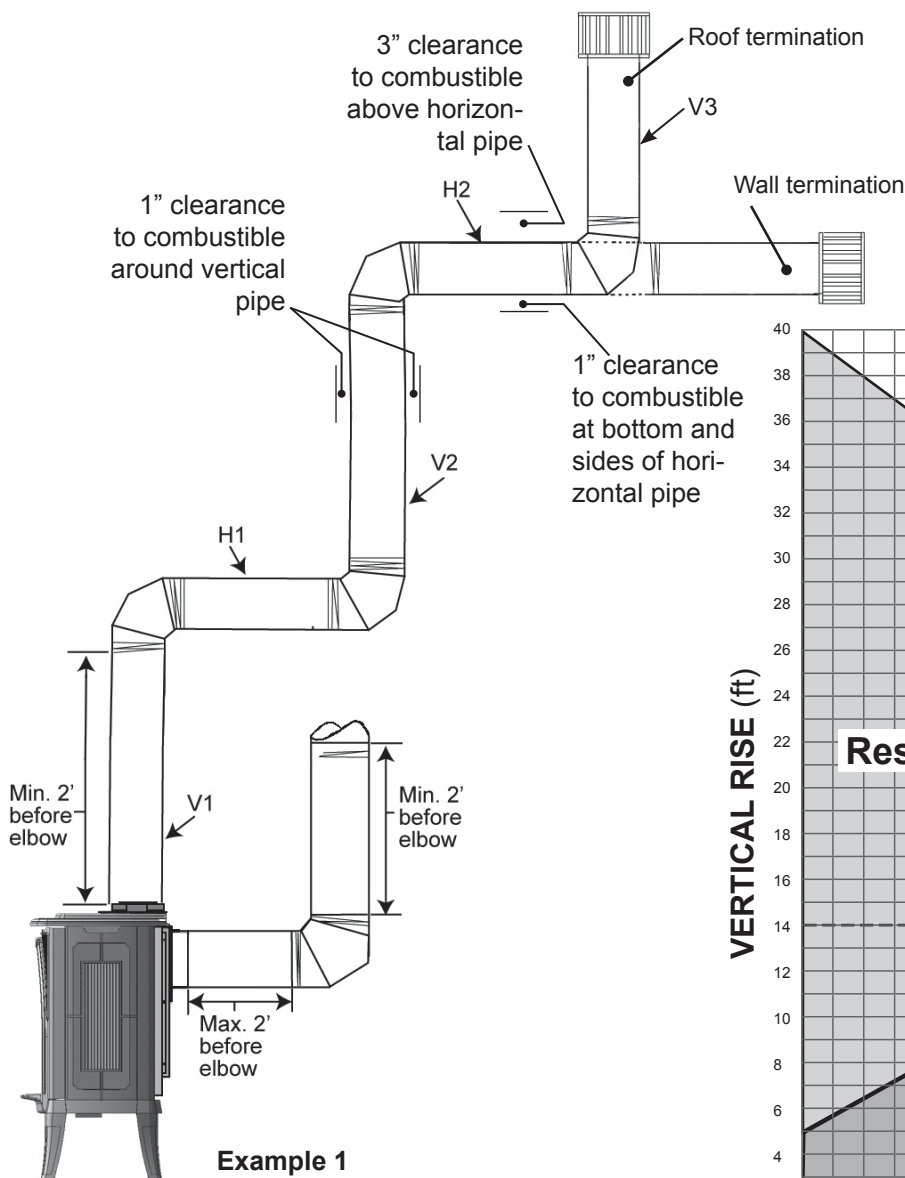
## How to Read the Venting Chart

The chart below applies to top or rear outlet, roof or wall termination **with a vertical rise**.

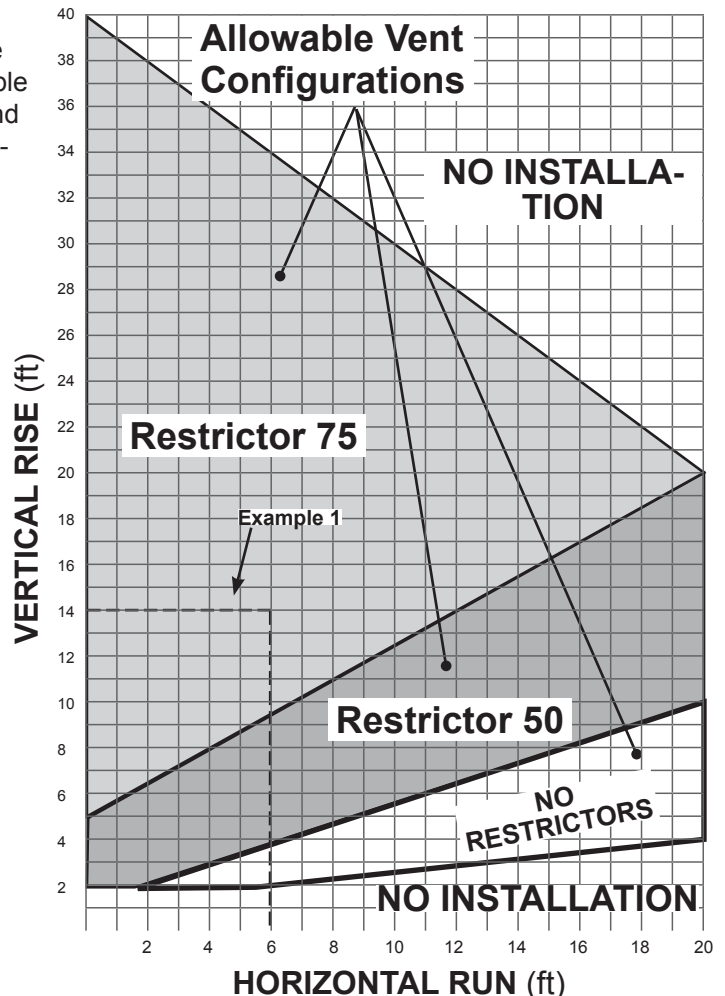
**All rear outlet venting without a vertical rise must be terminated by a snorkel.**

1. The total length of the vent pipe cannot exceed 40 feet (12.2 m).
2. The minimum vertical height with roof termination is 8 feet (2.45 m).
3. Any combination of rise and run can be used as long as they are within the allowable limits shown on the chart below.
4. A maximum of 5 x 90 degrees elbows or equivalent (2

- x 45 degrees = 90 degrees) can be used.
5. Each 90 degrees elbow installed on the horizontal plane is equivalent to a 3 feet horizontal pipe; therefore, 3 feet must be subtracted from allowable horizontal run.  
(45 degrees elbow is equivalent to 18 inches horizontal pipe.)
6. All horizontal pipe runs must be graded 1/4 inch per foot upwards in the direction of the exhaust flow.
7. **Co-linear rear venting** in existing chimney systems is limited to 40 feet vertical rise.
8. **Restrictors are not required** for co-linear installations.



## 5 x 90° ELBOWS MAXIMUM



**Example 1**  
**V Value = V1 (6') + V2 (6') + V3 (2') = 14'**  
**H Value = H1 (3') + H2 (3') = 6'**  
**75% restrictor required**

Not to scale

## Venting

### Restrictors

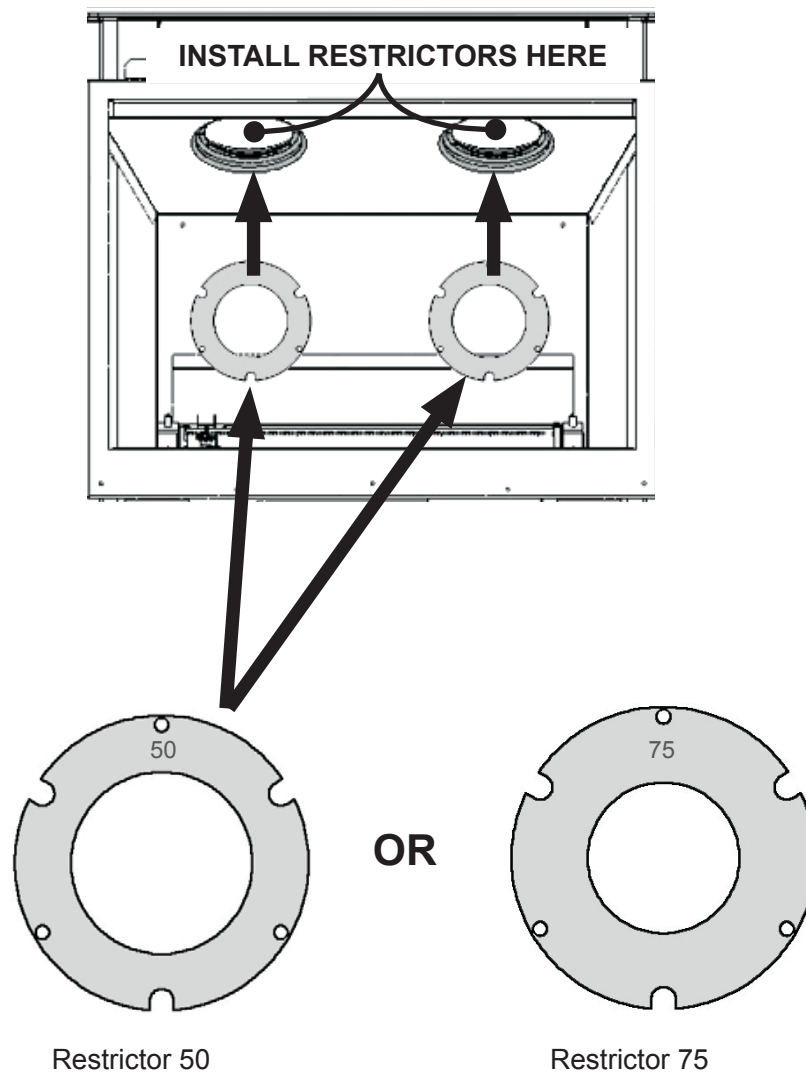
#### **SOME INSTALLATIONS REQUIRE RESTRICTORS.**

For improved flame picture and performance, this unit is supplied with two different sets of vent restrictors. The level of restriction required depends on the vertical rise in the venting system and, to a lesser degree, the horizontal run and number of elbows. The amount of restriction is based on laboratory tests. The ideal restrictor position may vary slightly, especially when the vent pipe length is near the limits of the acceptable configurations for each type of restrictors.

The chart on the previous page shows the vent restrictor required relative to the length of the vent pipe. Restrictors are not required for co-linear applications.

To install restrictors:

1. Remove every second screw from the exhaust ports in the top of the firebox.
2. Install the restrictors with the removed screws.



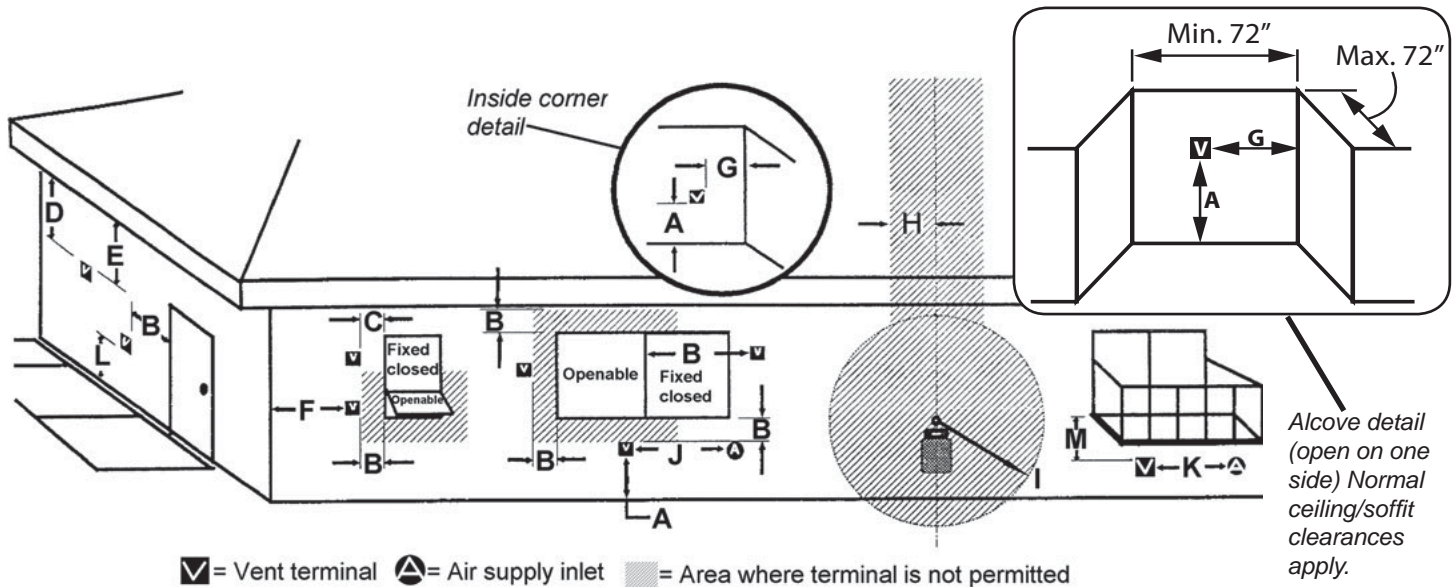


# Venting

## Horizontal Vent Termination

- The vent terminal must be located on an outside wall or through the roof.
- This direct vent appliance is designed to operate when an undisturbed airflow hits the outside vent terminal from any direction.
- The minimum clearances from this terminal that must be maintained when located on an outside wall are shown in the figure below.

- Any reduction in these clearances could result in a disruption of the airflow or a safety hazard. Local codes or regulations may require greater clearances.
- The vent terminal must not be recessed into a wall or siding.
- The vent terminal should be positioned where it will not be covered by snowdrifts.
- Sidewall vent termination requires a terminal guard such as 845TG when accessible—within 7' of ground.



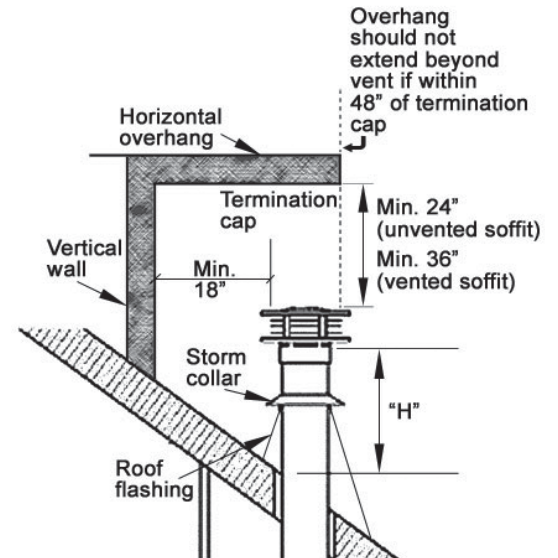
KEY	VENT TERMINAL LOCATIONS - MINIMUM DISTANCES	MINIMUM CLEARANCE	
		Inches	Cm
A	Clearance above grade, verandah, porch, deck or balcony	12	30
B	Clearance to window or door that may be opened	12	30
C	Clearance to permanently closed window (recommended to prevent condensation on window)	12	30
D	Vertical clearance to ventilated soffit located above the terminal within a horizontal distance of 2 feet (60 cm) from the center-line of the terminal	18	46
E	Clearance to unventilated soffit	12	30
F	Clearance to outside corner	12	30
G	Clearance to inside corner	12	30
H	Horizontal clearance to center-line of meter/regulator assembly located within 15 feet (4.6 m) below the terminal	36	90
I	Clearance to service regulator vent outlet	36	90
J	Clearance to non-mechanical air supply inlet to the building or the combustion air inlet to any other appliance	12	30
K	Clearance to a mechanical air supply inlet	72	180
L	Clearance above paved sidewalk or a paved driveway located on public property <b>Note:</b> A vent must not terminate directly above a sidewalk or paved driveway, which is located between two single-family dwellings and serves both dwellings	84	210
M	Clearance under a verandah, porch, deck or balcony Only permitted if veranda, porch, deck or balcony is fully open on a minimum of 2 sides beneath the floor	12	30

Note: Local codes and regulations may require different clearances.

## Venting

### Vertical Vent Termination

Roof Pitch	Minimum "H" (feet)
Flat to 7/12	1'
Over 7/12 to 8/12	1.5'
Over 8/12 to 9/12	2'
Over 9/12 to 10/12	2.5'
Over 10/12 to 11/12	3.25'
Over 11/12 to 12/12	4'
Over 12/12 to 14/12	5'



### Installation Planning

**Only qualified licensed or trained personnel should install this appliance.**

#### Fan (Blower)

Allow for and install electrical wiring if there will be a fan (blower) to install. Ask the homeowner if you are not sure.

#### Venting Configuration

This unit is supplied with a **top outlet** and is field convertible to a **rear outlet**. Plan routing of vent taking

into consideration stove and vent clearances, allowable vent terminal locations **BEFORE** cutting a hole in the roof or wall. Avoid penetrating the wall/roof at structural members.

#### Gas Line Routing

Consider visibility of shut-off valve or step-down regulators, etc. when planning gas line routing.

## Installation

### Unpack Appliance

The Madrona engine is supplied separately from the stove casings. The Traditional stove—MFCS01 (black) or MFCS02 (majolica brown)—and the Contemporary stove MFCS04 are each supplied in two cartons. You must have in hand the stove casing before starting the assembly of the appliance.

Unpack the carton carefully. **We strongly recommend that you leave the engine sitting on the packaging base in which it came to avoid damaging the control valve, wires and pipes already attached to the engine until it is ready to insert in the stove casing.**

Some parts are packed in the cardboard sleeve around the engine; make sure you take them all out of the packaging. Make sure you have all the components including the stove casing components before you start the installation.

### CAUTION

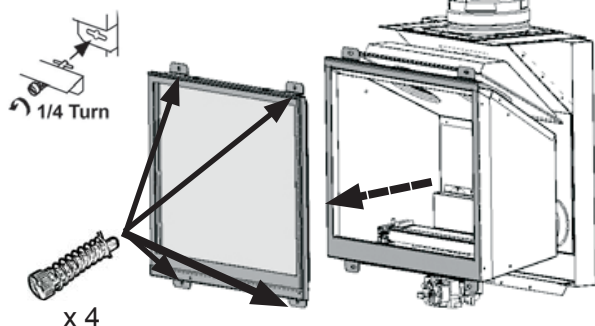
**LEAVE THE ENGINE ON ITS PACKAGING BASE to avoid damage to the control valve, wires and pipes until ready to insert into stove casing.**

# Installation

## Remove Window

It is easier to remove the window and all the items packed inside of the firebox to make the engine lighter for installation.

1. Release the spring bolts at top and bottom of the window by pushing and turning 1/4 turn.



2. Lift the window and set it aside in a safe place to avoid damage.
3. Remove the log pack from inside the firebox and set it aside with the window. Please handle the logs carefully as they are made of fragile material and can easily be damaged.

## Unpack Casing

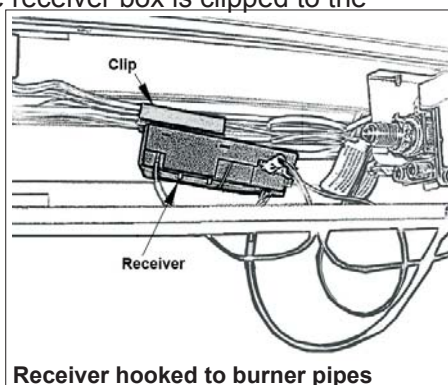
1. Rough-in the gas line and electrical wiring for a fan (if any).
2. Decide where the stove should be positioned to avoid moving it once all the casing is put together.
3. Unpack the casing and follow the instructions supplied with each model (MFCS01, MFCS02 or MFCS04).

## Reposition Lighting Instructions Plate

The lighting instructions plate is attached to the back of the engine and may have slid out of its slot. Reposition the plate if this is the case.

## Unclip Remote Control Receiver

Under the engine, the receiver box is clipped to the burner pipes to facilitate transportation. Unclip the box and let it hang while you fit the gas pipe.

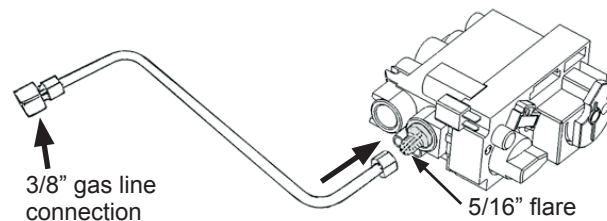


Receiver hooked to burner pipes

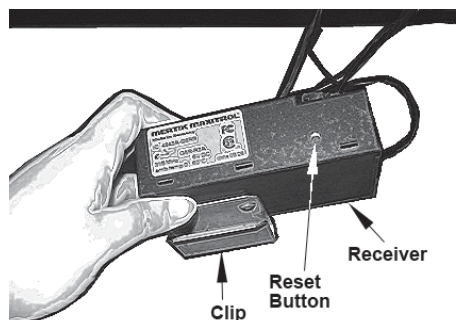
## Fit Gas Pipe & Connector

Fit the pipe and connector supplied with the engine to the valve. Connect the gas line to the inlet pipe.

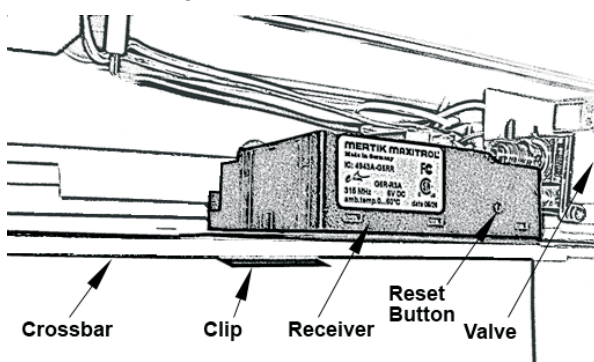
## Replace Receiver into Position



Once the gas pipe is fitted, clip the receiver on top of the casting crossbar on the base, to the left hand side of the valve. Make sure the receiver box is oriented with its wires towards the back and its Reset button at the front.



## Receiver & clip



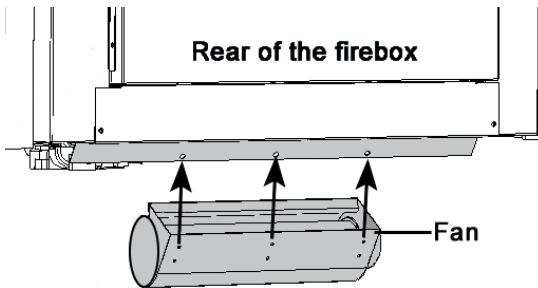
Receiver clipped to crossbar in final position

# Installation

## Install Fan (if used)

If the Circulating Fan Kit (blower) is to be installed, we suggest that you do it now.

1. Take the fan out of its package.
2. Remove the mounting plate from the fan and discard it.
3. Position the fan in such a way that its exhaust is directed upwards, towards the space between the inner and the outer walls of the firebox.  
NOTE: You may need to remove the burner to access the back of the stove. If this is the case, first remove the rear log support (NG/LPG) and the front log support (LPG), and then, the burner.
4. Using 3 screws, fix the fan to the firebox bracket.
5. Fix the fan control box bracket provided to the



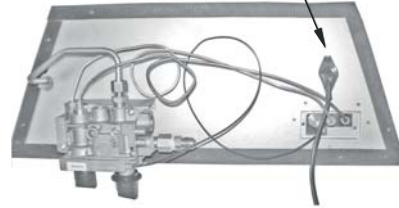
control box with 2 screws.

6. Fix the bracket, with the control box attached, to the casting base of the stove from underneath.
7. With 2 screws from the burner plate, fix the fan's

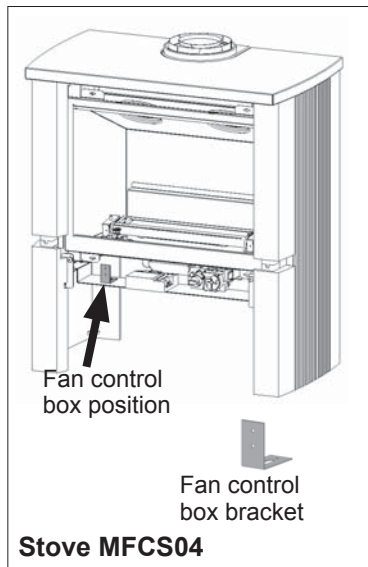
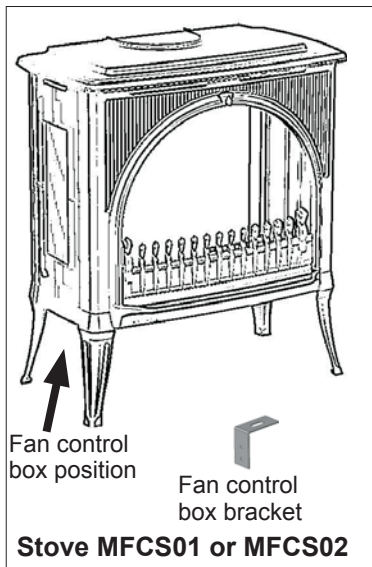
thermoswitch to the underside of the burner plate, behind the pilot area.

8. See instructions with the 555CFK kit for complete

Fasten thermal switch to underside of burner module using 2 existing screws



details.



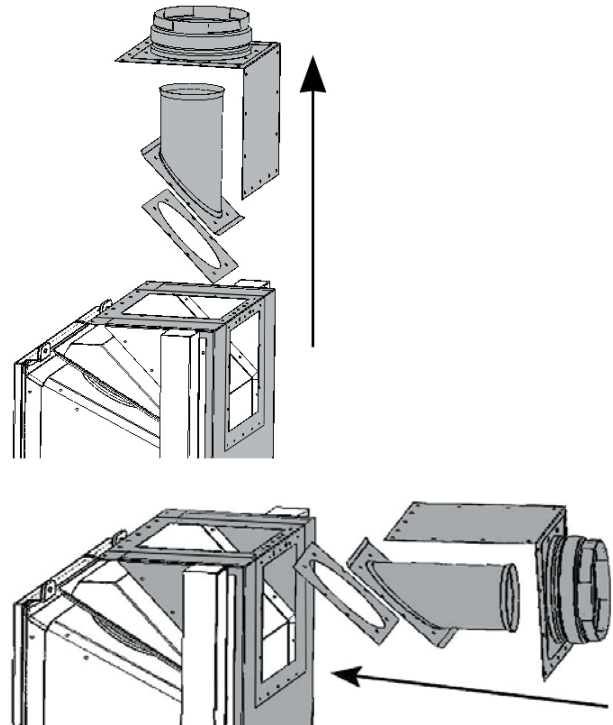
## Convert Vent Outlet (if necessary)

If the appliance is to be vented from the **top**, it is ready for vent installation once the engine is on the casting base.

If the appliance is to be vented from the **rear**, it must be converted. Follow these simple steps:

1. Remove the following parts in this order:
  - a) Dura-Vent collar, gasket and intake plate from the top of the appliance (22 screws of the intake plate and 2 rear screws of the collar);
  - b) Exhaust collar (8 screws).

NOTE: The gaskets are glued to the engine or the intake plate; it is not necessary to separate them from the parts they are attached to. However, if they need to be manipulated, **BE CAREFUL not to damage them because their material is fragile.**
2. Re-install through the vent opening at the rear of the firebox in the reverse order in which you took the parts out.



## Convert for Co-linear Applications (Rear Outlet ONLY) (if necessary)

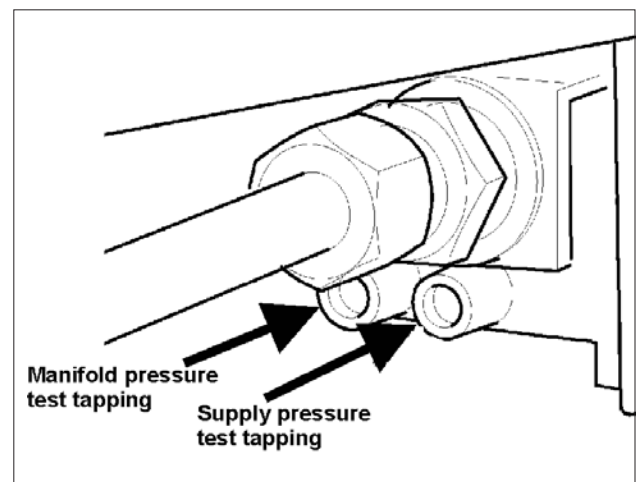
For conversion of rear outlet collar to co-linear (two 3-inch pipes) rear venting, refer to instructions packaged with the 556CLA Co-linear Adapter.

**NOTE:** Co-linear venting may only be installed into solid-fuel burning fireplaces and chimneys.

## Connect Gas Supply

- The gas supply inlet connection is a 3/8 inch NPT female connector. For detailed location of this connector see the drawing on page 18. If a circulating fan or isolating valve is to be installed, adjust the routing of the gas line to suit.
- Use only new black iron or steel pipes or copper tubing if acceptable—check local codes. *Note that in USA, copper tubing must be internally tinned for protection against sulfur compounds.*
- Unions in gas lines should be of ground joint type.
- The gas supply line must be sized and installed to provide a supply of gas sufficient to meet the maximum demand of the appliance without undue loss of pressure.
- Sealant used must be resistant to the action of all gas constituents including LP gas. Sealant should be applied lightly to male threads to ensure excess sealant does not enter gas lines.
- The supply line should include a **manual shut-off valve** and **union** to allow the appliance to be disconnected for servicing.
- Pressure test the supply line for leaks.
- **The appliance and its individual shut-off valve must be disconnected from the gas supply piping system during any pressure testing of that system at test pressures in excess of 1/2 psig (3.5 kPa).**
- **The appliance must be isolated from the gas supply piping system by closing its individual manual shut-off valve during any pressure testing of the gas supply piping system at test pressures equal to or less than 1/2 psig (3.5 kPa).**
- Failure to either disconnect or isolate the appliance during pressure testing may result in regulator or valve damages and void the warranty. Consult your dealer in case of damages.
- The minimum supply pressure is given in the *Specifications* section of this manual—page 18.
- All piping and connections must be tested for leaks after installation or servicing. All leaks must be corrected immediately.
- When testing for leaks:
  - Make sure that the appliance is turned off.

- Open the manual shut-off valve.
- Test for leaks by applying a liquid detergent or soap solution to all joints. Bubbles forming indicate a gas leak.
  - **Never use an open flame to check for leaks.** Correct any leak detected immediately.
- The pressure test tapping locations are shown in the figure below. A built-in non-adjustable regulator controls the burner manifold pressure. The correct pressure range is shown in the table in *Specifications* section of this manual on page 18. The pressure check should be made with the burner alight and at its highest setting. See *Lighting Instructions* section on page 15 for full operating details.



## Install Ceramic Logs

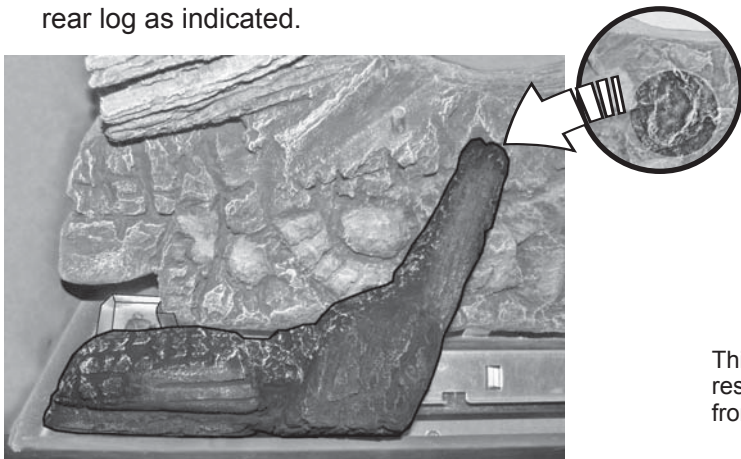
Unpack the ceramic logs very carefully to avoid damaging their fragile material. Install the logs as shown below. **Please note that the position of the logs is critical to insure the good performance of the appliance.**

1. Place the rear log on the sheet metal support. Pull it forward until the notch in the underside of the log sits against the front edge of the sheet metal support. Slide the log towards the left hand side until the notch in the log touches the right angled return edge of the pilot shield as indicated.

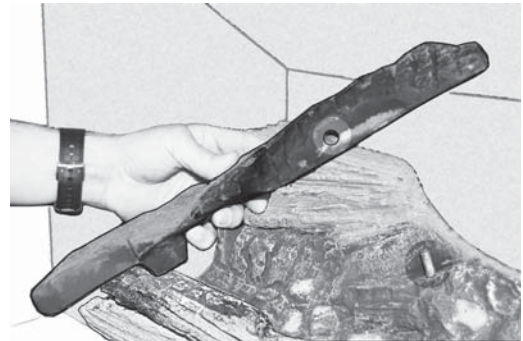


Rear log pushed to the left abuts the pilot shield

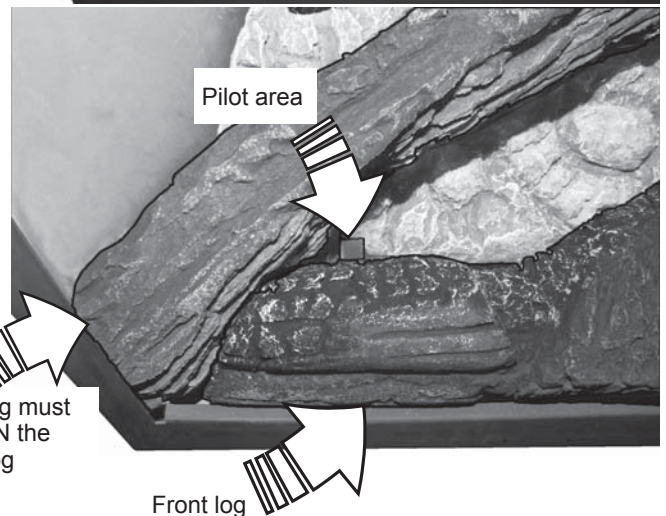
2. Place the front left log on the burner. Slide it towards the left until its narrow end rests in the notch of the rear log as indicated.



3. Place the top left log on the pin of the rear log. The bottom of the log rests on the left side end of the front left log just installed.



**Note:** Make sure the lower end of the top log rests on the front log as indicated and does not fall below in the firebox.

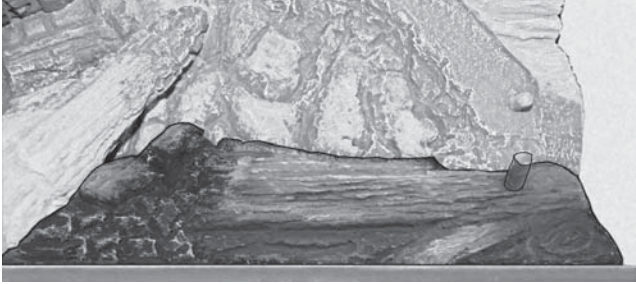


This log must rest ON the front log

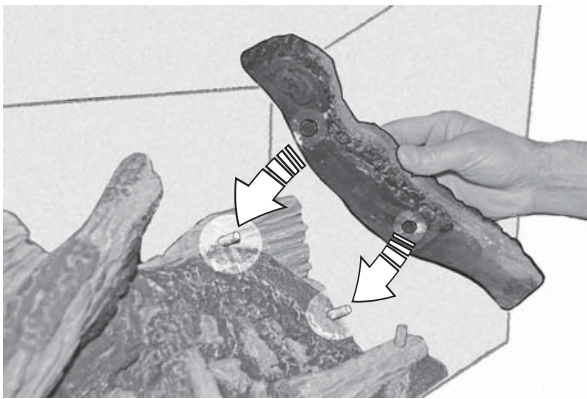
Front log

# Installation

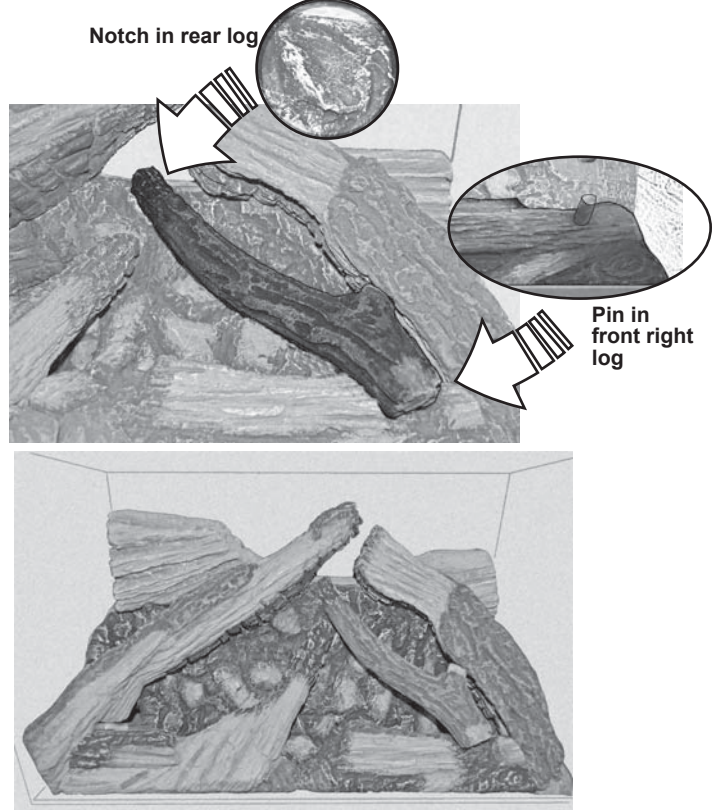
- Place the front right log on the burner and slide it to the left against the front left log.



- Locate the top right log on the two pins on the right side of the rear log. Ensure a tight fit against the flat area around the pins in the rear log.



- Place the lower end of the center right log onto the pin on the front right log. Rest the narrow end in the notch into the rear log.



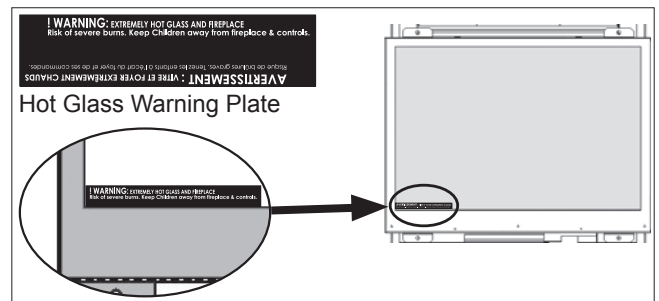
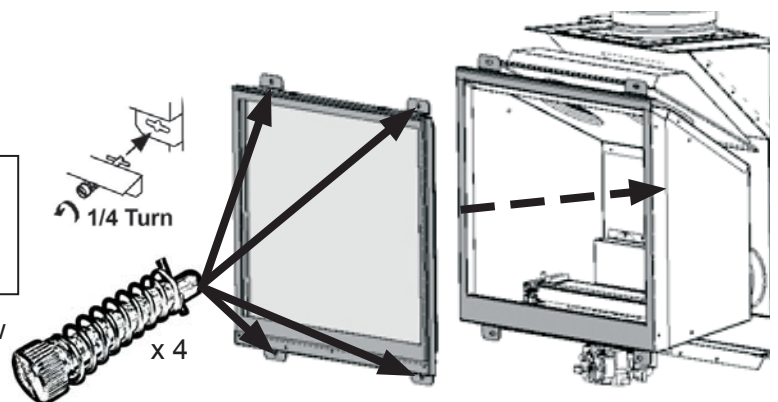
## Refit and Check Window

To refit the window:

- Place it on the firebox frame and hold it in place while pushing and turning its fastening studs 90 degrees.

**IMPORTANT:** To ensure a safe operation, verify that the bolts are hooked properly to the window tabs; then, pull out the top of the window and release it to insure the springs return it.

- Then, apply light hand pressure against the window frame sides to bed-in the window seal.
- If the **Hot Glass Warning** plate has been removed from the front lower corner of the window, reinstall it by sliding it between the glass and the frame as indicated.






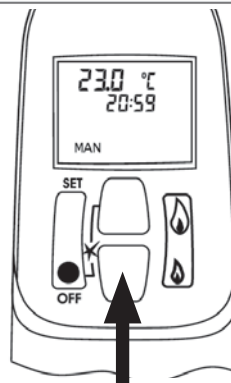
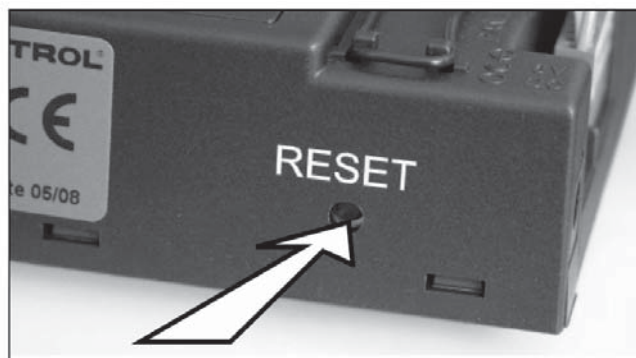
## Installation

### Synchronize Remote Control

The receiver and the handset of the remote control system must be initially synchronized before the first use.

1. Insert alkaline batteries in the remote control receiver and handset. The receiver is located left of the control valve under the burner module.
2. With a sharp object, press and hold the receiver's reset button until you hear one short and one long beeps. After the second beep, release the reset button.
3. Within the subsequent 20 seconds, press the small flame button (  ) on the remote handset until you hear two short beeps confirming the synchronization is set.

This is a one time setting only and is not required when changing the batteries in the remote receiver. The remote control system is now ready to use.



### Check Operation

Turn the fireplace flame up and down using the remote control to confirm that the full range of inputs is achieved—see the remote control operation instructions on pages 10–14.

### Adjust Aeration (if necessary)

Light the fire and allow the unit to warm up for 10–15 minutes to evaluate the flame picture. The burner is equipped with an adjustable shutter to control primary aeration. See the figures below. The shutter is factory-set to an aeration gap which will give optimum performance for the vast majority of installations.

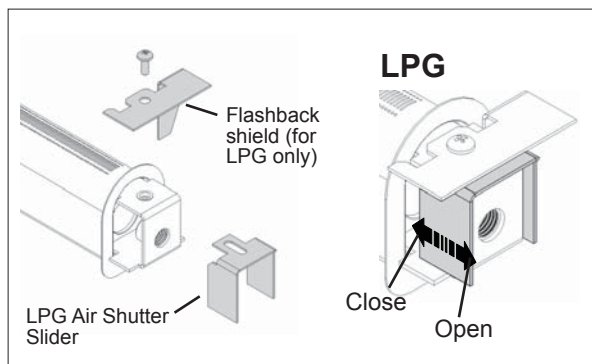
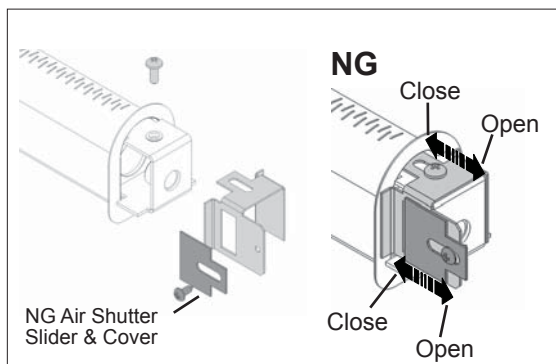
In a few unusual installations, the flame picture may be improved by adjusting the aeration. The need for adjustment should be determined only by operating the appliance with the ceramic logs and window installed.

**Increasing aeration** will cause the flames to appear more transparent and blue making the ceramic logs glow more.

**Decreasing aeration** will cause the flames to appear more yellow or orange making the ceramic logs glow less.

**Too little aeration may result in black carbon forming and dropping into the firebox.**

### Air Shutter



## Install Front and Barrier Screen

When installing the front of the stove make sure you install as well the barrier screen provided with the cast stove body.

Show the customer how to remove the barrier screen and how to access the controls.

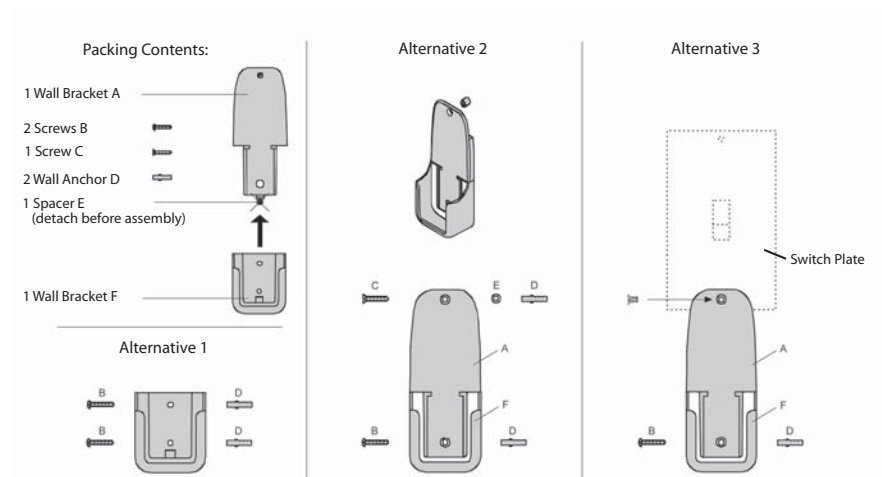
Follow the instructions provided with the stove cast body and leave those instructions behind for the customer's further reference.

## Install Handset Wall Holder

The remote control kit for this fireplace comes complete with a wall-mounted holder. This holder is not required in all installations but is provided as an optional feature for those customers who wish to mount the remote handset to the wall. To install the holder to the wall, find a convenient location and use the hardware provided with the kit.

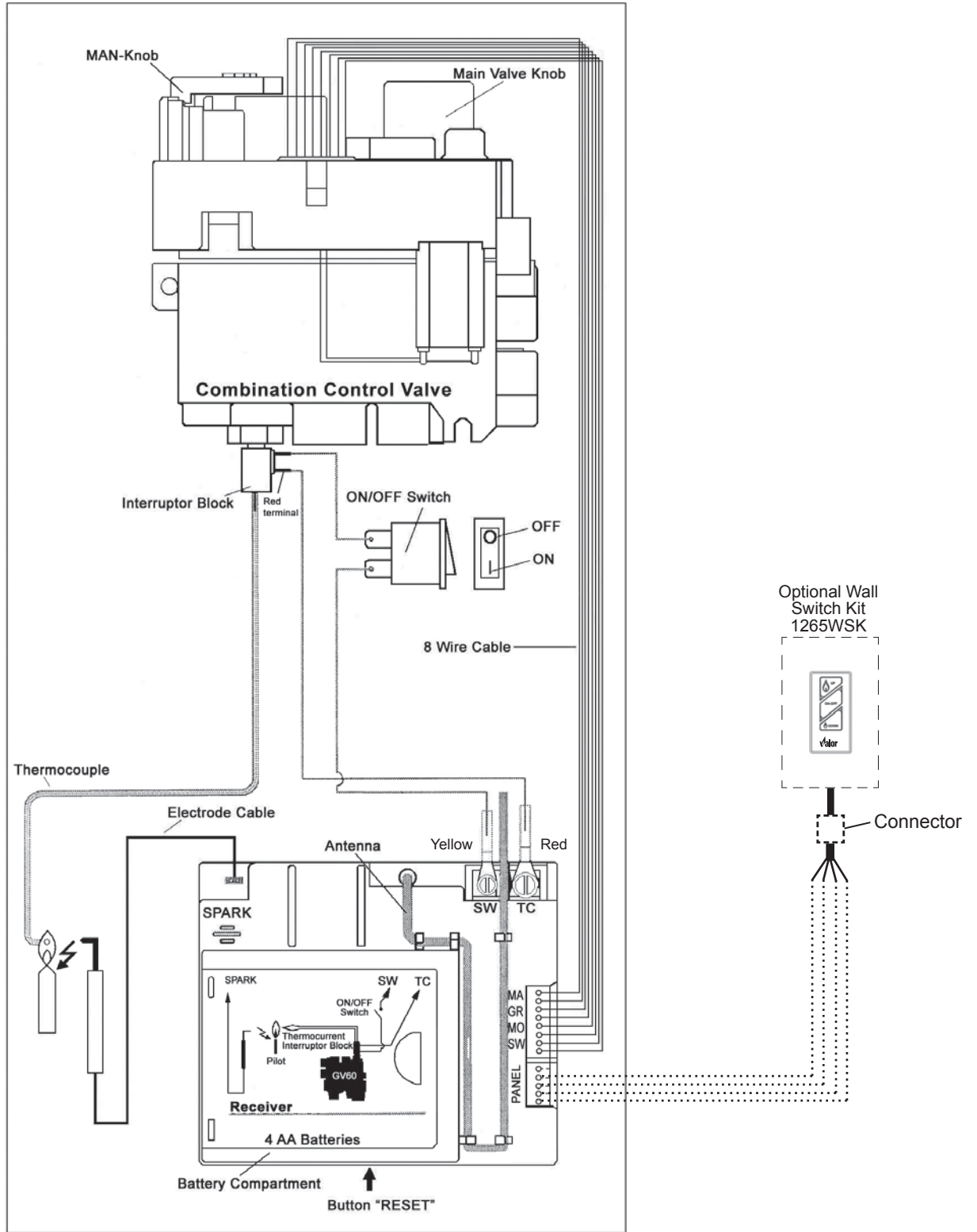
See the diagram for required hardware and configurations. Note that the holder can be installed at the base of a light switch plate.

**IMPORTANT:** The location of the remote control handset is important to assure proper temperature regulation. To obtain a constant temperature, we recommend that the handset should be between 3 and 15 feet away from the appliance **but not directly above it**. We also advise that the handset should be located away from any other heat source and not in direct sunlight as this may affect the temperature sensor located in the remote handset.




# Wiring Diagram

**QUALIFIED  
INSTALLER**



**GV60 Wiring Diagram**

## Approved Venting Components

<b>Approved Direct Vent Suppliers for Valor Models 530<sup>6</sup>, 534, 650 and MF28</b>										
 <b>Venting Parts Description</b>		<b>Venting Parts Code / availability by Manufacturer</b>								
		<b>DURA-VENT</b>	<b>SELKIRK</b>	<b>ICC EXCEL DIRECT</b>	<b>SECURE VENT</b>	<b>RLH INDUSTRIES</b>	<b>AMERIVENT</b>	<b>MILES INDUSTRIES</b>	<b>BDM</b>	
<b>Termination Caps</b>	<b>Horizontal</b>	Standard Co-axial	46DVA-HC	4DT-HC	TM-4HT	—	—	4DHC round	658DVK	940160
		Deluxe Co-axial	—	—	TM-4DHT	—	—	4DHCS square	—	940160
		High Wind Co-axial	—	—	—	SV4CHC	—	—	—	—
	<b>Vertical</b>	Standard Co-axial	46DVA-VC	4DT-VC	TM-4VT	—	HSDV4658-1313	4DVC	—	940264
			4DH-1313	940364						
			—	940206LP						
		High Wind Co-axial	46DVA-VCH	—	—	SV4CGV	—	—	—	—
		Extended Co-axial	46DVA-VCE	—	—	—	—	—	—	—
		Co-linear	—	—	—	3PDVCV	HS-C33U-99	HCL-99-33	559CLT	940033B
							HS-C33F-1313	HCL-913-33		940034B
Snorkel, 14" Rise	—	—	—	—	—	—	HCL-1313-33	720SWK <sup>6</sup>	940033HWS	
							HCL-1313-33		940033RD	
Snorkel, 36" Rise	46DVA-SNK14	4DT-ST14	TM-4ST14	—	—	—	4D14S	—	94040614	
Snorkel, 36" Rise	46DVA-SNK36	4DT-ST36	TM-4ST36	—	—	—	4D36S	—	94040636	
<b>Vent Adapters / Couplers</b>	Universal Adapter 3" Flex Coupler	2150	—	TM-CFAA3	—	—	—	—	95090390	
	Valor Adapter	817VAK	—	—	—	—	4DSC-V	—	—	
	Co-linear Flex Connector	46DVA-ADF	—	—	—	—	—	—	—	
	Co-axial-to-Co-linear Adapter	46DVA-GCL	—	TM-4CAA	—	—	4DCAB33	556CLA	940106433	
	Co-linear-to-Co-axial Adapter	46DVA-GK	—	TM-4CTA	—	—	4DCAT33	—	—	
<b>Aluminum Flexible Liner</b>	3" or 4" diameter		NOTE: 2-ply liner approved to CAN/ULC S635 suitable for venting gas appliances. As manufactured by Z-Flex, Flexmasters or others.							
			2280 Series	3" ACFL	—	—	—	3AFL-35	—	952703
<b>Adjustable Pipe Length 4" x 6-5/8"</b>	4" to 10"	Galvanized	—	4DT-ADJ	—	—	—	4D7A or 4D7AB (3" to 5")	—	94610608 (4" to 8-1/2")
		Black	—	4DT-ADJ(B)	—	—	—	—	—	—
	1-1/2" to 6"	Galvanized	—	—	—	SV4LA	—	4D12A or 4D12AB (3" to 10")	—	94610616 (4" to 16")
		Black	—	—	—	SV4LBA	—	—	—	—
	1-1/2" to 12"	Galvanized	—	—	TC-4DLT	SV4LA12	—	4D16A or 4D16AB (3" to 14")	—	—
		Black	—	—	TC-4DLTB	SV4LBA12	—	—	—	—
	1-1/2" to 24"	Galvanized	—	—	—	SV4LA24	—	4D26A or 4D26AB (3" to 24")	—	—
		Black	—	—	—	SV4LBA24	—	—	—	—
<b>DV 45° Elbows</b>	Galvanized		46DVA-E45	—	TE-4DE45	—	—	4D45L	—	94620645
	Black		46DVA-E45B	—	TE-4DE45B	SV4EBR45	—	4D45LB	—	94620645B
	Galvanized Swivel		—	4DT-EL45	—	SV4E45	—	—	—	—
	Black Swivel		—	4DT-EL45(B)	—	SV4EB45	—	—	—	—
<b>DV 90° Elbows</b>	Galvanized		46DVA-E90	—	TE-4DE90	—	—	4D90L	—	—
	Black		46DAV-E90B	—	TE-4DE90B	SV4EBR90	—	4D90LB	—	—
	Galvanized Swivel		—	4DT-EL90	—	SV4E90	—	—	—	94620690
	Black Swivel		—	4DT-EL90(B)	—	SV4EB90	—	—	—	94620690B

# Approved Venting Components

**QUALIFIED  
INSTALLER**

Venting Parts Description			Venting Parts Code / availability by Manufacturer							
			DURA-VENT	SELKIRK	ICC EXCEL DIRECT	SECURE VENT	RLH INDUSTRIES	AMERVENT	MILES INDUSTRIES	BDM
Pipes 4" x 6 5/8" (ID x OD)	6" long	Galvanized	46DVA-06	4DT-06	TC-4DL6	SV4L6	—	—	—	94610606
		Black	46DVA-06B	4DT-06(B)	TC-4DL6B	SV4LB6	—	—	—	90410606B
	7" long	Galvanized	—	—	—	—	—	4D7	—	—
		Black	—	—	—	—	—	4D7B	—	—
	9" long	Galvanized	46DVA-09	4DT-09	—	—	—	—	—	94610609
		Black	46DVA-09B	4DT-09(B)	—	—	—	—	—	94610609B
	12" long	Galvanized	46DVA-12	4DT-12	TC-4DL1	SV4L12	—	4D12	—	94610612
		Black	46DVA-12B	4DT-12(B)	TC-4DL1B	SV4LB12	—	4D12B	—	94610612B
	18" long	Galvanized	46DVA-18	4DT-18	—	—	—	—	—	94610618
		Black	46DVA-18B	4DT-18(B)	—	—	—	—	—	94610618B
	24" long	Galvanized	46DVA-24	4DT-24	TC-4DL2	SV4L24	—	4D2	—	94610624
		Black	46DVA-24B	4DT-24(B)	TC-4DL2B	SV4LB24	—	4D2B	—	94610624B
	36" long	Galvanized	46DVA-36	4DT-36	—	SV4L36	—	4D3	—	94610636
		Black	46DVA-36B	4DT-36(B)	—	SV4LB36	—	4D3B	—	94610636B
	48" long	Galvanized	46DVA-48	4DT-48	TC-4DL4	SV4L48	—	4D4	—	94610648
		Black	46DVA-48B	4DT-48(B)	TC-4DL4B	SV4LB48	—	4D4B	—	94610648B
Flashings	Roof Flashing 0/12-6/12		46DVA-F6	4DT-AF6	TF-4FA	SV4FA	—	4DF (0/12-5/12)	—	949606012
	Roof Flashing 7/12-12/12		46DVA-F12	4DT-AF12	TF-4FB	SV4B	—	4DF12 (6/12-12/12)	—	949606712
	Flat Roof Flashing		46DVA-FF	—	TF-4F	SV4F	—	—	559FSK	949606001
	Masonry Flashing		—	—	TF-4MF	—	—	—	—	—
Various Venting System Parts	Wall Thimble		46DVA-WT	4DT-WT	TM-4WT	SV4RSM	—	4DWT	—	949064U
	Storm Collar		46DVA-SC	4DT-SC	TM-SC	SV4AC	—	4DSC	—	94960608
	Decorative Plate		46DVA-DC	4DT-CS	TM-4TR	SV4PF	—	4DFPB	—	94940612
	Cathedral Ceiling Support		46DVA-CS	4DT-CCS	—	—	—	4DRSB	—	949506KT
	Ceiling Firestop / Floor Support		46DVA-FS	4DT-FS	TM-CS	SV4BF SV4SD	—	4DFSP	—	94980612
	Attic Radiation Shield / Firestop		—	—	TM-4AS	—	—	4DAIS12 (12") 4DAIS36 (36")	—	94930620A
	Wall Strap		46DVA-WS	4DTWS	TM-WS	—	—	4DWS	—	949164
	Vinyl Siding Standoff		46DVA-VSS	4DT-VS	TM-VSS	SV4VS	—	4DHVS	—	94800615S
	Elbow Strap / Offset Support		46DVA-ES	4DT-OS	TM-OS	—	—	—	—	949264
	Terminal Guard		46DVA-WG	—	—	—	—	—	845TG	940164SHRD

- Notes:**
1. All listed above co-axial pipes and fittings require Valor 817VAK Adapter Kit to fit Valor's smooth collars (Valor adapter 4DSC-V by American Metal Products may also be used).
  2. Follow instructions supplied with each manufacturer's components.
  3. Unless otherwise specified, all the parts and assemblies from the above table are to be used with 4" x 6-5/8" pipes.
  4. Do not mix components from different vent manufacturers.
  5. Termination caps manufactured by RLH Industries or American Metal Products are from Homestyle Chimney Collection and can be ordered in one of the following finishes: a) aluminium; b) black powder coated; c) solid copper.
  6. The 720SWK Sidewall Co-Linear Kit can only be installed on the 530 models (logs or rocks only).

# Warranty

If you have a problem with this unit, please contact your dealer or supplier immediately. Under no circumstances should you attempt to service the unit in any way by yourself. The warranties in paragraphs 1 and 2 are provided only to the first purchaser/user of this unit, are not transferable and are subject to the conditions and limitations in paragraphs 3, 4 and 5. Please review the conditions and limitations carefully and strictly follow their requirements.



## 1. Extended Warranty Coverage

For a period of up to ten (10) years, Miles Industries Ltd., (the “Company”) or its appointed distributor will at its option pay the initial purchaser for the repair of, or will exchange the following parts or components which are found to be defective in material or workmanship under normal conditions of use and service:

Part or Component	Defect Covered	Maximum Warranty Period
Exterior steel casing	Corrosion	10 years
Glass	Loss of structural integrity	10 years
Cast iron parts	Corrosion	10 years
Firebox and heat exchanger	Corrosion (but not discoloration) causing loss of structural integrity	10 years

## 2. Two-Year Parts Warranty

In addition, for two (2) years from the date of purchase, the Company, at its option, can repair or exchange all parts and components not listed above but that are found to have a bona fide defect in material or workmanship under normal conditions of use.

## 3. Conditions and Limitations

- a) The warranty registration card must be completed by the initial owner and returned to the Company within 90 days of purchase.
- b) Installation and maintenance must be performed by an authorized and trained dealer in accordance with the Company’s installation instructions.
- c) This warranty is void where installation of the unit does not conform to all applicable codes including national and local gas appliance installation codes and building and fire codes.
- d) The owner must comply with all operating instructions.
- e) The Company is not responsible for the labor costs to remove defective parts or re-install repaired or replacement parts.
- f) The first purchaser or user of the unit will be responsible for any shipping charges for replacement parts as well as travel time incurred by the dealer to perform the warranty work.
- g) This warranty applies to non-commercial use and service and is void if it is apparent that there is abuse, misuse, alteration, improper installation, accident or lack of maintenance to the unit.
- h) This warranty does not cover damage to the unit through:
  - i) Improper installation, operational or environmental conditions.
  - ii) Inadequate ventilation in the area or competition for air from other household equipment or appliances.
  - iii) Damage due to chemicals, dampness, condensation, or sulphur in the fuel supply lines which exceeds industry standards.
- i) This warranty does not cover glass, log breakage or damage to the unit while in transit.
- j) The Company does not allow anyone to extend, alter or modify this warranty and assumes no responsibility for direct, indirect or consequential damages caused by the unit. State or provincial laws where the first purchaser or user resides may provide specific rights to extend this warranty and, if so, the Company’s sole obligation under this warranty is to provide labor and/or materials in accordance with those laws.

## 4. Discharge of Liability

After two (2) years from the date of purchase, the Company may, at its option, fully discharge all obligations under this warranty by paying to the first purchaser/user the wholesale price of any defective parts.

## 5. No Other Warranty

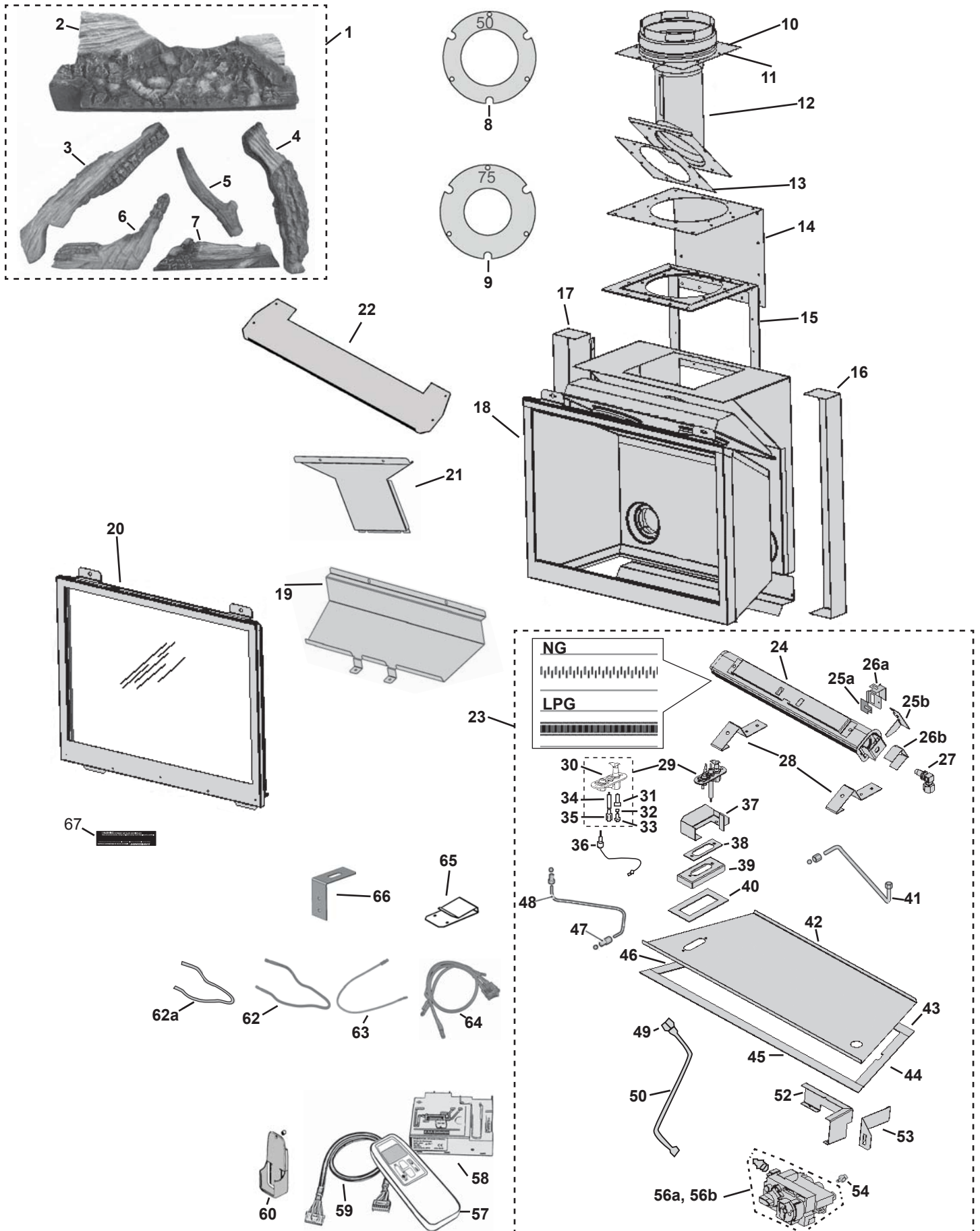
All obligations to repair this unit are defined in this warranty. Some states or provinces may specifically mandate additional warranties on the part of manufacturers, but in the absence of such specific legislation, there is no other warranty or obligation expressed or implied.

## Spare Parts

### Engine Parts

	Description	Part no.		Description	Part no.
1	Log Set Complete	4003804	32	Hooked Olive for Pilot Injector	720A196
2	Rear Log	4003803	33	Olive Nut—Pilot Pipe to Pilot Assembly	420K385
3	Left Top Log	4003796	34	Electrode	720A543
4	Right Top Log	4003797	35	Electrode Retaining Nut	720A200
5	Right Center Log	4003798	36	Thermocouple	4000061
6	Left Front Log	4003800	37	Pilot Shield	4000144
7	Right Front Log	4003801	38	Pilot Gasket	4000139
8	Restrictor 50 (2)	4000949	39	Pilot Mount	4000138
9	Restrictor 75 (2)	4000950	40	Pilot Mount Gasket	4000140
10	Dura-Vent Intake Collar	4000925	41	Pipe—Valve to Main Burner (incl. olive & nuts)	4000065
11	Intake Collar Gasket	4000942	42	Valve Tray	4001627
12	Exhaust Collar Assembly	4000909	43	Rear Gasket	4000642
13	Exhaust Collar Gasket	4000938	44	RH Side Gasket	4000643
14	Intake Plate	4000908	45	Front Gasket	4000641
15	Intake Plate Gasket	4000941	46	LH Side Gasket	4000644
16	R/H Stove Back Corner	4000922	47	Break-off Olive Nut—Pilot Pipe to Valve	220K913
17	L/H Stove Back Corner	4000923	48	Pipe—Valve to Pilot	4000066
18	Firebox Assembly	4000920AH	49	Inlet Connector	220K997
19	Rear Log Support	4001890	50	Inlet Pipe	030A224
20	Window Assembly	4000919	52	Valve Mounting Bracket	4000141
21	Heat Reduction Baffle	4000974	53	Switch Bracket	4001070
22	Top Spar	4000916	54	Thermocurrent Interruptor	4001037
23	Burner Tray Assy NG	4001892S	56a	GV60 Complete Valve NG	4003102
	Burner Tray Assy LPG	4001893S	56b	GV60 Complete Valve LPG	4003115
24	Burner NG	740K189	57	Handset G6R H3T5-ZV (BJ)	4001910
	Burner LPG	740K190	58	Receiver G6R-R3AM-ZV (CP)	4001911
25a	Air Shutter Cover (NG)	4002346	59	Wiring Harness	4001187
25b	Flashback Shield (LPG)	3000371	60	Handset Wall Holder	9000008
26a	Air Shutter Slider (NG)	4002345	62	Ignition Cable	4001039
26b	Air Shutter Slider (LPG)	320B293	62a	Ignition Cable Sleeve	4002244
27	Injector Elbow NG 82-750	4000738	63	Cable Interruptor/Receiver	4001035
	Injector Elbow LP 92-300	9730035	64	Switch with Cable	4001036
28	Burner Mounts (2)	4000132	65	Receiver Clip	4001164
29	Pilot Assembly NG	4000062S	66	Fan Control Bracket	9000946
	Pilot Assembly LPG	4000063S	not shown	Pilot Tube Connector	4001034
30	Pilot Bracket	720A542	67	Hot Glass Warning Plate	4003093
31	Pilot Injector NG—No 35	4002511			
	Pilot Injector LPG—No 27	720A195			

**Spare Parts**





## Thank You ...

For purchasing a Valor by Miles Industries. Your new radiant gas heater is a technical appliance that must be installed by a qualified installer.

*Please fill in the information below. The information provided will be used for customer records only.*



### Fireplace Information

Model Number: MF28  JLN or  JLP

Serial Number:

Date Purchase (yyyy-mm-dd):

Dealer:

### Customer Information

First Name:

Last Name:

### Contact Information

Email:

### Mailing Address

Address:

City:

Province/State:

Postal/Zip Code:

Country:

Cut out page, fill information, and mail to Miles Industries Ltd.

Online Warranty registration at [www.valorfireplaces.com](http://www.valorfireplaces.com)



Tape Shut



Fold here



Postage  
needed

Miles Industries Ltd.  
190 - 2255 Dollarton Highway  
North Vancouver, BC V7H 3B1  
Canada

Online Warranty registration at [www.valorfireplaces.com](http://www.valorfireplaces.com)



*Thank you for choosing a Valor Product*