

Installation Manual



G3.5

Direct Vent Insert
Gas Fireplace
natural gas 700XN
propane gas 700XP

with
AutoFire™

Canadian Patent 2,717,779 Issued October 24 2017

US Patent 10,060,624 Issued August 28 2018

US Patent 10,935,246 Issued March 2 2021

Installer: Leave this manual with the appliance.
Consumer: Retain this manual for future reference.

⚠ WARNING:
FIRE OR EXPLOSION HAZARD
Failure to follow safety warnings exactly could result in serious injury, death, or property damage.

Do not store or use gasoline or other flammable vapors and liquids in the vicinity of this or any other appliance.

WHAT TO DO IF YOU SMELL GAS

- Do not try to light any appliance.

- Do not touch any electrical switch; do not use any phone in your building.
- Leave the building immediately.
- Immediately call your gas supplier from a neighbor's phone. Follow the gas supplier's instructions.
- If you cannot reach your gas supplier, call the fire department.

Installation and service must be performed by a qualified installer, service agency or the gas supplier.

⚠ DANGER



Hot glass will cause burns.

Do not touch glass until cooled.

Never allow children to touch glass.

A barrier designed to reduce the risk of burns from the hot viewing glass is provided with this appliance and must be installed for the protection of children and other at-risk individuals.

This appliance may be installed in an after-market permanently located, manufactured (mobile) home where not prohibited by local codes. This appliance is only for use with the type of gas indicated on the rating plate. This appliance is not convertible for use with other gases, unless a certified kit is used.

INSTALLER: Leave this manual with the appliance.

CONSUMER: Retain this manual for future reference.

Massachusetts:

The piping and final gas connection must be performed by a licensed plumber or gas fitter in the State of Massachusetts. Also, see Carbon Monoxide Detector requirements in the fireplace installation manual.

⚠ WARNING

This product can expose you to chemicals including Benzene, which is known to the State of California to cause cancer and birth defects or other reproductive harm. For more information go to www.P65Warnings.ca.gov.

Note: Natural gas, in its original state, contains Benzene.

This manual contains instructions to install the **ENGINE ONLY**. A trim kit is **REQUIRED** to complete the installation. A barrier screen is provided with the trim kit. **Refer to the manual supplied with the trim for installation.**

This appliance is a domestic room-heating appliance. It must not be used for any other purposes such as drying clothes, etc.

This appliance is suitable for installation in a bedroom or bed sitting room.

Ce guide est disponible en français sur demande.



We recommend a US Certified National Fireplace Institute (NFI) specialist install our gas hearth products.



The information contained in this manual is believed to be correct at the time of printing. Miles Industries Ltd. reserves the right to change or modify any information or specifications without notice. Miles Industries Ltd. grants no warranty, implied or stated, for the installation or maintenance of your heater, and assumes no responsibility for any consequential damage(s).

© Copyright Miles Industries Ltd., 2020. All rights reserved.
Designed and manufactured for Miles Industries Ltd.

Welcome to Valor®

This appliance has been professionally installed by:

Dealer Name: _____

Phone: _____

Please read this manual BEFORE installing and operating this appliance.

Fireplace Safety	4
Specifications	6
Kits & Accessories	7
Dimensions	8
Installation Planning	9
Clearances.....	9
Finishing Materials	9
Before Installation	10
Concept.....	11
Venting	12
Concept.....	12
Preparation	13
Existing Fireplace Preparation.....	13
Installation	14
Window and Fan.....	14
Venting.....	15
Gas Supply.....	16
Liners	18
Install Liner Panels	18
Fuel Beds	19
Install Driftwood Kit 700XDWK.....	19
Install Decorative Glass Murano 700XDGM	20

Window Re-Installation & Checking	21
Remote Control Pairing.....	22
Check Operation and Aeration.....	23
Accessories	24
Install Side Shrouds	24
Install Front, Trim and Barrier Screen.....	24
Remote Control Holder	25
GV60 Wiring Diagram	26
Approved Venting Components	27
Appendix A—Lighting Instructions	28
Appendix B—Remote Control Operation	29
Appendix C—Spare Parts	33

Fireplace Safety

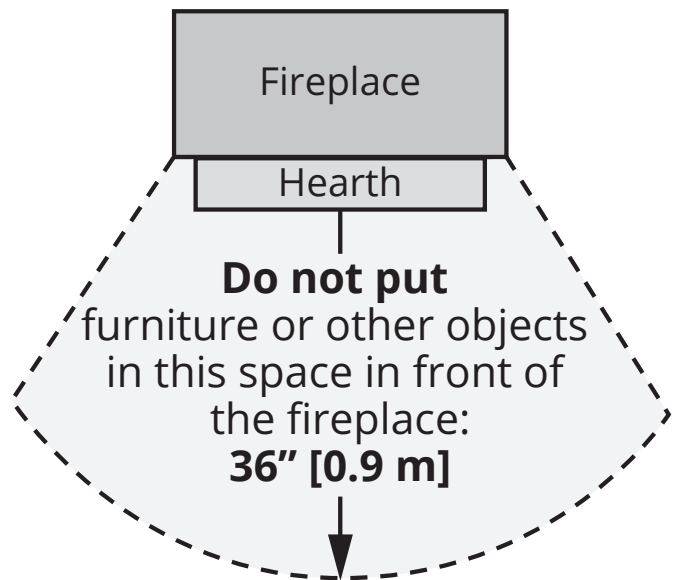
This manual contains very important information about the safe installation and operation of the fireplace. Read and understand all instructions carefully before installing and operating the fireplace. Failure to follow these instructions may result in possible fire hazard and will void the warranty.

Replacement manuals are available by contacting the Valor Customer Service at 1-800-468-2567, or by visiting valorfireplaces.com.

WARNING: Extremely Hot!

Heat and flammability

- Some parts of the fireplace are extremely hot, particularly the glass window. Use the barrier screen provided or a gate to reduce the risk of severe burns.
- The glass windows can exceed 500°F at full capacity.
- Always keep the appliance clear and free from combustible materials, gasoline, and other flammable vapors and liquids.
- Be aware of hot wall surfaces! The wall directly above the fireplace can get very hot when the fireplace heats. Although safe, it may reach temperatures in excess of 200°F (93°C) depending on choice of optional accessories. Do not touch!
- Be aware of hot hearth/floor surfaces! Any projections directly around the fireplace can get very hot when the fireplace heats. Although safe, they may reach temperatures in excess of 200°F (93°C) depending on elevation of hearth. Be careful of touching these! Temperature of projection surfaces will be reduced when barrier screens are installed.
- Some materials or items, although safe, may discolor, shrink, warp, crack, peel, and so on because of the heat produced by the fireplace. Avoid placing candles, paintings, photos and other combustible objects sensitive to heat or furniture within 36 inches (0.9 m) around the fireplace.
- Solid wood flooring in front of the fireplace (if allowed) may shrink during the heating season due to heat.
- Any safety screen, guard, or barrier removed for servicing an appliance must be replaced prior to operating the appliance



- Due to its high temperatures, the appliance should be located out of traffic areas and away from furniture and draperies.
- Children and adults should be alerted to the hazards of high surface temperature and should stay away to avoid burns or clothing ignition.
- Young children should be carefully supervised when they are in the same room as the appliance. Toddlers, young children, and others may be susceptible to accidental contact burns. A physical barrier is recommended if there are at-risk individuals in the house. To restrict access to a fireplace or stove, install an adjustable safety gate to keep toddlers, young children, and other at-risk individuals out of the room and away from hot surfaces.
- A barrier designed to reduce the risk of burns from the hot viewing glass is provided with this appliance and shall be installed for the protection of children and other at-risk individuals
- Clothing or flammable material should not be placed on or near the appliance.

Fireplace Safety

Glass window



WARNING

Do not operate this appliance with the glass front removed, cracked, or broken. Replacement of the glass front should be performed by a licensed or qualified service person. Do not strike or slam the glass front.

- The glass front assembly must be in place and sealed before the unit can be placed into safe operation.
- The glass front assembly must only be replaced as a complete unit, as supplied by the fireplace manufacturer. No substitute material may be used.
- Do not use abrasive cleaners on the glass front assembly. Do not attempt to clean the glass when it is hot.

Venting

- This unit must be used with a vent system as described in this manual. No other vent system or components may be used.
- Never obstruct the flow of combustion and ventilation air. Keep the front of the appliance clear of all obstacles and materials for servicing and proper operation.
- This gas fireplace and vent assembly must be vented directly to the outside and must never be attached to a chimney serving a separate solid fuel burning appliance. Each gas appliance must use a separate vent system. Common vent systems are prohibited.

Intended use

- This appliance is designed and approved as a supplemental heater and provides the potential for most energy conservation when used while attended. The use of an alternate primary heat source is advisable.
- This unit is not for use with solid fuel.
- Do not use this heater as a temporary source of heat during construction.

Installation and Servicing

- Installation and repair should be done by a qualified service person. The appliance should be inspected before use and at least annually by a professional service person. More frequent cleaning might be required due to excessive lint from carpeting, bedding material, et cetera. It is imperative that control compartments, burners, and circulating air passageways of the appliance be kept clean.

Specifications

Approval & Codes

This appliance is certified to ANSI Z21.88/CSA 2.33 American National Standard / CSA Standard for Vented Gas Fireplace Heaters for use in Canada and USA, and to CGA 2.17-91 High Altitude Standard in Canada. This appliance is for direct vent installations.

This appliance complies with CSA P.4.1-15 Testing method for measuring annual fireplace efficiencies.

The installation must conform to local codes or, in the absence of local codes, with the National Fuel Gas Code, ANSI Z223.1/NFPA 54 or the Natural Gas and Propane Installation Code CAN/CGA-B149.1. Only qualified licensed or trained personnel should install this appliance.

This appliance must be electrically grounded in accordance with local codes, or, in the absence of local codes, with the National Electrical Code, ANSI/NFPA 70 or the Canadian Electrical Code, CSA C22.1.

Ratings

Model	700XN	700XP
Gas	Natural	Propane
Altitude (Ft.)*	0-4,500 feet*	
Input Maximum (Btu/h)	24,000	24,000
Input Minimum (Btu/h)	13,000	13,000
Manifold Pressure (in w.c.)	3.0"	9.5"
Minimum Supply Pressure (in w.c.)	5"	11"
Maximum Supply Pressure (in w.c.)	10"	14"
Main Burner Injector Marking	750	260
Pilot Injector Marking	51	30
Min. Rate Bypass Screw	185	125

*High Altitude Installations

Input ratings are shown in BTU per hour and are certified without deration for elevations up to 4,500 feet (1,370 m) above sea level.

For elevations above 4,500 feet (1,370 m) in USA, installations must be in accordance with the current ANSI Z223.1 and/or local codes having jurisdiction. Heating value of gas in some areas is reduced to compensate for elevation—consult your local gas utility to confirm.

For installations at elevations above 4,500 feet (1,370 m) in Canada, please consult provincial and/or local authorities having jurisdiction.

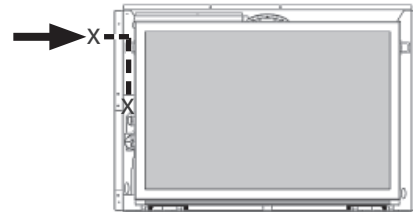
Supply Gas

Heater engine 700XN uses natural gas.

Heater engine 700XP uses propane gas.

The supply pressure must be between the limits shown in the *Ratings* section.

The supply connection is 1/2" NPT female and located on the left side of the control valve. The gas line entry point is on the the upper left hand side of the fireplace. See *Gas Supply Installation* section for details.



Electrical

The 700 is designed to run on battery power and does not require an electrical source to operate as a heater. However, if the appliance is fitted with a fan, a grounded power source is required.

Conversion Kits

The 700 is supplied as natural gas or propane gas and is field convertible between fuels. See instructions packaged with the conversion kits for further information.

Floor/Hearth

This appliance is approved for installation into existing solid-fuel burning fireplaces only. Combustible material such as plywood and so on may be used for leveling and shimming beneath the unit. This appliance does not require a hearth other than to support the weight of certain fronts.

Note: This appliance is designed and approved as a supplemental heater and provides the potential for most energy conservation when used while attended. The use of an alternate primary heat source is advisable.

Kits & Accessories

Required Kits

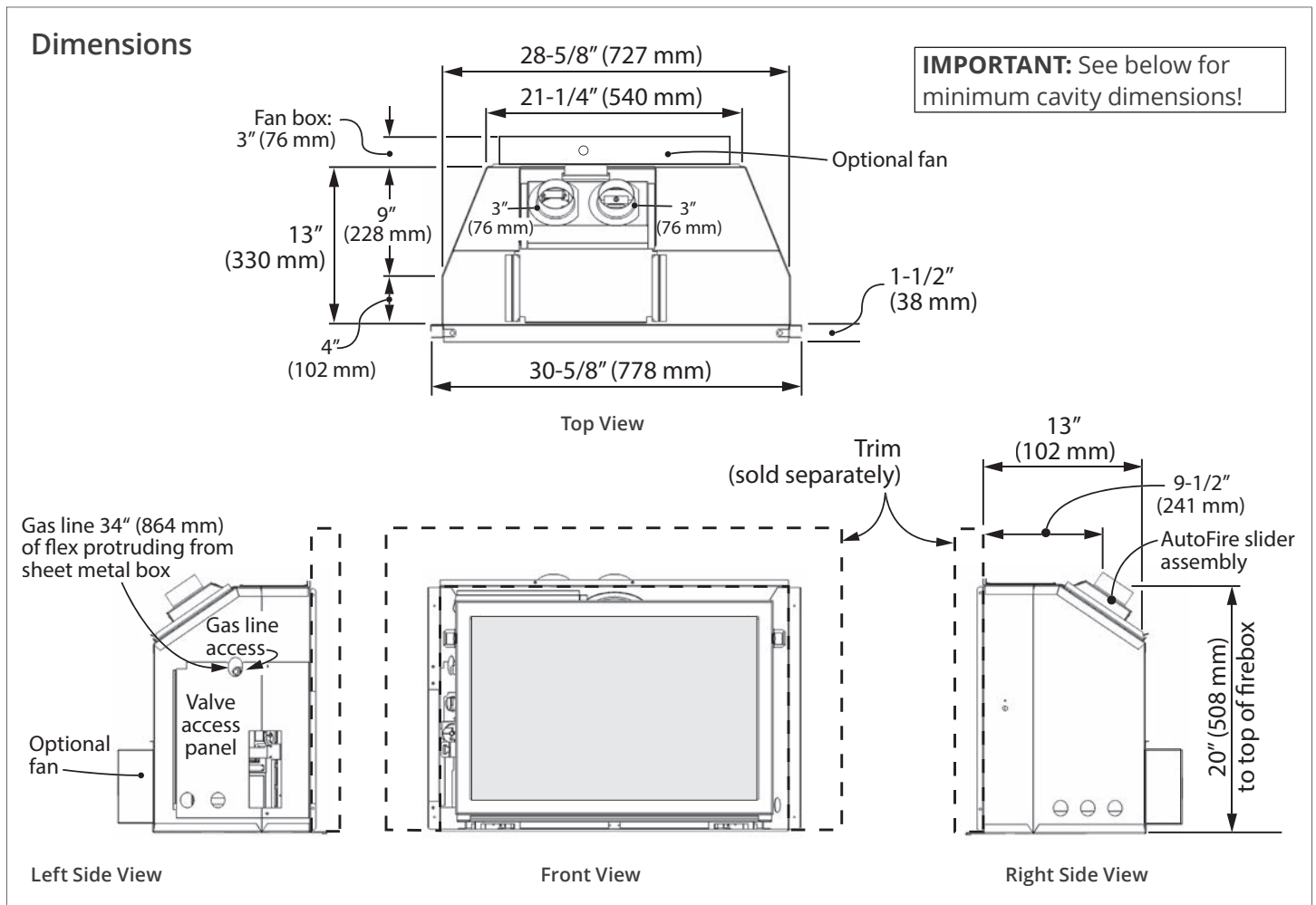
Fuel Beds (choose one)		
700XDWK	Driftwood Log Set	
700XDGM	Murano Glass	
Liners (choose one)		
705LSLV3	Ledgestone Panels	
706RGL	Reflective Glass Panels	
707FBL	Fluted Black Panels	
708VRL	Valor Red Brick Panels	
Fronts (choose one)		Barrier Screen
709FT	Floating Trim Kits 3 Sided	4003381
709FTB	Black	
709FTP	Polished	
709FTV	Vintage iron	
709FTZ	Bronze	
713FF	Floating Trim Kits 4 Sided	4003381
713FFB	Black	
713FFV	Vintage iron	
716EC	Edgemont Craftsman Fronts	4007965AZ
716ECBR	Bronze	
716ECPW	Pewter	
716ECCB	Champagne Brass	
721ED	Edgemont Fronts	4003834
721EDN	Polished	
721EDV	Vintage iron	
721EDZ	Bronze	
Backing Plates (choose one)		
717BPB (3-sided floating)	36-1/4" W x 26-5/8" H	Required backing plates black for 716 & 721
717BPBF (3-sided flat)	37-3/8" W x 27-1/4" H	
719BPB (4-sided floating)	36-1/4" W x 29-1/4" H	

Optional Accessories

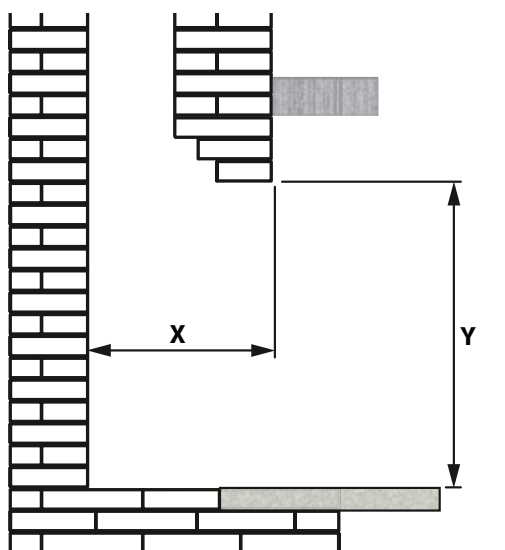
Riser Trims (choose one)	
725RTB 793RTB	Riser trim black for 3 sided fronts
793RTV	Riser trim vintage iron for 3 sided fronts
Backing Plates (choose one)	
710BPB 714BPB	Optional backing plates black for 709 & 713
Gas Conversion Kits	
700XNGK	Conversion Kit to Natural Gas
700XPGK	Conversion Kit to Propane Gas
Other Accessories	
795CFKV2	Circulating Fan Kit
1265WSK	Wall Switch Kit
RBWSK	Remote Battery & Wall Switch Kit
Hearth Gate	Hearth gates such as Cardinal's VersaGate are available at retail stores carrying safety products for children.

Information accurate at the time of printing and subject to change without notice.

Dimensions



Cavity



Minimum Cavity Dimensions

Check that masonry step does not interfere with install dimensions or vent pipe.

If mantel is combustible, see the following section for allowable clearances.

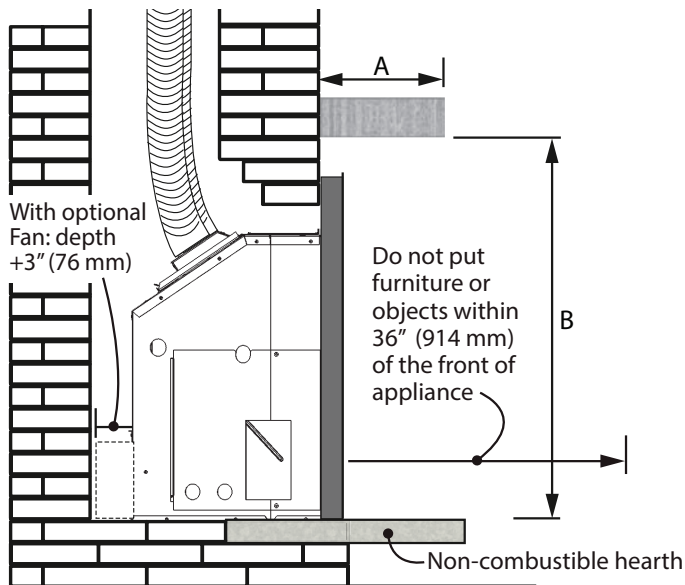
A hearth is not required, although any hearth/floor within 4" of the bottom of the unit must be non-combustible.

Minimum Dimension	With 717BPBF (Flat Plate)	With All Other (Floating) Backing Plates
Depth (X)	14-1/2" [368 mm]	13-1/2" [343 mm]
Depth with fan (X)	17-1/2" [445 mm]	16-1/2" [420 mm]
Height (Y)	22-3/8" [521 mm]	20-1/2" [521 mm]
Width (not shown)	30-7/8" [784 mm]	28-7/8" [734 mm]

Installation Planning

Clearances

Combustible Mantel—Left Side View



Combustible Mantel Clearances

Mantel Pro- jection A	0-6" (0-152 mm)	8" (203 mm)	10" (254 mm)	12" (305 mm)
Mantel Height B*	33" (838 mm)	35" (890 mm)	37" (940 mm)	39" (990 mm)

*Measure taken from the underside of the mantel to finished hearth or surface that the unit is sitting on.

Finishing Materials

Combustible materials: Materials made of or surfaced with wood, compressed paper, plant fibers, plastics, or other material that can ignite and burn, whether flame proofed or not, or plastered or unplastered.

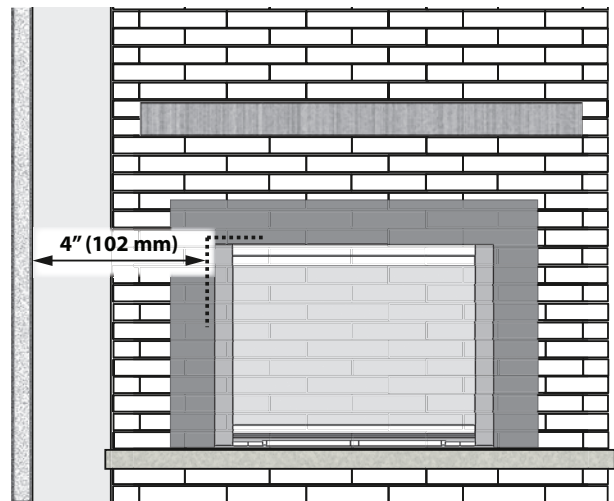
Non-combustible materials: Material which will not ignite and burn. Such materials are those consisting entirely of steel, iron, brick, tile, concrete, slate, glass or plasters, or any combination thereof.

Materials that are reported as passing ASTM E 136, Standard Test Method for Behavior of Materials in a Vertical Tube Furnace at 750 °C

⚠ WARNING

HOT GLASS! The use of a screen in front of the glass is highly recommended particularly in households with children.

Sidewall Clearances



Minimum distance from side of appliance (liner box) to combustible wall: 4" (102 mm).

Floor/Hearth Clearances

Combustible shims/supports may be used beneath the appliance to level or raise the appliance within the existing fireplace cavity.

Combustible flooring/hearths in front of the appliance must be at a minimum of 4" (102 mm) below the bottom of the appliance. The gas insert does not require a hearth.

⚠ WARNING

Some materials or items, although safe, may discolor, shrink, warp, crack, peel, and so on because of the heat produced by the fireplace. Avoid placing candles, paintings, photos, and other items sensitive to heat around the fireplace.

⚠ WARNING

HOT HEARTH / FLOOR! The hearth or floor in front of the fireplace may become very hot when the fireplace heats. Do not use the hearth as a seat or shelf. Solid wood flooring in front of the fireplace (if allowed) may shrink during the heating season due to heat.

Installation Planning

Before Installation



Caution

Only qualified, licensed, or trained personnel should install this appliance.

Installer - READ THIS FIRST!

1. YOU NEED TO KNOW FROM THE HOMEOWNER:
 - What accessories (surround, screen, fan*, etc) will be installed
2. Unpack the appliance, removing all items packed inside and around it. Recycle the packaging.
3. Check that you have everything, using the Pack Content sheet. Also, check that you have:
 - Fuel bed (packed separately)
 - Liner panels (packed separately)
 - Optional accessories (if ordered)
 - Gas conversion kit (if necessary)
 - Venting accessories
 - Electrical accessories (if used)
4. Carefully read the Installer's Checklist included with the fireplace for the installation sequence.

Note

* If installing a fan, you will need to use the remote control to test the fan operation. In this case, put batteries in the handset and the battery holder and set up the remote control.

Electrical connections must be done BEFORE the appliance is placed in its final position, since the connections are done from the back of the appliance.

Installation Planning

Concept

Intended Installation

This appliance may ONLY be installed in an existing unaltered, functioning solid-fuel burning fireplace with a working flue and constructed of non-combustible material.

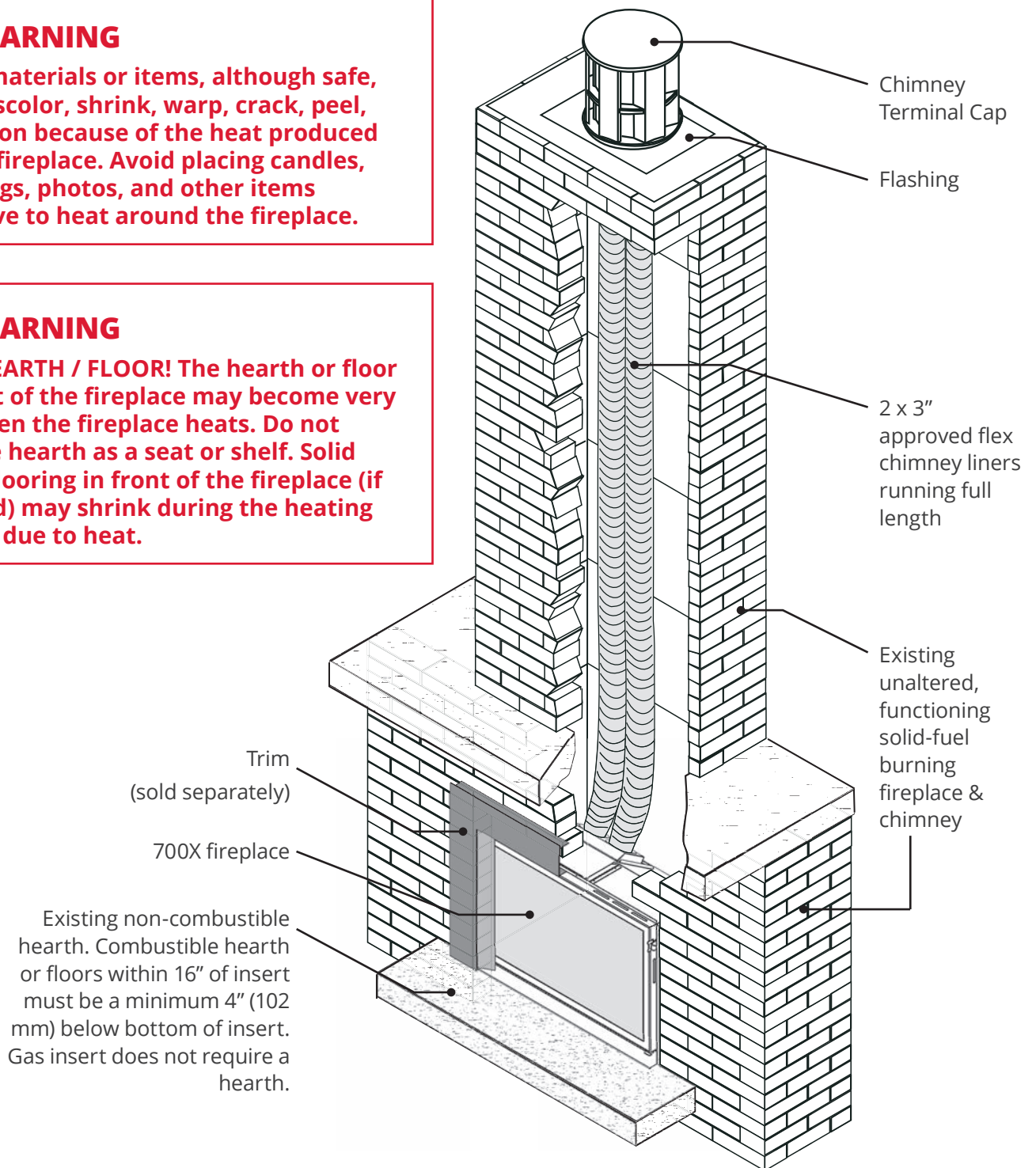
DO NOT install into combustible construction. This appliance is NOT APPROVED for installation with a zero clearance kit.

⚠ WARNING

Some materials or items, although safe, may discolor, shrink, warp, crack, peel, and so on because of the heat produced by the fireplace. Avoid placing candles, paintings, photos, and other items sensitive to heat around the fireplace.

⚠ WARNING

HOT HEARTH / FLOOR! The hearth or floor in front of the fireplace may become very hot when the fireplace heats. Do not use the hearth as a seat or shelf. Solid wood flooring in front of the fireplace (if allowed) may shrink during the heating season due to heat.



Venting

Concept

Typical Vent Installation

NOTE: Flexible co-linear vent pipes may only be installed into existing non-combustible solid-fuel burning fireplaces and chimneys.

See list of approved Venting Accessories on page 41 of this manual. The appliance must not be connected to a chimney flue serving a separate solid-fuel burning appliance.

The required fireplace dimensions and clearances are shown in *Dimensions* (page 8) and *Clearances* (page 9) sections of this manual.

Vent Location

The vent terminal must be located through the roof. This direct vent appliance is designed to operate when an undisturbed airflow hits the outside vent terminal from any direction.

Check local codes for allowable vertical vent termination.

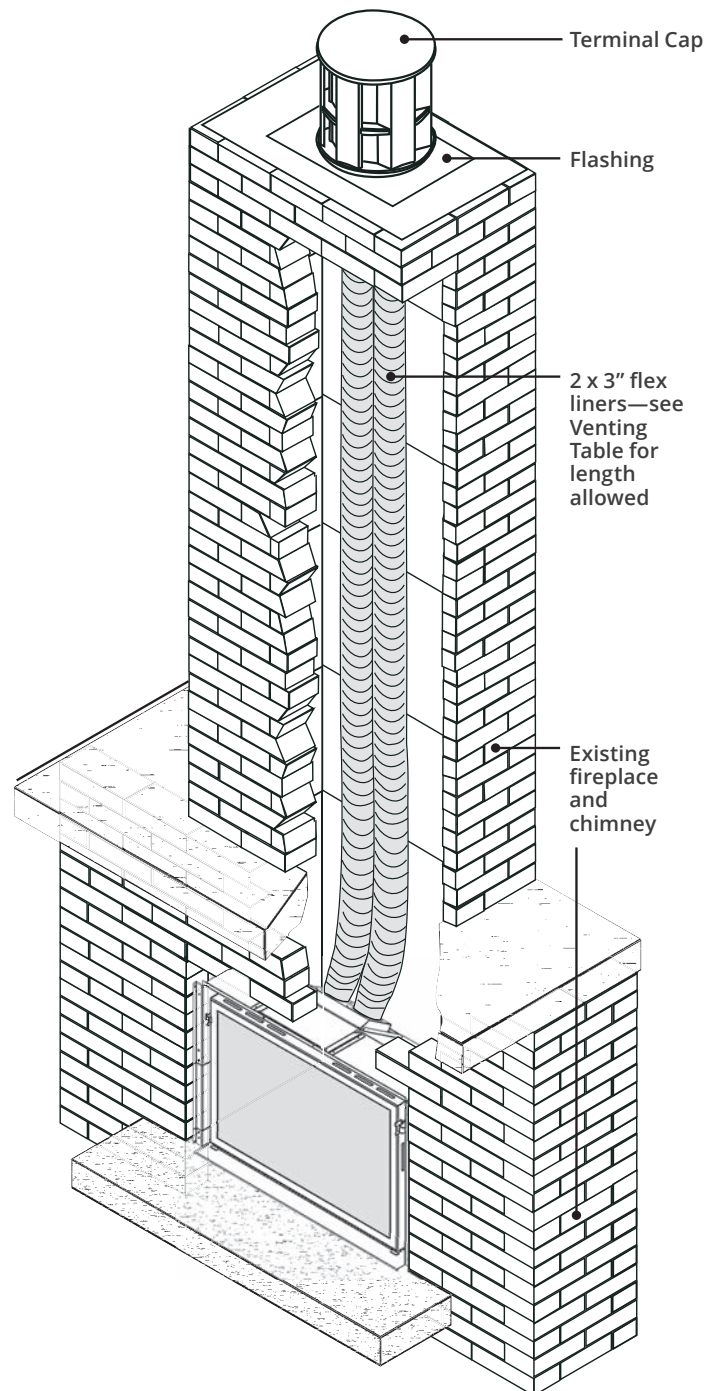
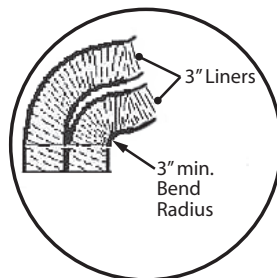
Venting Table

Maximum vertical height	40 ft (measured to bottom of termination)
Minimum vertical height	10 ft (measured to bottom of termination)
Maximum horizontal run	4 ft (measured center to center of pipe)
Maximum offset angle	45° (sweeping bend to allow for obstructions)

Venting Notes

Where possible, avoid joining flex pipes. If joints are required, use an approved connector and seal joints with RTV high temp sealant.

Horizontal offset is permissible to allow for routing around masonry projections. Avoid bending flex pipe over a 45 degree radius where possible.



Preparation

Existing Fireplace Preparation

A few points must be considered before inserting the 700 into an existing fireplace cavity. Generally, no modifications are allowed to the existing fireplace that will compromise the integrity of the existing fireplace.

Components that are bolted or screwed on such as dampers or baffles may be removed to accommodate the installation of the 700 engine. Cutting away any sheet metal parts of the existing fireplace to accommodate the installation of the 700 is prohibited.

Check with local authorities if in doubt.

Clean Fireplace and Chimney

Have the chimney swept and the fireplace cavity including ash dumps and clean-outs cleaned before installing the 700 heater and vent liners. Any creosote or soot residue remaining in the fireplace cavity chimney or clean-out may cause odors or stains once the 700 insert is installed. Consult with chimney sweep for information on how best to clean.

Existing Dampers

Factory-built, zero-clearance fireplaces will require the damper to be removed in order to install the vent liners. These dampers are usually bolted into place. Dampers in masonry fireplaces must be fixed open and may remain in place.

Ash Retaining Curbs

Some fireplaces (particularly factory-built) have a raised curb at the front edge to retain ashes. Check the dimensions carefully to ensure the 700 engine will fit behind any raised curb (some curbs may be removed separately from the refractory base).

Existing Fireplace Preparation

Gas Line Routing

Plan the routing of the gas line before proceeding. Utilize the existing hole for the gas line of the factory-built fireplace.

If the fireplace has no access hole, carefully drill an access hole of 1.5 inch (38 mm) or less through the lower sides or bottom of the firebox. The access hole must be plugged with non-combustible insulation after the gas supply line has been installed.

See Dimensions section for detailed location of gas inlet. Also, take into consideration whether or not a fan or shut-off valve will interfere when planning routing of the gas line.

Existing Glass Doors and Wire Screens

Existing glass doors must be permanently removed prior to installing the 700 insert.

Combustible Mantels

Combustible mantel clearances must conform to those required for the original solid-fuel fireplace into which the 700 is being installed.

Attach Warning Conversion Plate to Existing Fireplace

(plate supplied loose with 700 heater)

Attach the "This fireplace has been converted..." label to the existing fireplace using screws or other mechanical means and store any removed parts in back of the existing fireplace for future use.

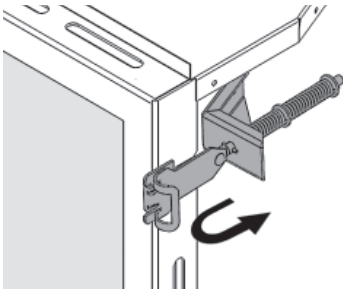
Installation

Window and Fan

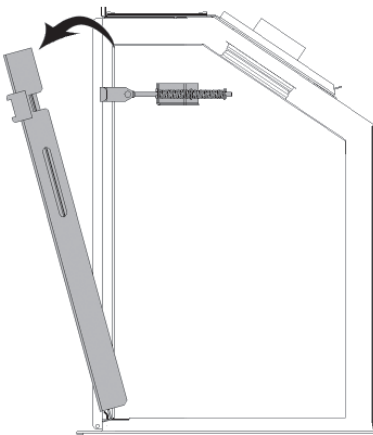
Remove Window

The window is held in place by a spring-loaded lever on each side. To remove the window:

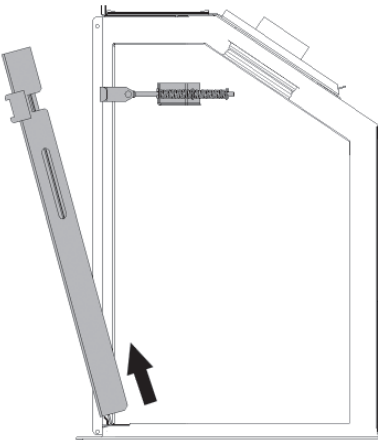
1. Locate the levers on each side of the window towards the top. Using your finger, pull the lever towards you and unhook it from the window frame bracket.



2. Gently pull the top of the window outward.



3. Lift the window out of its bottom railing and set it aside in a safe place to avoid damage.

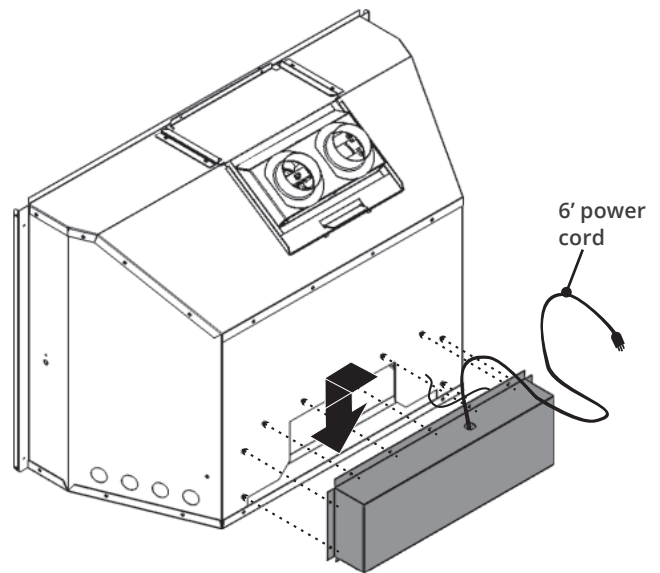


Install Fan Kit (if used)

If the 795CFKV2 Circulating Fan Kit (blower) is to be installed, we suggest that you do it now.

The fan cavity is accessible from the back of the firebox to facilitate its installation. If the fan is retrofitted after the installation of the appliance, the appliance will need to be removed. Therefore, we recommend that, where possible, the fan be installed before the appliance is fitted into the cavity.

Refer to instructions provided with the 795CFKV2 to install the fan.



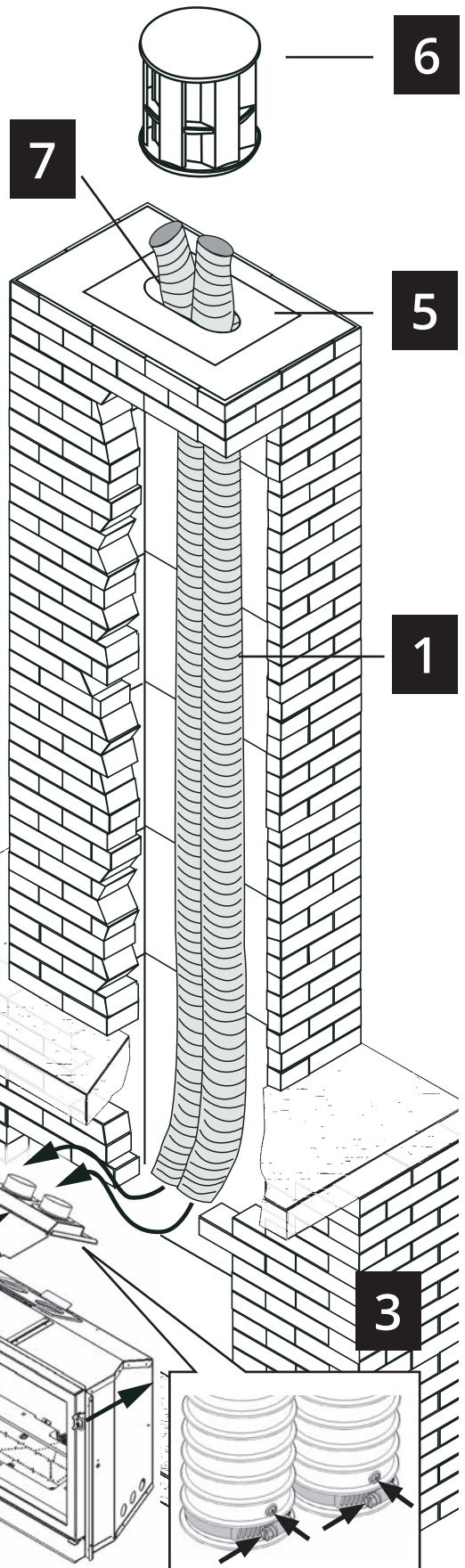
Installation

Venting

Connect Venting

IMPORTANT: This appliance's venting system is room sealed and therefore does not require room air to be used in the combustion process.

1. Rough-in two 3" diameter vent liners into the existing chimney system from the roof. Be careful not to tear or damage the liners in the process. It may be easier to install both liners at the same time rather than one at a time. Leave plenty of liners at the bottom to facilitate the connection of the liners to the vent slider. **It is best to leave the top termination until later.** Designate and mark the top and bottom of one liner as "EXHAUST" to avoid confusion later.
2. Release the two screws retaining the vent slider to the front of the firebox. Remove the slider from the firebox by sliding it towards the back of the firebox.
3. Fit the two liners ensuring that the *exhaust* liner is connected to the identified "EXHAUST" vent collar. Secure liners to collars with hose clamps (included) and 2 tapping screws per liner.
4. Slide the firebox onto the vent slider in the cavity taking care not to damage the liners. **Make sure that the rear edge of the slider is hooked over the cleat on the firebox.** Secure the vent slider to the front of the firebox with two screws removed earlier.
5. From the roof, pull the liners and fit the flashing.
6. Fit the terminal cap ensuring that the *exhaust* liner is connected to the exhaust vent collar. Secure with screws.
7. Seal the terminal and flashing from water penetration as required.



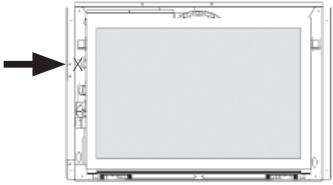
⚠ WARNING
Failure to position the parts in accordance with these diagrams or failure to use only parts specifically approved with this appliance may result in property damage or personal injury.

Installation

Gas Supply

Connect Gas Supply

The gas supply inlet connection is a 1/2" NPT female. Gas shut-off valve supplied on the end of stainless steel flexible connector. Flex connector is located on the left hand rear corner of the appliance.



Use only new black iron or steel pipes, CSST, or copper tubing if acceptable—check local codes. Note that in USA, copper tubing must be internally tinned for protection against sulfur compounds.

The burner module and gas train on this appliance may be removed as a unit for servicing. The flex pipe supplied with the unit provides a union for removal of the module.

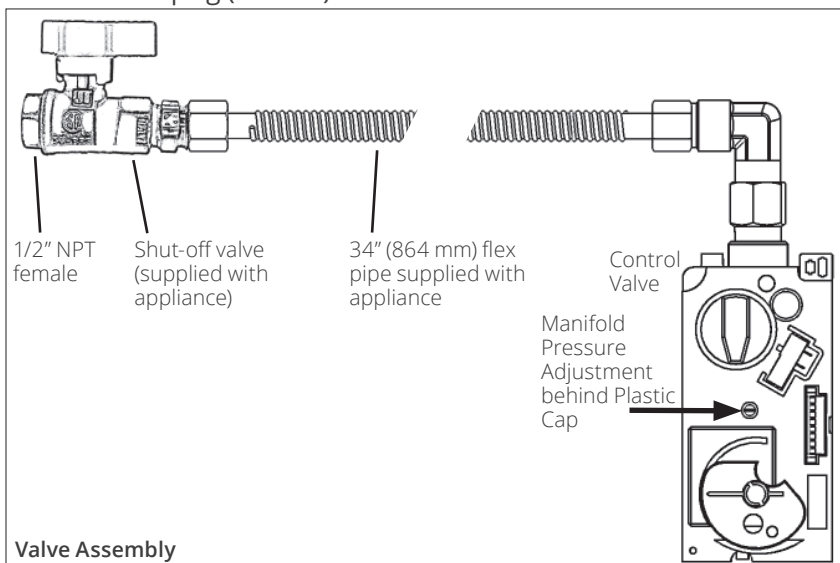
Unions in gas lines should be of ground joint type.

The gas supply line must be sized and installed to provide a supply of gas sufficient to meet the maximum demand of the appliance without undue loss of pressure.

Sealant used must be resistant to the action of all gas constituents including LP gas. Sealant should be applied lightly to male threads to ensure excess sealant does not enter gas lines.

Pressure test the supply line for leaks.

The appliance and its individual shut-off valve must be disconnected from the gas supply piping system during any pressure testing of that system at test pressures in excess of 1/2 psig (3.5 kPa).



The appliance must be isolated from the gas supply piping system by closing its equipment shut-off valve during any pressure testing of the gas supply piping system at test pressures equal to or less than 1/2 psi (3.5 kPa).

Failure to either disconnect or isolate the appliance during pressure testing may result in regulator or valve damage and void the warranty. Consult your dealer in case of damage.

Pressure Test Points

The minimum supply pressure is given in the section Specifications of this manual—page 6.

All piping and connections must be tested for leaks after installation or servicing. All leaks must be corrected immediately.

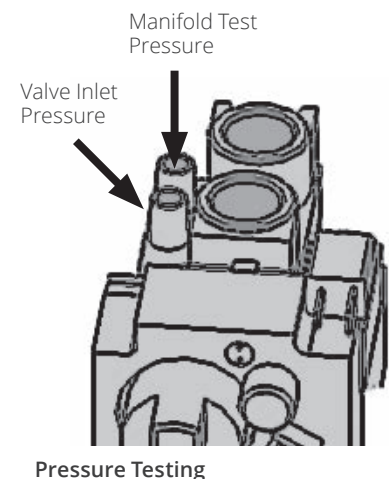
When testing for leaks:

- Make sure that the appliance is turned off.
- Open the manual shut-off valve.
- Test for leaks by applying a liquid detergent or soap solution to all joints. Bubbles forming indicate a gas leak.

Never use an open flame to check for leaks.
Correct any leak detected immediately.

The pressure test tapping locations are shown in the figure below. An internal regulator within the valve controls the burner manifold pressure.

The correct pressure range is shown in the table in section Specifications of this manual on page 6. The pressure check should be made with the burner alight and at its highest setting. See Lighting Instructions section for full operating details on page 28.



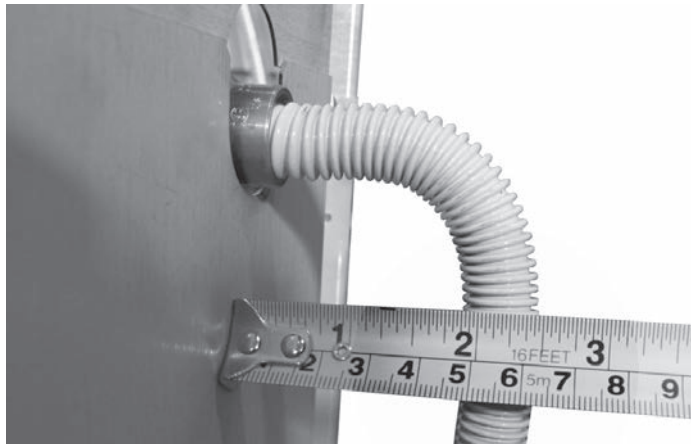
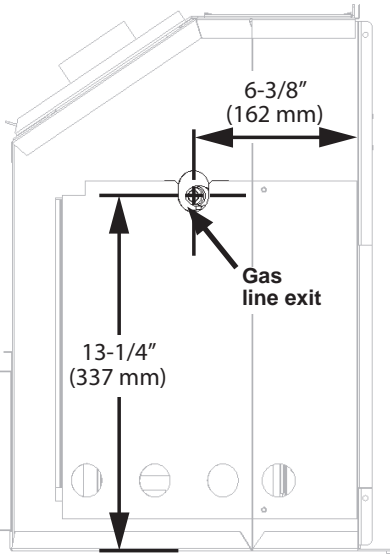
Installation

Gas Supply

Inlet Connection

The appliance is supplied with a flared elbow connector fitted onto the valve and a flex connector supplied loose to be attached to the elbow connector. To facilitate the installation of the flex connector, remove the valve access panel on the left side of the appliance case.

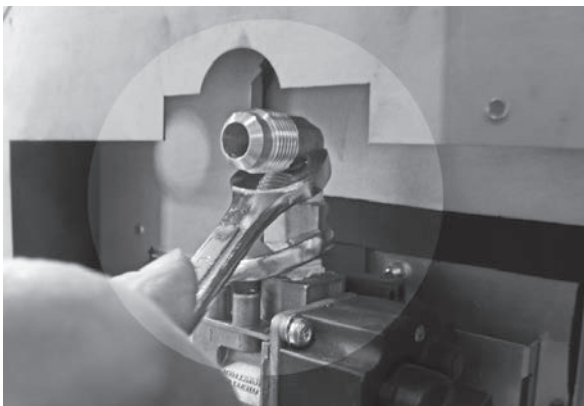
NOTE: The flex connector minimum bend radius must be no smaller than the size of a golf ball (approx. 1-3/4" or 44 mm) as indicated.



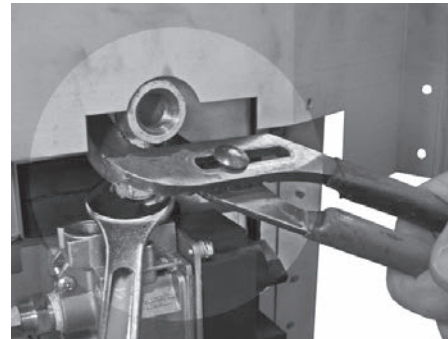
Alternate Inlet Connection

When the fireplace opening width is too narrow, you may use common elbows and fittings (not supplied) to redirect the position of the flex connector closer to the side of the appliance.

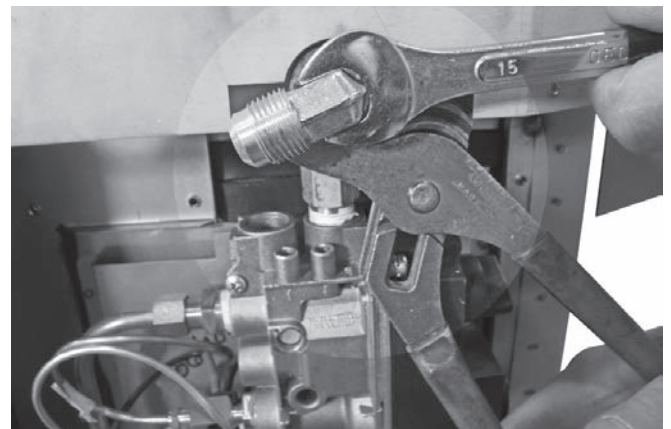
1. Remove elbow connector.



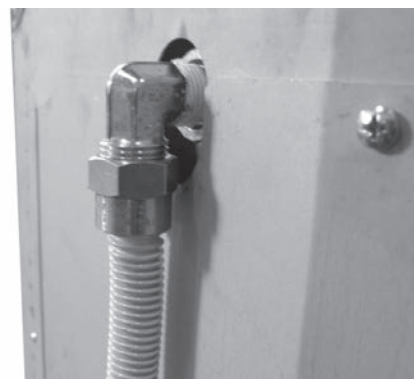
2. Install alternate elbow (not supplied).



3. Re-install original supplied connector elbow.



4. Install the flex connector to the alternate elbow.



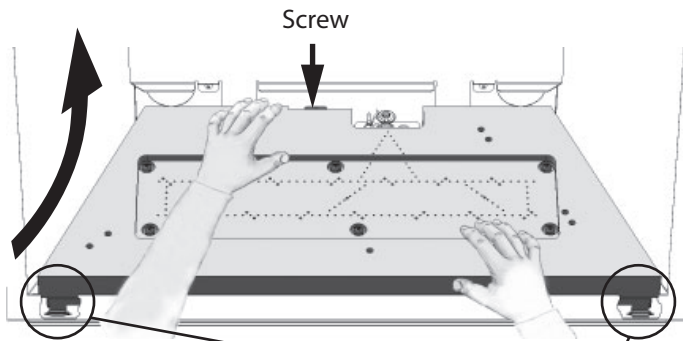
Installation

Liners

Remove and re-install burner (if necessary)

The ceramic panels can be installed without removing the burner. However, you can remove the burner for additional space if desired.

1. Remove the screw fixing the rear of the burner to the manifold bracket as indicated.
2. Grab the burner and gently pull up the rear first while pushing back and unhooking the front tabs from their retaining lances. **Be careful not to hook the pilot hood as you pull the burner up.**



3. To reinstall the burner, fit the burner in the firebox inserting the front tabs first in the lances.

Note: Ensure that the front of the burner is well hooked when re-installing!

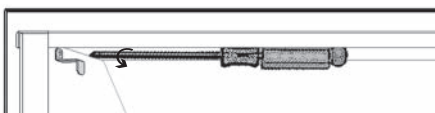
Again, be careful not to hook the pilot hood when fitting the burner over the pilot.

4. Fix the burner to the manifold bracket at the rear with screw.

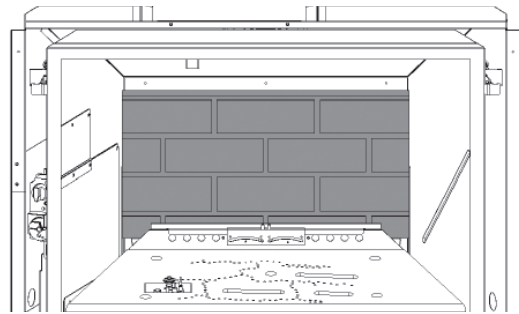
Install Liner Panels

The following guidelines apply to all panels except 706RGL Reflective Glass Liners for which separate instructions are provided with the kit. You do not need to remove the burner to install the panels.

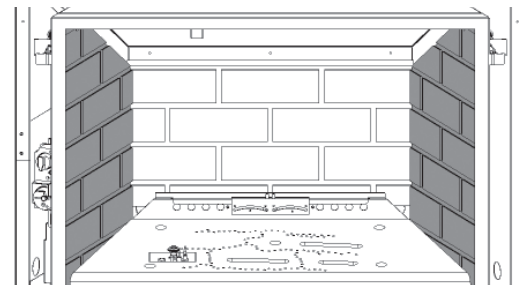
1. Inside the firebox, on the top of each side, release the screw of the side panel anchors (one per side) just enough to allow them to rotate.



2. Place the rear panel against the back of the firebox, on the ledge at bottom, behind the burner.



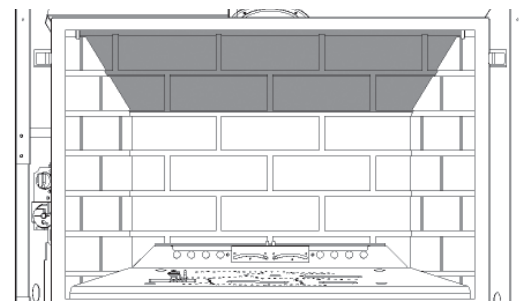
3. Rotate the anchor up and out of the way and slide the left hand side panel against the firebox side. Rotate the anchor back down to hold the panel.
4. Rotate the anchor up and out of the way and slide the right hand side panel against the firebox side. Rotate the anchor back down to hold the panel.



5. Tighten the side panel anchors on each side of the firebox.



6. Install the top panel supporting it with the back and side panels.



7. Discard the front bricks as they are not required on this fireplace.

Installation

Fuel Beds

Install Driftwood Kit 700XDWK

Material required

- Driftwood Kit, which contains:
 - 3 logs
 - 4 pebbles
 - 2 bag of ash ember grey
 - 1 bag of splinters grey
- Gloves, if desired

Installation

Ember and Splinters

Fill the recessed cavity of the ceramic burner with one layer of ember and splinters provided. **NOTE:** Ensure the area within the pilot shield is clear of ember or splinter pieces.

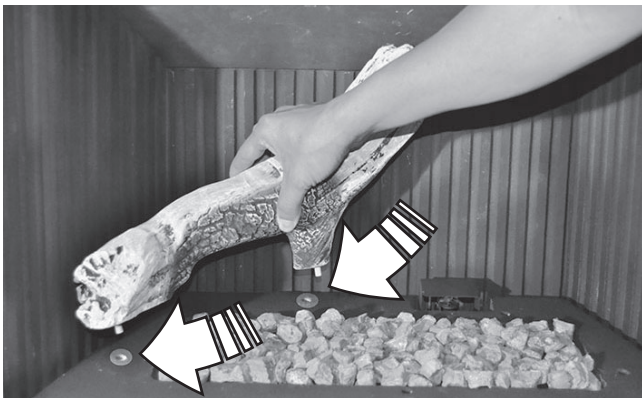


Logs

Carefully unpack the kit.

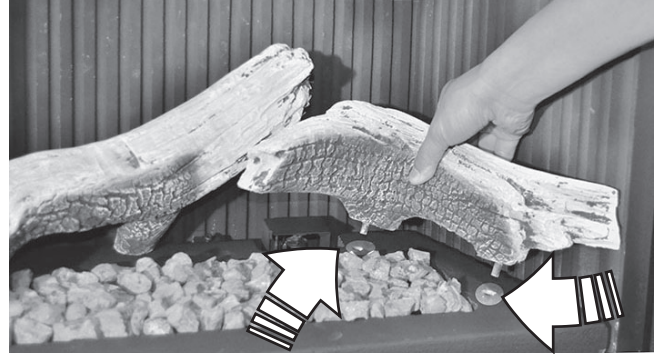
Each log has pegs to help you locate them on the ceramic burner platform. Install the logs as shown below.

1. Place the left log on the left side of the ceramic burner inserting the two pegs of the log in the holes of the burner.

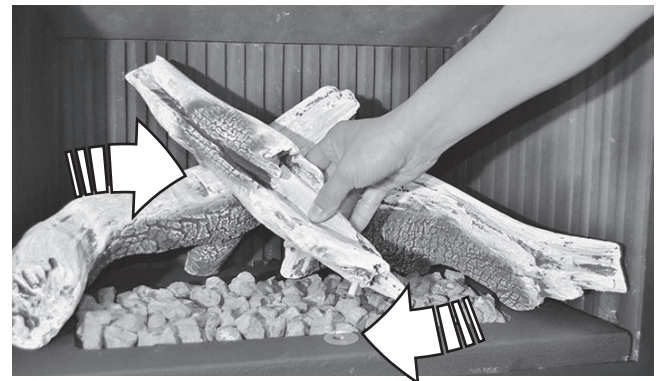


IMPORTANT: Use only the embers and splinters approved for use with your Valor fireplace. Use of other media can damage your fireplace and void the warranty.

2. Place the right log on the right side of the ceramic burner inserting the two pegs of the log in the holes of the burner.



3. Place the center log inserting its front end peg in the hole in the front of the burner and resting its rear end in the slight flat part on top of the left log.



Pebbles

Place the pebbles on the embers and platform as shown below. Some embers can be put on the platform as well.



! WARNING

Choking Hazard! Ensure that the fireplace area is clear of embers & splinters as these could be ingested by small children. Vacuum area after installation.

Installation

Fuel Beds

Install Decorative Glass Murano 700XDGM

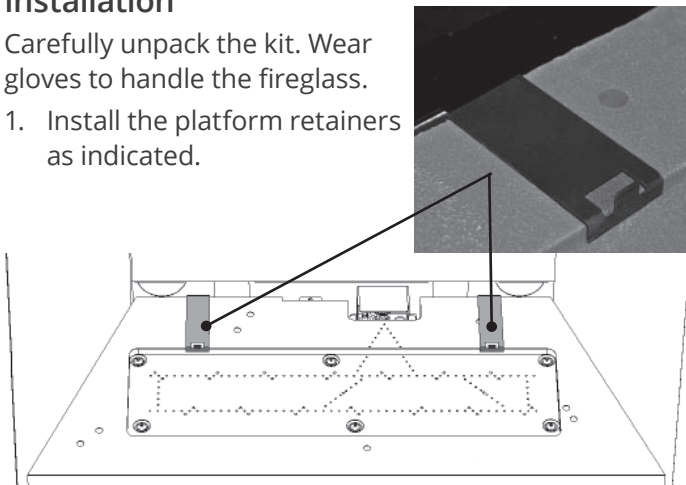
Material required

- Decorative Glass Murano kit, which contains:
 - 1 glass platform
 - 1 glass piece for pilot cover
 - 2 platform retainers
 - 1 pilot cover
 - 1 emberbed cover
 - 1 bag of clear fireglass
- Gloves (recommended to manipulate glass)

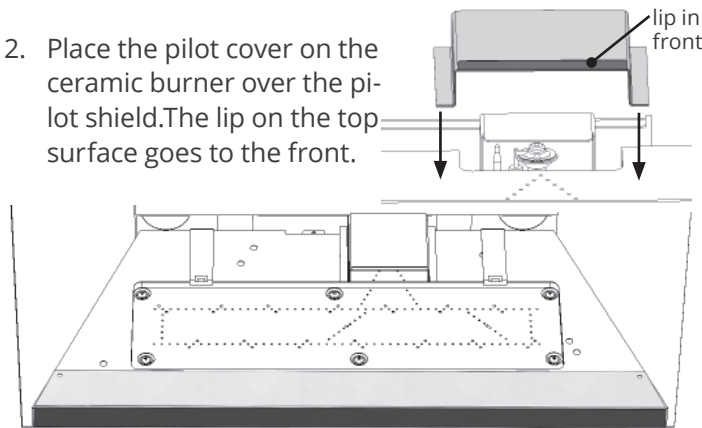
Installation

Carefully unpack the kit. Wear gloves to handle the fireglass.

1. Install the platform retainers as indicated.



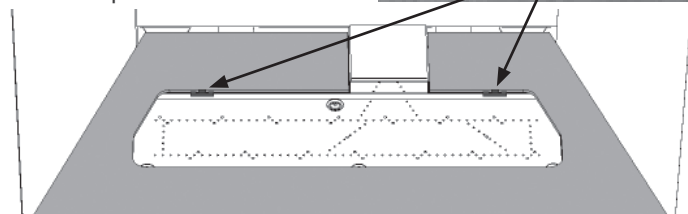
2. Place the pilot cover on the ceramic burner over the pilot shield. The lip on the top surface goes to the front.



3. Place emberbed cover over front of burner with tabs into recess part.



4. Install the glass platform on top of the retainers.

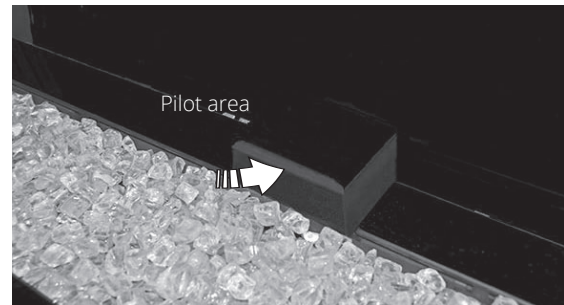


5. Carefully spread the glass on top of the burner within the platform opening.



6. Install the square glass panel on top of the pilot shield.

NOTE: Ensure the area within the pilot shield is clear of glass particles.



IMPORTANT: Use only the fireglass approved for your Valor fireplace or the fireglass brands *American Fireglass™* or *firegear*. Use of other fireglass or crushed glass can damage your fireplace and void the warranty.

WARNING

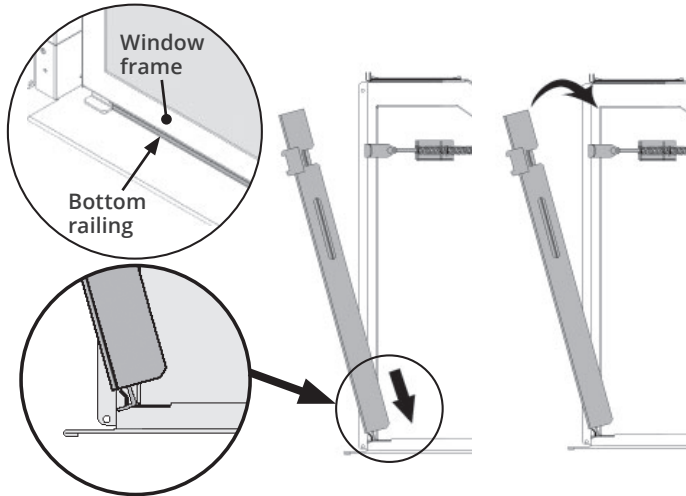
Choking Hazard! Ensure that the fireplace area is clear of glass pieces as these could be ingested by small children. Vacuum area after installation.

Installation

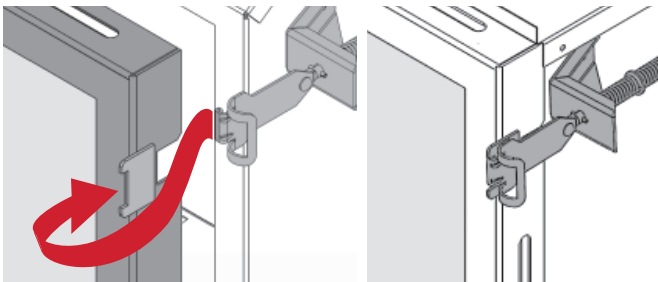
Window Re-Installation & Checking

Refit and Check Window

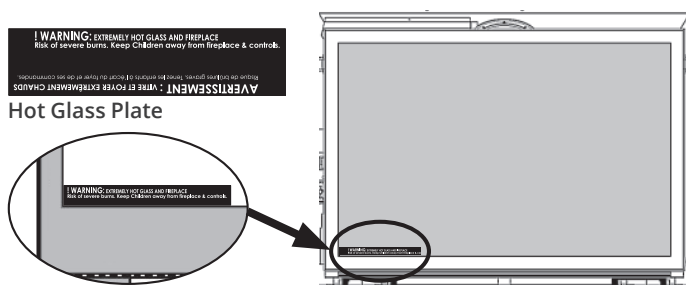
1. Place the window in its bottom railing and push its top against the firebox. Ensure to remove any particles in the railing before installing the window.



2. While you hold it, hook the side levers into the window tabs.



3. Pull out the top of the window and release it to ensure the springs return it.
4. Apply firm hand pressure around the window frame to ensure the window is sealed tight against the firebox.
5. If the Hot Glass Warning plate has been removed from the front lower corner of the window, reinstall it by sliding it between the glass and the frame as indicated below.



⚠️ WARNING

The window unit must be correctly installed, fastened and sealed after servicing or serious bodily injury and/or damage to the appliance may result.

To ensure a safe operation:

- Double-check that the bottom of the window frame is correctly installed in the bottom support railing;
- Verify that the levers are hooked properly to the window tabs then;
- Pull out the top of the window and release it to insure the springs return it;
- Ensure the window is sealed before operation.

⚠️ WARNING

Failure to install the window correctly can:

- Leak carbon monoxide.
- Affect the performance of the fireplace.
- Damage components.
- Cause overheating resulting in dangerous conditions.

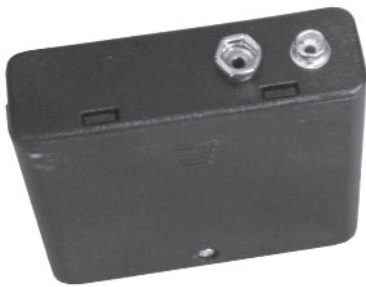
Damage caused by incorrect window installation is not covered by the Valor Warranty.

Installation

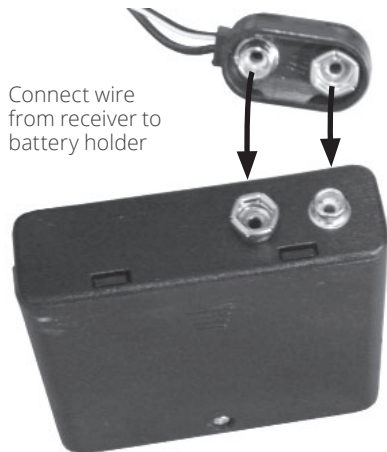
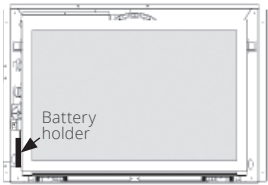
Synchronize Remote Control

The receiver and the handset of the remote control system must be initially synchronized before the first use.

1. Remove the battery holder cover (1 screw).
Insert 4 x 1.5V alkaline batteries in the holder.



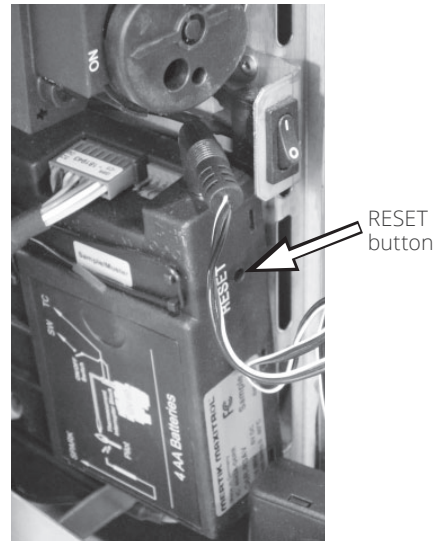
2. On the left hand side of the firebox, pull the loose wire that is already connected to the receiver and connect it to the battery holder.



3. Insert 1 9V alkaline battery in the handset.

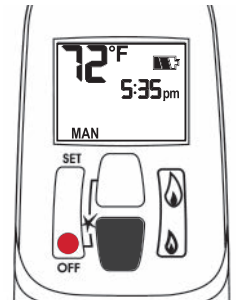
Remote Control Pairing

4. With a sharp object, press and hold the receiver's RESET button until you hear one short and one long beep. Release the reset button after the second beep.



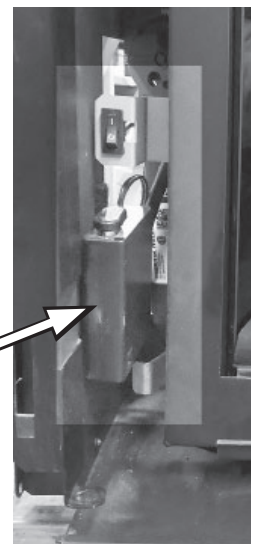
5. Within the subsequent 20 seconds, press the small flame button on the remote handset until you hear two short beeps confirming the synchronization is set.

This is a one time setting only and is not required when changing the batteries in the remote handset. The remote control system is now ready to use.



6. Inside the left panel of the appliance outer case, in front of the receiver, peel off the *Velcro* backing and stick the battery box on it to keep it in place.

Battery holder installed



Installation

Check Operation

Turn the fireplace flame up and down using the remote control to confirm that the full range of inputs is achieved—see the Remote Control Use starting on page 29.

Adjust Aeration (if necessary)

Light the fire and allow the unit to warm up for 10–15 minutes to evaluate the flame picture. Burners are equipped with an adjustable shutter to control primary aeration. See the figures below. The shutters are factory-set to an aeration gap which will give optimum performance for the vast majority of installations.

Depending of fuel bed used, altitude and other considerations, the flame picture may be improved by adjusting the aeration. The need for adjustment should be determined only by operating the appliance with the fuel bed, liners and window installed and evaluating the flame picture after a 15-minute warm-up.

Increasing aeration (open) will cause the flames to appear more transparent and blue showing more ceramic effects glow.

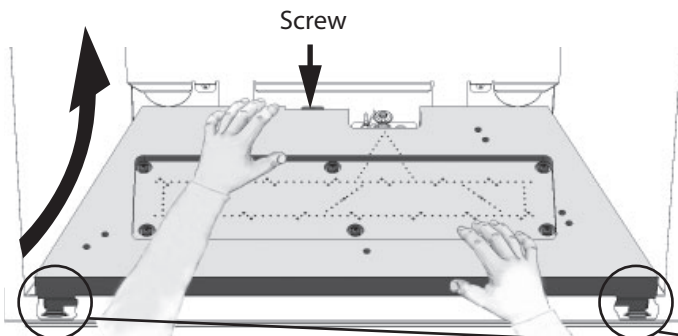
Decreasing aeration (close) will cause the flames to appear more yellow or orange showing less ceramic effects glow.

Too little aeration may result in black carbon forming and dropping into the firebox.

Air Shutter

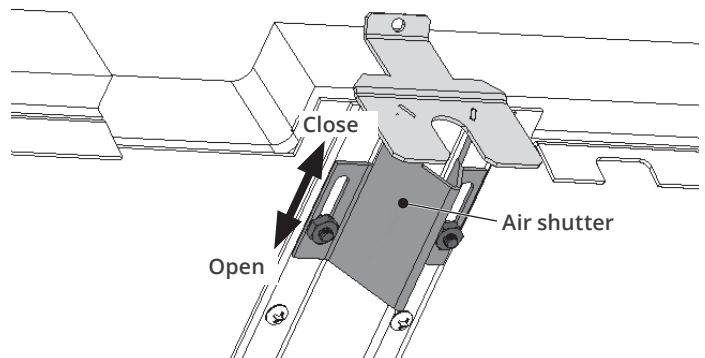
To access the air shutter, very carefully remove the ceramic burner. The air shutter is located under the burner at the back as shown.

1. Remove the screw fixing the rear of the burner to the manifold bracket as indicated.
2. Grab the burner and gently pull up the rear first while pushing back and unhooking the front tabs from their retaining lances. **Be careful not to hook the pilot hood as you pull the burner up.**

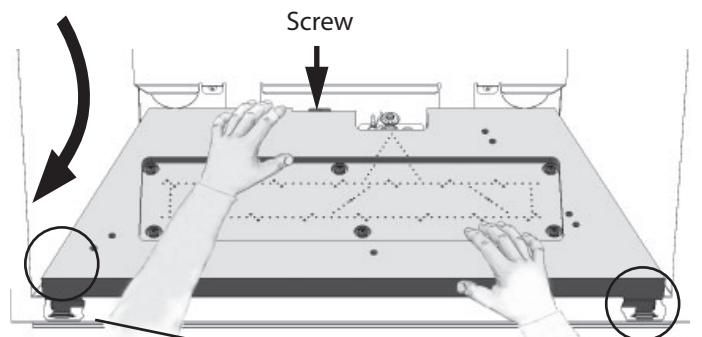


Check Operation and Aeration

3. Loosen the air shutter nuts, adjust and re-tighten.

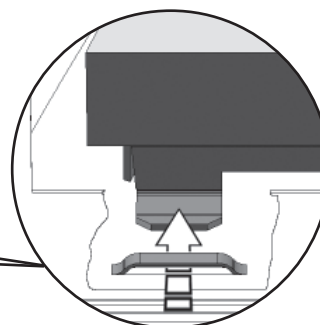


4. To reinstall the burner, fit the burner in the firebox inserting the front tabs first in the lances. **Note: Ensure that the front of the burner is well hooked when re-installing!**



Again, be careful not to hook the pilot hood when fitting the burner over the pilot.

5. Fix the burner to the manifold bracket at the rear with screw.

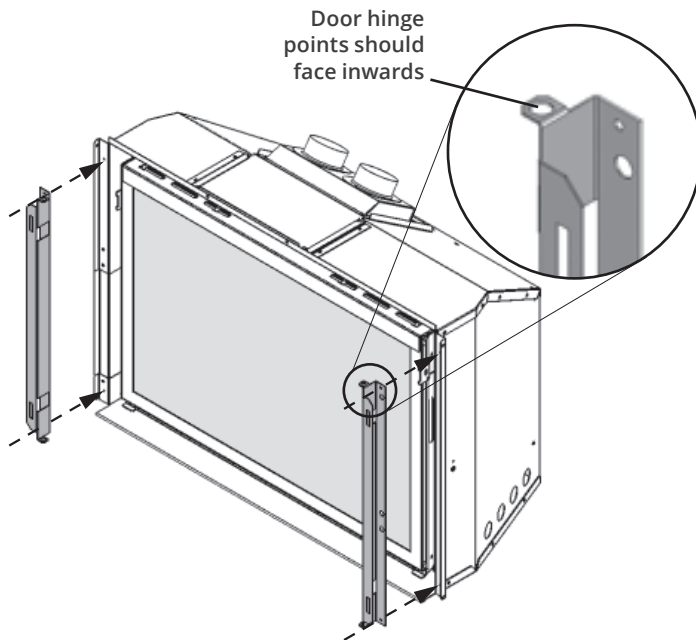


Install Side Shrouds

The side shrouds are required to install the front on the appliance. They are supplied with the engine.

Fit them to the appliance outer case as indicated (2 screws/side).

See instructions supplied with the front trim for installation of trim.



Install Front, Trim and Barrier Screen

Install the front or trim chosen by the customer for their fireplace. Install as well the barrier screen which is provided with the front or trim.

Show the customer how to access the controls when the front or trim are installed and how to remove them.

Follow the instructions provided with the front or trim and leave those instructions behind for the customer's further reference.

Installation

Remote Control Holder

Install Remote Control Handset Wall Holder

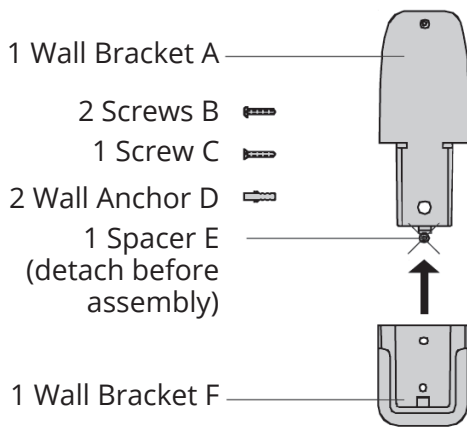
The remote control kit for this fireplace comes complete with a wall-mounted holder. This holder is not required in all installations but is provided as an optional feature for those customers who wish to mount the remote handset to the wall.

To install the holder to the wall, find a convenient location and use the hardware provided with the kit.

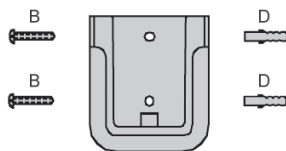
IMPORTANT: The location of the remote control handset is important to assure proper temperature regulation.

To obtain a constant temperature, we recommend that the handset should be **between 3 and 15 feet away from the appliance but not directly above it**. We also advise that the handset should be located away from any other heat source and not in direct sunlight as this may affect the temperature sensor located in the remote handset.

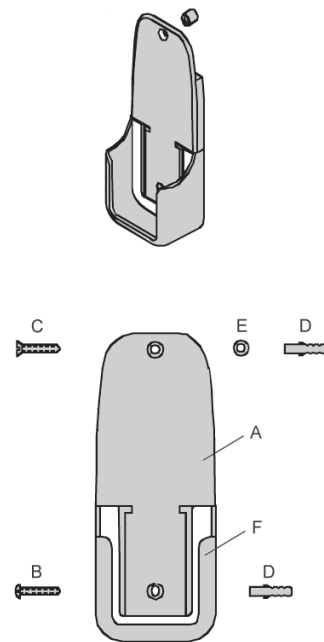
Contents



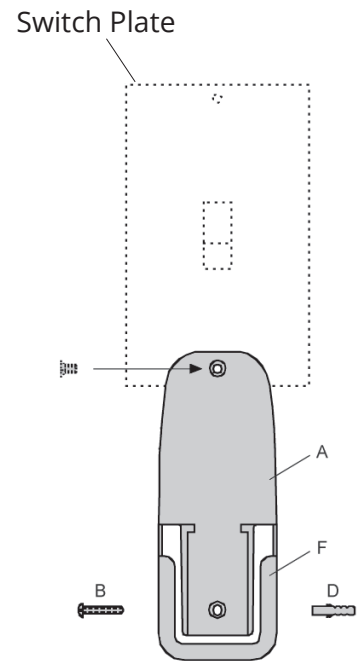
Alternative 1



Alternative 2

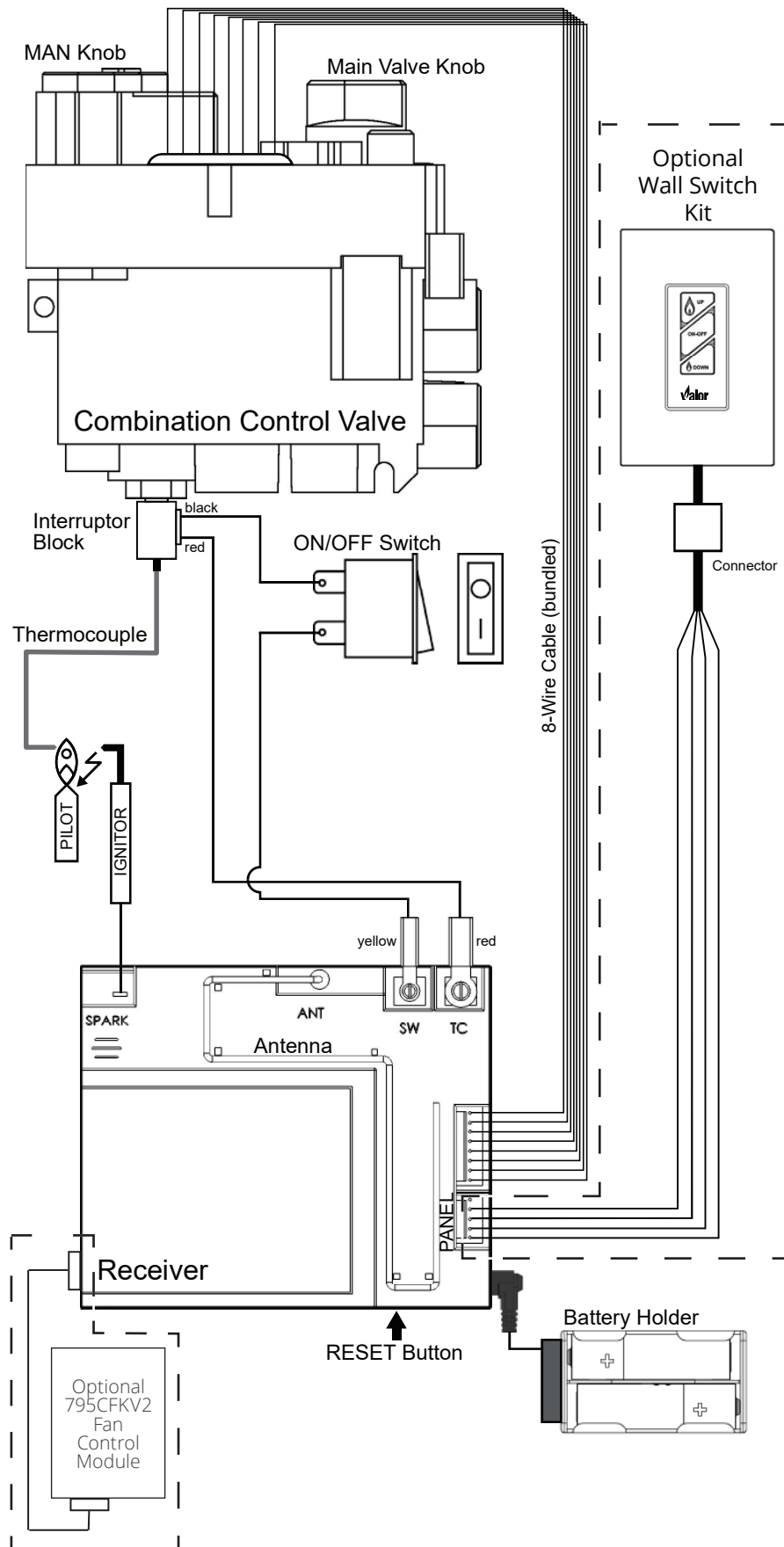


Alternative 3

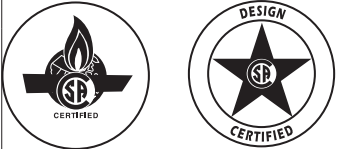


Installation

GV60 Wiring Diagram



Approved Venting Components

Approved Direct Vent Suppliers for Valor Models 700 ⁴ , 739 ³ , 780 ⁴ and 785										
		Venting Parts Code / availability by Manufacturer								
		DURA-VENT	SELKIRK	ICC EXCEL DIRECT	SECURE VENT	RLH INDUSTRIES	AMERIVENT	MILES INDUSTRIES	BDM	
Termination Caps	Vertical	Standard Co-axial	46DVA-VC	4DT-VT	—	—	HSDV4658-1313	4DVC	—	940264
								4DH-1313		940364
										940206LP
		High Wind Co-axial	46DVA-VCH	—	TM-4SVT	SV4CGV	—	—	—	—
		Extended Co-axial	46DVA-VCE	—	—	—	—	—	—	—
	Vertical	Co-linear	46DVA-CL33	—	TM-IVT	3PDVCV	HS-C33U-99	HCL-99-33	559CLT	940033B
							HCL-913-33	940034B		
HS-C33F-1313							HCL-1313-33	940033HWS		
								940033RD		
Horizontal		—	—	—	—	—	720SWK ³ 720SWK-M ³ 720SWK-M2 ⁴	—		
Vent Adapters / Couplers	Universal Adapter 3" Flex Coupler	2150	—	TM-CFAA3	—	—	—	—	95090390	
	Co-linear Flex Connector	46DVA-ADF	—	—	—	—	—	—	—	
	Co-linear-to-Co-axial Adapter	46DVA-GK 46DVA-CLTA	—	TM-4CTA	—	—	4DCAT33	—	—	
Aluminum Flexible Liner	3" or 4" diameter	NOTE: 2-ply liner approved to CAN/ULC S635 suitable for venting gas appliances. As manufactured by Z-Flex, Flexmaster and others.								
		2280 Series	AF3-35L	TM-ALK33 TM-ALT33	—	—	—	—	952703 952704	
Flashings	Roof Flashing 0/12-6/12	46DVA-F6	4DT-AF6	TF-4FA	SV4FA	—	4DF (0/12-5/12)	—	949606012	
	Roof Flashing 7/12-12/12	46DVA-F12	4DT-AF12	TF-4FB	SV4B	—	4DF12 (6/12-12/12)	—	949606712	
	Flat Roof Flashing	46DVA-FF	—	TF-4F	SV4F	—	—	—	949606001	
	Masonry Flashing	—	—	TF-4MF	—	—	—	559FSK		

- Notes:**
1. Follow instructions supplied with each manufacturer's components.
 2. Termination caps manufactured by RLH Industries or American Metal Products are from Homestyle Chimney Collection and can be ordered in one of the following finishes: a) aluminum; b) black powder coated; c) solid copper.
 3. The 720SWK-M Sidewall Kit can only be installed on the 739M models; the 720SWK can be installed on the 739-72 models.
 4. The 720SWK-M2 Sidewall Kit can only be installed on the 700M and 780M models.

Appendix A—Lighting Instructions

FOR YOUR SAFETY, READ BEFORE LIGHTING

WARNING: If you do not follow these instructions exactly a fire or explosion may result causing property damage, personal injury or loss of life.

- A. This appliance has a pilot which must be lighted by hand or by remote control. Follow these instructions exactly. To save gas, turn the pilot off when not using the appliance for a prolonged period of time.
- B. **BEFORE LIGHTING**, smell all around the appliance area for gas. Be sure to smell next to the floor because some gas are heavier than air and will settle on the floor.
- WHAT TO DO IF YOU SMELL GAS
- Do not try to light any appliance.
 - Do not touch any electric switch; do not use any phone in your building.
 - Immediately call your gas supplier from a neighbor's phone. Follow the gas supplier's instructions.
 - If you cannot reach your gas supplier, call the fire department.
- C. Use only your hand to push in or turn the control knobs. Never use tools. If the knobs will not push in or turn by hand, don't try to repair them; call a qualified service technician. Force or attempted repair may result in a fire or explosion.
- D. Do not use this appliance if any part has been under water. Immediately call a qualified service technician to inspect the appliance and to replace any part of the control system and any gas control, which has been under water.

LIGHTING INSTRUCTIONS

Dependent on model, switch #1 may be mounted directly to valve see Fig 2A.

Fig 1

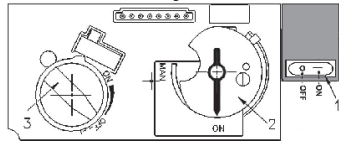
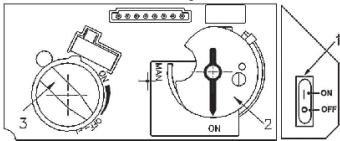


Fig 1A

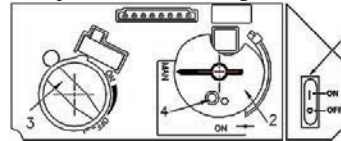


Fig 2

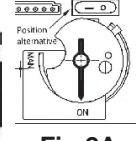



Fig 2A

1. **STOP!** Read the safety information above.
 2. SET ON/OFF SWITCH (1) TO "OFF" POSITION.
 - Wait five (5) minutes to clear out any gas, then smell for gas, including near the floor. If you smell gas, STOP! Follow "B" in the safety information above on this label. If you don't smell gas, go to the next step.
 3. **AUTOMATIC IGNITION (fig. 1):** Locate the pilot (fig 3.) inside of firebox.
 - ON/OFF switch (1) in ON position, MAN-knob (2) in ON position; set Flame Adjustment knob (3) to lowest setting (∩)
 - On the remote control handset, press and hold the 'off' button and  (large flame) simultaneously; a short acoustic signal confirms the start has begun;
 - Further short acoustic signals indicate the ignition process is in progress;
 - When the pilot is lit, the Flame Adjustment knob (3) will automatically rotate to the highest setting.
 - Press the small flame on the remote control handset to reduce the flame height.
 4. **MANUAL IGNITION (fig. 2):** With the window off, locate pilot (fig. 3) inside firebox;
 - ON/OFF switch (1) in ON position, MAN-knob (2) in MAN position;
 - Set Flame Adjustment knob (3) to the lowest setting (∩);
 - Push down the metallic core (4) with a pen or similar instrument; this will establish the pilot gas flow;
 - Light gas at the pilot (5) with a match;
 - Continue holding down metal core (4) for about 10 seconds; after release, pilot should remain lit;
 - If the pilot will not stay lit after several tries, turn the gas control knob (3) to "OFF" (∩) and call your local service technician or gas supplier.
- Reinstall the window and set the MAN-knob (2) to "ON"; turn Flame Adjustment knob (3) up (∪) or down manually or use the up/down 'flame' buttons on the remote control handset to adjust the flame height.

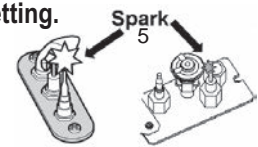


Fig 3

TO TURN OFF GAS TO APPLIANCE

AUTOMATIC SHUT-OFF (using the remote control handset):

1.
 - Press and hold the small flame on the remote control handset to shut-off the main burner gas flow;
 - Press "OFF" button (red dot) on remote handset to shut-off the appliance, including pilot flame.

Appendix B—Remote Control Operation

Initial Pairing

Before the remote control can be used with the fireplace, it must be paired. See page 22.

Radio Frequency

315 MHz for USA and Canada.

This device complies with Part 15 of the FCC Rules and with Industry Canada license-exempt RSS standard(s). Operation is subject to the following two conditions:

- (1) this device may not cause harmful interference, and
- (2) this device must accept any interference received, including interference that may cause undesired operation.

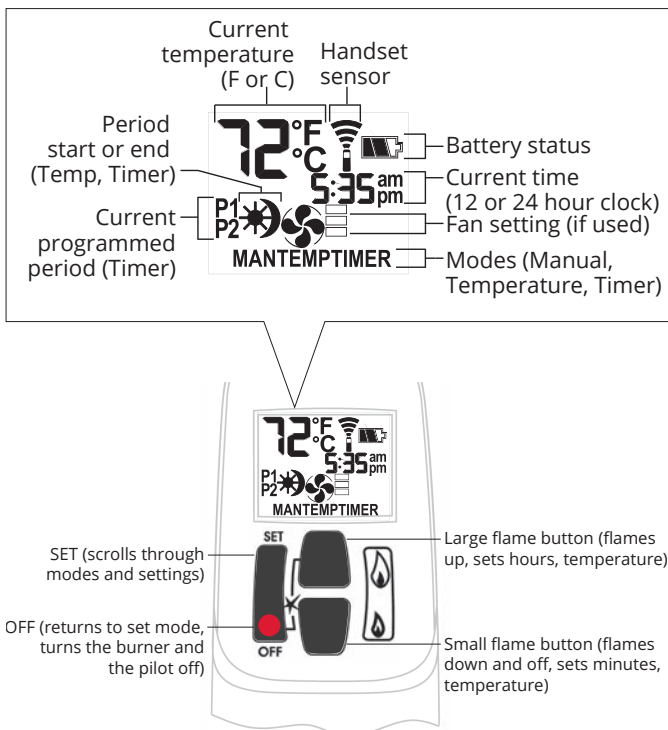
NOTE: Before using the remote control system for the first time, the receiver and the handset must be synchronized. See the section *Synchronize Remote Control*.

IMPORTANT: BEFORE YOU BEGIN, please note that on this system, the settings of time, temperature and automatic ON/OFF **can only be programmed when the function display is flashing**. Be patient when programming as it can take a few seconds to set.

Note: In the TEMP or TIMER modes, the remote handset senses the room temperature and adjusts the flame accordingly.

To communicate, the handset should be within 15 feet (4.5 meters) of the fireplace.

Do not leave the handset on the mantel or hearth.



Turn Fireplace ON

Press ● + 🔥 buttons until you hear a short beep; release buttons.

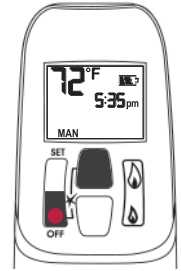
Beeps continue until pilot is lit.

Burner lits to maximum flame height and handset goes automatically to manual (MAN) mode.

NOTES:

On the valve, MAN button must be at ON, in full counter-clockwise position .

ON/OFF switch (if equipped) must be in I (ON) position.



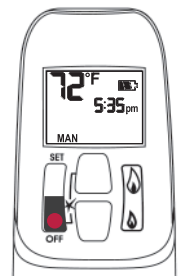
Turn Fireplace OFF

Press ● button.

When pilot is just turned off, wait 2 minutes to light it again.

Standby Mode (Pilot Flame)

Press and hold 🔥 to set fireplace to pilot.



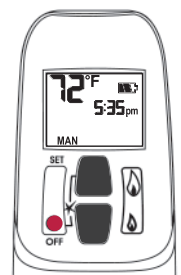
Adjust Flames Height

With pilot lit, press and hold buttons:

🔥 = increase flame height

🔥 = decrease flame height or set to pilot

For fine adjustment, tap buttons.



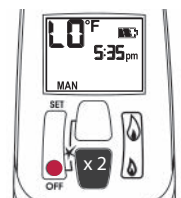
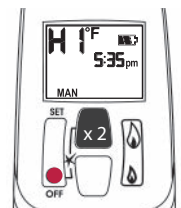
Express Low and High Fire

Double-click buttons:

🔥 = increase flame to maximum height "HI"

🔥 = decrease flame minimum height "LO"

NOTE: Flame goes to high fire first before going to designated low fire.

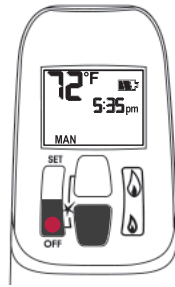


Appendix B—Remote Control Operation

Setting °C/24-hr or °F/12-hr clock

In MAN mode, press ● + 🔥 buttons until temperature / clock display changes from

°F / 12-hour ↔ °C / 24-hour



Setting Time

The time display will flash after either:

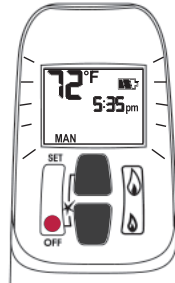
- installing the battery, or
- pressing 🔥 + 🔥

To set the time, press buttons:

🔥 = hour

🔥 = minutes

Press ● or wait to go back to MAN.



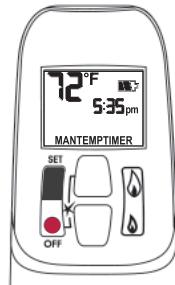
Modes of Operation

Briefly press SET cycles through modes of operation.

MAN > TEMP > Light > Fan >

TEMP > TIMER > MAN

NOTE: Press 🔥 or 🔥 to reach MAN mode.



MAN Manual Mode

Manual flame height adjustment.



TEMP Daytime Temperature Mode

When pilot is lit, room temperature is measured and compared to set temperature. Flame height automatically adjust to reach Daytime Set Temperature.



Light/Dimmer Mode

Not available on this fireplace.



Fan Mode

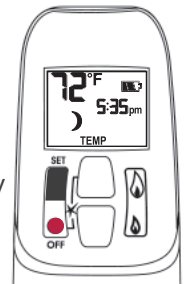
Turns fan ON and OFF and adjusts speed.

Note: To turn fan OFF, press 🔥 until all 4 bars disappear.



TEMP Night time Setback Temperature Mode

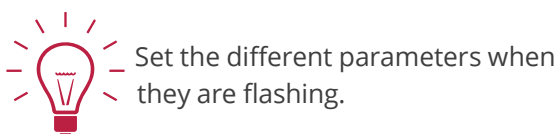
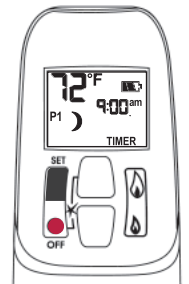
When pilot is lit, room temperature is measured and compared to set temperature. Flame height automatically adjust to reach Night Time Setback Temperature.



TIMER Timer Mode

When pilot is lit, two periods of time (P1 and P2) can be programmed to use Daytime and Night time temperatures at specific times.

Note: Display shows set temperature every 30 seconds.



Appendix B—Remote Control Operation

Circulating Fan Operation (if equipped)

Circulating fan has 4 speed levels from low to high (1 to 4 bars).

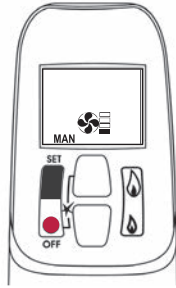
Press SET to scroll to . Fan and level icons flash.

To set speed, press flame buttons:

= increases speed.

= decreases speed and turns OFF fan when all bars disappear.

Note: 8 seconds after the fan is set, handset goes automatically in temperature control mode. Fan starts 4 minutes after gas opens (from OFF or pilot) at maximum speed then goes to displayed level after 10 seconds. Fan stops 10 minutes after gas is OFF or at pilot.



Setting Program Timers

You can program two periods of time between 12 am and 11:50 pm in each 24-hour cycle.

Programs P1 and P2 must be set in the following order during a 24-hour cycle: **P1** , **P1** , **P2** and **P2** .

= Day Time temperature (high) program period

= Night Time temperature (low) program period

Default Settings:

Program 1: **P1** 06:00 am **P1** 08:00 am

Program 2: **P2** 11:50 pm **P2** 11:50 pm

Press SET to scroll to **TIMER**.



If **P1** = **P1** or **P2** = **P2** , programming is cancelled.

To keep fireplace ON all night, set **P2** at 11:50 am and **P1** at 12:00 am.

If you want to program only one period, program **P1** and **P1** with desired times then **P2** and **P2** with the same time as **P1** .

Setting high / low Temperatures

Setting "DAYTIME" high temperature.

Default Settings: **TEMP** 23 °C/74 °F

Press SET to scroll to **TEMP**

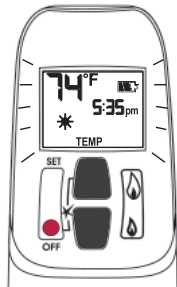
Hold SET button until TEMP flashes.

To set Daytime Temperature:

= increases temperature.

= decreases temperature.

Press or wait to complete setting.



Setting P1 time - high temperature.

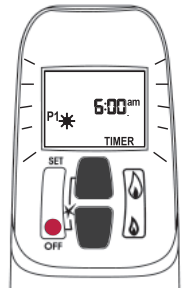
Hold SET button until **P1** is displayed and time flashes.

To set time:

= hour

= minutes

Press or wait to complete setting.



Setting "NIGHT TIME SETBACK" low temperature.

Default Settings: **TEMP** "--" (OFF)

Press SET to scroll to **TEMP**

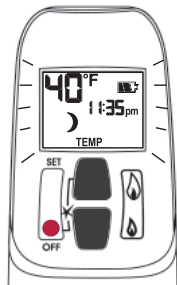
Hold SET button until TEMP flashes.

To set Night Time Temperature:

= increases temperature.

= decreases temperature.

Press or wait to complete setting.



Setting P1 time - low temperature.

Hold SET button until **P1** is displayed and time flashes.

To set time:

= hour

= minutes

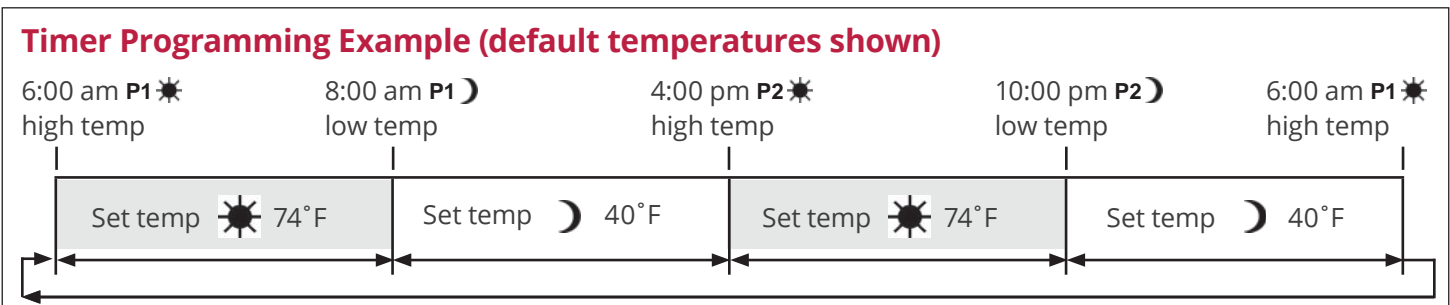
Press or wait to complete setting.

Appendix B—Remote Control Operation

Setting P2 high and low temperature times.

Repeat same steps as Setting P1.

When all settings are complete, press ● to save them.



Automatic Turn Down

8 Hour no Motor Movement

The valve will turn to pilot flame if there is no motor movement for an 8-hour period.

Automatic Shut-Off

Low Batteries Receiver. With low battery power in the battery holder the system shuts off the fire completely. This does not apply when the power supply is interrupted.

On-Demand Pilot (7 Day Shut-Off). This green feature eliminates gas energy consumption during extended appliance inactivity. When the appliance is inactive for an extended period of time the system automatically extinguishes the pilot. This feature helps the consumer realize cost benefits by automatically eliminating energy consumption during non-heating months and limited use.

The programmed length of inactivity to activate the system is specified by the appliance manufacturer and cannot be altered in the field.

Low Battery Indication

Handset: The battery icon  will show when the battery needs to be replaced. Replace with one 9 V **alkaline**

Caution

DO NOT USE a screwdriver or other metallic object to remove batteries from holder. This could cause a short-circuit.

battery.

Battery holder: Frequent 'beeps' for 3 seconds when the valve motor turns indicate the batteries need to be replaced in battery holder. Replace with four 1.5 V **alkaline** batteries.

Handset / Receiver Match

The remote control handset and receiver are programmed to function together. In case of a replacement of the handset or the receiver, you will need to reset the receiver to allow them to function together. Contact your dealer for details.

Appendix C—Spare Parts

	Description	Part Number
1	AutoFire Exhaust slide assembly	4006540
2	Exhaust slide gasket	4001662
3	Shrouds (2)	4003295AZ
4	Side brick anchors (2)	4001283
5	LH Explosion relief assembly	4003681
6	RH Explosion relief assembly	4003680
7	Valve access panel	4002510
8	Valve access panel gasket	4002664
9	Valve access cover	4002806
10	Contemporary burner platform	4005341
11	Window frame assembly (inc. glass)	4004409
12	Hot glass warning plate	4003093
13	Burner module assembly (natural gas)	4005215S
	Burner module assembly (propane gas)	4005346S
14	Top gasket	4003238
15	Side gaskets (2)	4002404
16	Bottom gasket	4003237
17	Thermocouple/pilot sealing plate	4002700
18	Pipe sealing plate	4004338
19	Switch bracket	4002566
20	Straight connector	220K891
21	Valve to elbow pipe	4005247
22	Thermocouple interrupter	4001037
23	GV60 valve assembly (natural gas)	4006011S
	GV60 valve assembly (propane gas)	4006012S
24	36" flex pipe	4002475
25	Pilot Assembly (natural gas) 51	4006030
	Pilot Assembly (propane gas) 30	4006031
26	Thermocouple (1000 mm)	4004801
27	Pilot Injector #51 (natural gas)	4000735
	Pilot Injector #30 (propane gas)	4000736
28	Pilot Hood 2 Flame	4001756
29	Pilot shield	4004559AH
30	Extended Nut	4001855
31	Electrode	4001856
32	Injector nut	420K464
33	Injector elbow #750 (natural gas)	4000738
	Injector elbow #260 (propane gas)	9730007
34	Insulation sleeve for ignition cable	4002244
35	Ignition cable (900 mm)	4004800
36	Cable interrupter	4001035
37	Switch with cable	4001036
38	Wiring harness	4001187
39	Receiver MAX (GX)	4002422

	Description	Part Number
40	Auxiliary battery holder & cable	
a	Battery holder	4006553
b	Battery holder cable 1500mm	4006552
41	Handset GV60 MAX	4002251
42	Remote control wall holder	9000008
43	Driftwood Kit	700XDWK
44	Log & pebble set	4005542
45	RH rear log	4005536
46	LH rear log	4005535
47	LH cross log	4005537
48	White beach pebble	4003084
49	Black beach pebble	4003085
50	Small grey beach pebble	4003086
51	Beige beach pebble	4003087
52	Ash embers, grey - bagged (2)	4005812
53	Splinters, grey - bagged	4005813
59	Decorative Glass Murano	700XDGM
60	Pilot shield cover	4005342AH
61	Glass pad	4005343
62	Glass platform	4005332
63	Platform retainers (2)	4005333BY
64	FG-01 Clear fireglass - bagged	4004521
65	Emberbed cover	4005531BY
66	Liner panels—complete set	
a	Ledgestone V3	705LSLV3
b	Reflective Glass	706RGL
c	Ceramic fluted black	707FBL
d	Valor red brick	708VRL
67	Top panel	
a	Ledgestone V3	4008182
b	Ceramic black	4003202
c	Ceramic black	4003202
d	Valor red brick	4003220
68	Rear panel	
a	Ledgestone V3	4008183
b	Reflective Glass	4004704
b	Rear filler panel	4004804
c	Ceramic fluted black	4003210
d	Valor red brick	4003219
69	Left side panel	
a	Ledgestone V3	4008184
b	Reflective Glass	4004705
b	LH filler panel	4003466
c	Ceramic fluted black	4003208

Appendix C—Spare Parts

	Description	Part Number
d	Valor red brick	4003217
70	Right side panel	
a	Ledgestone V3	4008185
b	Reflective Glass	4004706
c	Ceramic fluted black	4003209
d	Valor red brick	4003218
71	GV60 Valve repair kit	4004544
72	2.5-4.5" hose clamp (2)	4000768

Appendix C—Spare Parts

