

Co-Axial Venting

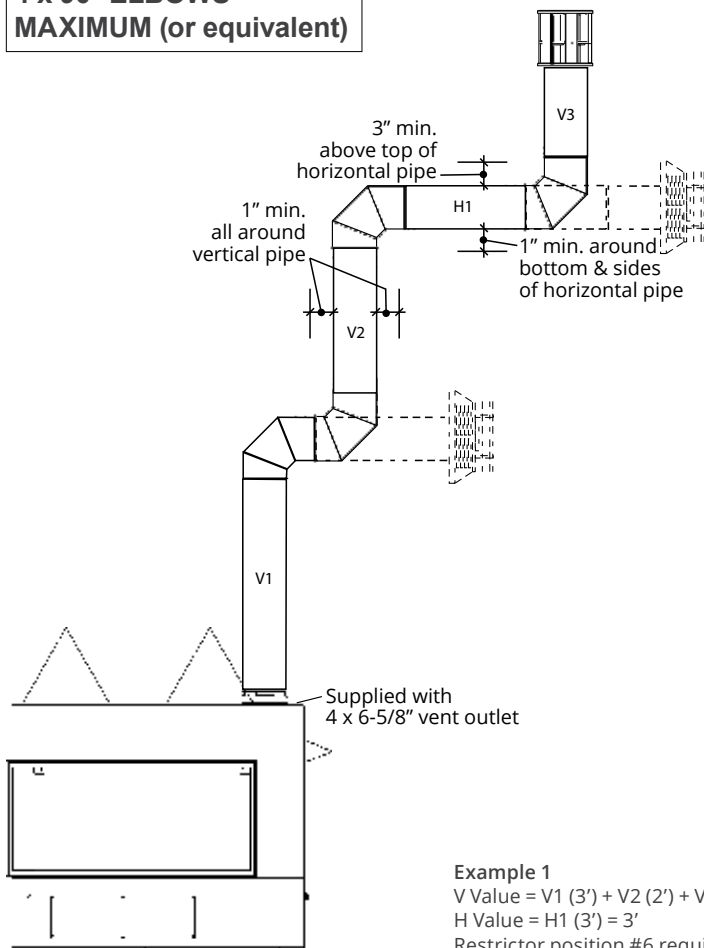
How to Read the Venting Chart

The chart below applies to co-axial roof or wall termination.

1. Maximum 18 inch horizontal pipe section allowed when using a 90° elbow directly at the appliance. 45 degrees elbow ok on horizontal plane, along with 18" horizontal pipe.
2. The total length of the vent pipe cannot exceed 40 feet.
3. The minimum vertical height with roof termination is 6 feet.
4. Any combination of rise and run can be used as long as they are within the allowable limits shown on the chart below.
5. A maximum of 4 x 90 degrees elbows—or equivalent (2 x 45 degrees = 90 degrees)—can be used.

Venting Chart with 4" x 6-5/8" pipes

**4 x 90° ELBOWS
MAXIMUM (or equivalent)**

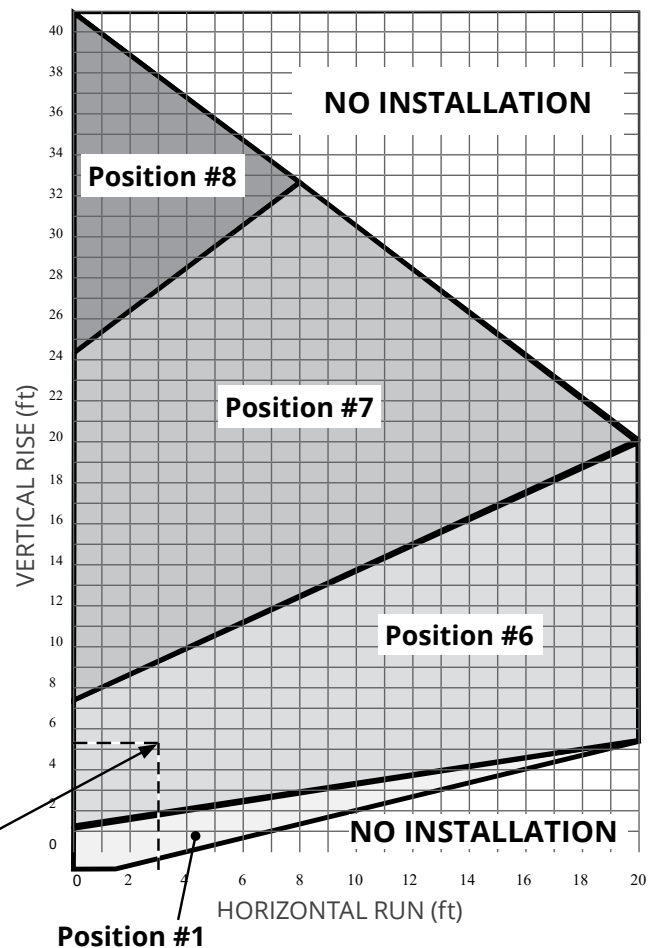


Example 1
 $V \text{ Value} = V1 (3') + V2 (2') + V3 (1') = 6'$
 $H \text{ Value} = H1 (3') = 3'$
 Restrictor position #6 required

6. Each 90° elbow installed on the horizontal plane is equivalent to a 3 feet horizontal pipe; therefore, 3 feet must be subtracted from allowable horizontal run. (45 degrees elbow is equivalent to 18 inches horizontal pipe.)
7. All horizontal pipe runs must be graded 1/4 inch per foot upwards in the direction of the exhaust flow. The final pipe length, when terminating through the wall may be graded downwards slightly to prevent water migration.
8. A restrictor adjustment is required for most installations having a vertical rise—see next section.

Note: The restrictors are shipped installed at the exhaust exit of the firebox, in Position 1.

Allowable Co-Axial Vent Configurations with restrictor positions



Co-Axial Venting

Minimum Vertical Vent

Below is the minimum vent height when the elbow is placed directly on the appliance collar*. If calculating the vent height using additional vent lengths, subtract approximately 1-1/2" for each pipe joint. For example, an additional 12" pipe section will add approximately 10-1/2" overall to this dimension.

