



LT2 2700K

December 2023
1/2

Concept

Note: This appliance may be installed in outdoor, weather protected environments as defined in the GV60CKO Outdoor Conversion Kit instruction manual.

1/2 inch thick non-combustible board - **NOT supplied**

Remote Handset Wall Holder

Mantel—See Mantel & Hearth Clearances

Surround Plate with Barrier Screen (required)

1" Trim 2775LFB accepts additional finish (maximum 1/2" thick) over non-combustible board and behind trim.

2730CIK installs **before** non-combustible board. Combustible or non-combustible board finishes up to perimeter of trim.

Wall Finish

Combustible wall finishes up to 1" thick are allowed over top of the non-combustible board. Combustible mantel are ok provided they conform to specifications in the Installation Manual

Combustible Floor

Hearth: not required. If used, a combustible hearth **must be** minimum 4" below fireplace opening.

Required HeatShift plenum (LDK4 pictured)

Required HeatShift piping

Framing—See Framing Requirements

2700K heater

Remote Battery and Wall Switch Kit c/w 35-foot wire length (supplied)

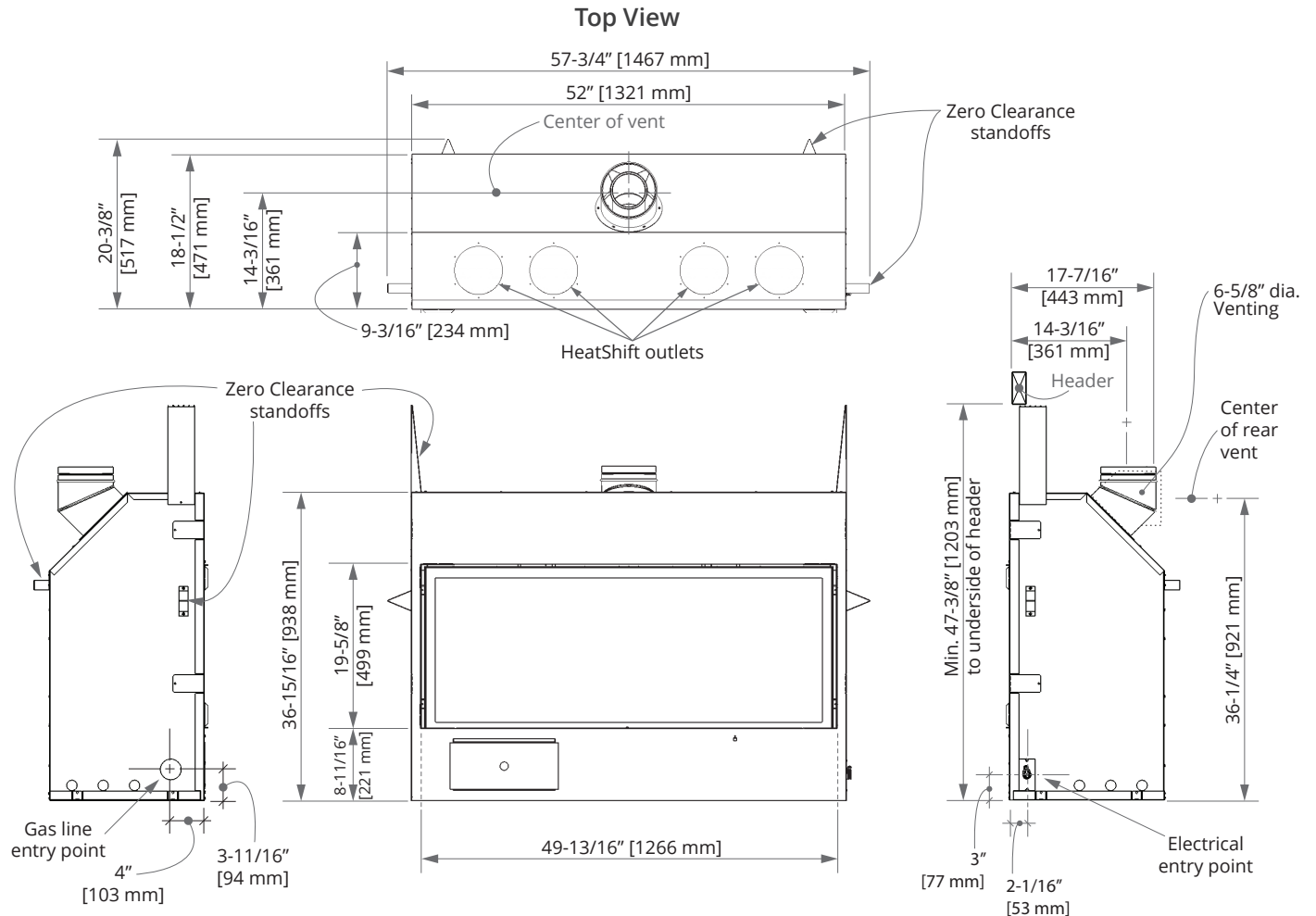
Electrical junction box to connect power when using lighting or optional WIFI

Combustible Framing Allowed Beneath Fireplace. When the appliance is installed directly on carpeting, tile or other combustible material other than wood flooring, the appliance shall be installed on a metal or wood panel extending the full width and recessed depth of the appliance.

Valor[®] LT2 2700K

December 2023
2/2

Dimensions



Left Side View

Front View

Right Side View

