

Valor[®] LT1 2500K

March 2023
1/3

Cement Board

Material Specifications

Non-Combustible

Material which will not ignite and burn. Such materials are those consisting entirely of steel, iron, brick, tile, concrete, slate, glass or plasters, or any combination thereof.

Materials that are reported as passing ASTM E 136, Standard Test Method for Behavior of Materials in a Vertical Tube Furnace at 750°C shall be considered non-combustible materials.

Combustible

Materials made of or surfaced with wood, compressed paper, plant fibers, plastics, or other material that can ignite and burn, whether flame proofed or not, or plastered or unplastered shall be considered combustible materials.

Non-Combustible Cement Board

The LT1 Linear fireplace requires a 1/2" (13 mm) thick non-combustible cement board to be used as a wall surface immediately surrounding the unit's opening—see diagram for minimum coverage.

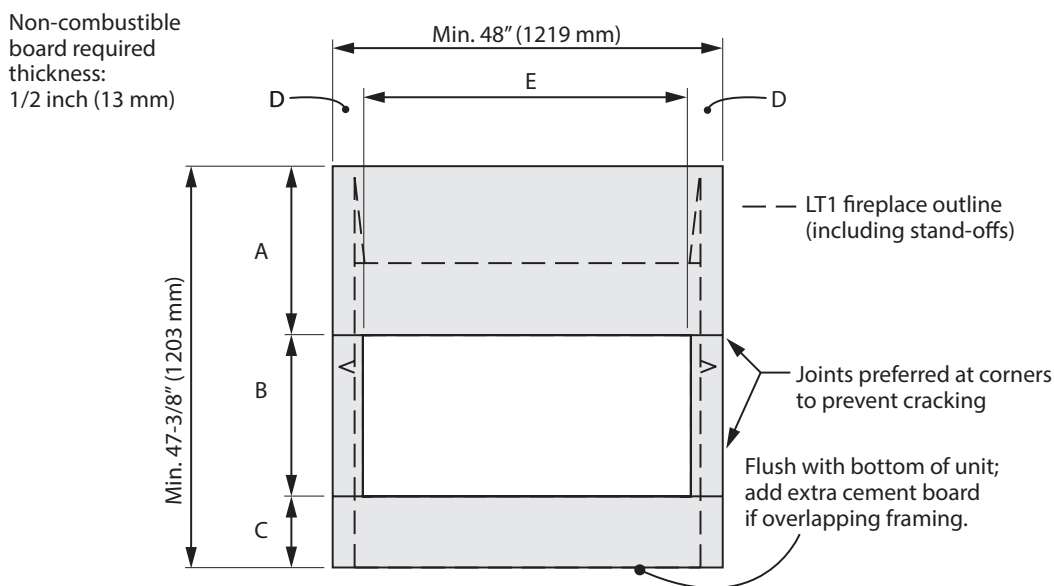
Extending the cement board well beyond the minimum shown will help avoid cracking due to differential expansion of materials.

Pre-drill cement board with oversized holes and do not over-tighten screws to avoid cracking due to heat expansion.

Standard gypsum wall board may be used beyond the perimeter of the cement board.

inches [mm]	With 2575 trim	With 2530CIK trim
A	Min. 20-1/2 [521]	Min. 20-1/8 [511]
B	19-1/2 [496]	21 [533]
C	Min. 8-11/16 [221]	Min. 8 [203]
D	Min. 4 [102]	Min. 3-3/8 [84]
E	Min. 39-7/8 [1011]	Min. 41-1/8 [1045]

Minimum coverage area of non-combustible board.
Any **wall** finish applied to shaded area must be non-combustible.



Valor[®] LT1 2500K

March 2023
2/3

Wall Finish — Trims

Non-Combustible Finishing Over Non-Combustible Board

Additional material such as tile, etc., may be applied over top of the non-combustible board or you may choose to leave it finished clean with no tile, etc.

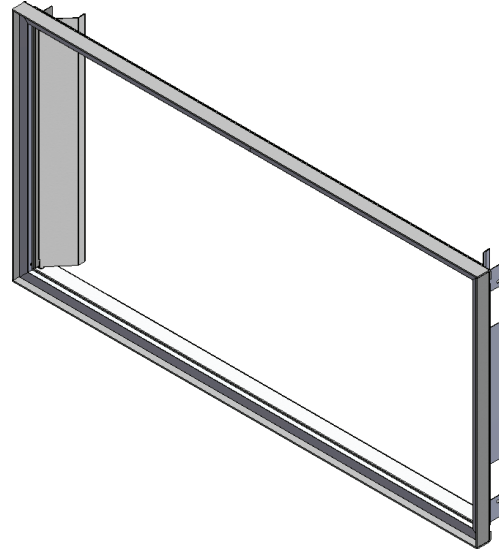
Be aware that a trim is always required. Finish should not cover the trims.

2575 Trim

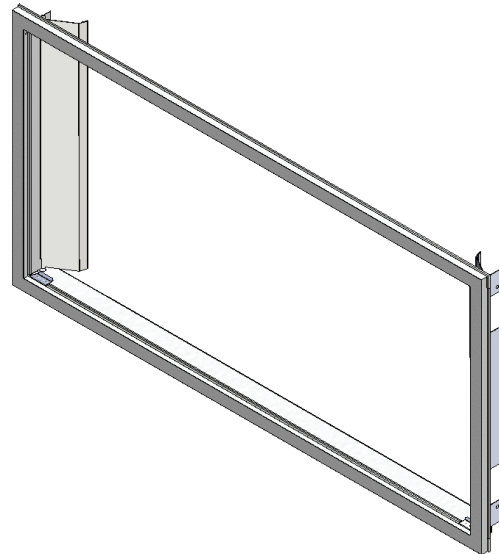
Only the 2575 style trim will accept tile, etc. tucked behind it (up to 5/8" thick for the 2575).

2530 Trim

2530 trim must be installed BEFORE non-combustible board. Non-combustible board and finishes are applied to the perimeter of the trim frame. Non-combustible board and finish CANNOT be tucked under this trim.



Clean Installation Kit (2530) does not adjust forward. Non-combustible board finishes up to perimeter of the trim. Must be installed **before** finish.



Narrow trim (2575) can adjust up to 5/8" forward of surface of non-combustible board

Valor[®] LT1 2500K

March 2023
3/3

Wall Finish — Avoid Cracking

Avoiding Cracking Wall Finishes

If a clean finish with no tile, etc. is desired, joints in the non-combustible board and the transition to gypsum board will require special attention if future cracking is to be controlled. Be aware that temperatures on the non-combustible wall surface above the appliance can exceed 200°F (93°C).

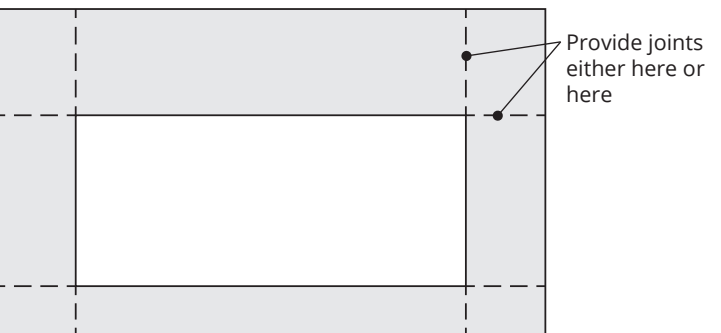
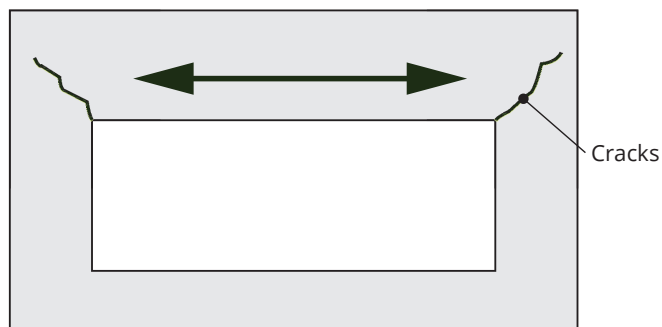


WARNING

HeatShift System MUST be installed on this appliance.

Below are some tips on how to best avoid any cracking:

- Allow materials to dry thoroughly before finishing the wall. Non-combustible board has the ability to absorb up to 30 percent of its weight in water and may shrink as much as 1/8" over a 48" length when drying from a saturated condition. Running the fireplace for an extended period before final finishing will help drive out moisture.



- Always pre-drill screw holes through non-combustible board and use screws with self-milling head.
- Always use mesh tape over joints.
- Always stagger joints in wall board.
- Behind joints, double up studs or use studs "on the flat" to add extra support to the joint. Adhesive on the backside of wall board behind any joints can help control differential movement.
- Use multiple, thinner coats of joint compound and allow to dry thoroughly between coats.
- Ensure framing materials are dry.
- After finishing the wall, introduce heat gradually to slowly dry any excess moisture rather than drying too fast.
- Avoid notching non-combustible board or tiles around corners of window opening and instead provide a joint that intersects the corner.
- Avoid using large one-piece slab of material with a cut-out in the middle as a surround for the fireplace. Expansion above the opening will cause cracking at inside corners. Provide a joint that intersects the inside corner to avoid cracking.