

INSTALLATION MANUAL



HeatShift



LDK HeatShift Kits (LDK1, LDK2, LDK3, LDK4, LDK5, LDK6 & LDK7)

CSA approved for use with the following **Valor Heater Models ONLY:**

Optional with 1100J, 1150J, 1400J, 1400K, 1500J, 1600J, 1700J & 1800J

MANDATORY on all 2200 LX2 Models

Note: This kit must be installed by a qualified installer, service agency or gas supplier **at the time of the heater installation**. These instructions are to be used in conjunction with the fireplace main installation instructions.

INSTALLER: Leave this manual with the appliance.

CONSUMER: Retain this manual for future reference.

Application

This convection duct kit redistributes the warm air flow away from the fireplace opening to a more desirable location using natural convection without use of a fan.

LDK1, LDK3 or LDK4: the warm air flow is relocated to a position higher up the wall, out the sidewalls, or even to an adjacent room.

LDK7: the warm air flow is discharged through a gap (min. 2-1/2") between the wall above the fireplace and the ceiling. **LDK7's discharge opening must be located in the same room as the fireplace.**

The result is much cooler wall temperatures above the fireplace opening for locating televisions, artwork, etc.

The 1195CFK and 1595CFK Circulating Fan Kit are not recommended when installing the LDK Duct Kit.

Any kit, LDK1, LDK3, LDK4 or LDK7 may be used with any of the model fireplaces listed above.

As a further option, the warm airflow may be extracted away from the duct kit plenum (**LDK1 and LDK4 ONLY**) by connecting a 1270RBK Remote Blower Kit to the duct kit plenum.

This kit is compatible with the listed fireplaces only. Earlier version fireplaces will not accept the addition of this kit.

Note: These instructions are to be used in conjunction with instructions supplied with the fireplace.

Note: All fireplaces listed, except 2200 LX2 models, require the removal of the internal convection baffle for this system to function properly—read instructions carefully.

For some models, the use of this kit will permit lower mantel clearances to be used—see pages 15–16. These lower mantel clearances **must only be used when the LDK Duct system is installed and the internal convection baffle has been removed.**

Approvals

The LDK1, LDK3, LDK4 and LDK7 duct kits are CSA approved for use only with Valor Series fireplaces listed above—**DO NOT** use with any other models.

This HeatShift system may also be used to reduce wall surface temperatures on approved outdoor installations.

5-inch diameter duct used with this kit must be metal and meet requirements of UL-181 Class 1 Air Duct. Flexible aluminum duct is acceptable provided it meets the UL-181 Class 1 requirements.

Kits

There are 4 kits to choose from:

- LDK1—48" Plenum
- LDK3—14" Plenums (2), includes grilles
- LDK4—38" Plenum
- LDK7—Duct Termination Plates (2)—for wall valance discharge ONLY

Optional accessories

- LDK2—48" Finishing Frame, to use with LDK1
- LDK5—38" Finishing Frame, to use with LDK4
- LDK6— 5" dia Aluminum 2-ply Flex Kit— 2 x 10'-0" lengths, may be cut to required length

⚠ WARNING

DO NOT cover or place objects in front of or on top of air outlet(s). **AVOID** locating outlet within 7 feet above floor level as discharge temperatures are hot!

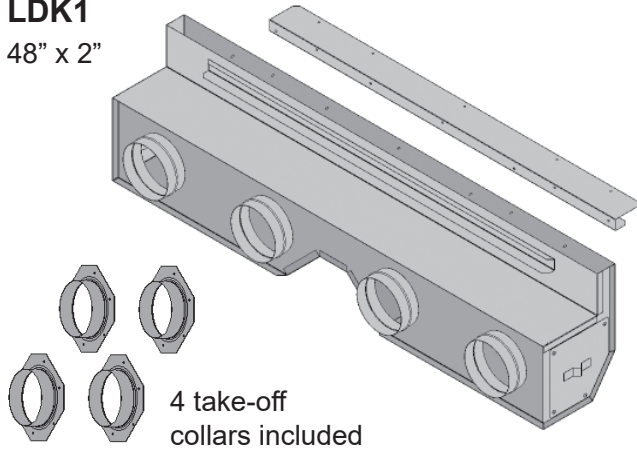
⚠ WARNING

Note, when placing discharge close to ceilings, that staining or streaking may occur on light colored ceilings due to any dust, etc. in air flow; placing the plenum(s) lower on the wall will help reduce the possibility of staining or streaking.

Kits Contents

LDK1

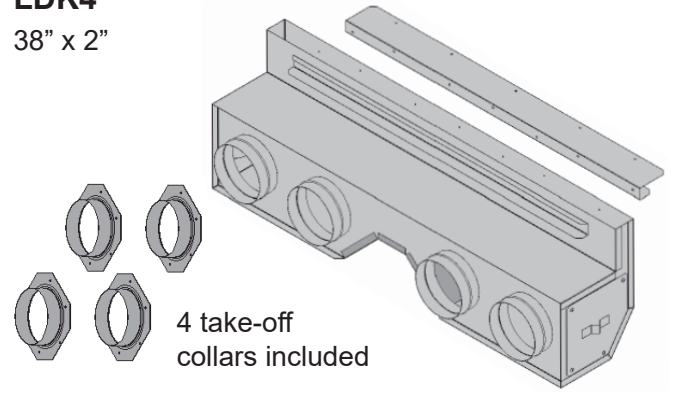
48" x 2"



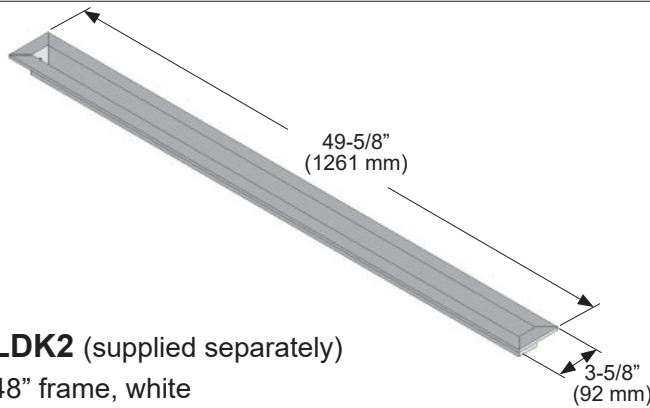
4 take-off collars included

LDK4

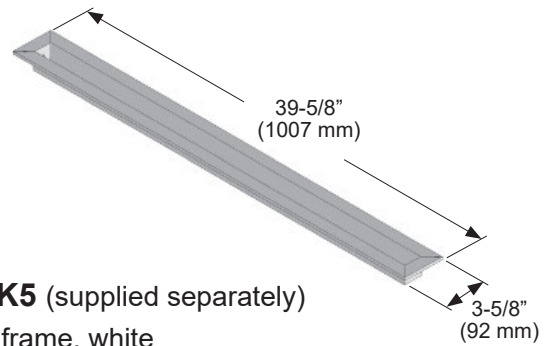
38" x 2"



4 take-off collars included



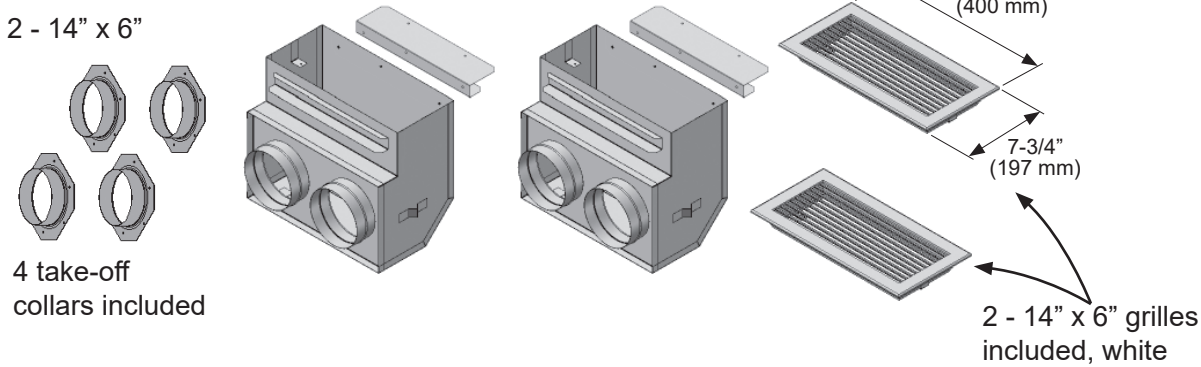
LDK2 (supplied separately)
48" frame, white



LDK5 (supplied separately)
38" frame, white

LDK3

2 - 14" x 6"

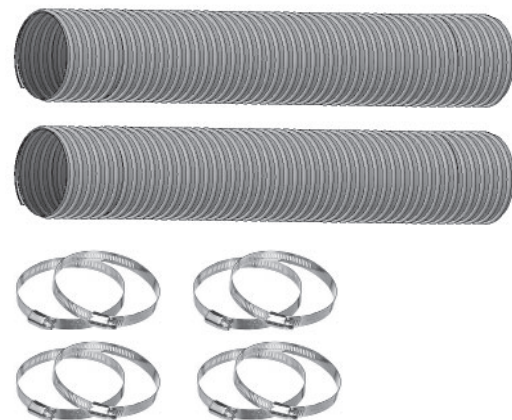


4 take-off collars included

2 - 14" x 6" grilles included, white

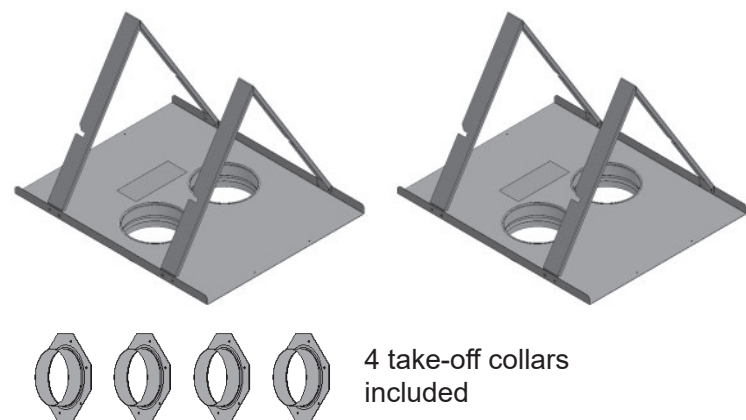
LDK6

2 - 10' x 5" (aluminum flex)



LDK7

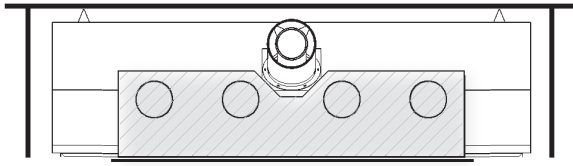
2 Duct termination plates



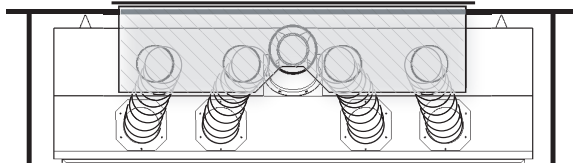
4 take-off collars included

Suggested Configurations Not to scale

Linear Series

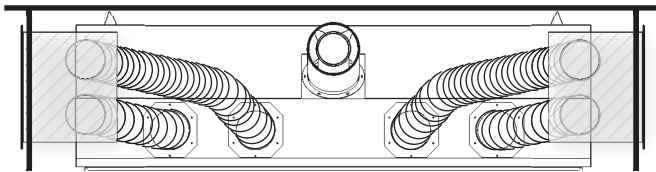


Front wall outlet using LDK1 or LDK4

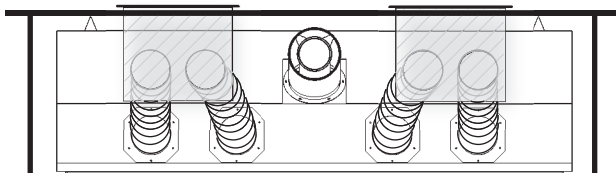


Rear wall outlet using LDK1 or LDK4

Note: Fireplace vent may conflict with plenum. Offset vent around plenum.



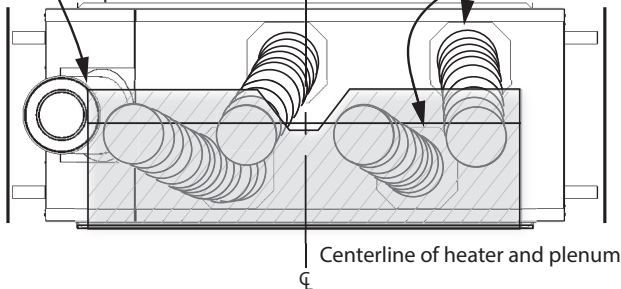
Side wall outlets using LDK3



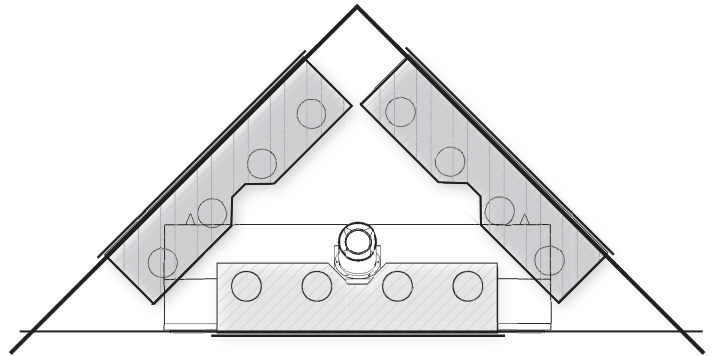
Rear wall outlets using LDK3

Note - Vertical venting straight off the 1600J heater will NOT clear the 38" (LDK4) or 48" (LDK1) plenums without offsetting the vent around the plenum.

Note - Take-off collars are staggered, two per side



1600J L1 2-sided using LDK1 or LDK4



Linear* corner installations with front or rear wall outlet using LDK1, LDK3 or LDK4 (*except 1600J)

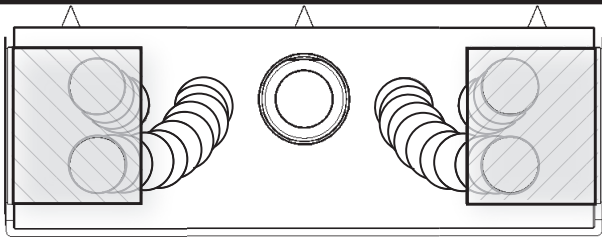
⚠ WARNING

The plenum duct kits are approved for **horizontal discharge ONLY**. The termination duct plates are approved for **vertical upward discharge ONLY**. **DO NOT** install plenum or termination plates in floor or ceiling. **DO NOT COVER OR PLACE** objects in front of or on top of air outlet(s). **AVOID** locating outlet within 7 feet of the floor level as discharge air temperatures are hot! **DO NOT DISCHARGE THROUGH EXTERIOR WALLS!**

NOTE This duct kit may also be used for **outdoor installations** (except 2200) where reduced wall surface temperatures above the unit are desired. The discharge grills must be located under the weatherproof enclosure described in the GV60CKO Outdoor Fireplace Conversion Kit instructions.

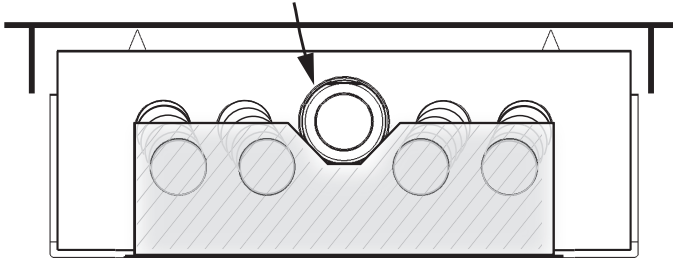
Suggested Configurations Not to scale

LX2 Series



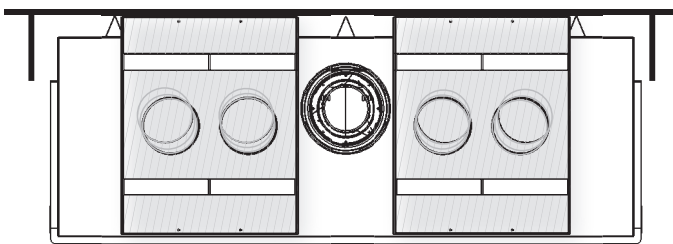
Side wall outlets using LDK3

Note - Vertical 6-5/8" venting straight off the 2200 will pass by notched plenum without offsetting the vent. If using 8" vertical venting, a 20" deep cavity may not accommodate the plenum. Adjust cavity depth accordingly.



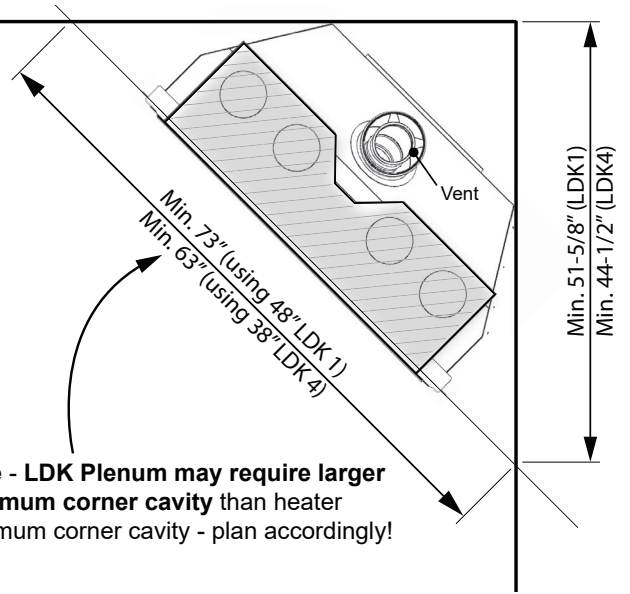
Front wall outlet using LDK1 or LDK4

Note - When using LDK7, the discharge opening must be located in the same room as the fireplace.



With LDK7

H Series corner installations



Note - LDK Plenum may require larger minimum corner cavity than heater minimum corner cavity - plan accordingly!

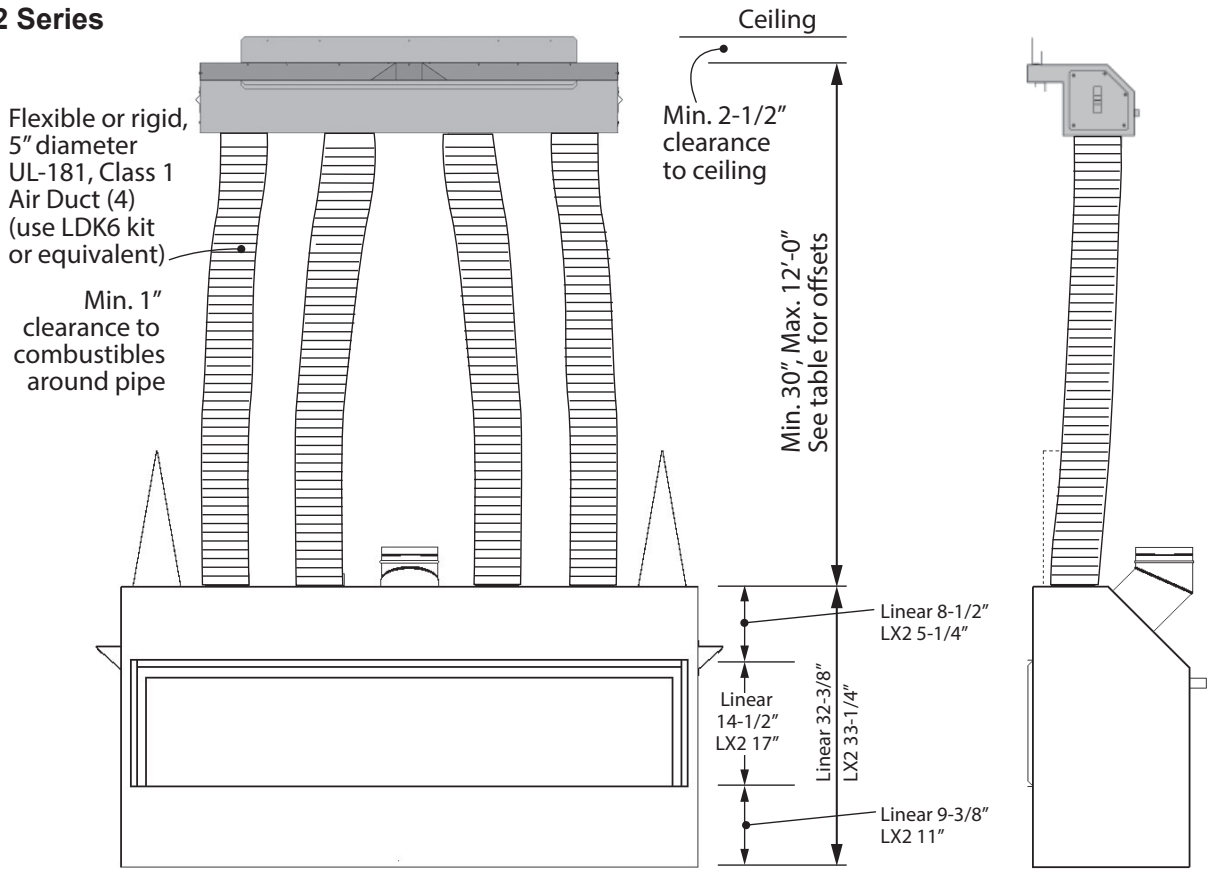
⚠ WARNING

The plenum duct kits are approved for **horizontal discharge ONLY**. The termination duct plates are approved for **vertical upward discharge ONLY**. **DO NOT** install plenum or termination plates in floor or ceiling. **DO NOT COVER OR PLACE** objects in front of or on top of air outlet(s). **AVOID** locating outlet within 7 feet of the floor level as discharge air temperatures are hot!
DO NOT DISCHARGE THROUGH EXTERIOR WALLS!

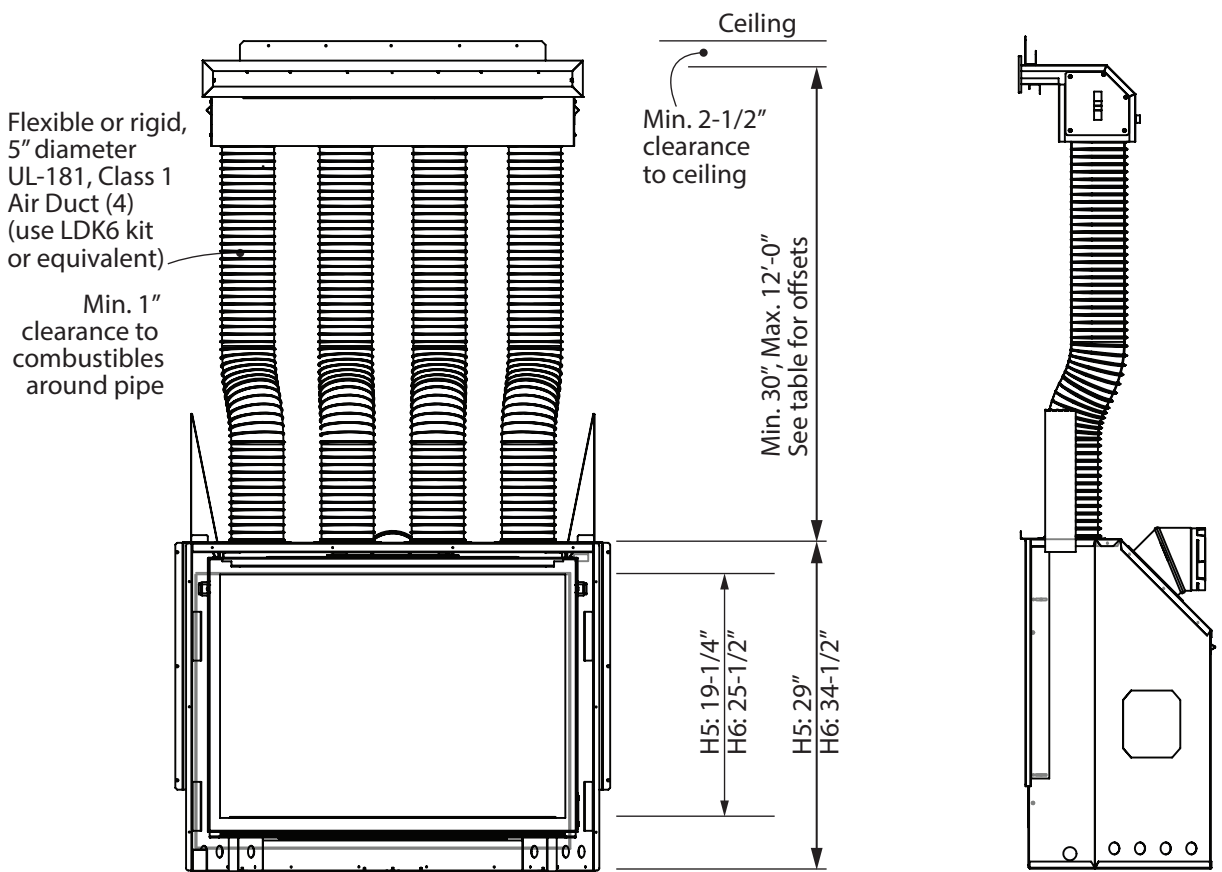
NOTE This duct kit may also be used for **outdoor installations** (except 2200) where reduced wall surface temperatures above the unit are desired. The discharge grills must be located under the weatherproof enclosure described in the GV60CKO Outdoor Fireplace Conversion Kit instructions.

Overview (applies to LKD1, LDK3 and LDK4 kits and listed appliances)

Linear & LX2 Series



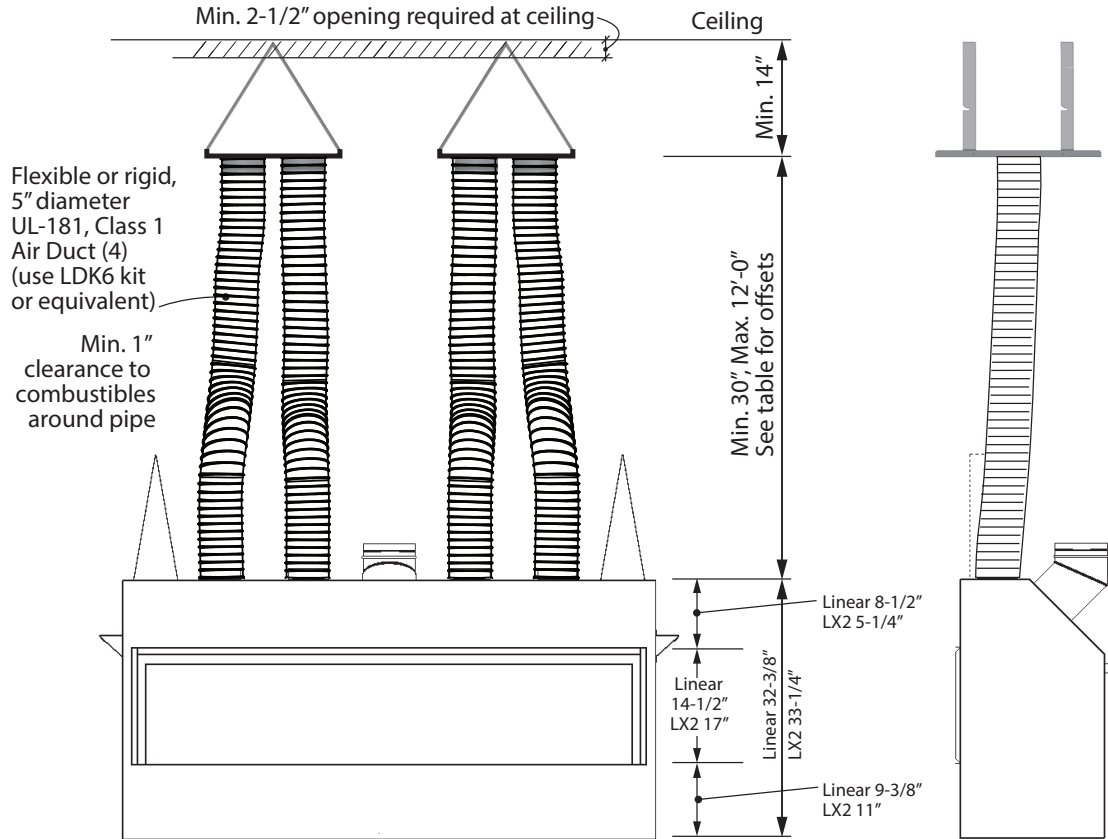
H5/H6 Series



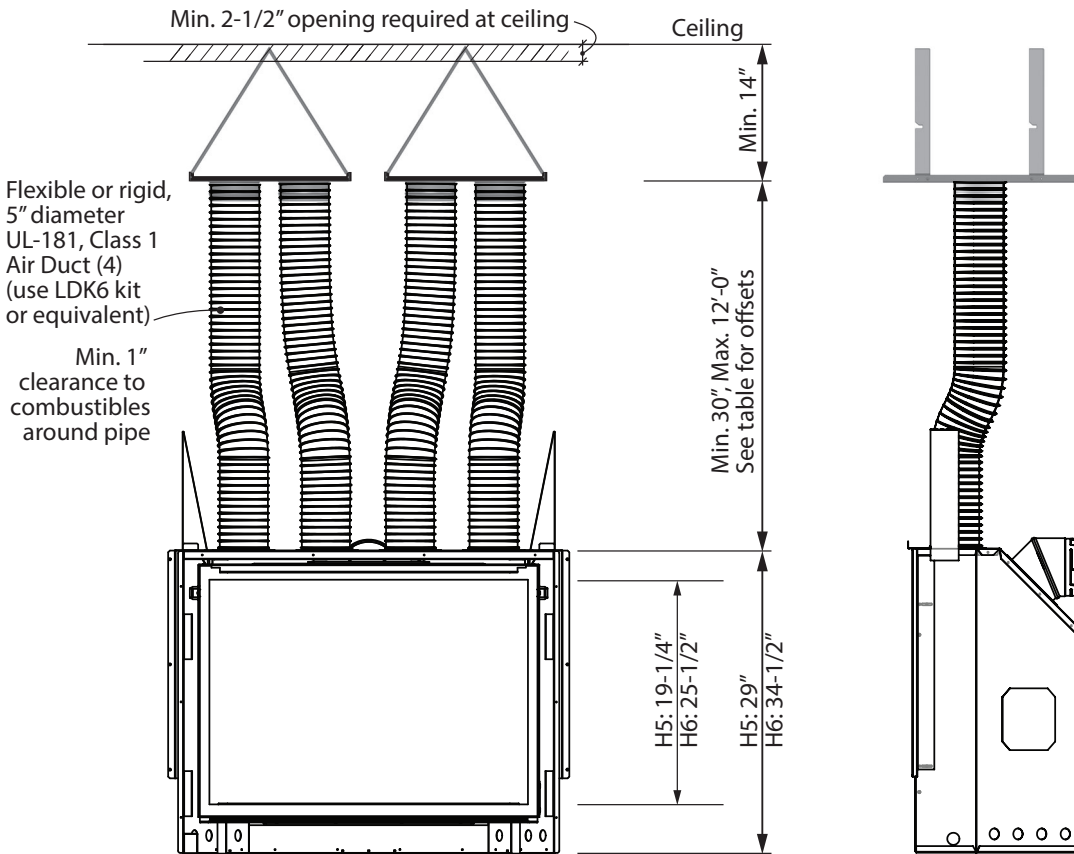
Overview (applies to LDK7 on listed appliances)

Note - Discharge opening must be located in the same room as fireplace when using LDK7.

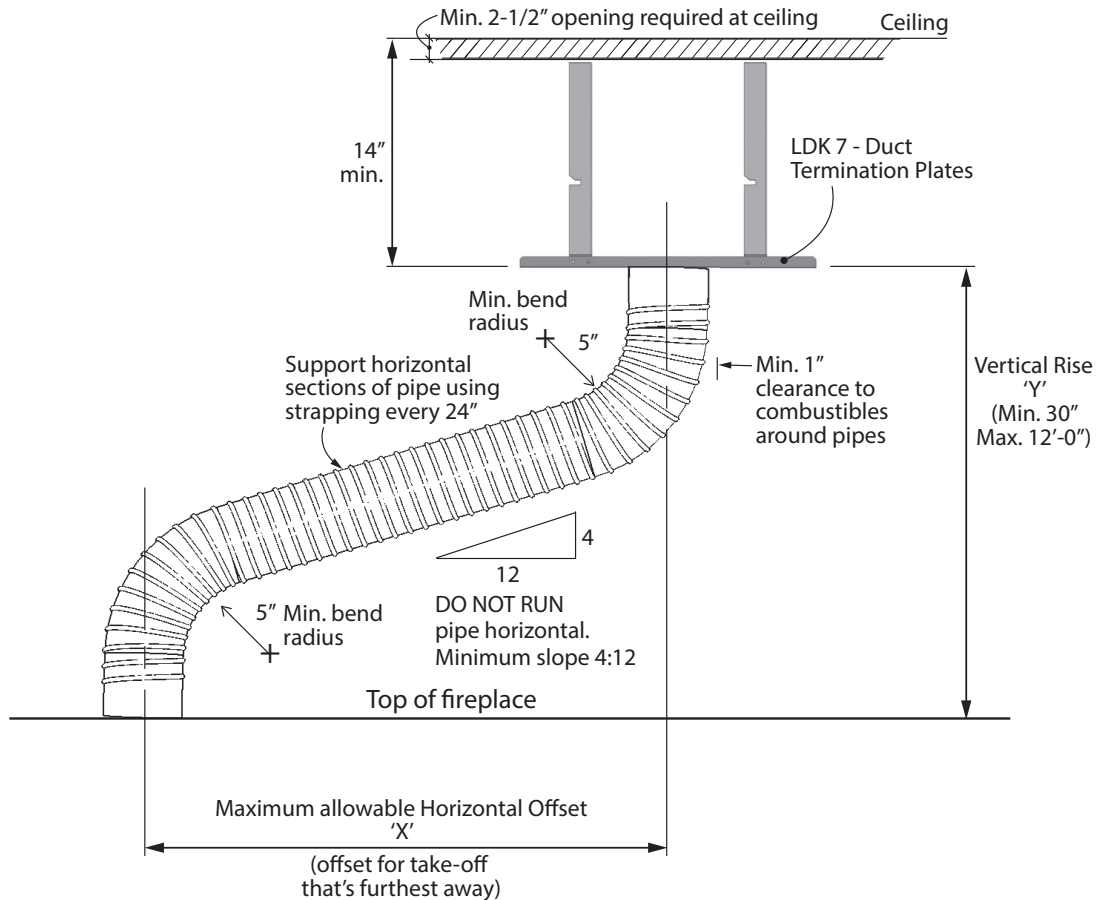
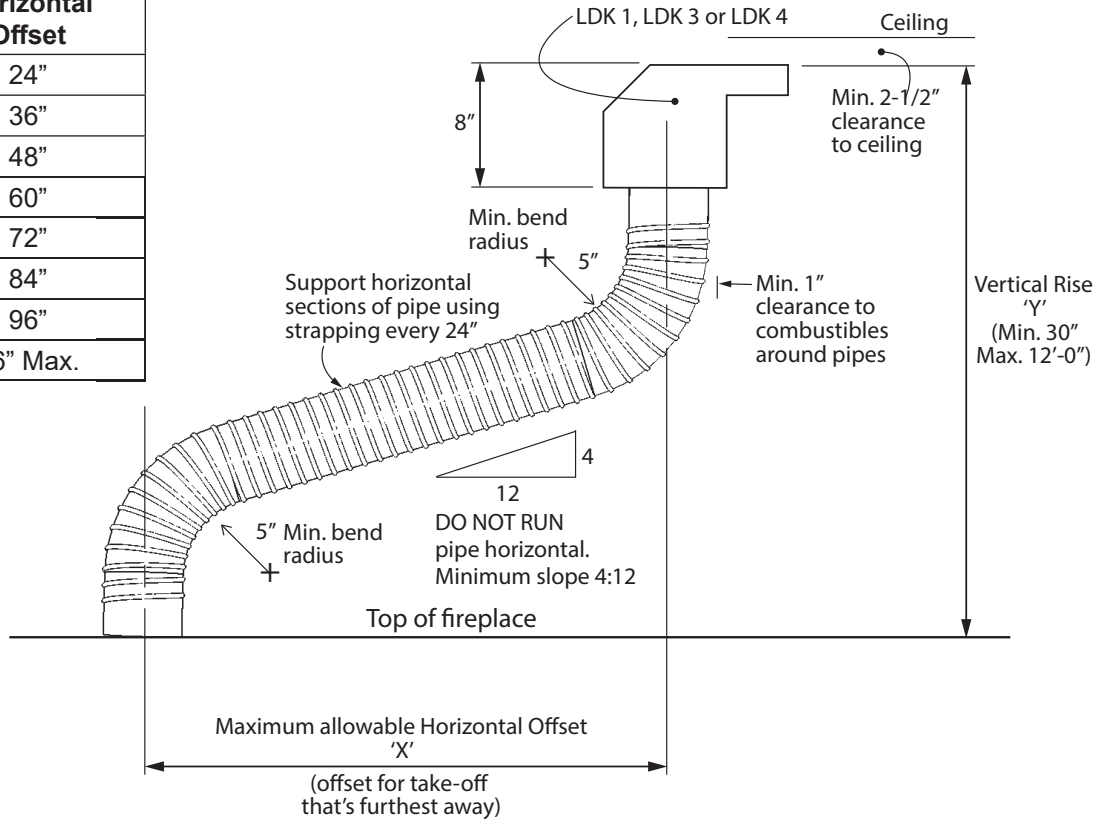
Linear & LX2 Series



H5/H6 Series

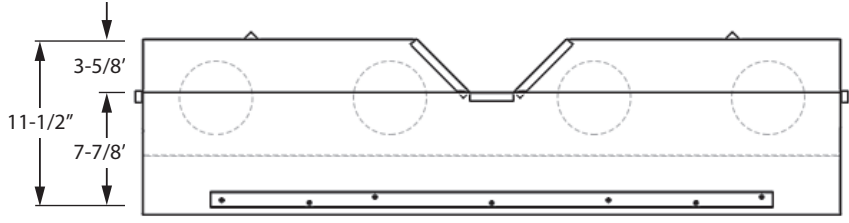


Y Vertical Rise	X Max. Allowable Horizontal Offset
30"	24"
36"	36"
42"	48"
48"	60"
54"	72"
60"	84"
66"	96"
12'-0"	96" Max.

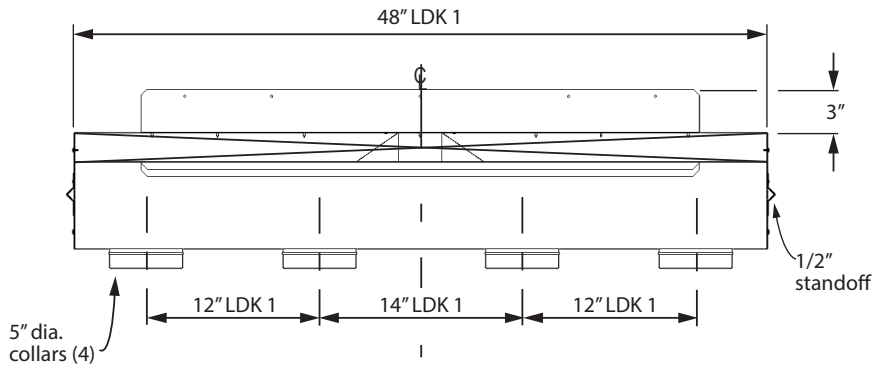


Plenum Dimensions

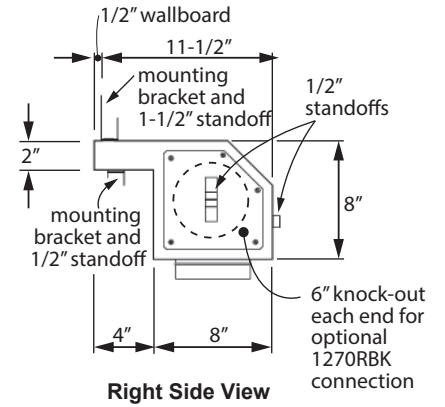
LDK 1



Top View

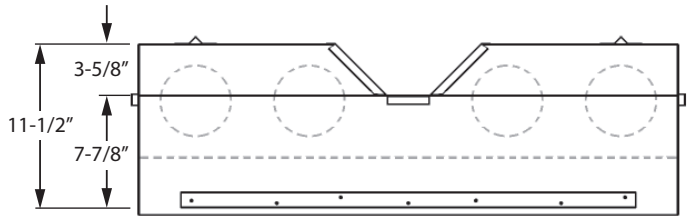


Front View

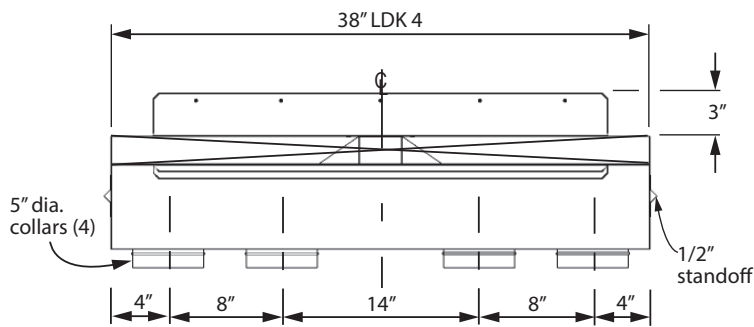


Right Side View

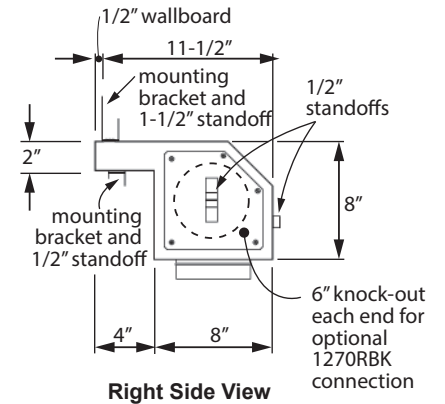
LDK 4



Top View



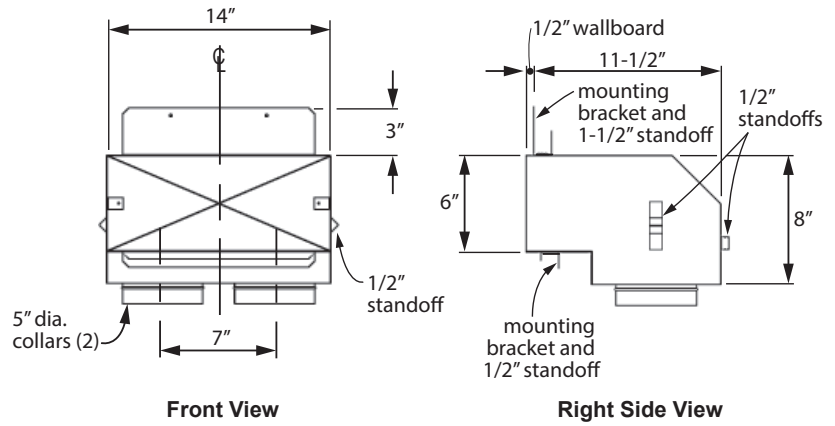
Front View



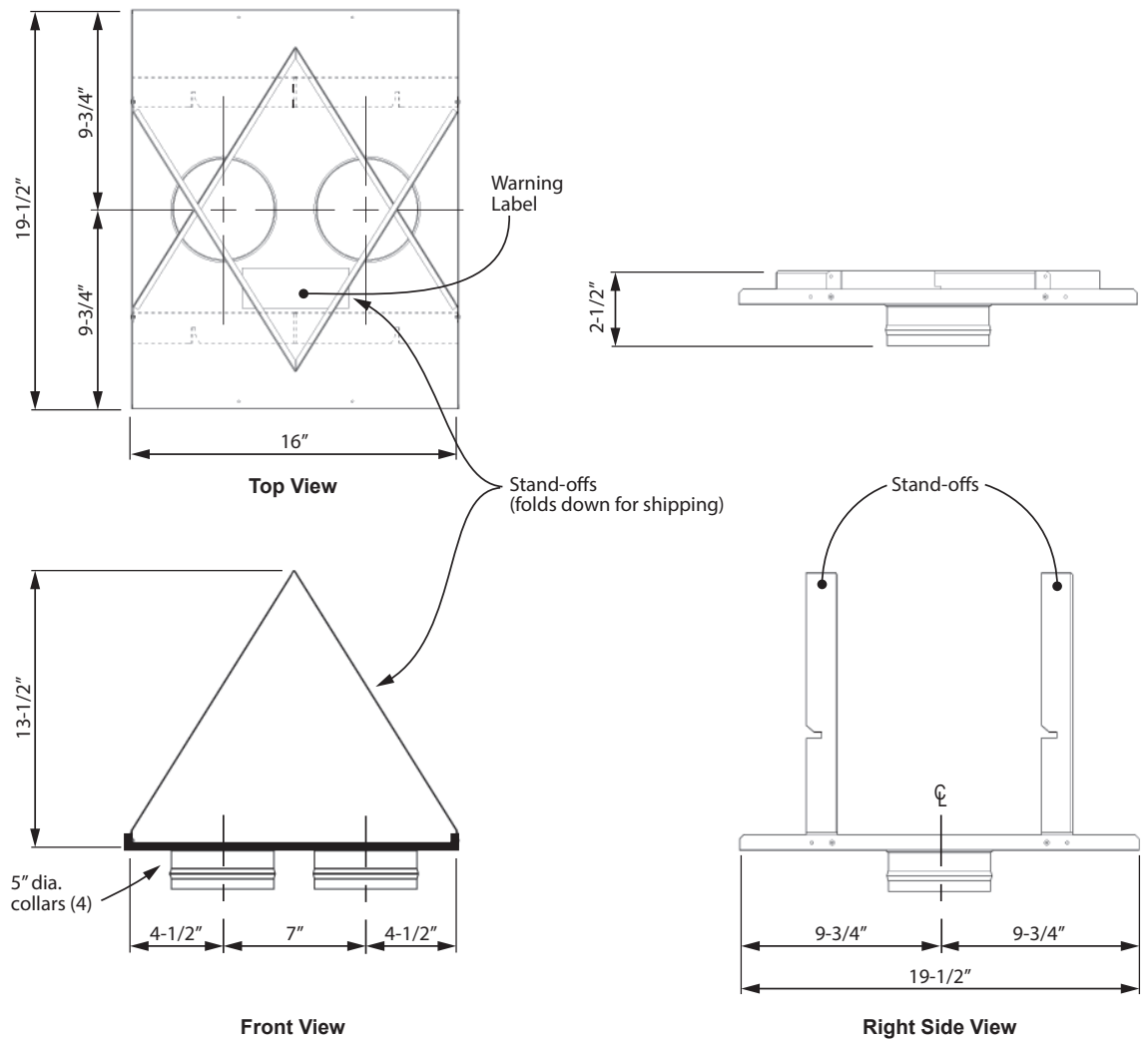
Right Side View

Plenum Dimensions (cont'd)

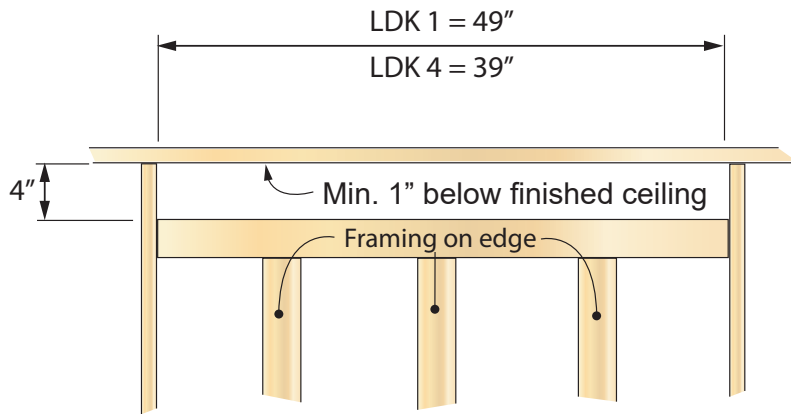
LDK 3



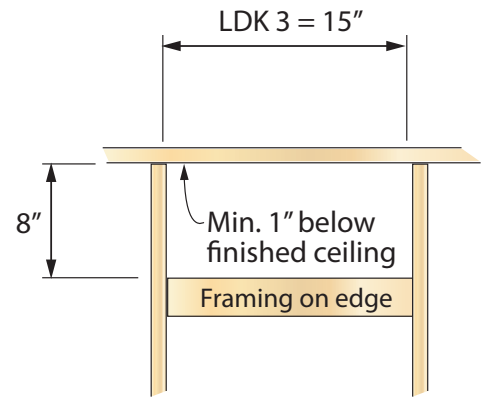
LDK7 Plates Dimensions



Rough Frame Openings

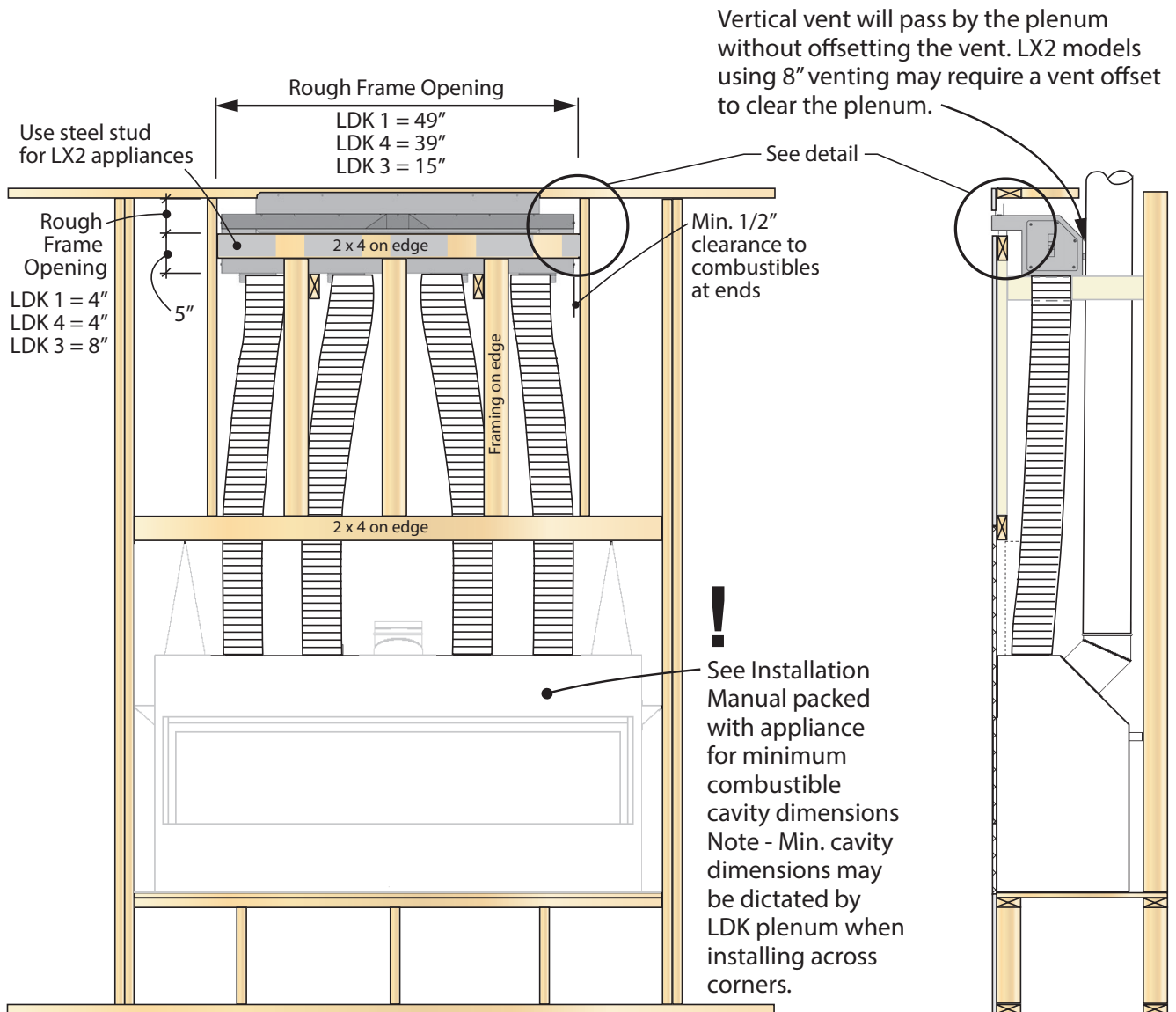


LDK 1 & LDK 4



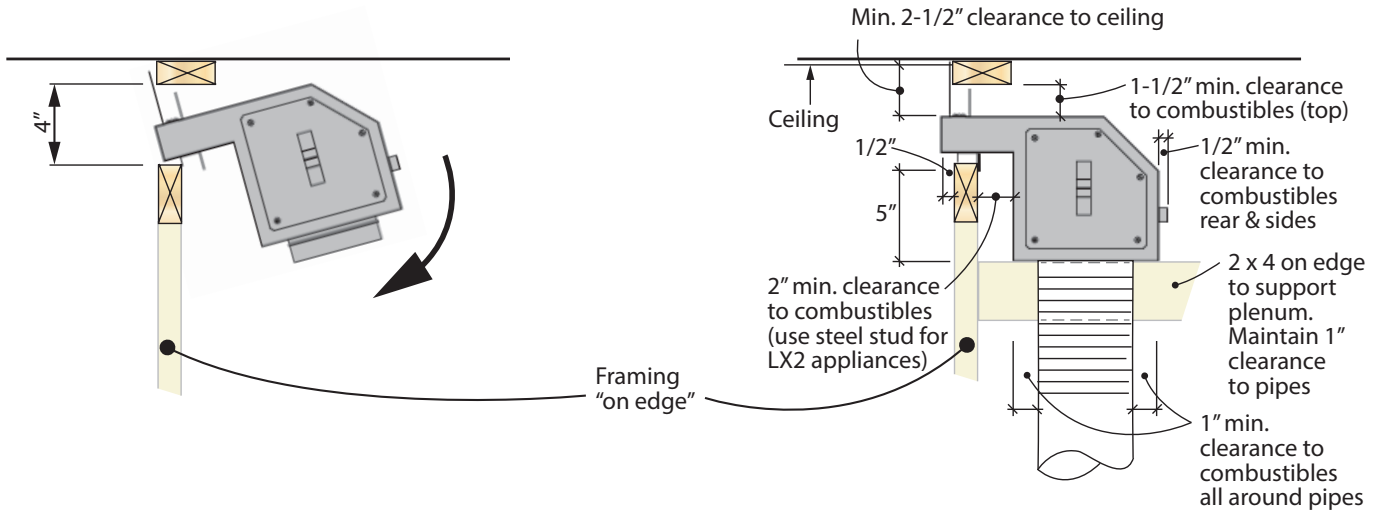
LDK 3

Framing and Clearances—Plenums, front view

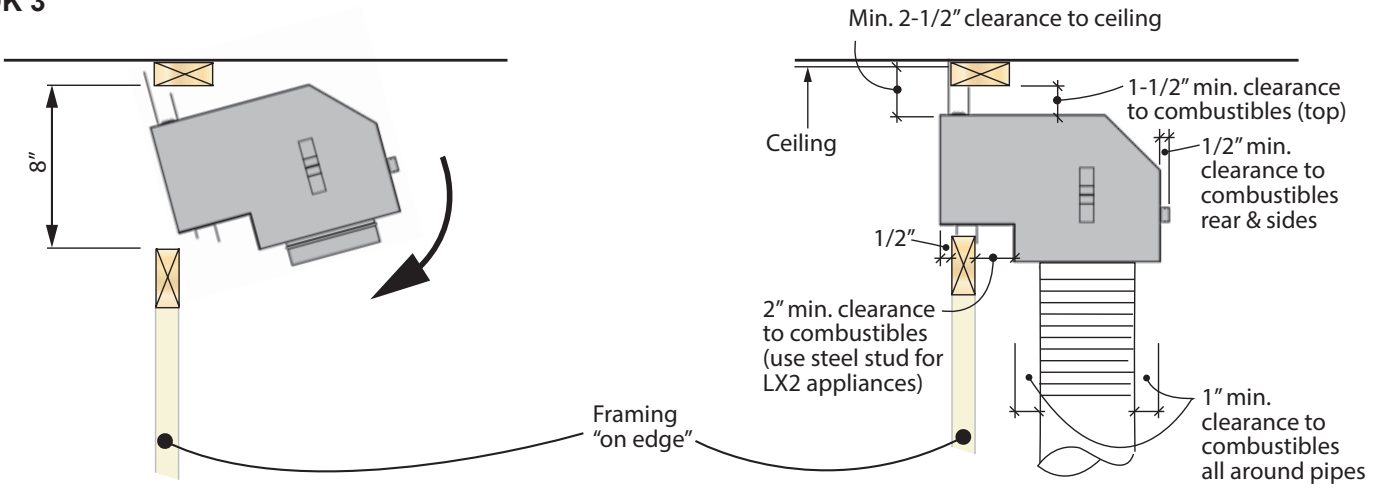


Framing and Clearances—Plenums, side view

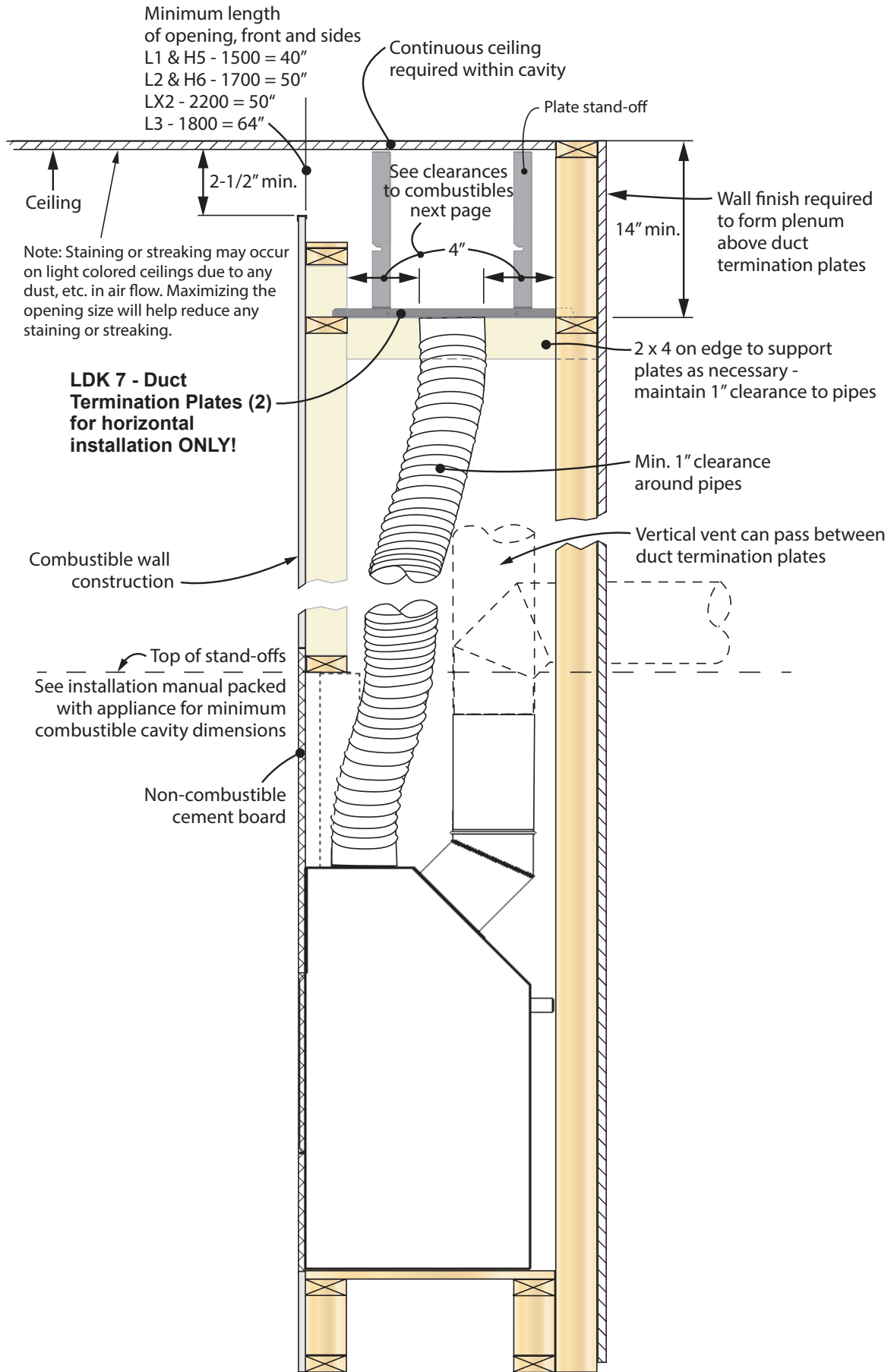
LDK 1 & 4



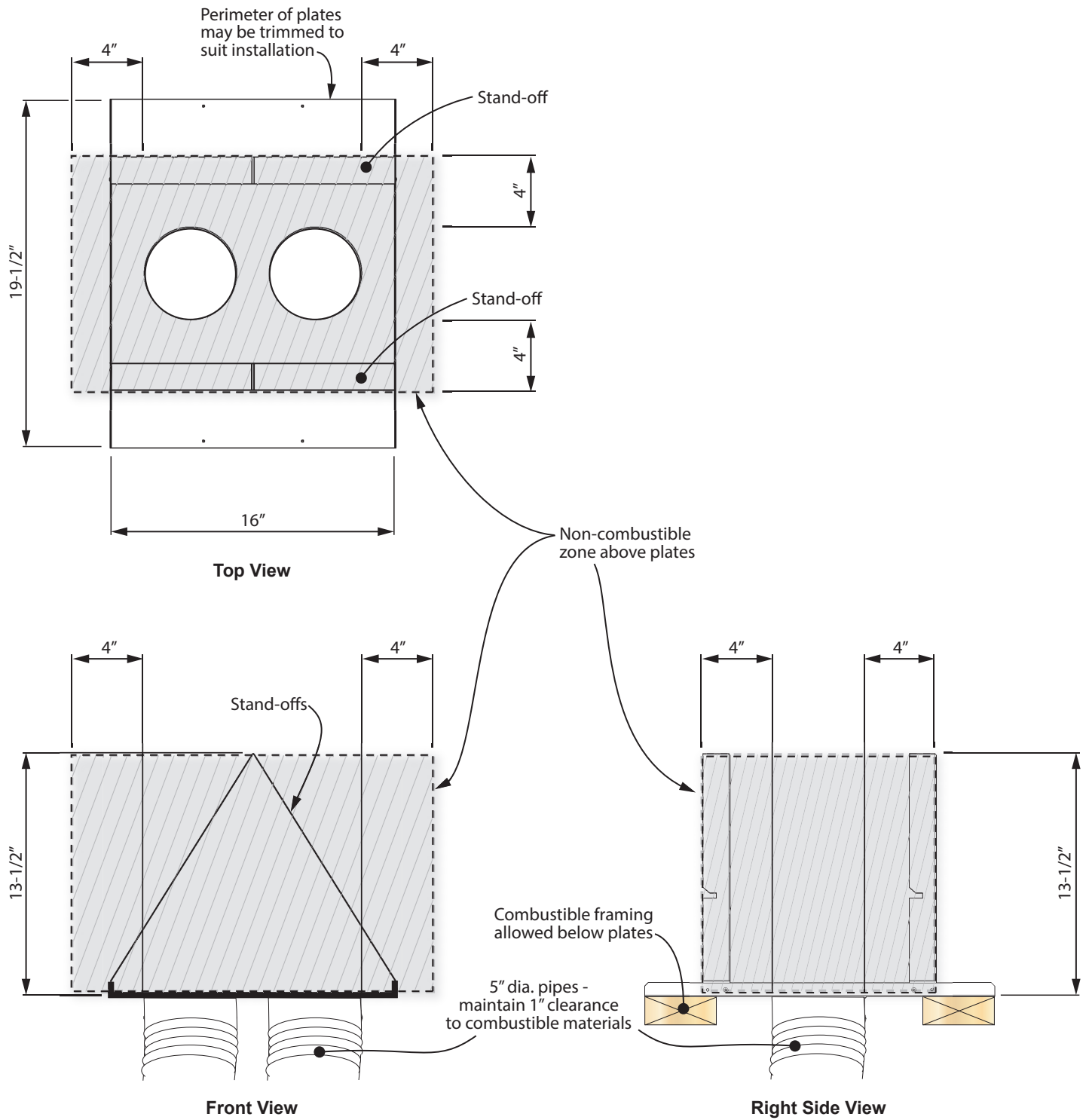
LDK 3



Wall Valance Discharge Opening using LDK7—Duct Termination Plates



LDK7 Clearances to Combustibles



LDK Duct Kit LDK 1, LDK 4 with optional 1270RBK Remote Blower Kit

(not approved with outdoor installations)

Universal take-off supplied with 1270RBK kit.
Can mount to either end of plenum.
Maximum 1 x 1270RBK kit per plenum.
Note: DO NOT CONNECT 1270RBK directly to fireplace when using LDK Duct Kit; connect to LDK plenum ONLY as this will ensure cooler wall temperature whether or not the 1270 fan is running.

See installation instructions packaged with the LDK Duct Kits

LDK1 or LDK4 plenum

5" dia. piping

1270RBK fan unit - see diagram for possible mounting positions. May be positioned higher or lower than LDK plenum position.

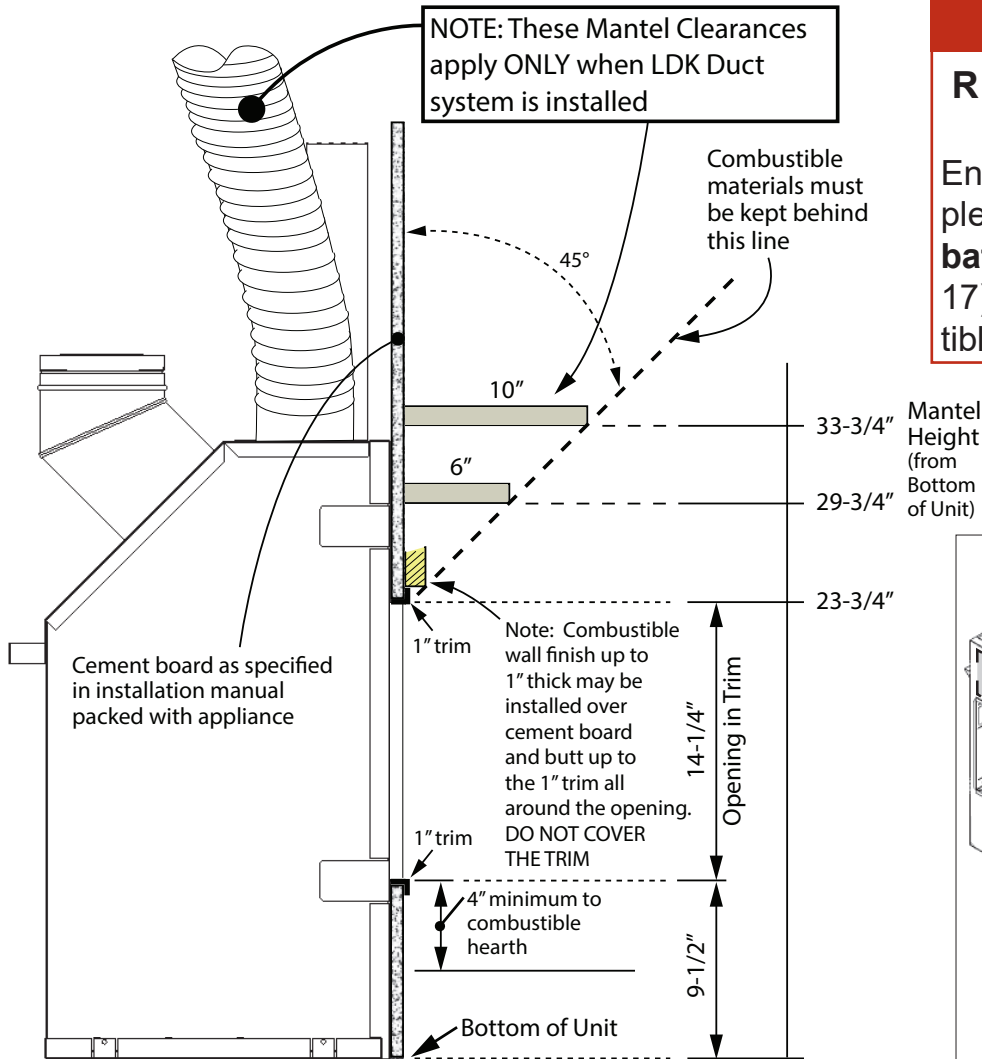
H5 1100J & 1150J; H6 1400J, 1400K; Linear 1500J, 1600J, 1700J, 1800J and LX2 2200J fireplaces

COMBUSTIBLE Mantel Clearances Linear appliances (when using LDK Duct Kits)

DOES NOT APPLY TO LX2 2200 MODELS AS HEATSHIFT IS MANDATORY FOR THOSE MODELS.

See instructions packed with the 2200 fireplace for details regarding mantels and projections

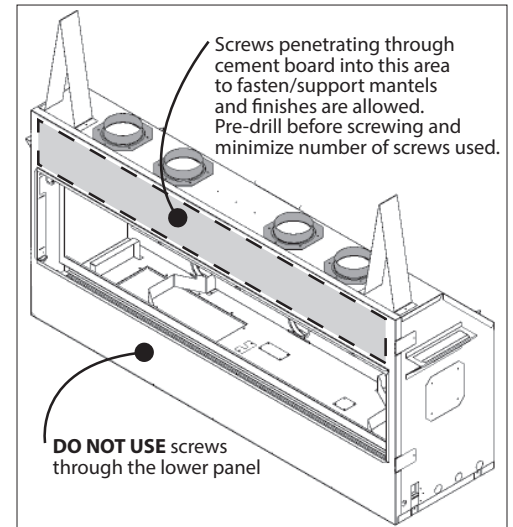
Sidewall clearances remain as stated in the installation manual packed with the appliance.



WARNING

RISK OF OVERHEATING AND FIRE!

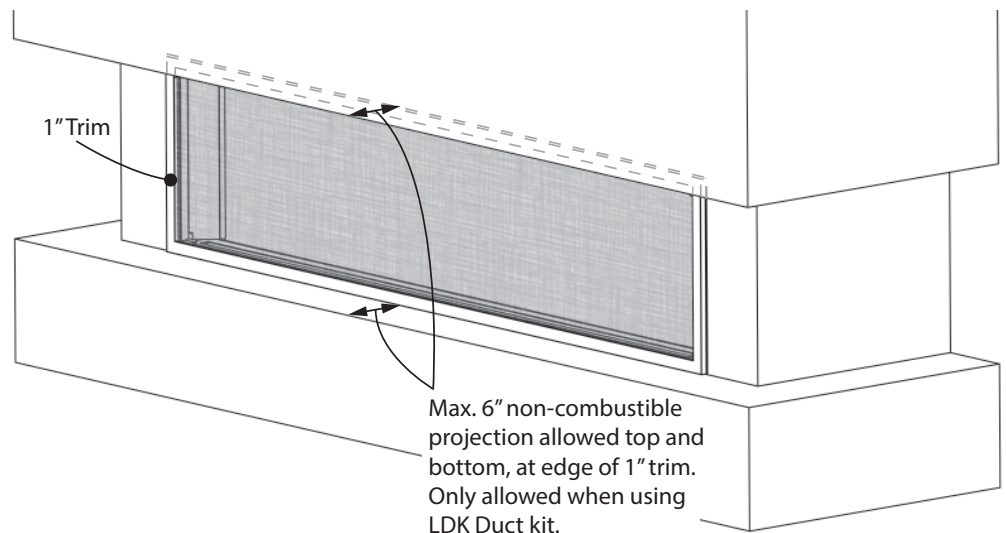
Ensure LDK installation is complete **AND internal convection baffle is removed** (see page 17) when using these combustibility mantel clearances.



NON-COMBUSTIBLE Flush Hearth/Mantel Projections for Linear appliances

(when using LDK Duct Kits)

Linear appliances ONLY (EXCEPT LX2 2200)



COMBUSTIBLE Mantel Clearances H5 and H6 appliances (when using LDK Duct Kits)

DOES NOT APPLY TO LX2 2200 MODELS AS HEATSHIFT IS MANDATORY FOR THOSE MODELS.

See instructions packed with the 2200 fireplace for details regarding mantels and projections

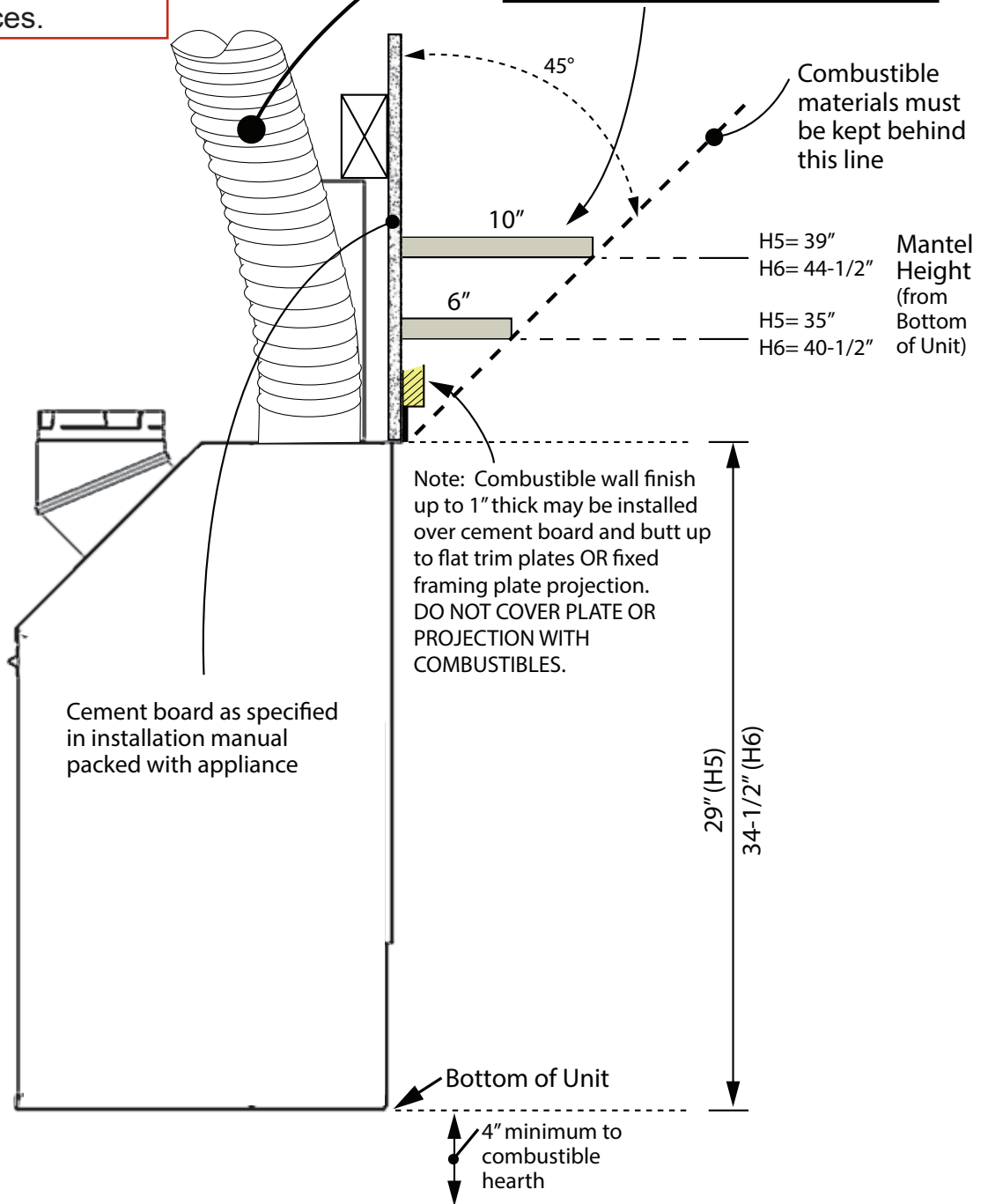
Sidewall clearances remain as stated in the installation manual packed with the appliance.

⚠ WARNING

RISK OF OVERHEATING AND FIRE!

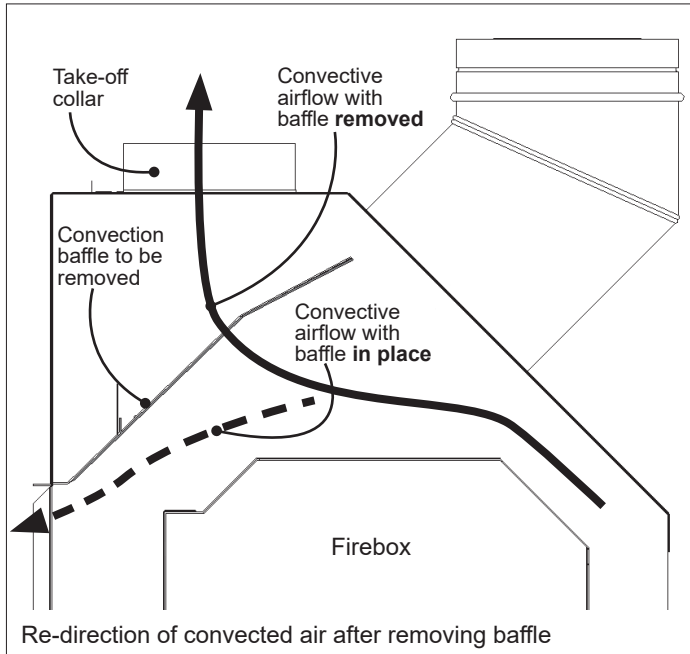
Ensure LDK installation is complete AND **internal convection baffle is removed** (see page 17) when using these combustible mantel clearances.

NOTE: These Mantel Clearances apply ONLY when LDK Duct system is installed

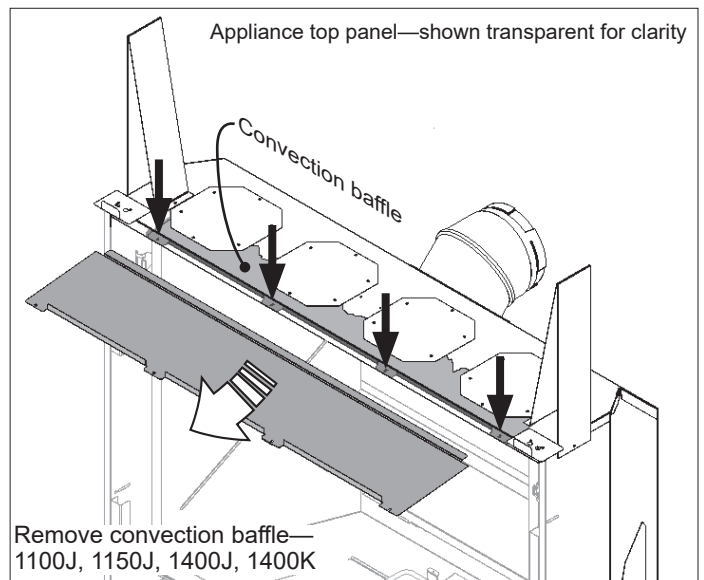
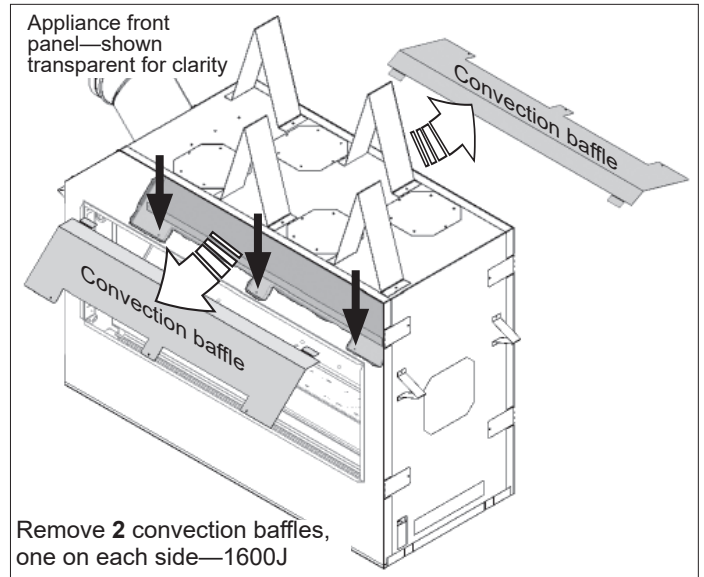
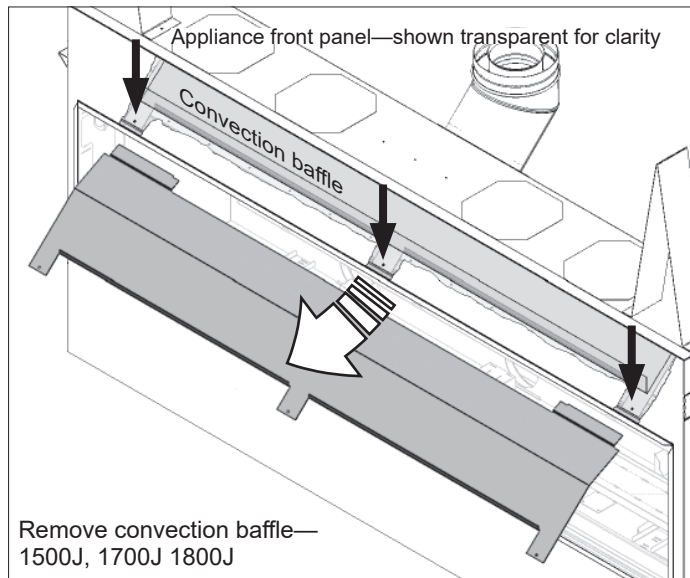


Remove Convection Baffle (EXCEPT LX2 2200—go to *Installation* section next page)

To be effective the LDK Duct Kit requires that a convection baffle located above the firebox inside the appliance case be removed to allow the hot airflow to convect upwards into ducts installed on the fireplace.



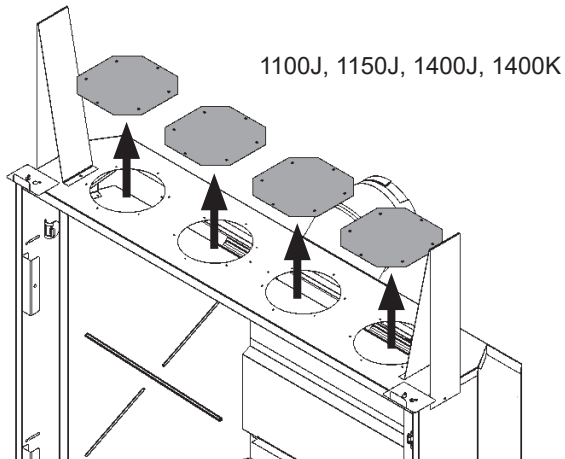
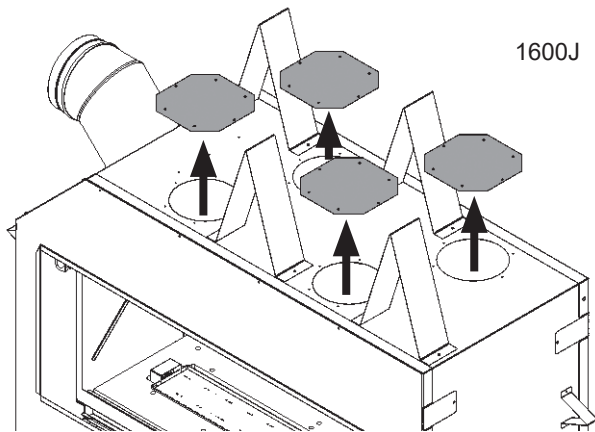
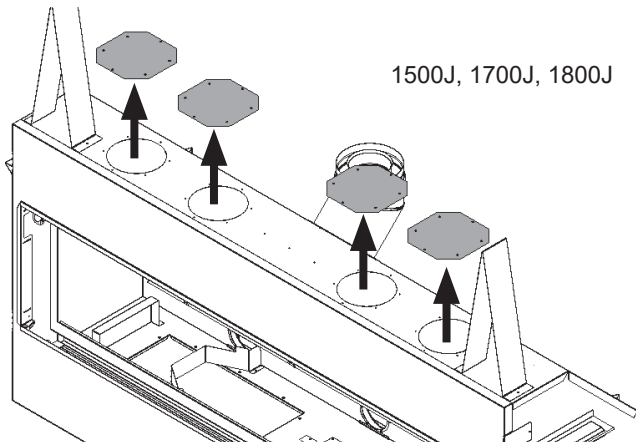
! Remove the convection baffle from the appliance. It is held in place by screws located right behind the upper edge of the fireplace opening (3 screws/baffle, 4 for 1400's baffle). Recycle this panel as it is no longer needed.
Note: The 1600J has *two* convection baffles to remove, one on each side.



! WARNING
DO NOT INSTALL 1270RBK Remote Blower Kit to any of these 4 takeoffs.

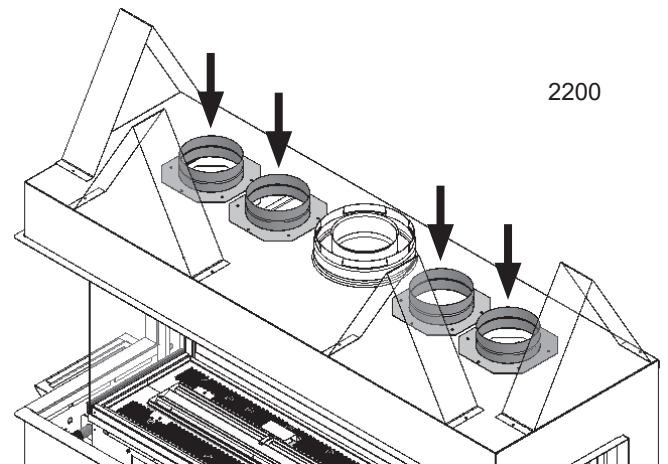
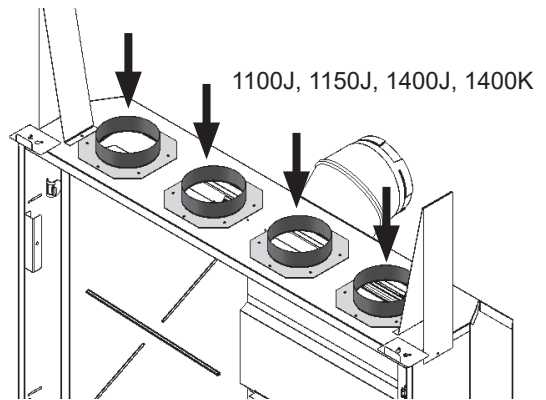
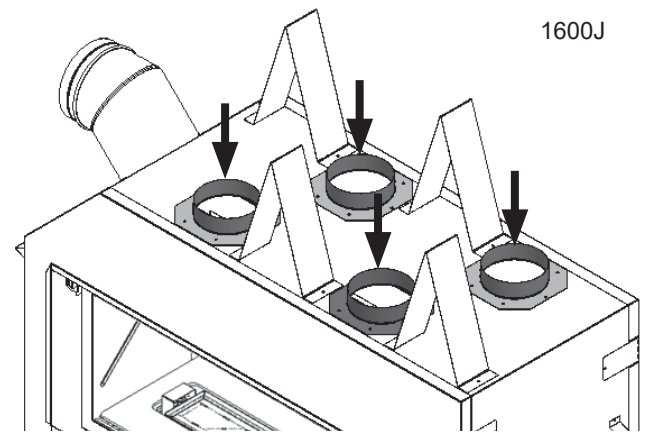
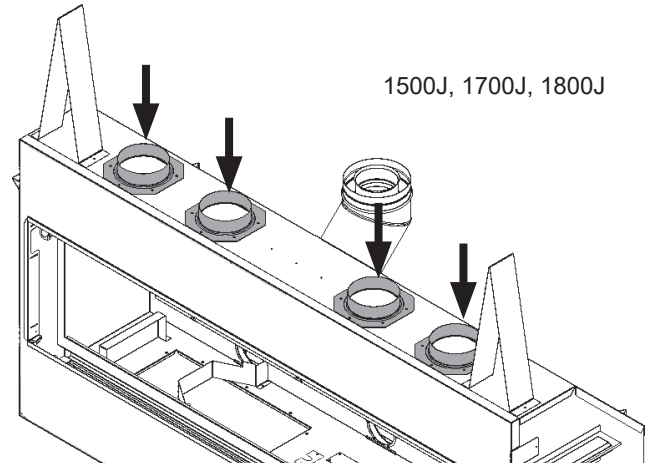
Remove four cover plates (EXCEPT LX2 2200—go to *Installation* section)

Remove the four cover plates on top of the appliance case (6 screws each).



Install Collars on Appliance

Install the collars on the holes on top of the appliance's case (6 screws each).

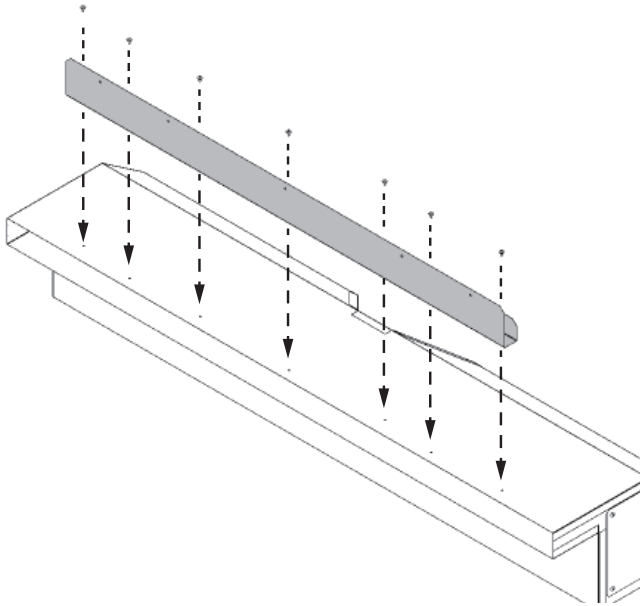


⚠ WARNING

All FOUR (4) takeoffs MUST BE CONNECTED TO PLENUM(S).

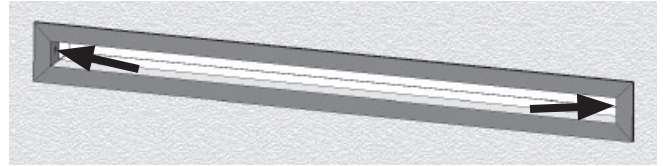
Install Plenum Kits (LDK1, LDK3 & LDK4) —see next page for LDK7 Duct Termination Plates

1. Frame a rough opening at the desired location—see earlier sections of this manual for allowable plenum positions and rough frame opening sizes.
2. Install top mounting bracket(s) to the plenum using screws provided (3 screws per bracket: use the short sheet metal screws provided otherwise the screw tails (ends) will interfere with the finishing frame when installed).

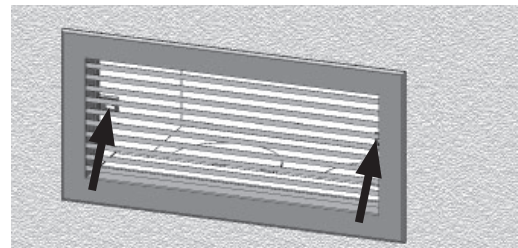


3. Install the plenum(s) into the rough frame opening maintaining minimum clearances to combustibles as listed—see page 10. Fix the plenum to the framing using nails or screws through the top mounting bracket. **Note that the mounting brackets are not intended to carry the weight of the plenum and pipes. Provide support to the underside of the plenum and ensure the plenum is level and its outlet is not distorted (see detail on page 11).** Use metal strapping (all-round, not supplied) as required to further secure the plenum to framing.
4. Attach one section of UL-181, Class 1 approved air duct to each of the collars and secure it with gear clamps provided. **DO NOT SPLICE DUCTS!**
5. Attach the top of the pipe sections to the plenum securing them with the gear clamps provided. An upward slope must be maintained in horizontal sections of pipes for proper convection. Use straps as necessary to maintain the pipes positions. Support horizontal sections every 24 inches.

6. Paint the inside surfaces of the plenum using high-temperature flat black spray paint for installations where the inside of the plenums may be visible. **Note:** The flanges of the white finishing frame (when used) will insert approximately 1-1/4" into the plenum covering the shiny sheet metal.
7. Install the finishing frame or louver to the plenum after the wall finish is completed:
LDK1, LDK4: Use the LDK2 or LDK5 depending of the length of the plenum.



LDK3: Use the grilles provided with the kit.



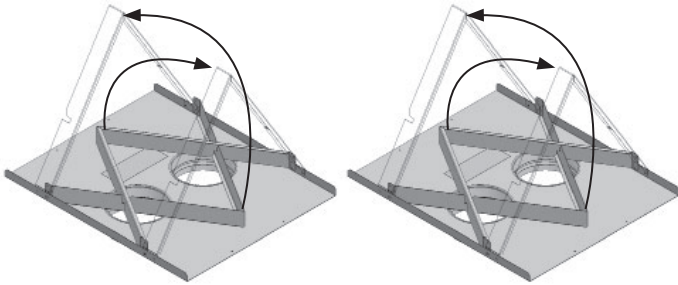
Note: The frame/louver are finished white but may be painted another color if desired; use high temperature paint (250°F). You may also finish up to the perimeter of the plenum opening with your material of choice and not use the frame or louver. Do not finish over any of the opening in the plenum outlet.

8. Continue with the fireplace installation.

Install Duct Termination Plates (LKD7) —see previous page for LDK1, LDK3 & LDK4 Plenum kits

1. Frame a rough opening and platform at the desired location—see earlier sections of this manual for allowable duct termination plates positions and rough frame opening sizes.
2. On each duct termination plate, rotate both stand-offs to the vertical position and secure in place using screws provided.

2 stand-offs per plate

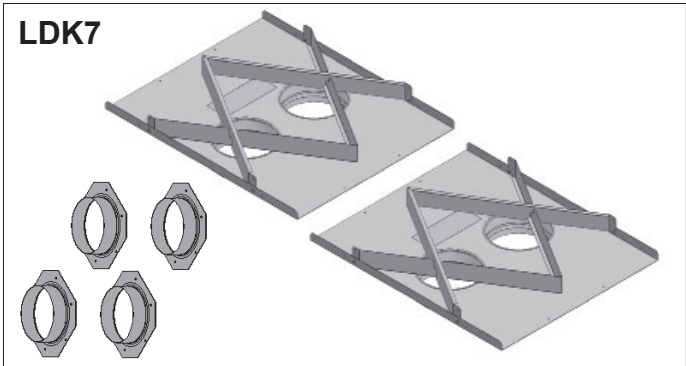
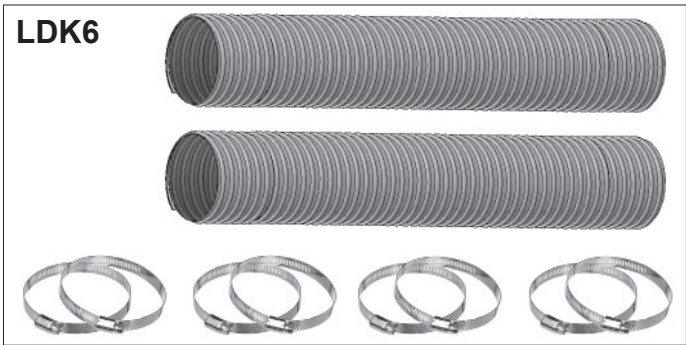
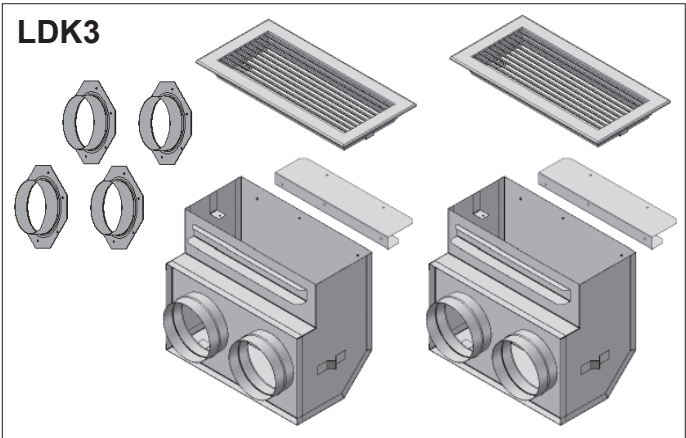
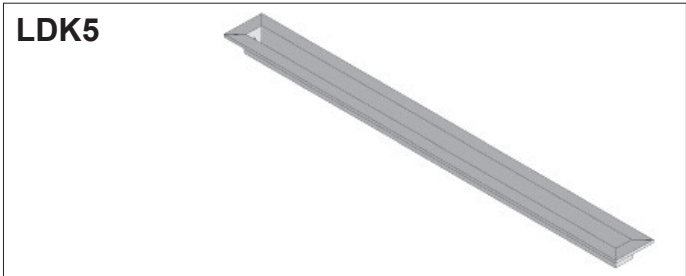
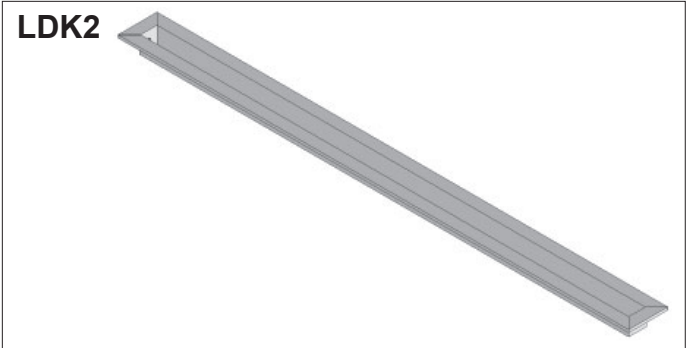
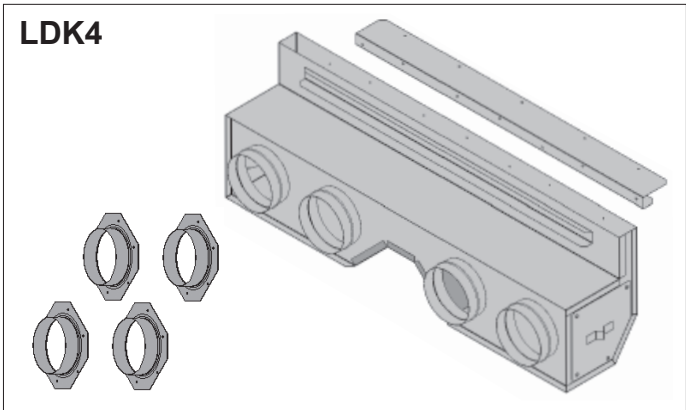
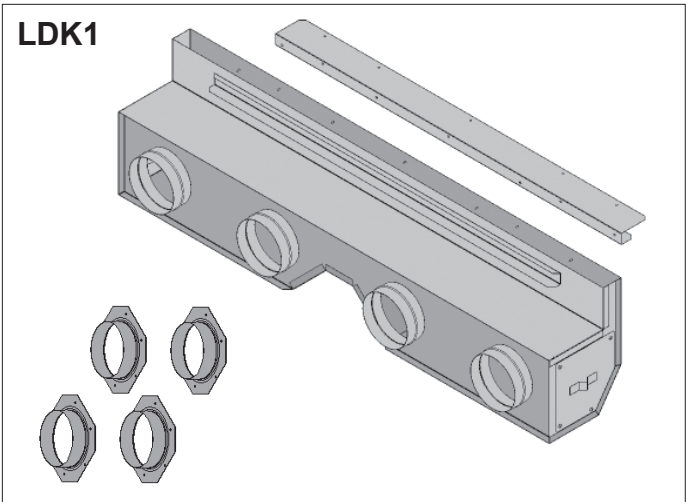


3. Install the termination plates into the framing ensuring collars/pipes on underside of plates maintain 1 inch clearance to combustibles and clearance to combustible above the plates are maintained as listed on page 13.
The termination plates perimeter may be trimmed as necessary to accommodate framing. Secure the termination plate to framing using screws or nails to avoid movement.
4. Attach one section of UL-181, Class 1 approved air duct to each of the collars and secure it with gear clamps provided. **DO NOT SPLICE DUCTS!**
5. Attach the top of the pipe sections to the duct termination plates securing them with the gear clamps provided. An upward slope must be maintained in horizontal sections of pipes for proper convection. Use straps as necessary to maintain the pipes positions. Support horizontal sections every 24 inches.
6. Continue with the fireplace installation.

Repair Parts List

	Description	Part no.
LDK1	48" Quad Hot Air Plenum Kit	
	48" x 2" quad plenum	4005476
	5" take-off collars (4)	4005478
	Top mounting bracket/standoffs	4007211
	#8 slotted drive screws 1/4" (7)	798601
LDK2	48" Outlet Frame Kit for LDK1	
	Aux Frame-SPL 48" x 2" white	4005612
LDK3	14" Double Hot Air Plenums Kit	
	14" x 6" double plenums (2)	4005464
	5" take-off collars (4)	4005478
	DABL-00-C-SPL 14" x 6" Grilles white (2)	4005614
	Top mounting bracket/standoffs (2)	4005566
	#8 slotted drive screws 1/4" (6)	798601
LDK4	38" Quad Hot Air Plenum Kit	
	38" x 2" quad plenum	4005477
	5" take-off collars (4)	4005478
	Top mounting bracket/standoffs	4007213
	#8 slotted drive screws 1/4" (7)	798601
LDK5	38" Outlet Frame Kit for LDK4	
	Aux Frame-SPL 38" x 2" white	4005613
LDK6	5" Aluminum 2-ply Flex Kit	
	5" dia 10' (uncompressed) aluminum chimney liners (2)	4005635
	4.5" - 6.5" ss gear clamps (8)	4005642
LDK7	Duct Termination Plates	
	Plate and collar assembly (2)	4006747
	5" take-off collars (4)	4005478
	Screws 8 x 3/8 tap PN HD PH (12)	100A757

Each LDK kit is sold separately.



Because our policy is one of constant development and improvement, details may vary slightly from those given in this publication.
Designed and Manufactured by / for **Miles Industries Ltd.**
190 – 2255 Dollarton Highway, North Vancouver, BC, CANADA V7H 3B1
Tel. 604-984-3496 Fax 604-984-0246 www.valorfireplaces.com

DIRECTIVES D'INSTALLATION



HeatShift



Systèmes de canalisation d'air LDK HeatShift

pour les kits LDK1, LDK2, LDK3, LDK4, LDK5, LDK6 et LDK7

Homologué pour utilisation avec les foyers Valor suivants **SEULEMENT** :

- **Optionnel avec 1100J, 1150J, 1400J, 1400K, 1500J, 1600J, 1700J et 1800J**
- **EXIGÉ avec tous les modèles LX2 2200**

Note : Ce kit doit être installé par un installateur qualifié, une agence de service ou un fournisseur de gaz **au moment de l'installation du foyer**. Ces directives doivent être utilisées conjointement avec directives d'installation fournies avec le foyer.

INSTALLATEUR : Laissez cette notice avec l'appareil.

CONSUMMATEUR : Conservez cette notice pour consultation ultérieure.

Application

Ce système de canalisation d'air redistribue l'air chaud émanant du foyer à l'endroit désiré en utilisant la convection naturelle sans nécessiter de ventilateur.

LDK1, LDK3 et LDK4 : la sortie d'air chaud est dirigée plus haut sur le mur, sur les murs de côté ou même dans une pièce adjacente.

LDK7 : la sortie d'air chaud est dirigée à travers un espace (min. 2-1/2") entre le mur au-dessus du foyer et le plafond. Avec le LDK7, la sortie d'air doit être dans la même pièce que le foyer.

Ce qui résulte en un mur aux températures moins chaudes au-dessus du foyer et permet d'y placer des oeuvres d'art, télévision, et ainsi de suite.

Il est déconseillé d'installer les Ventilateurs de circulation d'air 1195CFK et 1595CFK avec le Système HeatShift.

Les kits LDK1, LDK3, LDK4 ou LDK7 peuvent être utilisés avec les modèles de foyers listés ci-haut.

De plus, l'air chaud peut être extrait du système de canalisation en raccordant le Ventilateur de zone 1270RBK au plénum (**LDK1 et LDK4 SEULEMENT**).

Ce kit est compatible avec les foyers listés ci-dessus seulement. Les foyers plus anciens ne sont pas compatibles avec ce kit.

Note : Ces directives doivent être utilisées conjointement avec les directives d'installation fournies avec le foyer.

Note : À l'exception des modèles 2200, un déflecteur de convection dans le foyer doit être enlevé pour que ce système fonctionne bien—lisez attentivement les directives.

Pour certains modèles, l'utilisation de ce système permet des dégagements au manteau ou tablette plus bas—voir pages 36–37. **Ces dégagements ne sont permis qu'avec l'utilisation du système LDK et lorsque le déflecteur de convection a été enlevé.**

Homologations

Les kits LDK1, LDK3, LDK4, LDK7 sont homologués par l'ASN (CSA) pour usage avec les foyers Valor indiqués ci-dessus—NE PAS les utiliser avec d'autres modèles.

Le système HeatShift peut aussi être utilisé pour réduire la température de la surface du mur sur les installations extérieures.

Un conduit de 5 pouces de diamètre (non inclus) utilisé avec ces kits doit être fabriqué de métal et doit répondre aux normes UL-181 Class 1 Air Duct. Les conduits souples d'aluminium sont acceptables s'ils répondent aux normes UL-181 Class 1.

Quatre kits sont offerts, au choix :

- LDK1—Plénum quadruple de 48"
- LDK3—Plénums doubles de 14" (2), grilles incluses
- LDK4—Plénum quadruple de 38"
- LDK7—Plaques d'extrémité des conduits (2)—pour sortie en cantonnière **SEULEMENT**

Accessoires facultatifs

- LDK2—Cadre de finition 48", pour le LDK1
- LDK5—Cadre de finition 38", pour le LDK4
- LDK6—Conduits souples en aluminium de 5 po de diamètre à 2 plis—2 longueurs de 10 pi pouvant être coupées à la longueur désirée

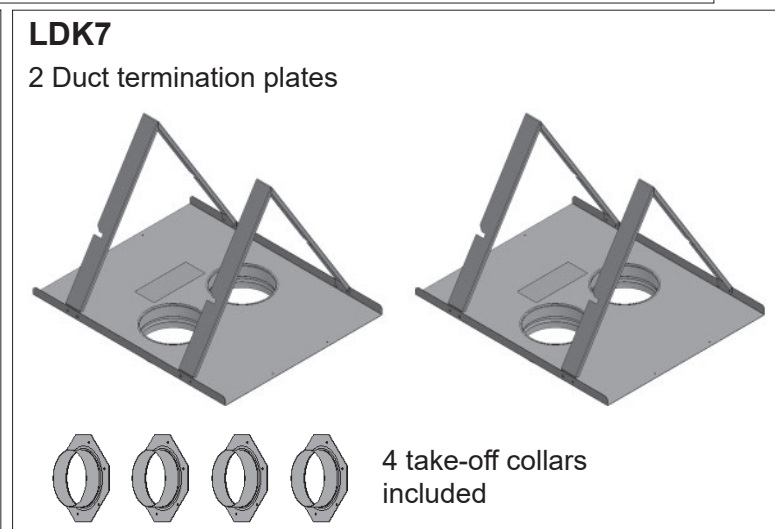
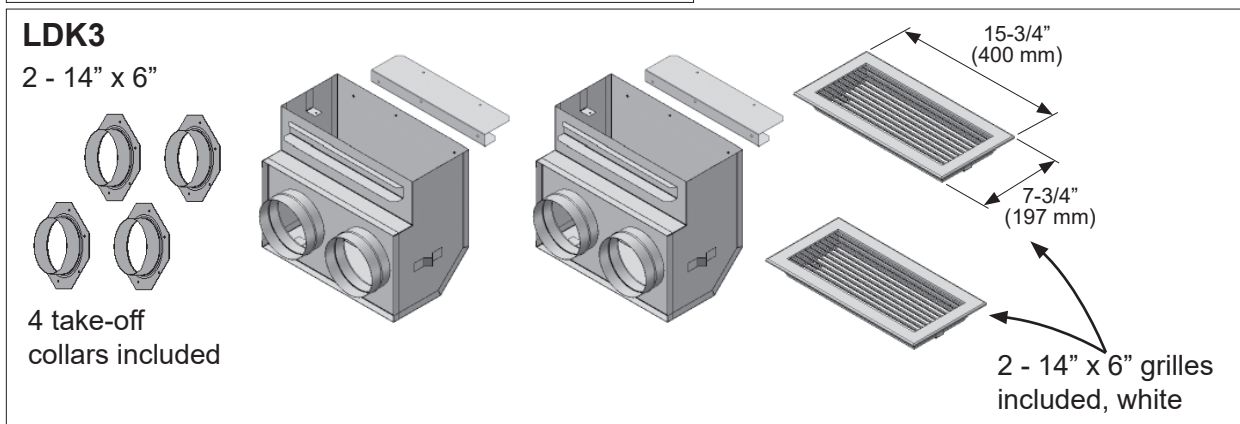
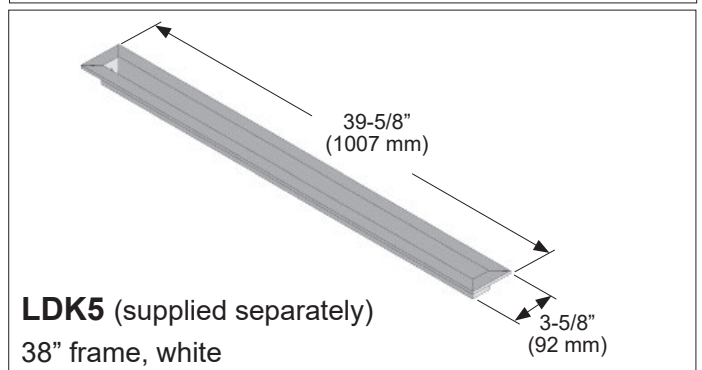
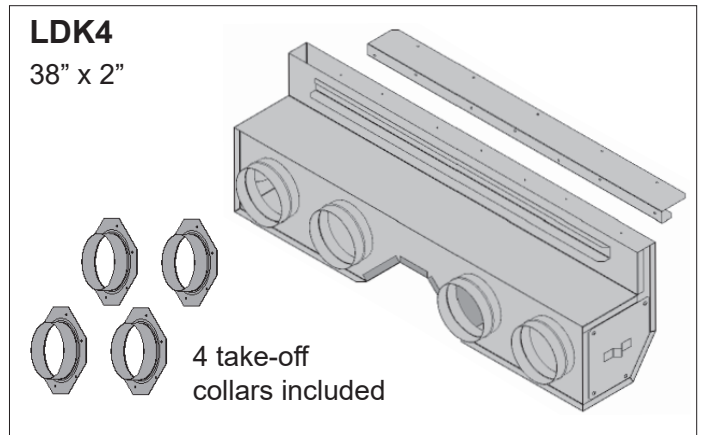
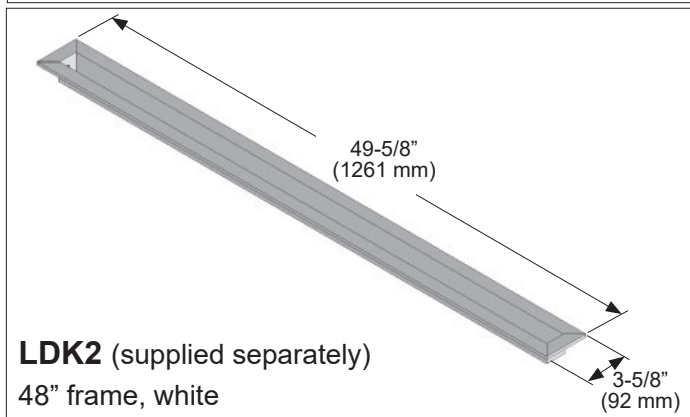
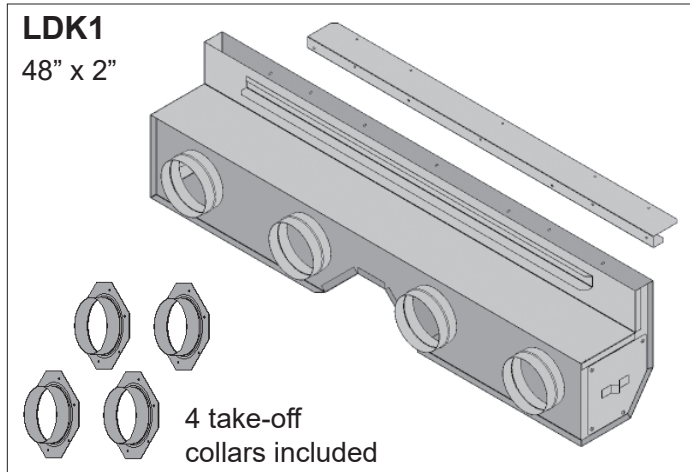
⚠ AVERTISSEMENT

NE PAS couvrir ou placer d'objets devant ou par-dessus une sortie d'air. **ÉVITEZ** de placer la sortie d'air à moins de 7 pieds (2,13 m) au-dessus du plancher car les températures de l'air à la sortie sont chaudes!

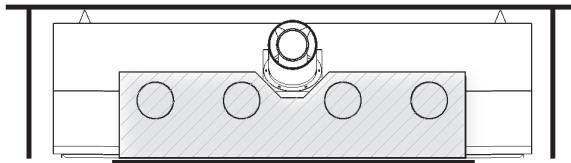
⚠ AVERTISSEMENT

Notez qu'avec les sorties d'air chaud près des plafonds de couleurs pâles, ceux-ci peuvent être tachés par la poussière qui se trouverait dans le courant d'air chaud; le(s) plénum(s) placé(s) plus bas sur le mur aideront à diminuer la possibilité de taches.

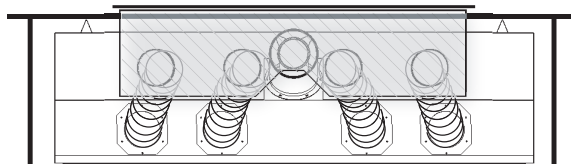
Contenu des kits



Séries Linear

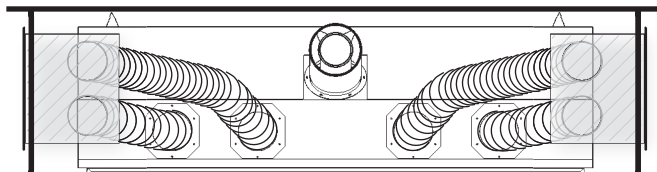


Sortie avant avec LDK1 ou LDK4

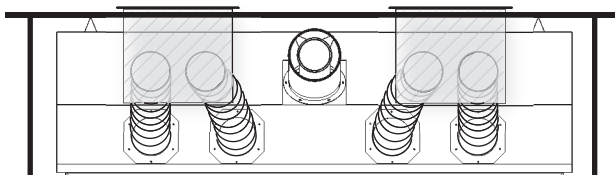


Sortie sur un mur arrière avec LDK1 ou LDK4

Note : Le conduit d'évacuation peut empiéter sur le parcours des canalisation. Décalez le conduit d'évacuation autour du plénum.



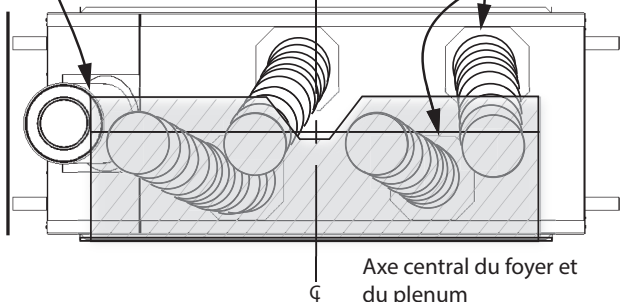
Sorties sur les côtés avec LDK3



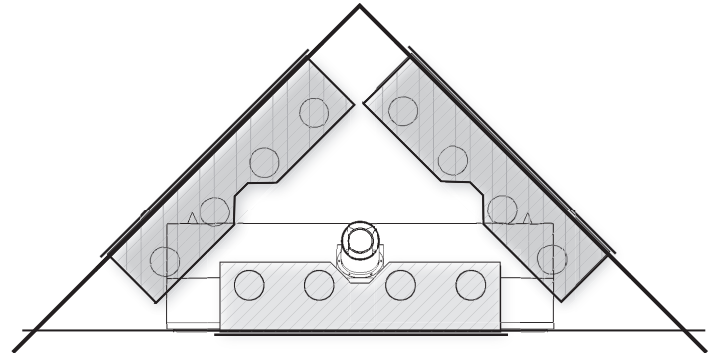
Sorties sur un mur arrière avec LDK3

Note - Le parcours du conduit d'évacuation vertical venant directement du 1600J DEVRA être décalé autour des plenums de 38" (LDK4) ou de 48" (LDK1)

Note - Buses de sortie décalées, deux par côté



1600J L1 à 2 côtés avec LDK1 ou LDK4



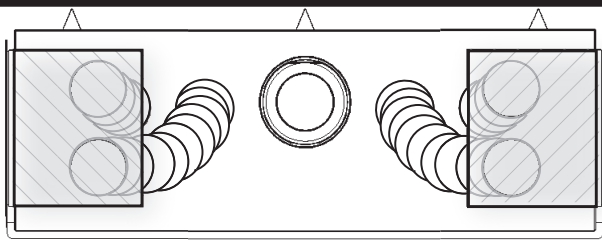
Installation en coin *Linear avec sortie avant ou sur un mur arrière avec LDK1, LDK3 ou LDK4 (*excepté 1600J)

⚠ AVERTISSEMENT

Les plenums sont homologués pour **débit à sortie horizontale SEULEMENT**. Les plaques d'extrémité des conduits sont homologués pour **débit à sortie verticale vers le haut SEULEMENT**. **NE PAS** installer le plénum ou les plaques au plancher ou au plafond. **NE PAS COUVRIR OU PLACER** d'objets devant ou par-dessus la sortie d'air. **ÉVITEZ** de placer la sortie d'air à moins de 7 pieds (2,13 m) au-dessus du plancher car les températures de l'air à la sortie sont chaudes! **NE PAS INSTALLER LES SORTIES D'AIR À TRAVERS LES MURS EXTÉRIEURS.**

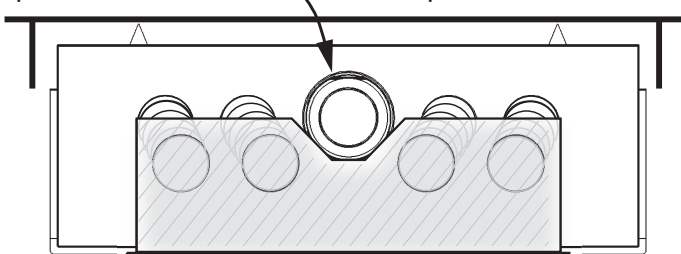
NOTE : Ce système peut également être utilisé sur les **installations extérieures (excepté le 2200)** où l'on souhaite réduire la température de la surface du mur au-dessus du foyer. Les grilles de déversement d'air chaud doivent être situées dans un espace à l'épreuve des intempéries tel que décrit dans le guide d'installation du kit de Conversion pour foyer extérieur GV60CKO.

Séries LX2



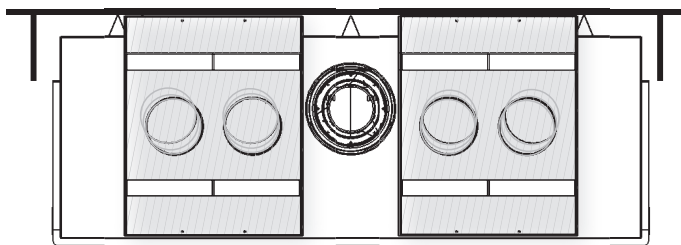
Sorties sur les côtés avec LDK3

Note - Le conduit vertical 6-5/8" raccordé directement au 2200 passera dans la découpe du plenum sans nécessiter de décalage. Si le conduit vertical de 8" de diamètre est utilisé, une cavité de 20" de profondeur peut être trop étroite pour le plenum. Ajustez la profondeur de la cavité en conséquences.



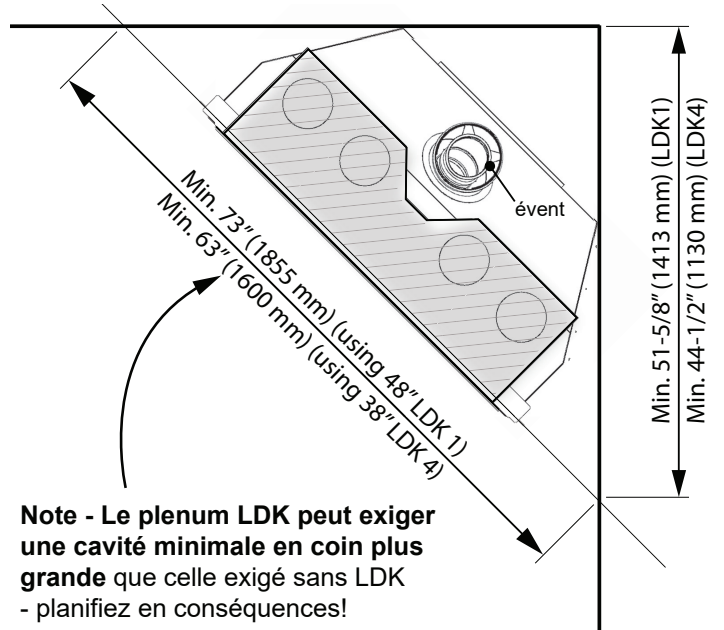
Sortie avant avec LDK1 ou LDK4

Note - Avec le LDK7, la sortie d'air chaud doit être située dans la même pièce que le foyer



avec LDK7

Installations en coin Séries H



Note - Le plenum LDK peut exiger une cavité minimale en coin plus grande que celle exigé sans LDK - planifiez en conséquences!

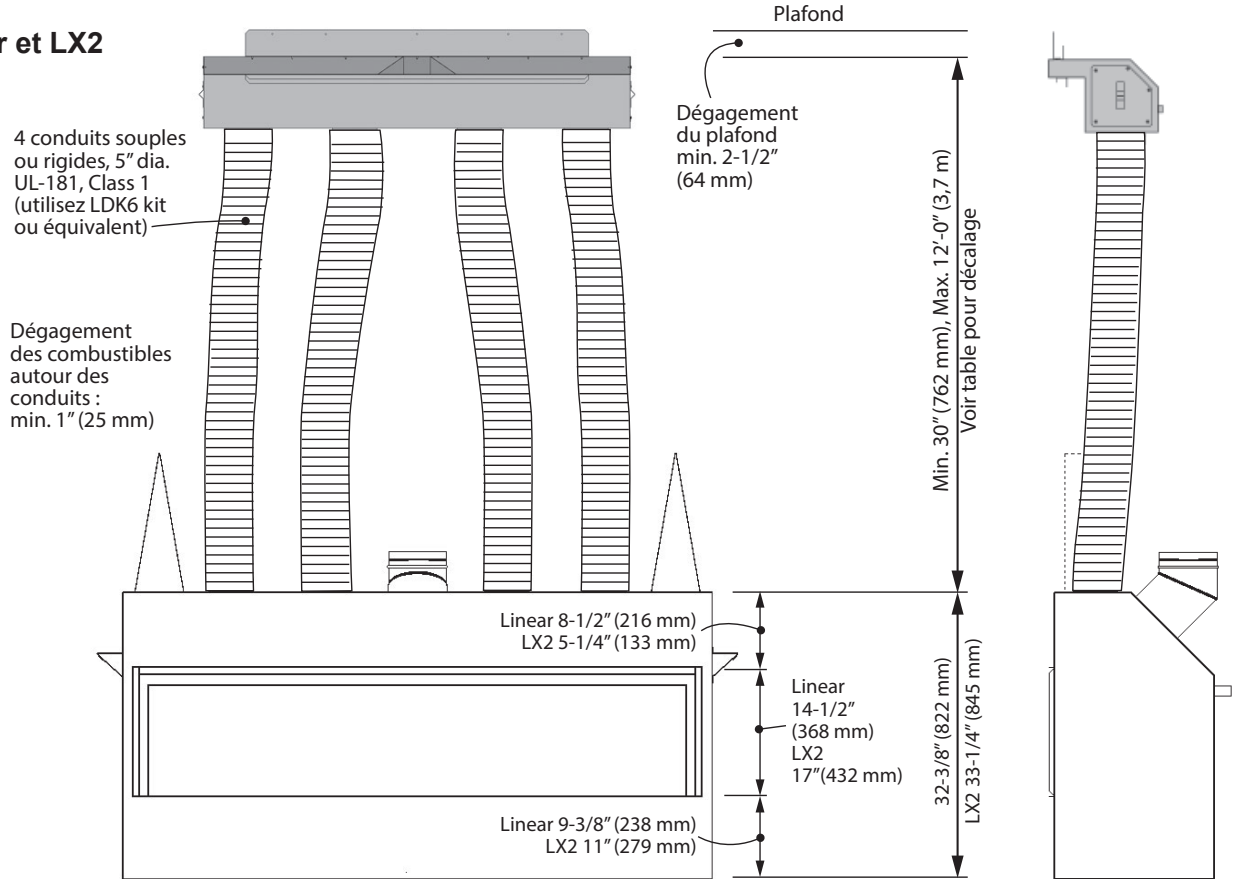
⚠ AVERTISSEMENT

Les plenums sont homologués pour **débit à sortie horizontale SEULEMENT**. Les plaques d'extrémité des conduits sont homologués pour **débit à sortie verticale vers le haut SEULEMENT**. **NE PAS** installer le plenum ou les plaques au plancher ou au plafond. **NE PAS COUVRIR OU PLACER** d'objets devant ou par-dessus la sortie d'air. **ÉVITEZ** de placer la sortie d'air à moins de 7 pieds (2,13 m) au-dessus du plancher car les températures de l'air à la sortie sont chaudes! **NE PAS INSTALLER LES SORTIES D'AIR À TRAVERS LES MURS EXTÉRIEURS.**

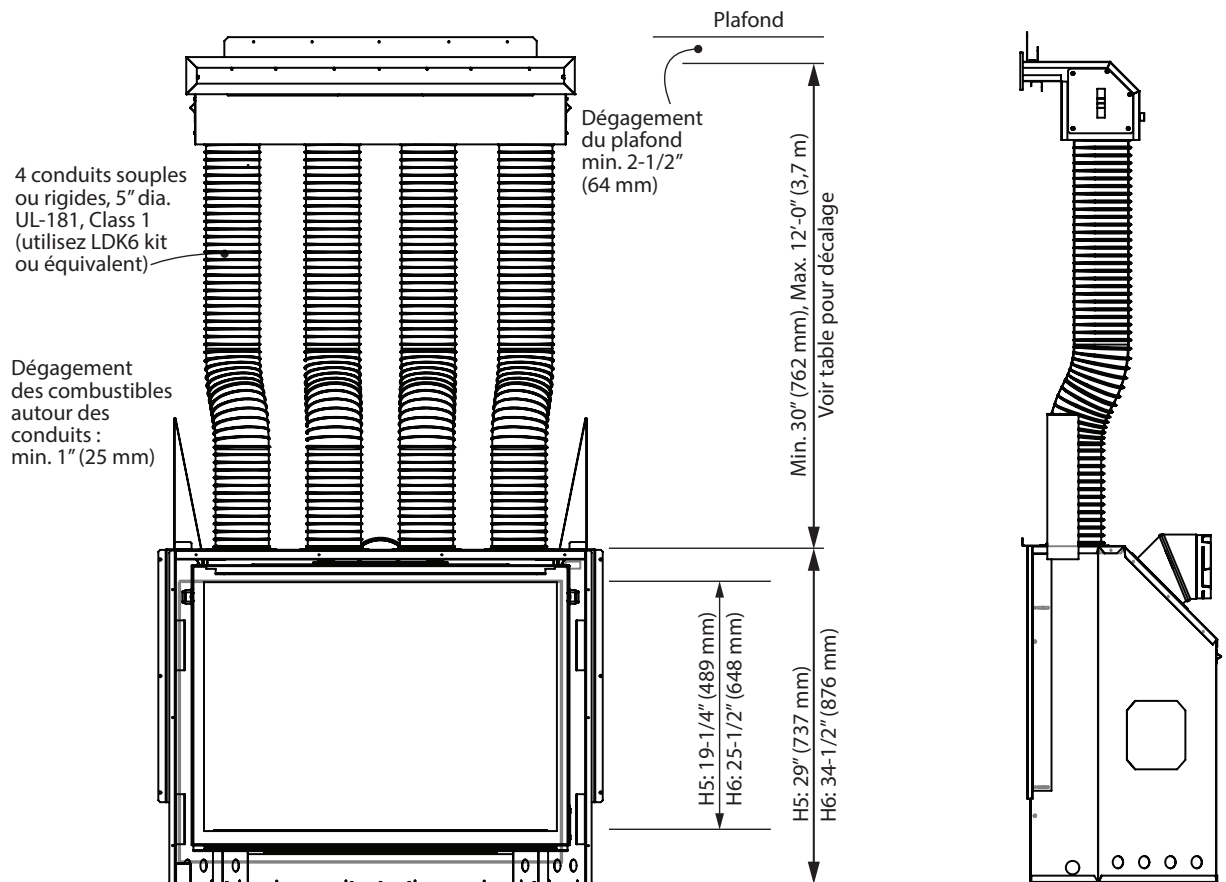
NOTE : Ce système peut également être utilisé sur les **installations extérieures (excepté le 2200)** où l'on souhaite réduire la température de la surface du mur au-dessus du foyer. Les grilles de déversement d'air chaud doivent être situées dans un espace à l'épreuve des intempéries tel que décrit dans le guide d'installation du kit de Conversion pour foyer extérieur GV60CKO.

Concept (pour les kits LDK1, LDK3 et LDK4 sur les foyers listés)

Séries Linear et LX2



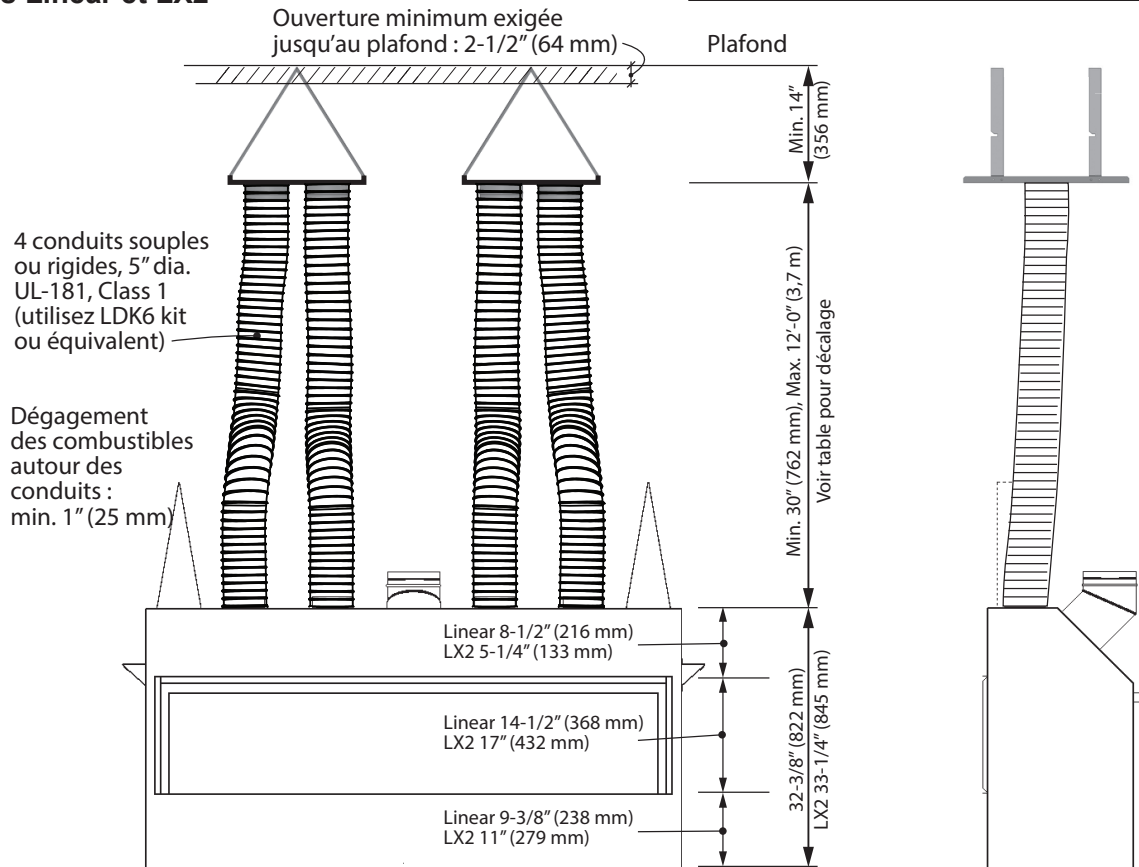
Séries H5 et H6



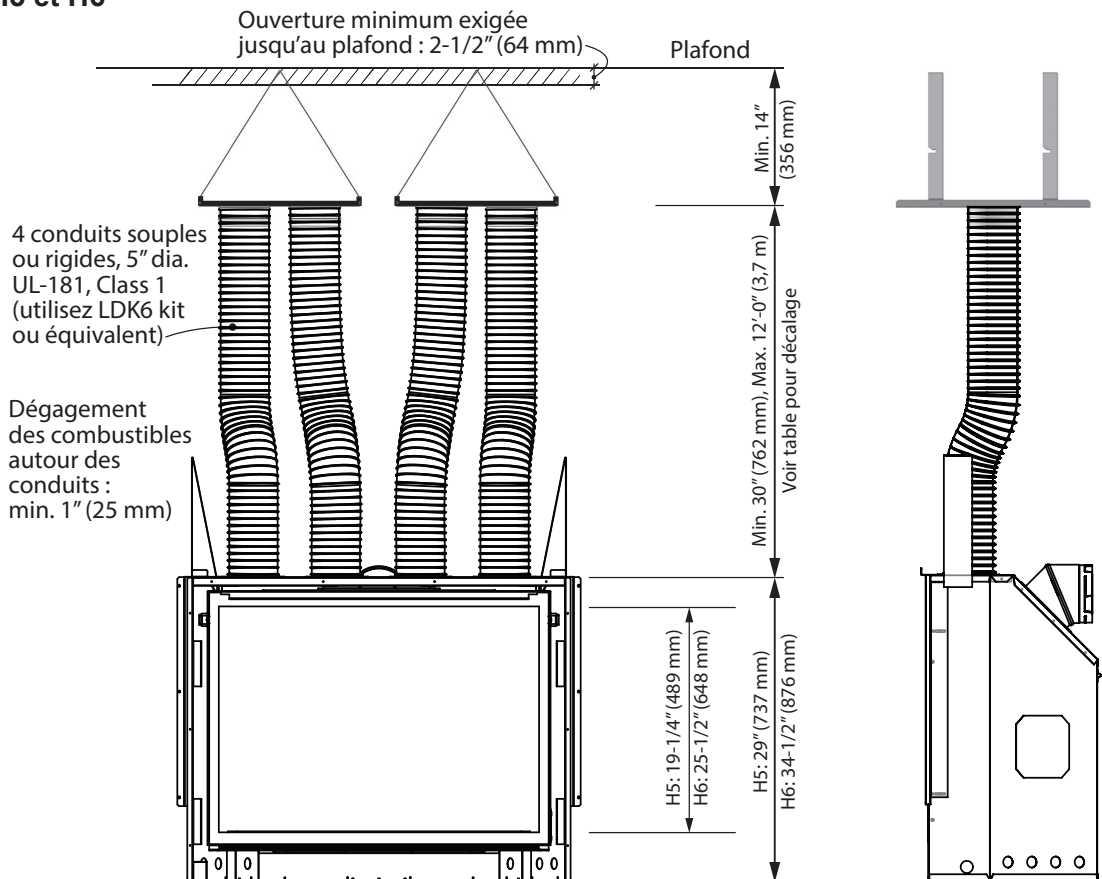
Concept (pour le LDK7 sur les foyers listés)

Séries Linear et LX2

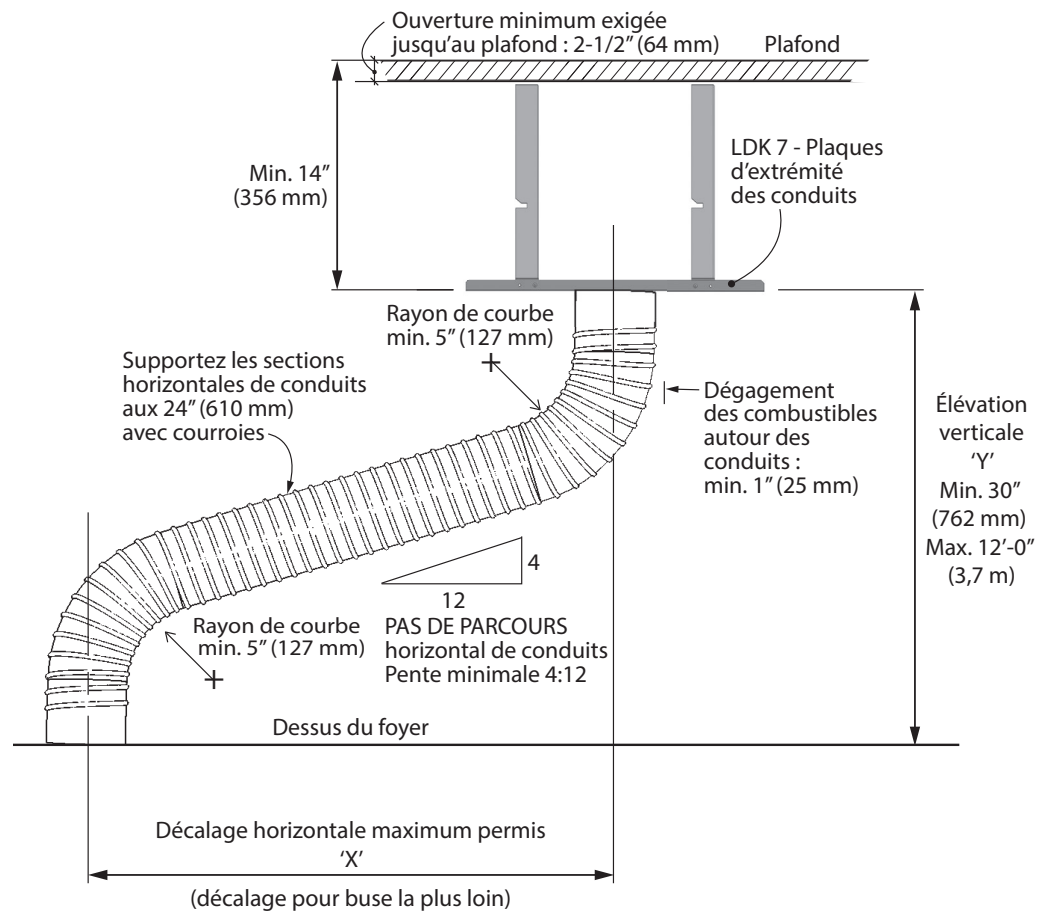
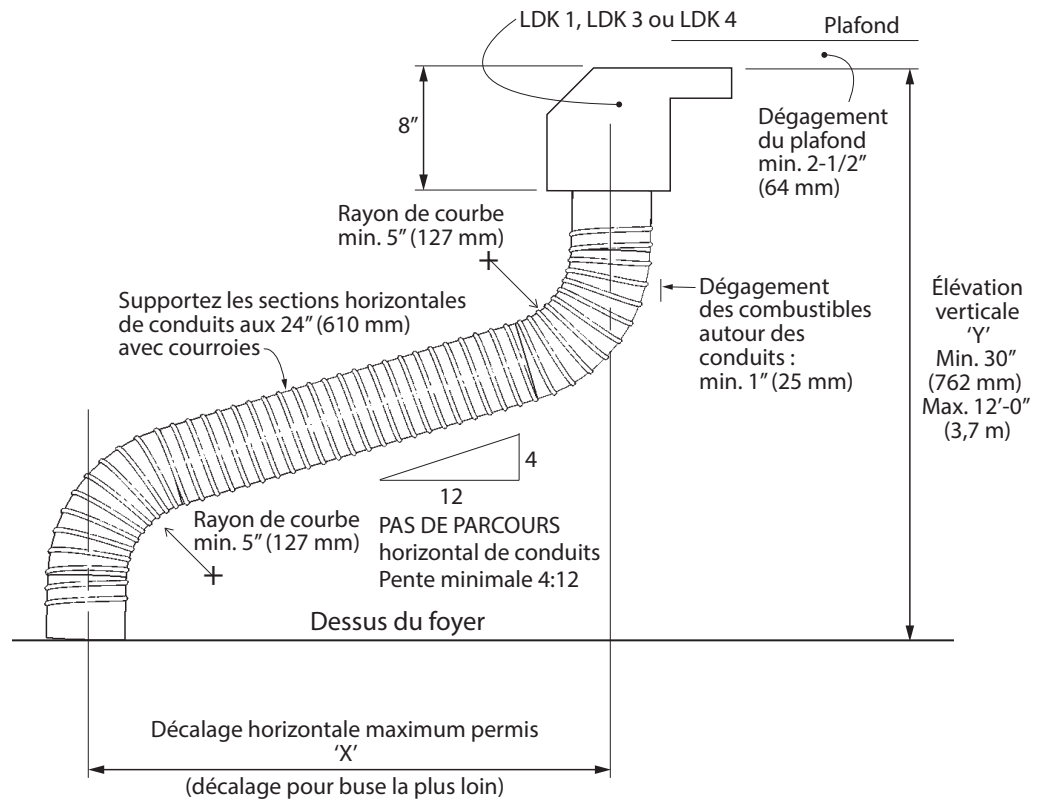
Note - La sortie d'air chaud doit être dans la même pièce que le foyer avec le LDK7.



Séries H5 et H6

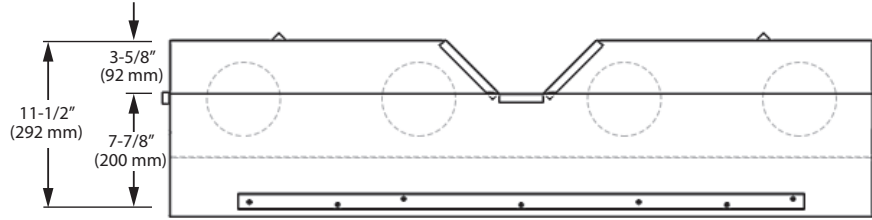


Y Élévation verticale	X Max. décalage horizontal permis
30" 762 mm	24" 610 mm
36" 914 mm	36" 914 mm
42" 1067 mm	48" 1219 mm
48" 1219 mm	60" 1524 mm
54" 1372 mm	72" 1829 mm
60" 1524 mm	84" 2134 mm
66" 1676 mm	96" 2438 mm
12'-0" 3,7 m	96" Max.

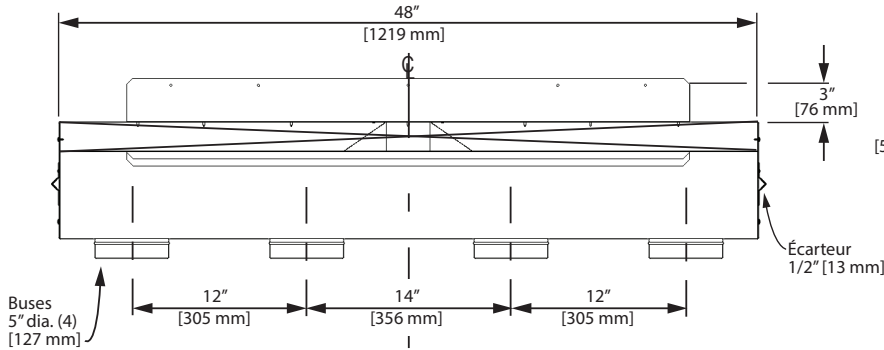


Dimensions des plenums

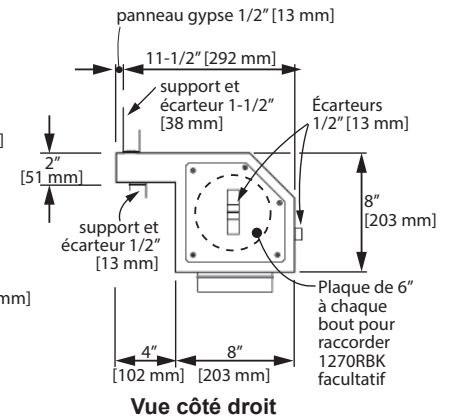
LDK 1



Vu du haut

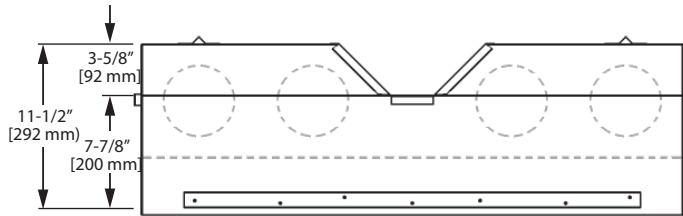


Vue avant

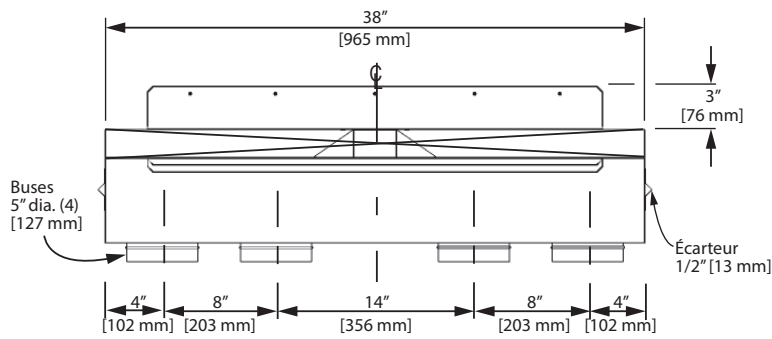


Vue côté droit

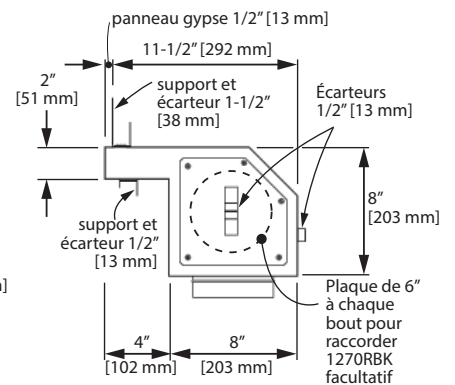
LDK 4



Vu du haut



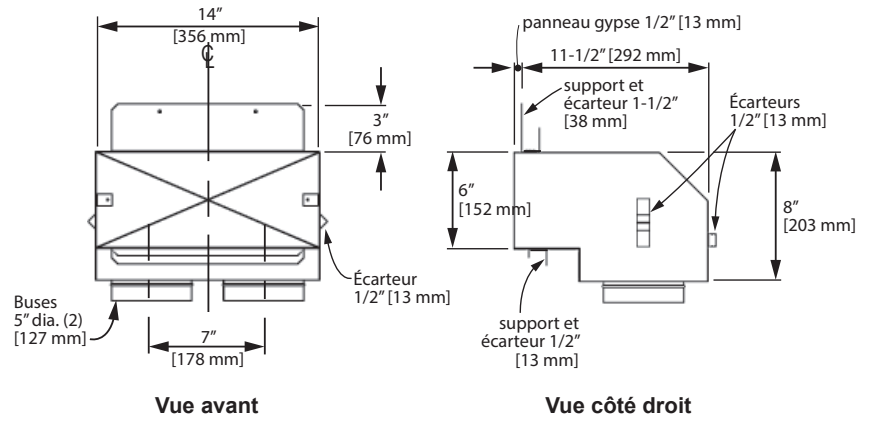
Vue avant



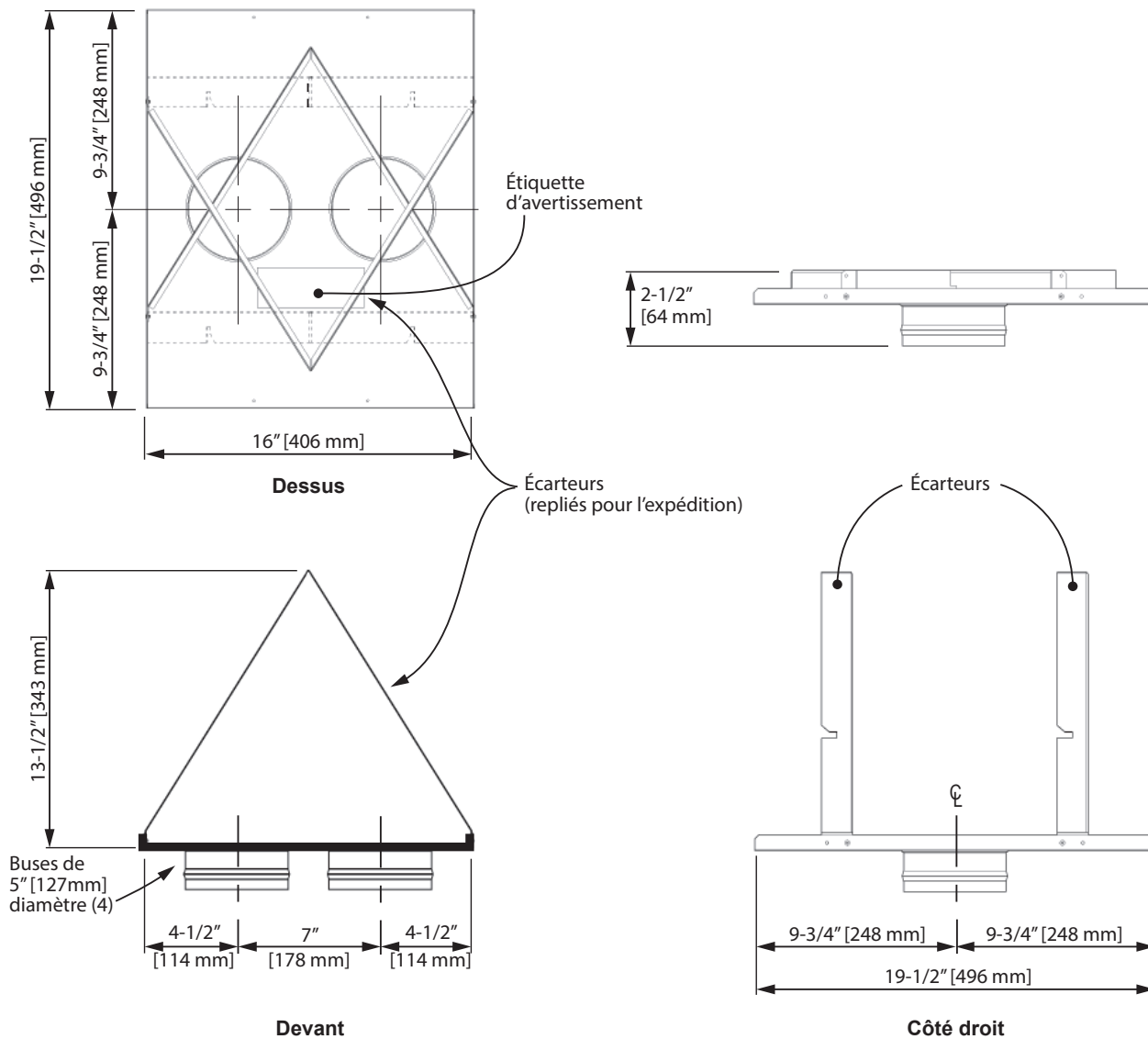
Vue côté droit

Dimension des plenums (cont.)

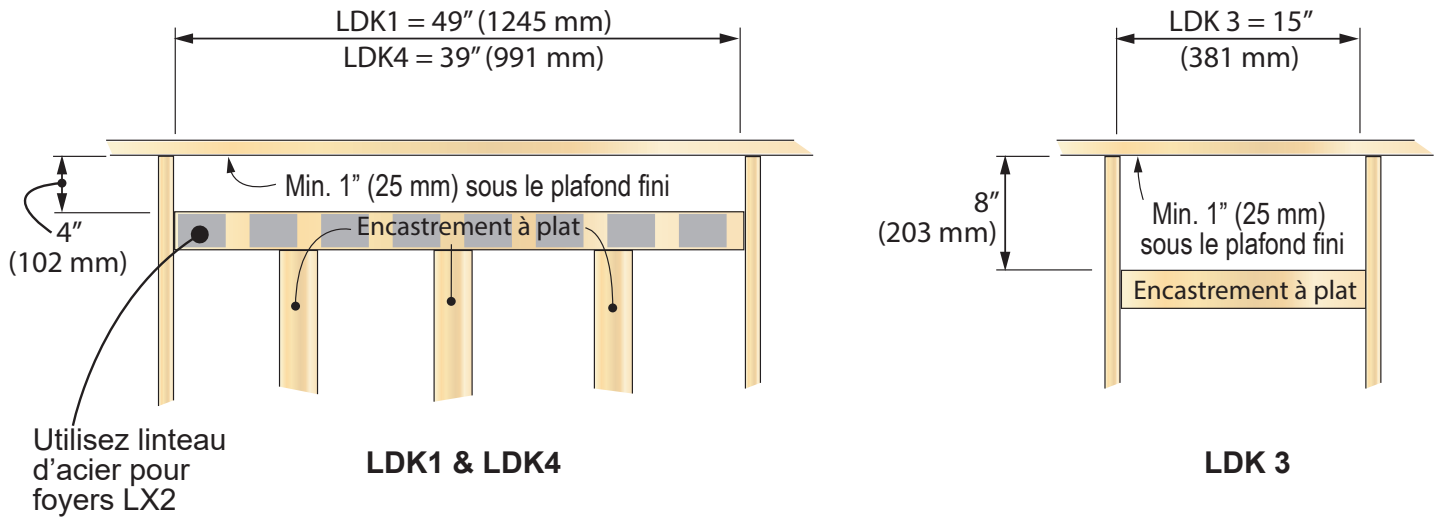
LDK 3



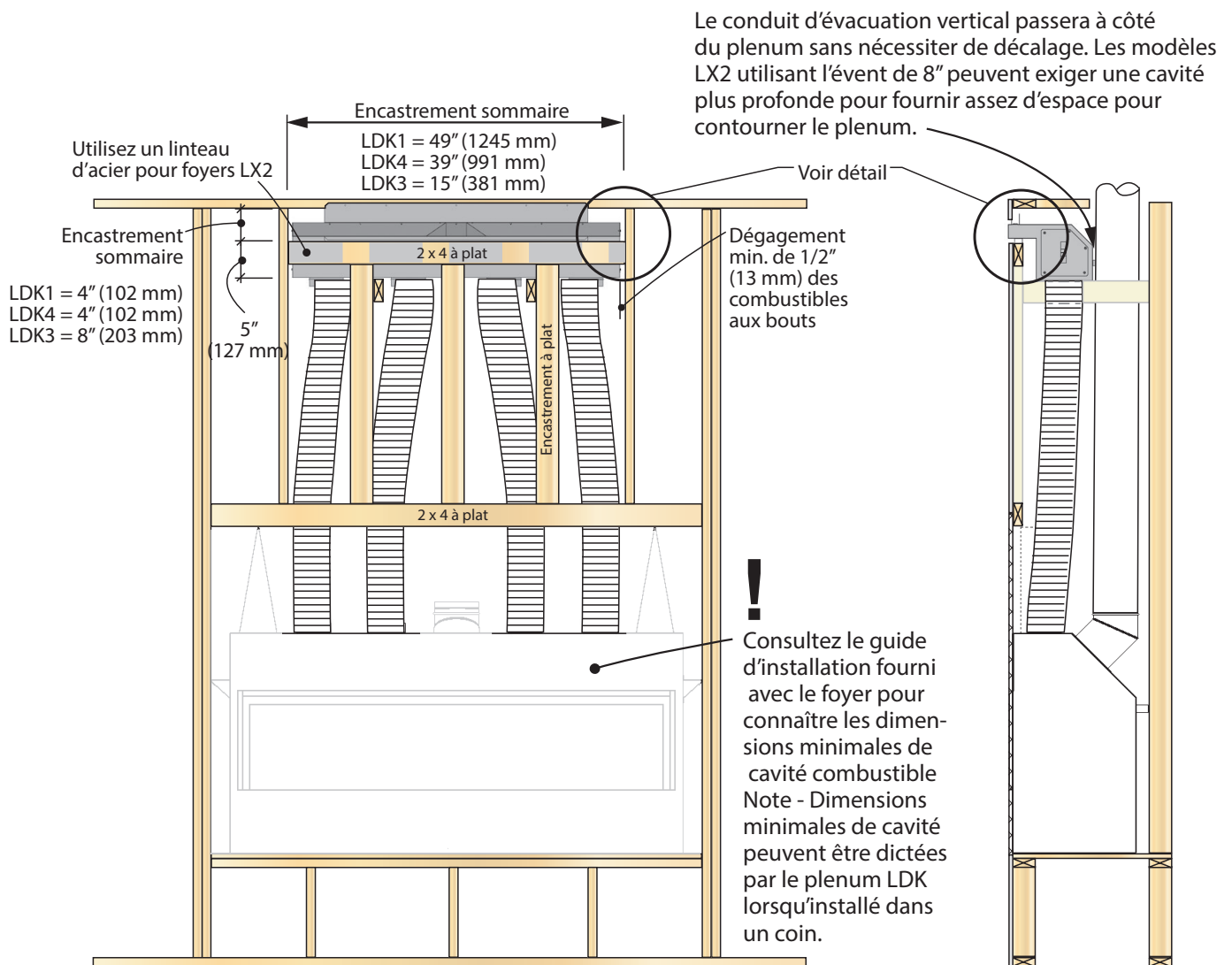
Dimensions des plaques d'extrémité LDK7



Encastrement sommaire

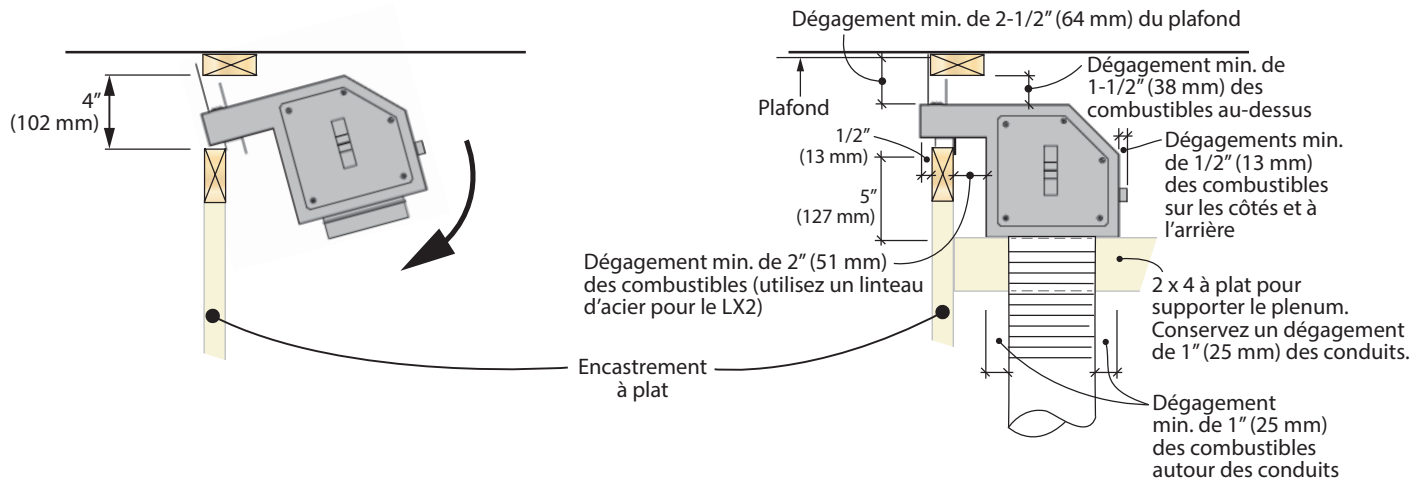


Encastrement et dégagements—Plénums, devant

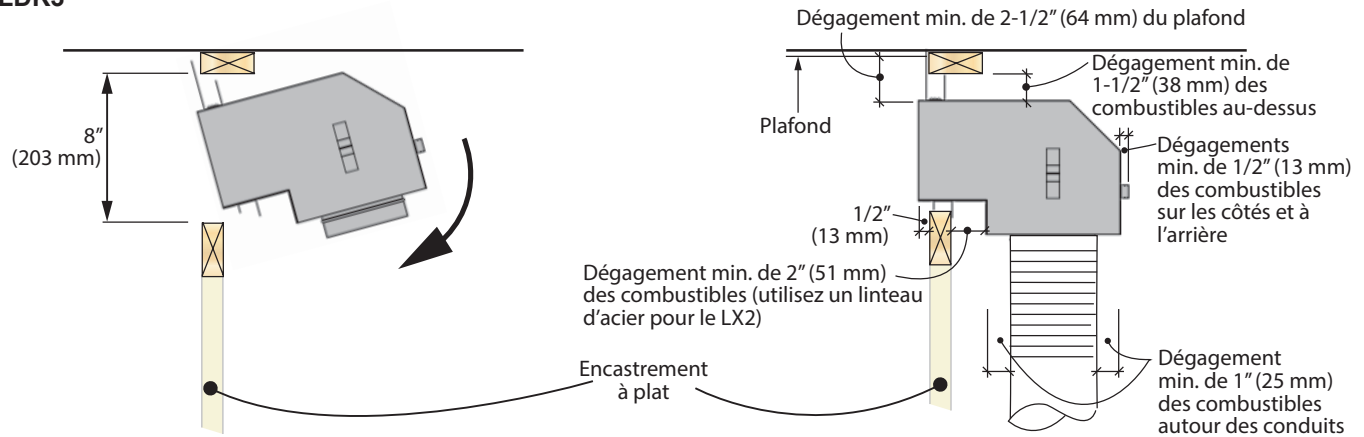


Encastrement et dégagements—Plénums, côté

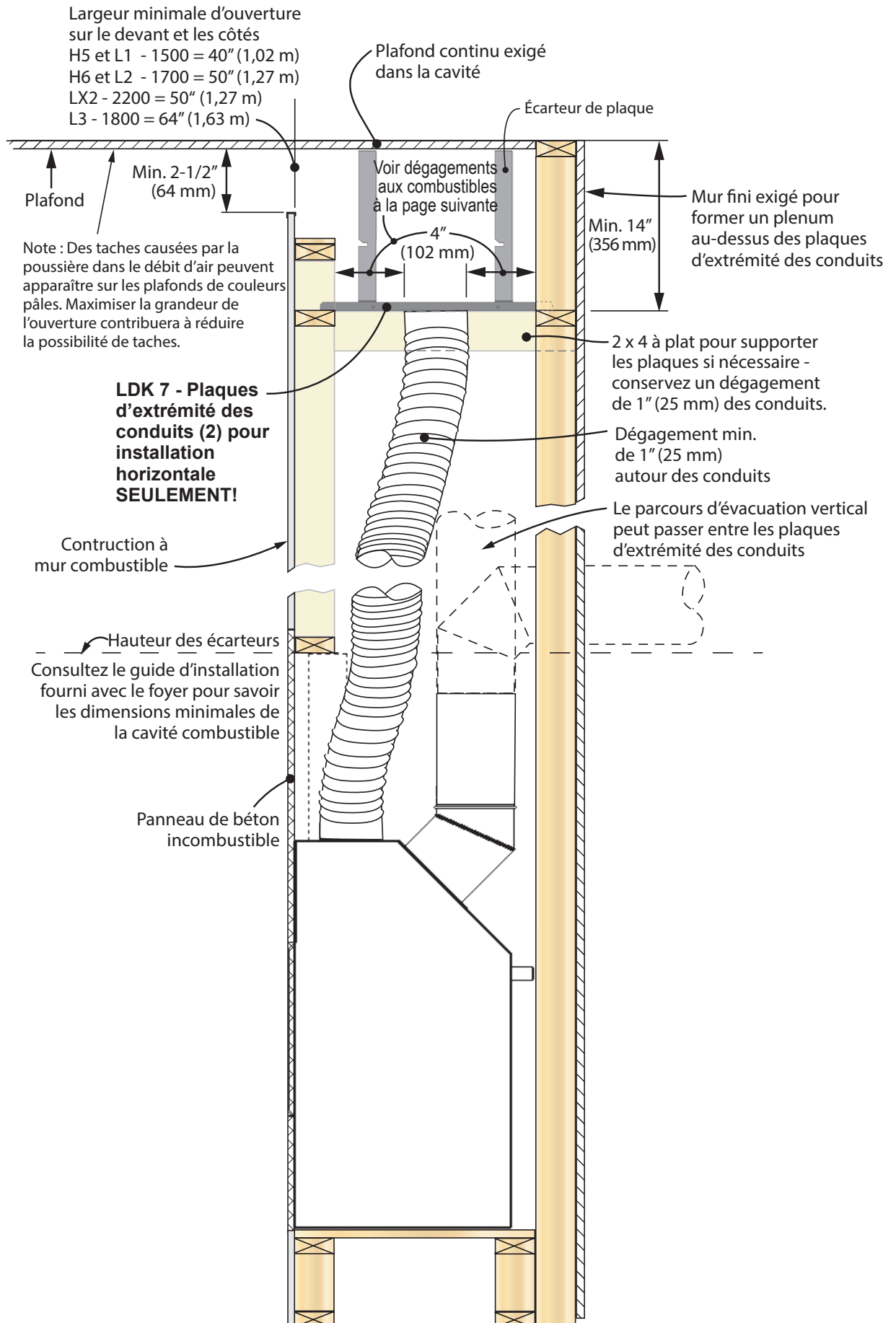
LDK1 & LDK4



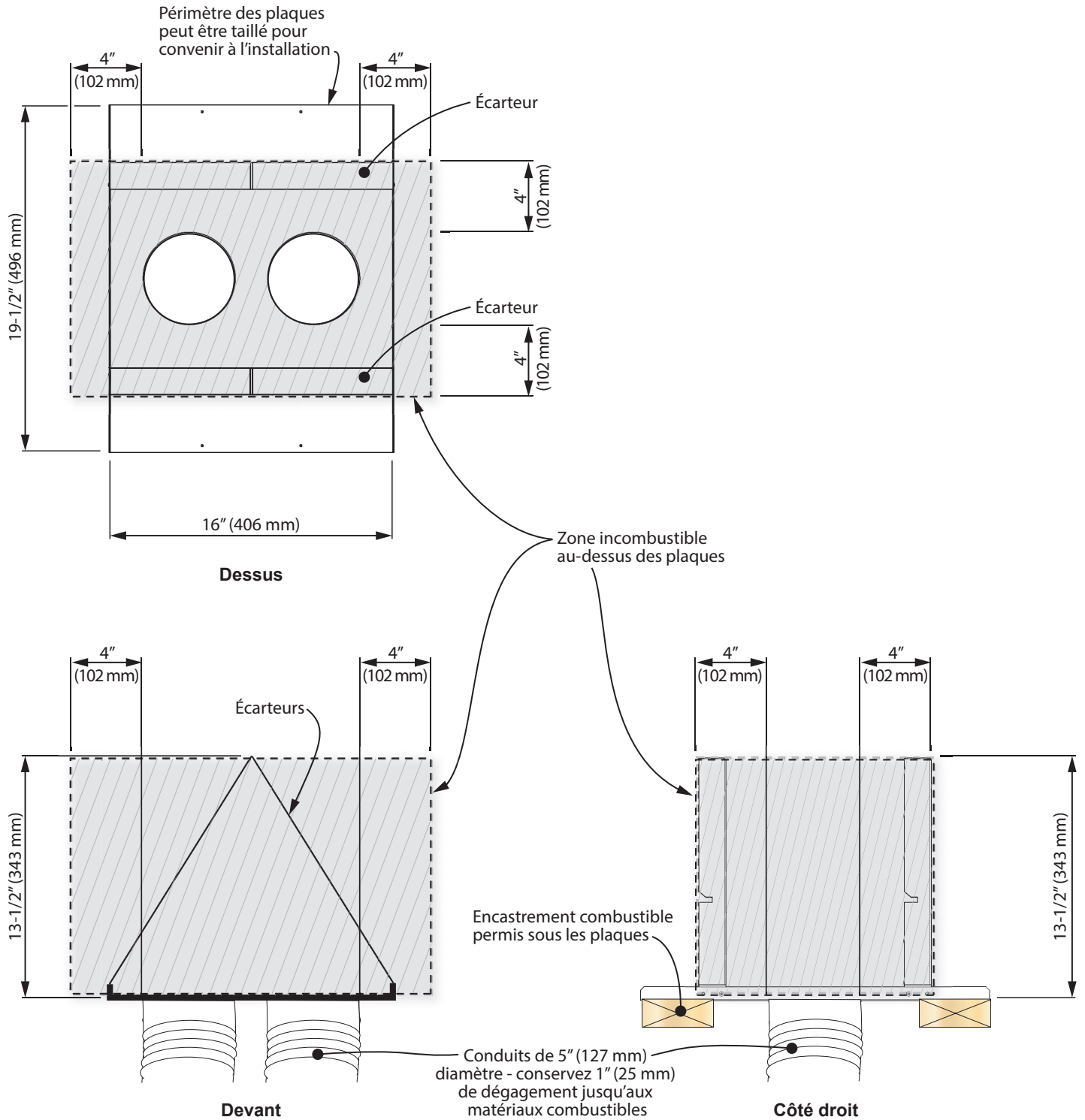
LDK3



Sortie d'air en cantonnière utilisant les Plaques d'extrémité des conduits LDK7



Dégagements des combustibles utilisant le LDK7



Système de canalisation Linear LDK 1, LDK 4 avec Ventilateur de zone 1270RBK facultatif (NON-HOMOLOGUÉ pour usage sur les installations extérieures)

Raccord de sortie universel fourni avec le kit 1270RBK. Peut être raccordé à un ou l'autre bout du plénum. Maximum 1 x 1270RBK kit par plénum.
Note : NE PAS RACCORDER LE 1270RBK directement au foyer si le Système de canalisation LDK est utilisé; raccordez-le au plénum LDK SEULEMENT afin de vous assurer que la température du mur soit plus froide même lorsque le ventilateur 1270 ne fonctionne pas.

Consultez les directives d'installation fournies avec le Système de canalisation d'air HeatShift LDK

Plénum LDK1 ou LDK4

conduits 5" dia.

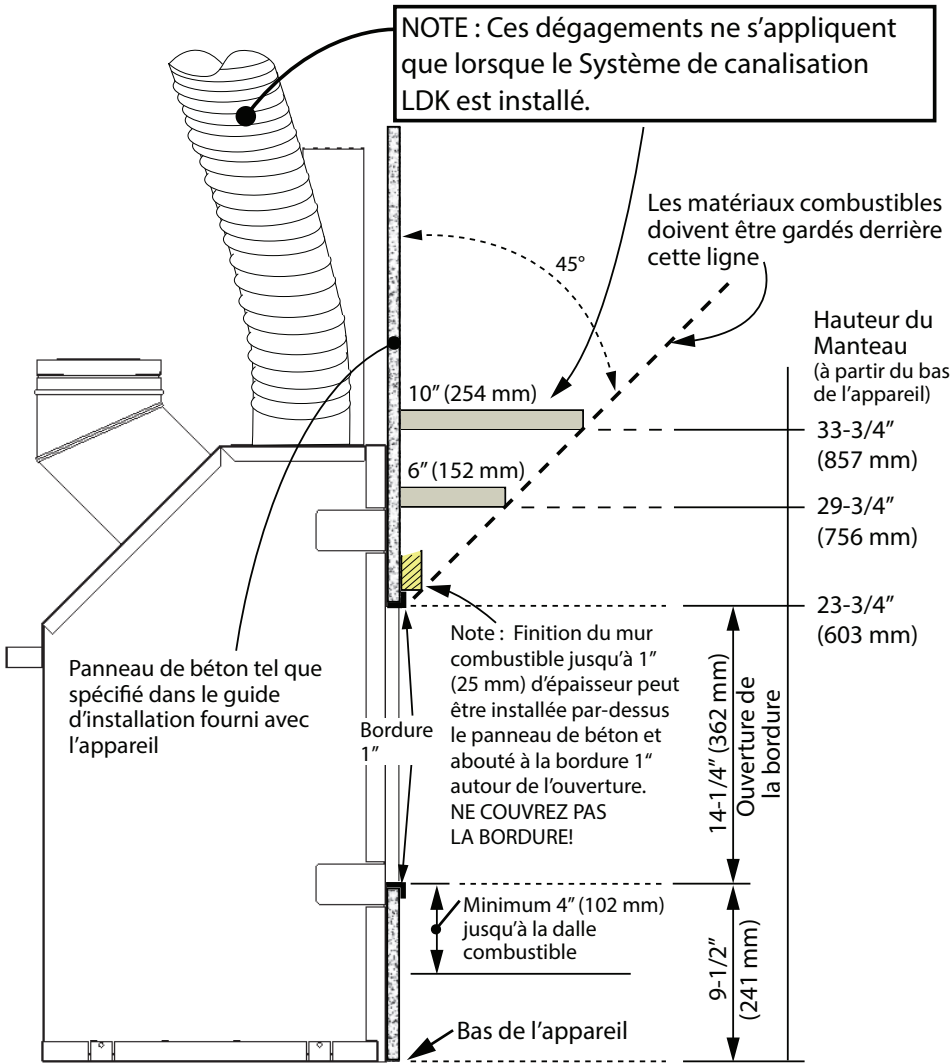
Boîtier du ventilateur 1270RBK - consultez le schéma pour l'emplacement possible du boîtier. Peut être situé plus haut ou plus bas que le plénum LDK.

Foyers Linear 1500J, 1600J, 1700J, 1800J; H5 1100J, 1150J; H6 1400J, 1400K; LX2 2200J

Dégagement—manteau ou tablette **COMBUSTIBLE** foyers Linear (avec HeatShift)

NE S'APPLIQUE PAS AUX FOYERS LX2 2200 PUISQUE LE HEATSHIFT EST EXIGÉ POUR CES MODÈLES. Voir le guide d'installation fourni avec le foyer 2200 pour plus de détails sur les dégagements.

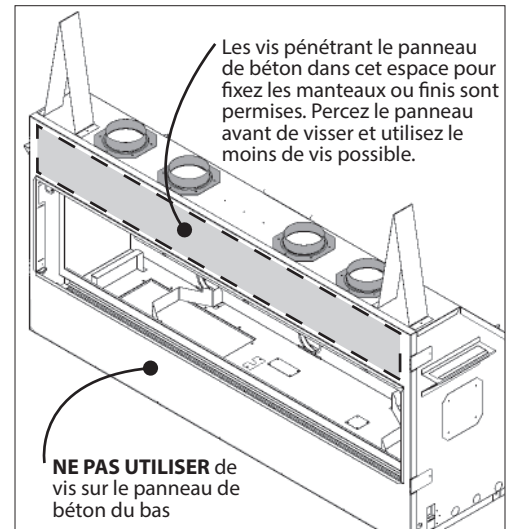
Les dégagements aux murs de côté demeurent les mêmes que ceux indiqués dans le guide d'installation du foyer.



AVERTISSEMENT

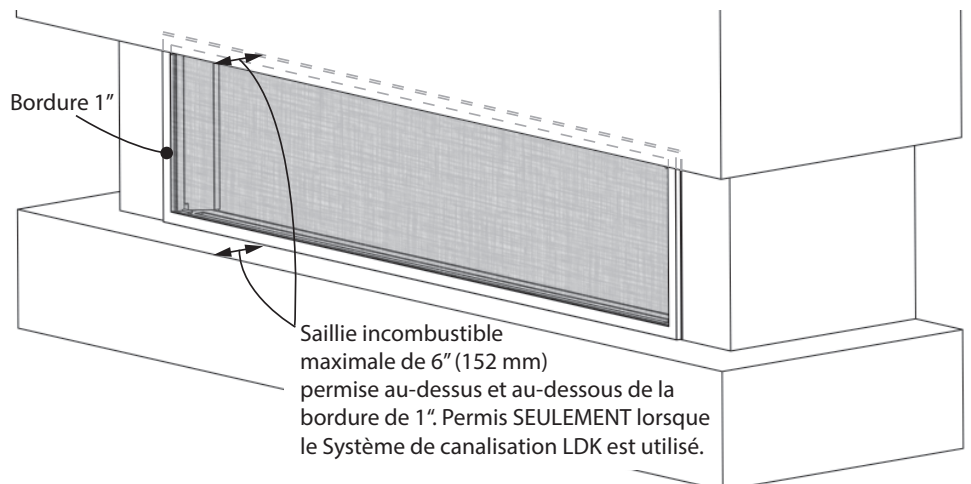
RISQUE DE SURCHAUFFE ET DE FEU!

Assurez-vous que l'installation du LDK soit complétée **et que le déflecteur de convection interne soit enlevé** (voir page 38) pour utiliser ces dégagements au manteau ou tablette combustibles.



Finition **INCOMBUSTIBLE**—saillies égales sur foyers Linear (avec Système de canalisation LDK)

Foyers Linear SEULEMENT (EXCEPTÉ LX2 2200)



Dégagement—manteau ou tablette COMBUSTIBLE foyers H5 et H6 (avec HeatShift)

NE S'APPLIQUE PAS AUX FOYERS LX2 2200 PUISQUE LE HEATSHIFT EST EXIGÉ POUR CES MODÈLES. Voir le guide d'installation fourni avec le foyer 2200 pour plus de détails sur les dégagements.

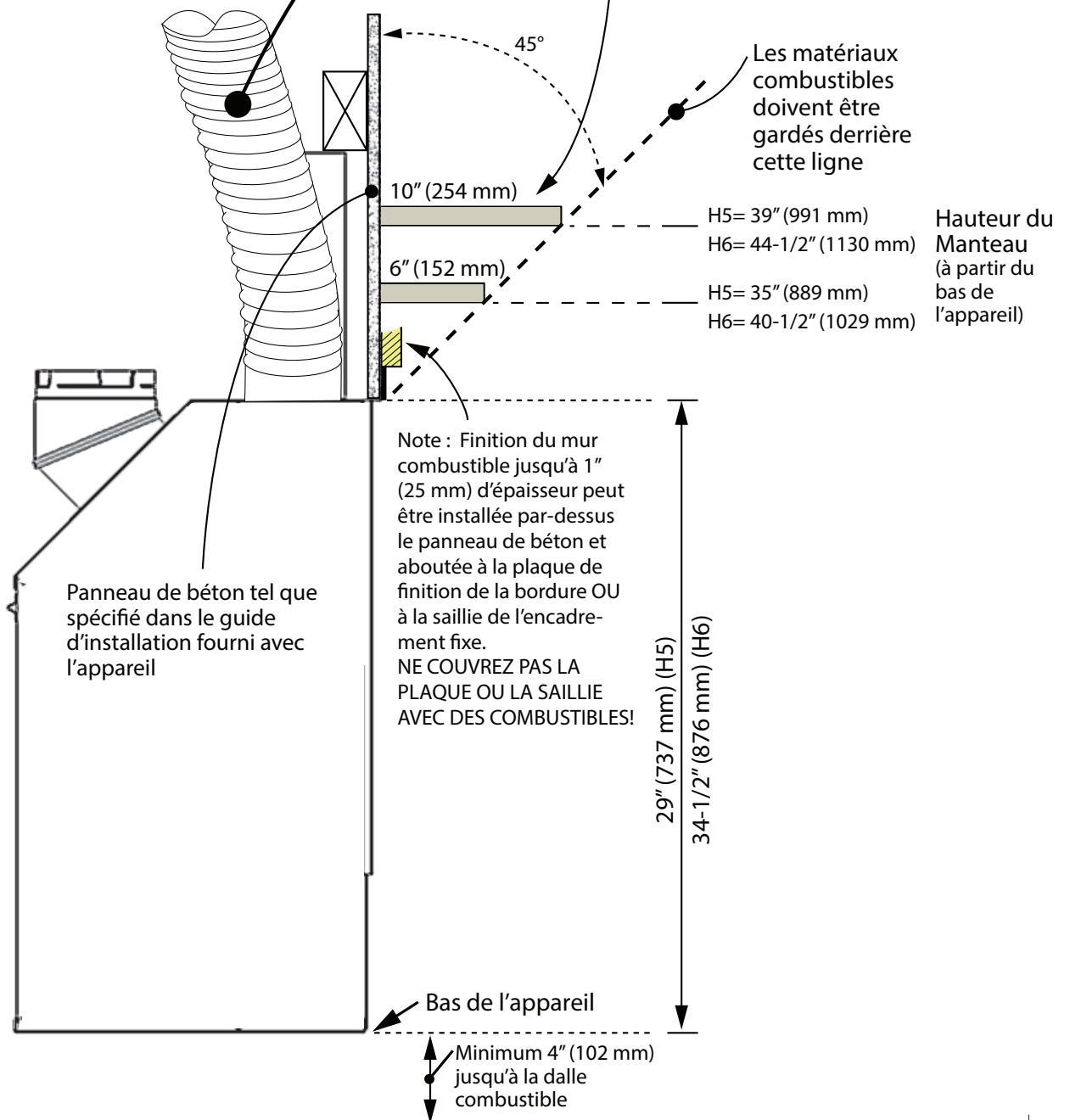
Les dégagements aux murs de côté demeurent les mêmes que ceux indiqués dans le guide d'installation du foyer.

⚠ AVERTISSEMENT

RISQUE DE SURCHAUFFE ET DE FEU!

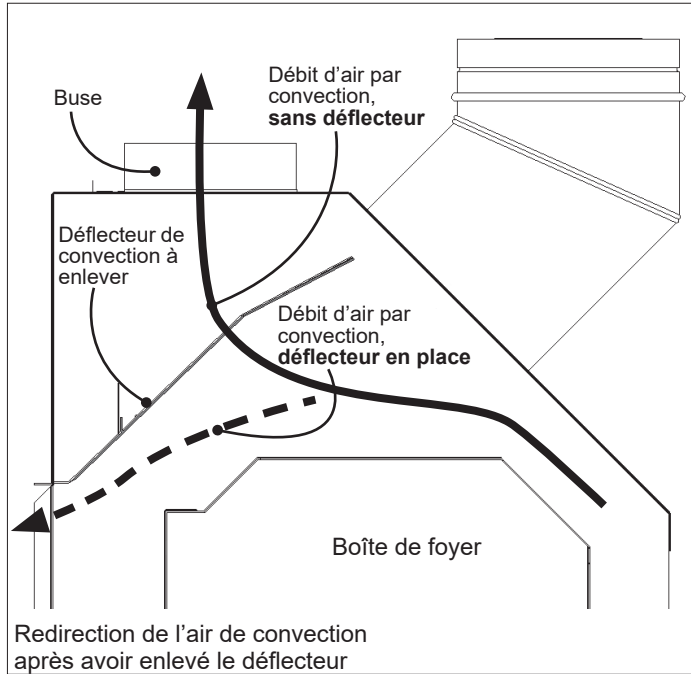
Assurez-vous que l'installation du LDK soit complétée **et que le déflecteur de convection interne soit enlevé** (voir page 38) pour utiliser ces dégagements au manteau ou tablette combustibles.

NOTE : Ces dégagements ne s'appliquent que lorsque le Système de canalisation LDK est installé.



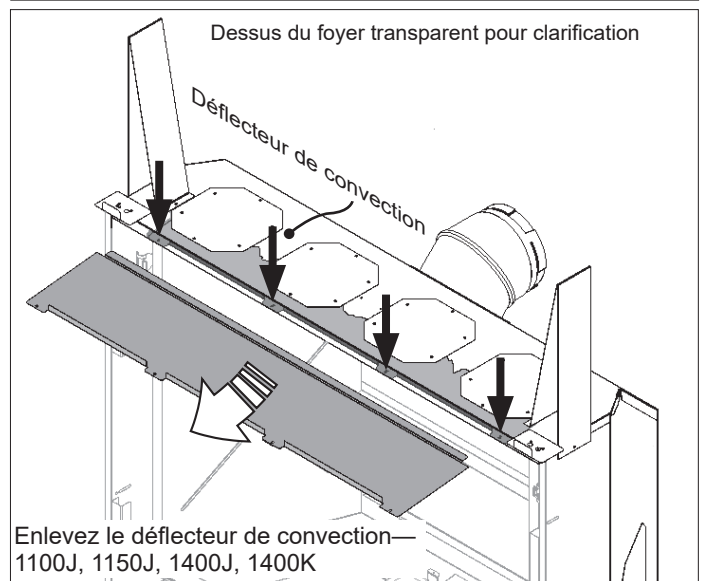
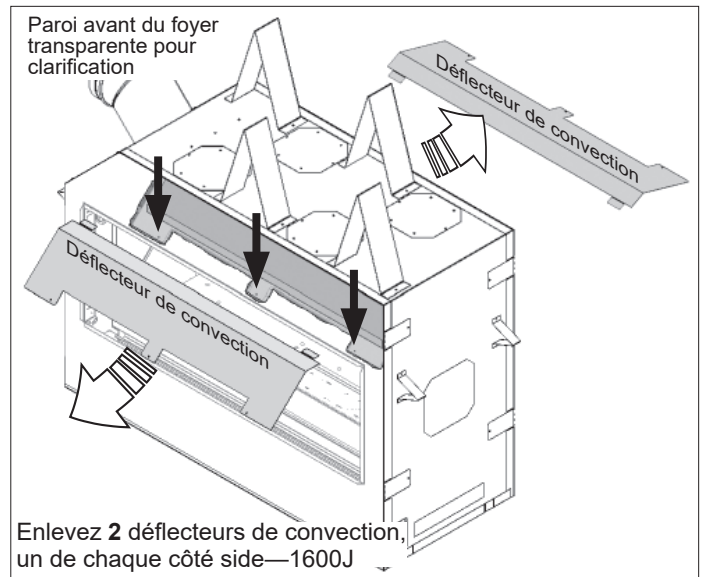
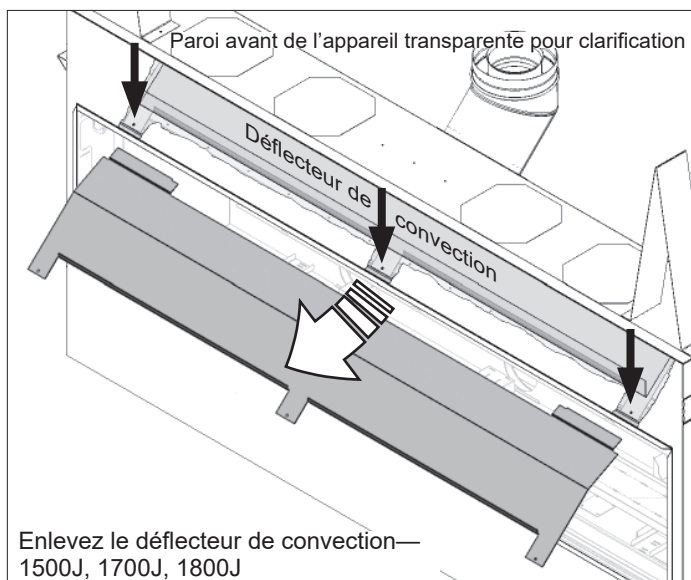
**Enlevez le déflecteur de convection
(EXCEPTÉ LE LX2 2200—allez directement à
la section *Installation* à la page suivante)**

Pour que le Système de canalisation LDK soit efficace, le déflecteur de convection situé au-dessus de la boîte de foyer dans la caisse de l'appareil doit être enlevé afin de permettre à l'air chaud de s'échapper par les conduits installés sur le dessus de la caisse du foyer.



! Enlevez le déflecteur de convection de l'appareil. Il est retenu par des vis situées juste derrière la paroi avant de l'appareil (3 vis, 4 vis pour le déflecteur des 1400s). Recyclez le déflecteur puisqu'il ne sera pas utilisé.

Note : Il y a **deux** déflecteurs à enlever sur le foyer 1600J, un de chaque côté.

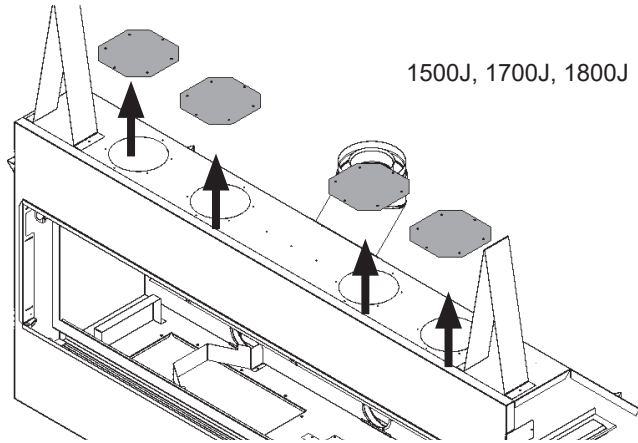


⚠ AVERTISSEMENT

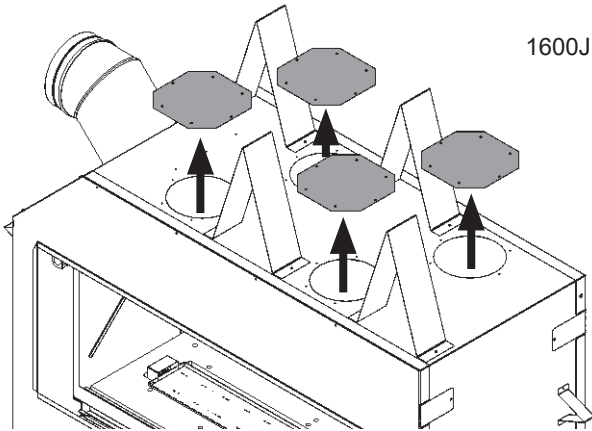
**NE PAS INSTALLER le Ventilateur de
zone 1270RBK aux quatre buses**

Enlevez les quatre couvercles du dessus (EXCEPTÉ le LX2 2200—allez directement à la section *Installation*)

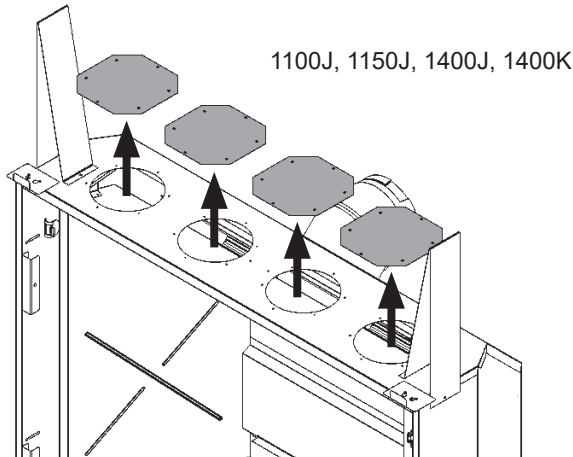
Enlevez les quatre couvercles du dessus de la caisse de l'appareil (6 vis chacune).



1500J, 1700J, 1800J



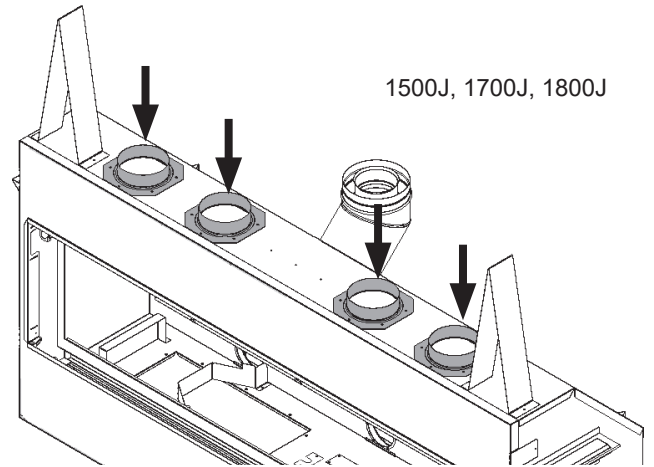
1600J



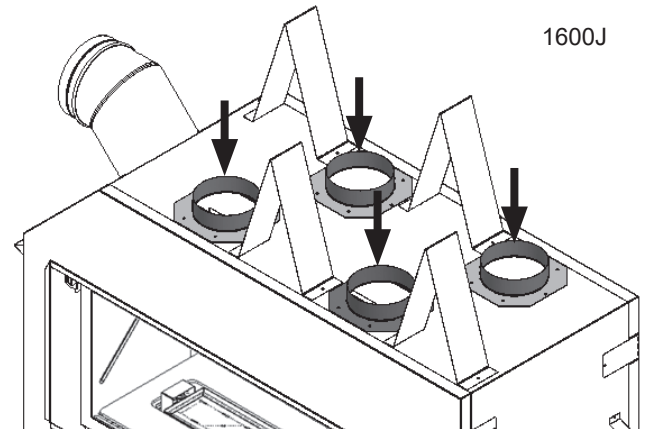
1100J, 1150J, 1400J, 1400K

Installez les buses sur le foyer

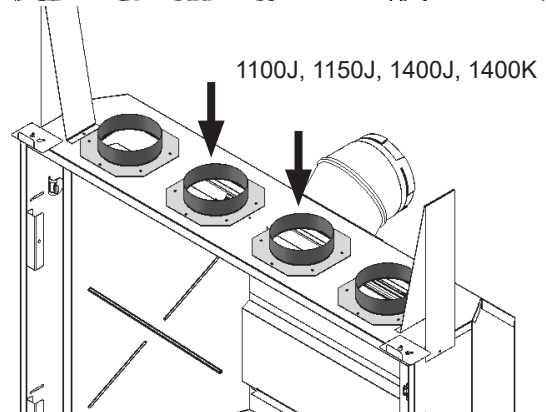
Installez les quatre buses HeatShift sur les trous du dessus de la caisse du foyer (6 vis chacune).



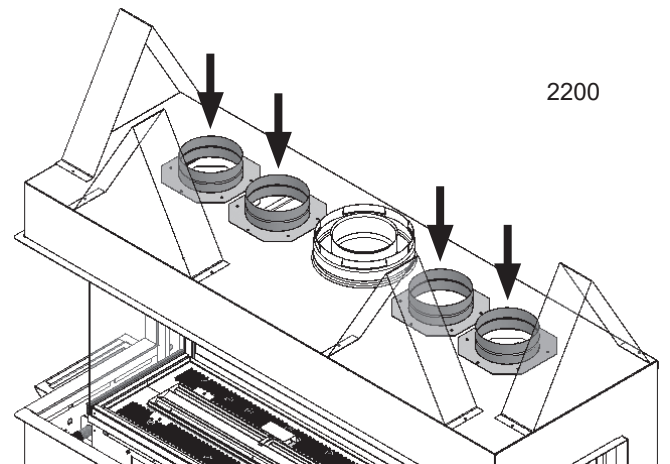
1500J, 1700J, 1800J



1600J



1100J, 1150J, 1400J, 1400K



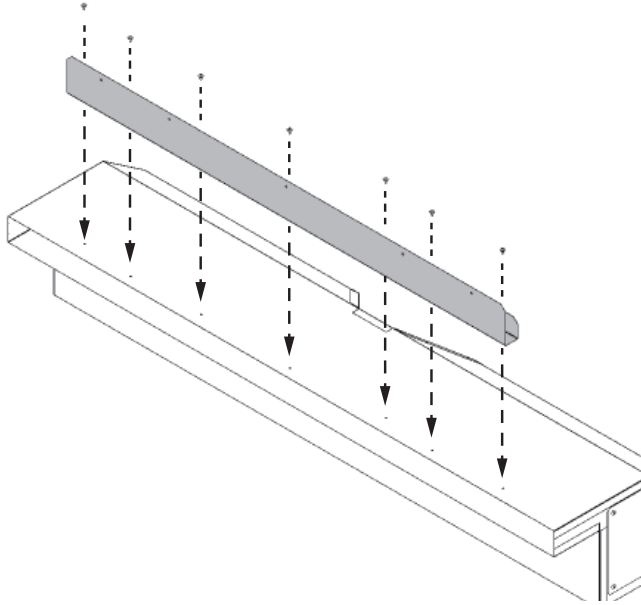
2200

⚠ AVERTISSEMENT

Les QUATRE (4) buses DOIVENT ÊTRE RACCORDÉES AU(X) PLENUM(S).

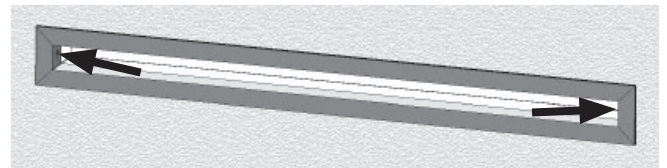
Installez le Plenum (LDK1, LDK3 ou LDK4) —voir page suivante pour l'installation des Plaques d'extrémité des conduits LDK7

1. Montez un encastrement sommaire à l'endroit désiré—consultez les sections précédentes de ce guide afin de connaître les positions permises pour le plenum et les dimensions d'encastrement.
2. Installez les supports de montage/écarteurs au plenum (3 vis par support : utilisez les vis à métal courtes fournies autrement la tige des vis peut empiéter sur l'espace requis pour l'installation du cadre de finition).

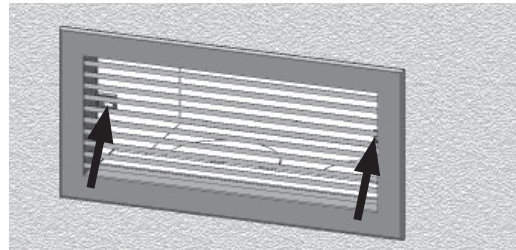


3. Installez le(s) plenum(s) dans l'encastrement en maintenant les dégagements minimaux aux combustibles tel qu'indiqué—voir page 31. Fixez le plenum à l'encastrement par ses supports de montage à l'aide de clous ou vis. **Notez que les supports de montage ne sont pas conçus pour supporter le poids du plenum et des conduits. Installez un support en-dessous du plenum et assurez-vous que le plenum est de niveau et que son ouverture ne soit pas déformée (voir détail à la page 32).** Utilisez des courroies de métal (tout autour, non-incluses) si nécessaire pour solidifier le plenum à l'encastrement.
4. Raccordez une section de conduit répondant aux normes UL-181, Class 1 à chaque buse et fixez les sections avec des colliers de serrage fournis. **NE PAS RACCORDER UN CONDUIT À UN AUTRE!**

5. Raccordez l'autre bout des sections de conduits au plenum à l'aide de colliers de serrage fournis. Une pente vers le haut doit être maintenue s'il y a des sections horizontales afin de favoriser une bonne convection. Utilisez des courroies si nécessaire pour maintenir la position des conduits. Supportez les sections horizontales à chaque 24 pouces.
6. Vaporisez une peinture noire mate à haute température sur les surfaces intérieures des plenums là où elles peuvent être visibles.
Note : Le rebord du cadre de finition blanc (lorsqu'utilisé) couvre approximativement 1-1/4" du métal à l'intérieur de l'ouverture du plenum.
7. Installez le cadre de finition ou les grilles lorsque la finition du mur est complétée :
LDK1, LDK4 : Utilisez le LDK2 ou LDK5 dépendant de la longueur du plenum.



LDK3 : Utilisez les grilles fournies avec le kit.



Note : Le cadre ou grille sont blancs mais peuvent être peints d'une autre couleur si désiré; utilisez une peinture à haute température (250° F/ 121° C). Si on ne veut pas utiliser de cadre ou de grille, la finition du mur peut être amenée jusqu'au périmètre de la sortie d'air du plenum avec le matériau choisi. Ne pas empiéter sur l'ouverture de la sortie du plenum.

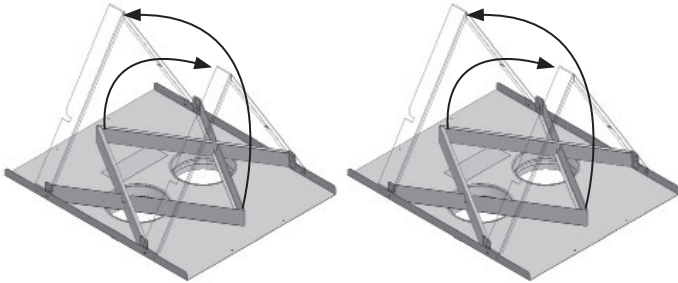
8. Continuez l'installation du foyer.

Installez les Plaques d'extrémité des conduits (LKD7)

—voir la page précédente pour l'installation des plenums LDK1, LDK3 et LDK4

1. Montez un encastrement sommaire à l'endroit désiré—consultez les sections précédentes de ce guide afin de connaître les positions permises pour les plaques d'extrémité des conduits et les dimensions d'encastrement.
2. Sur chaque plaque, pivotez les écarteurs en position verticale et fixez-les à la plaque avec les vis fournies.

2 écarteurs par plaque

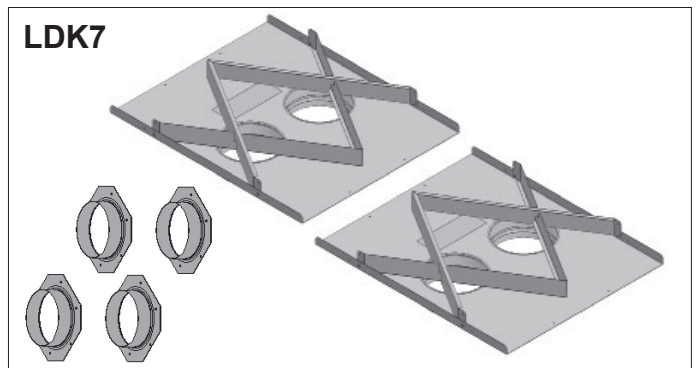
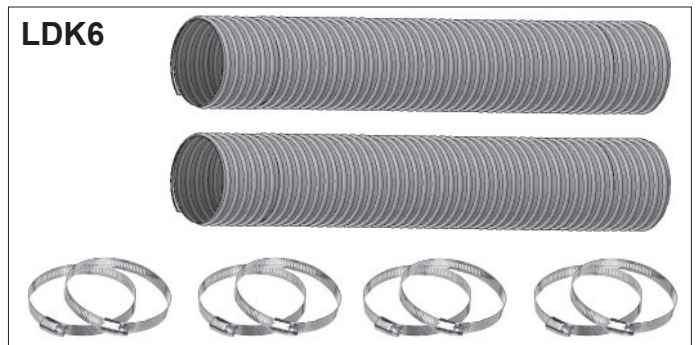
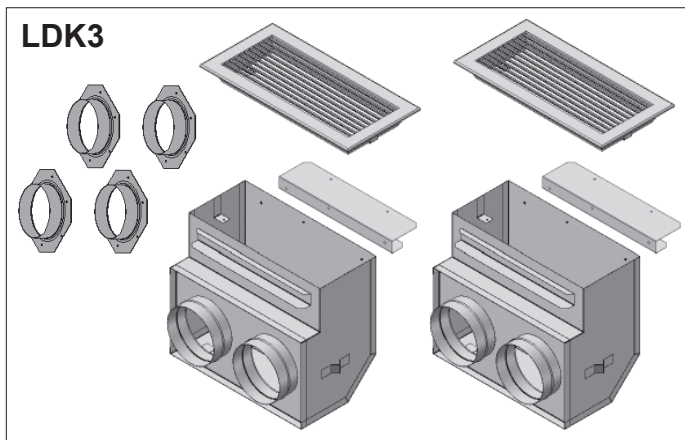
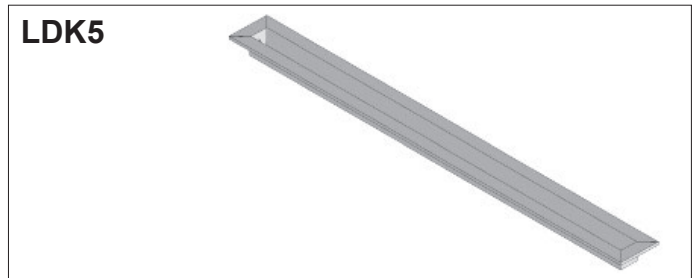
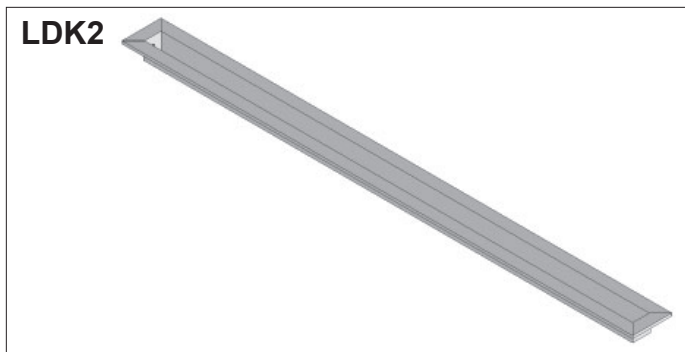
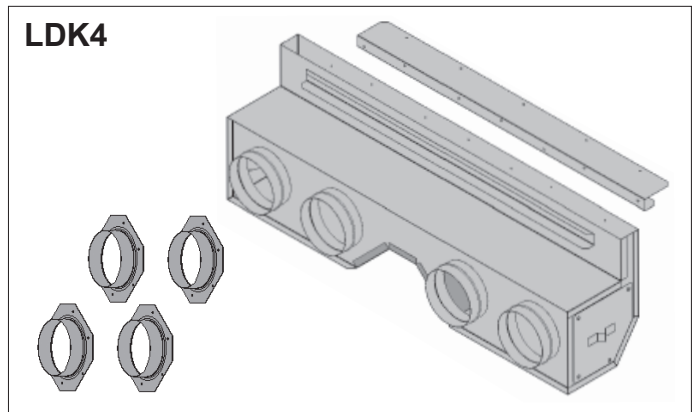
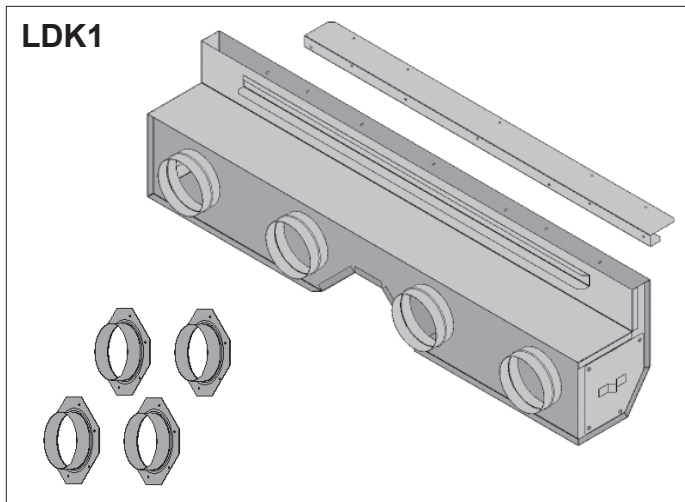


3. Installez les plaques d'extrémité dans l'encastrement vous assurant qu'il y ait 1 pouce de dégagement entre les buses/conduits et les matériaux combustibles sous les plaques et que les dégagements au-dessus des plaques soient maintenues selon les exigences indiquées à la page 34. Le périmètre des plaques d'extrémité peut être taillé si nécessaire pour accommoder les dimensions de l'encastrement. Fixez la plaque à l'encastrement avec des vis ou des clous pour éviter leur mouvement.
4. Raccordez une section de conduit répondant aux normes UL-181, Class 1 à chaque buse et fixez les sections avec des colliers de serrage fournis. **NE PAS RACCORDER UN CONDUIT À UN AUTRE!**
5. Raccordez l'autre bout des sections de conduits aux plaques d'extrémité à l'aide de colliers de serrage fournis. Une inclinaison vers le haut doit être maintenue s'il y a des sections horizontales afin de favoriser une bonne convection. Utilisez des courroies si nécessaire pour maintenir la position des conduits. Supportez les sections horizontales à chaque 24 pouces.
6. Continuez l'installation du foyer.

Liste de pièces

	Description	Pièce n°
LDK1	Kit plénum quadruple 48"	
	Plénum quad 48" sur 2"	4005476
	Buses de 5" (4)	4005478
	Supports de montage/écarteurs	4007211
	Vis #8 1/4" (7)	798601
LDK2	Cadre de finition 48" pour LDK1	
	Aux Frame-SPL 48" x 2" blanc	4005612
LDK3	Kit de plénum double 14"	
	Plenums doubles 14" sur 6" (2)	4005464
	Buses de 5" (4)	4005478
	DABL-00-C-SPL 14" x 6" Grilles blanches (2)	4005614
	Supports de montage/écarteurs (2)	4005566
	Vis #8 1/4" (6)	798601
LDK4	Kit de plénum quadruple 38"	
	Plénum quad 38" sur 2"	4005477
	Buses de 5" (4)	4005478
	Supports de montage/écarteurs	4007213
	Vis #8 1/4" (7)	798601
LDK5	Cadre de finition 38" pour LDK4	
	Aux Frame-SPL 38" x 2" blanc	4005613
LDK6	Kit conduits aluminium 2-plis 5"	
	Conduits souples d'aluminium 5" dia, 10' long (étiré) (2)	4005635
	Colliers de serrage 4.5" - 6.5" (8)	4005642
LDK7	Plaques d'extrémité de conduits	
	Plaque avec écarteur (2)	4006747
	Buses de 5" (4)	4005478
	Vis 8 x 3/8 tap PN HD PH (12)	100A757

Chaque kit LDK est vendu séparément.



Parce que nous favorisons une politique de développement continu, certains détails de la présente publication peuvent varier.

Conçu(e) et fabriqué(e) par / pour **Miles Industries Ltd.**
 190 – 2255 Dollarton Highway, North Vancouver, BC, CANADA V7H 3B1
 Tél. 604-984-3496 Téléc. 604-984-0246 www.foyervalor.com