

INSTALLATION & OWNER'S MANUAL



L2 Series



Direct Vent Zero Clearance Gas Fireplaces 1700JN (natural gas) & 1700JP (propane gas)

DANGER

Please read this manual **BEFORE** installing and operating this appliance.



HOT GLASS WILL CAUSE BURNS.

DO NOT TOUCH GLASS UNTIL COOLED.

NEVER ALLOW CHILDREN TO TOUCH GLASS.

A barrier designed to reduce the risk of burns from the hot viewing glass is provided with this appliance and shall be installed for the protection of children and other at-risk individuals.

INSTALLER

Leave this manual with the appliance.

CONSUMER

Retain this manual for future reference.

WARNING

FIRE OR EXPLOSION HAZARD

Failure to follow safety warnings exactly could result in serious injury, death, or property damage.

- Do not store or use gasoline or other flammable vapors and liquids in the vicinity of this or any other appliance.
- **WHAT TO DO IF YOU SMELL GAS**
 - Do not try to light any appliance.
 - Do not touch any electrical switch; do not use any phone in your building.
 - Leave the building immediately.
 - Immediately call your gas supplier from a neighbor's phone. Follow the gas supplier's instructions.
 - If you cannot reach your gas supplier, call the fire department.
- Installation and service must be performed by a qualified installer, service agency or the gas supplier.

This manual contains instructions to install the **ENGINE ONLY**. A trim kit is **REQUIRED** to complete the installation. A barrier screen is provided with the trim kit. **Refer to the manual supplied with the trim for installation.**

This appliance may be installed in an after-market permanently located, manufactured (mobile) home where not prohibited by local codes.

This appliance is only for use with the type of gas indicated on the rating plate. This appliance is not convertible for use with other gases, unless a certified kit is used.

This appliance is a domestic room-heating appliance. It must not be used for any other purposes such as drying clothes, etc.

This appliance is suitable for installation in a bedroom or bed sitting room.

Ce guide est disponible en français sur demande.

Table of Contents

FOR THE OWNER

Safety and Your Fireplace	3
Introduction	6
Locating Fireplace & Lighting Information Card	6
Operating Your Fireplace for the First Time.....	6
Operating Your Fireplace	7
Fireplace Control Devices	7
How to Turn Your Fireplace ON.....	7
How to Turn Your Fireplace OFF (and pilot).....	7
How to Ensure Your Fireplace Cannot Be Turned ON Inadvertently	7
Using the Remote Control	8
Using the Wall Switch	13
Kits & Accessories	13
Lighting Instructions	14
Maintaining Your Fireplace	15
Servicing Your Fireplace.....	15
Annual Inspection.....	15
Cleaning Your Fireplace	16
Checking Pilot and Burner Flames	18
Replacing Batteries	19
Using Handset Wall Holder.....	19
Warranty	63

FOR THE QUALIFIED INSTALLER

Specifications	20
Overview	21
Dimensions & Location	22
Mantel & Hearth Clearances	23
Framing Requirements	25
Venting	28
Co-axial Venting	29
Co-linear Venting	33
Installation Planning	35
Plan Wall Finish	35
Installation	37
Unpack the Appliance.....	37
Install the Standoffs.....	37
Remove Heat Shield.....	37
Convert Vent Outlet (if required).....	37
Fit optional LDK HeatShift Duct Kit's take-off collars to appliance (if used)	37
Remove Window	38
Fit the Appliance into Framing	38
Complete Installation of optional LDK HeatShift Duct Kit (if used).....	38
Install Electrical Wiring (for optional accessories) ...	39
Set-up Gas Supply	40
Install Liners	42
Install Driftwood Kit 1705DWK	44
Install Decorative Glass Murano 1700DGM	47
Install Rocks & Shale Set 1714RSS.....	48
Install Split Wood Kit 1700SWK	50
Refit Window	53
Install Remote Battery and Wall Switch Kit RBWSK (required).....	54
Synchronize Remote Control.....	56
Check Operation.....	56
Set Aeration (if necessary)	56
Install Trim and Barrier Screen	57
Install Remote Control Handset Wall Holder	57
Wiring Diagram	58
Approved Venting Components	59
Commonwealth of Massachusetts	61
Warranty	63
Spare Parts	64

Warranty Card at the back of this manual.



The information contained in this installation manual is believed to be correct at the time of printing. Miles Industries Ltd. reserves the right to change or modify any information or specifications without notice. Miles Industries Ltd. grants no warranty, implied or stated, for the installation or maintenance of your heater, and assumes no responsibility for any consequential damage(s).



We recommend that our gas hearth products be installed and serviced by professionals who are certified in the U.S. by the National Fireplace Institute® (NFI) as NFI Gas Specialists.

www.nficertified.org

Designed and Manufactured by / for Miles Industries Ltd.
 190–2255 Dollarton Highway,
 North Vancouver, BC, CANADA V7H 3B1
 Tel. 604-984-3496 Fax 604-984-0246
www.valorfireplaces.com

Massachusetts: The piping and final gas connection must be performed by a licensed plumber or gas fitter in the State of Massachusetts. Also, see Carbon Monoxide Detector requirements on page 61.



SAFETY AND YOUR FIREPLACE

Read and understand all instructions carefully before starting the installation. **Failure to follow** these installation instructions may result in possible fire hazard and will void the warranty.

Prior to the first firing of the fireplace, read the Owner's information section of this manual.

Do not use this appliance if any part has been under water. Immediately, call a qualified service technician to inspect the unit and to replace any part of the control system and any gas control that has been under water.

This unit is not for use with solid fuel.

Installation and repair should be performed by a qualified service person. The appliance and venting system should be **inspected** before initial use and at least annually by a professional service person. More frequent cleaning may be required due to excessive lint from carpeting, bedding, etc. It is **imperative** that the unit's control compartment, burner, and circulating air passageways **be kept clean** to provide for adequate combustion and ventilation air.

Always keep the appliance clear and free from combustible materials, gasoline, and other flammable vapors and liquids.

Never obstruct the flow of combustion and ventilation air. Keep the front of the appliance **clear** of all obstacles and materials for servicing and proper operation.

This unit must be used with a vent system as described in this installation manual. **No other vent system or components may be used.**

This gas fireplace and vent assembly must be vented directly to the outside and must never be attached to a chimney serving a separate solid fuel burning appliance. Each gas appliance must use a separate vent system. Common vent systems are prohibited.

Inspect the external vent cap on a regular basis to make sure that no debris, plants, trees, shrubs are interfering with the air flow.

Turn off the gas before servicing this appliance. It is recommended that a qualified service technician perform an appliance check-up at the beginning of each heating season.



WARNING:

This product can potentially expose you to chemicals including Benzene which are known to the State of California to cause cancer and birth defects or other reproductive harm. **For more information go to www.P65Warnings.ca.gov**

Do not use this heater as a temporary source of heat during construction.

Due to the high temperature, the appliance should be **located** out of traffic areas and away from furniture and draperies.

Clothing or flammable material **should not be placed** on or near the appliance.

This appliance is a **domestic room-heating appliance**. It must not be used for any other purposes such as drying clothes, etc.

Do not place furniture or any other combustible household objects within 36" of the fireplace front.

Be careful not to put any decorating objects sensitive to heat to close above or around the fireplace as it gets very hot when operating.

The glass door assembly must be in place and sealed before the unit can be placed into safe operation.

Do not operate this appliance with the glass door removed, cracked, or broken. Replacement of the glass door should be performed by a licensed or qualified service person. Do not strike or slam the glass door.

The glass door assembly shall only be replaced as a complete unit, as supplied by the fireplace manufacturer. No substitute material may be used.

Do not use abrasive cleaners on the glass door assembly. Do not attempt to clean the glass door when it is hot.

A barrier designed to reduce the risk of burns from the hot viewing glass is provided with this appliance and **shall be installed for the protection of children and other at-risk individuals.**

If the barrier becomes damaged, the barrier shall be replaced with the manufacturer's barrier for this appliance.

Any safety screen, guard or barrier removed for servicing the appliance, must be replaced prior to operating the appliance.

Children and adults should be alerted to the hazards of high surface temperature and should stay away to avoid burns or clothing ignition.

Young children should be carefully supervised when they are in the same room as the appliance. Toddlers, young children and others may be susceptible to accidental contact burns. A physical barrier is recommended if there are at-risk individuals in the house. To restrict access to a fireplace or stove, install an adjustable safety gate to keep toddlers, young children and other at-risk individuals out of the room and away from hot surfaces.



Safety and Your Fireplace

Read and carefully follow all safety warnings and operating instructions contained in your owner's manual

Replacement manuals are available by contacting the Valor Service Department at 1-800-468-2567 or visit www.valorfireplaces.com.

FOLLOW THESE IMPORTANT CHILD SAFETY PRECAUTIONS AND RECOMMENDATIONS

Parts of your Valor Fireplace become extremely hot while in operation.

The glass viewing window temperature can exceed 500 F at full capacity.

Momentary contact with a hot glass surface can cause a severe burn, even if the fireplace is operating at reduced heating capacity.

The glass window will remain hot for an extended period of time after the fireplace has been turned off. Ensure that children are prevented from touching the fireplace during the cool down period.

Toddlers and Young Children must be closely supervised at all times when they are in the same room as the operating fireplace. They lack full awareness of danger and rely on your protection. Toddlers, in particular, do not have the motor skills and response reflexes to withdraw in the event of accidental contact with a hot surface.

A physical barrier is strongly recommended if there are young children, or at-risk individuals in the house. Install an approved after-market safety gate to keep toddlers, young children and



other at-risk individuals a safe distance from the fireplace.

Keep the remote control handset out of reach of children at all times. A wall mount storage holster is provided with your remote control handset.

Ensure that the fireplace, including the pilot light, is completely turned off when children are present and close supervision and safety barriers are not available—see page 7 of this manual.

If the fireplace is not going to be used for the summer or any extended period of time, remove the batteries from the remote control handset and remote battery box. It is recommended that batteries are replaced annually in any event—see page 19.



SAFETY AND YOUR FIREPLACE

This manual and particularly the preceding and following pages contain very important information regarding the safe operation of your fireplace as well as maintenance instructions. Read carefully before operating your fireplace and pay special attention to the safety warnings.

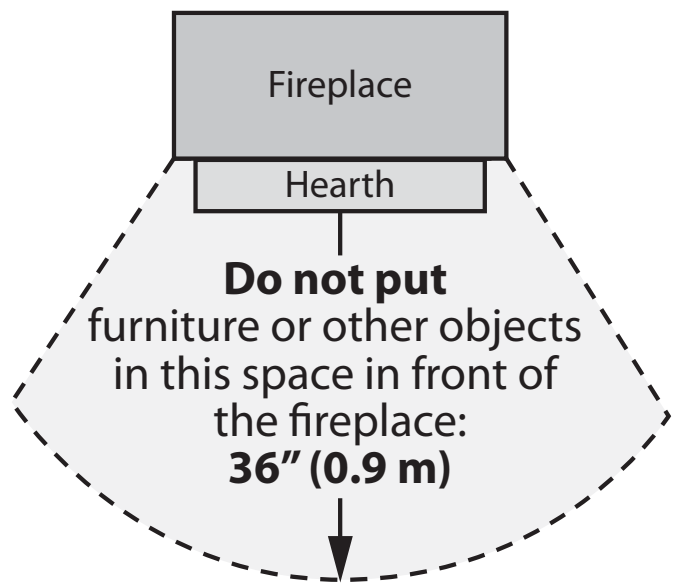
A heating gas appliance does require safe handling. For this reason, we very strongly recommend children are not allowed to touch the fireplace or controls. **Install a screen or barrier in front of the fireplace to protect your children against severe burns.**

This appliance is designed and approved as a supplemental heater and provides the potential for most energy conservation when used while attended. The use of an alternate primary heat source is advisable.



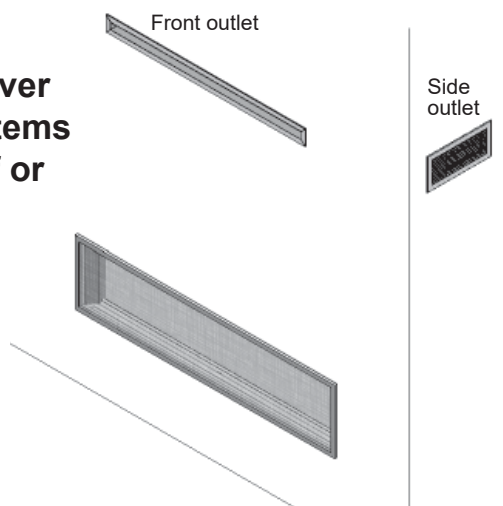
WARNING EXTREMELY HOT!!!

- **Read the safety information on pages 3 and 4 of this manual before operating your gas heater.**
- Some parts of your fireplace are **extremely hot**, particularly the **glass** window.
- **Do not let children touch the glass** or any parts of your fireplace **even after it is turned off** as it is still hot.
- **Use the barrier screen** provided with the trim or a gate to reduce the risk of severe burns.
- Keep the remote control handset **out of reach of children.**
- **Hot wall surfaces!** The wall directly above the fireplace is **very hot** when the fireplace heats. It is constructed of non-combustible materials and although safe, it may reach temperatures **in excess of 200° F** depending on choice of trims or optional accessories. **DO NOT TOUCH! We recommend installing the optional LDK HeatShift Duct Kit when hot walls are a concern.**
- Some materials or items, although safe, may discolor, shrink, warp, crack, peel, and so on because of the heat produced by the fireplace. **Avoid placing** candles, paintings, photos, and other items **sensitive to heat** within 36 inches (0.9 m) around the fireplace.
- Solid wood flooring in front of the fireplace (if allowed) may shrink during the heating season due to heat.



WARNING

HeatShift Duct Kit:
Do not cover or place items in front of or on top of outlet(s)!



Thank You ...

For purchasing a Valor by Miles Industries. Your new radiant gas heater is a technical appliance that must be installed by a qualified dealer. Each Valor fireplace is fully tested during the production process for your safety and comfort.

Your unit has been professionally installed by:

Dealer Name: _____

Phone Number : _____

Should you encounter an operational problem, call your dealer immediately.

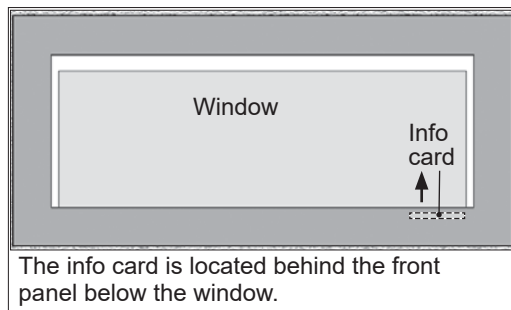
Do not try to repair the unit as you may cause an injury or damage the fireplace.

Locating Fireplace & Lighting Information Card

⚠ WARNING

DO NOT ATTEMPT TO TOUCH THE DATA CARD WHILE THE FIREPLACE IS STILL HOT! Let the fireplace cool first before touching it.

The Fireplace and Lighting Information card is located at the right hand side of the fireplace opening. The card is attached under the plinth.



To access the card, remove the barrier screen, side doors and the plinth. Grab the card and pull it out. There is important information on both sides of the card.

Operating Your Fireplace for the First Time

When operating your new fireplace for the first time, some vapors may be released due to the burning of curing compounds used in the manufacture of the appliance. They may cause a slight odor and could cause the flames to be the full height of the firebox, or even slightly higher, for the first few hours of operation.

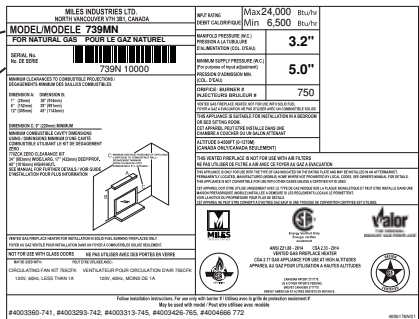
It is also possible that these vapors could set off any smoke detection alarms in the immediate vicinity. These vapors are quite normal on new appliances. We recommend opening a window to vent the room. After a few hours use, the vapors will have disappeared and the flames will be at their normal height.

Flame Supervision Device

For your safety, this appliance is fitted with a flame supervision device which will shut-off the gas supply if, for any reason, the pilot flame goes out. This device incorporates a fixed probe, which senses the heat from the pilot flame. If the probe is cool, the device will prevent any gas flow unless manually lighting the pilot. See full lighting instructions on page 14 of this manual.

Performance of propane gas appliances may be affected by the quality of commercial gas supplied in your area.

Fireplace model
Serial number

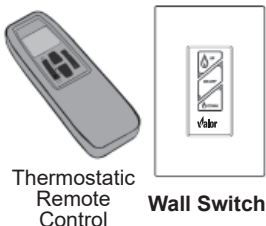


Operating Your Fireplace

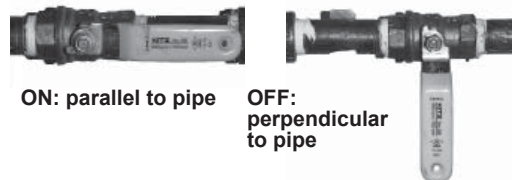
Fireplace Control Devices

There are two ways to control your fireplace.

1. Thermostatic Remote Control can be programmed to function automatically—see pages 8–12;
2. Wall Switch turns fire on, off and controls flame height—see page 13.



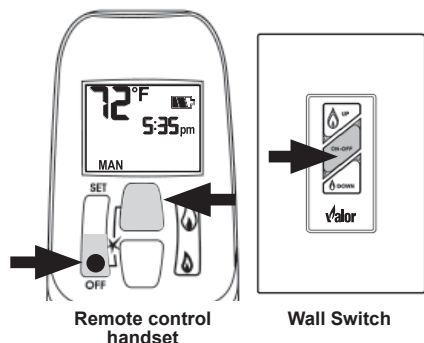
Alternately, turn off gas supply. In all cases, call your dealer for service assistance.



How to Turn Your Fireplace ON

Press and hold button(s) until a short beep confirms the start sequence has begun; release buttons.

Continuing beeps confirm the ignition is in process. When the pilot is lit, the gas flows—see *Using the Remote Control* section for more information.

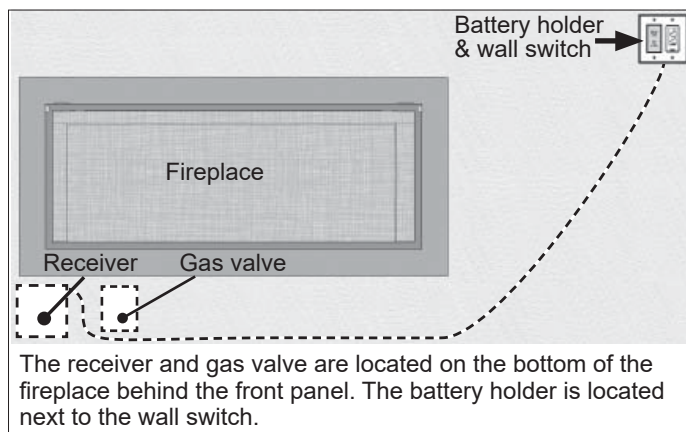


How to Ensure Your Fireplace Cannot Be Turned ON Inadvertently

⚠ WARNING

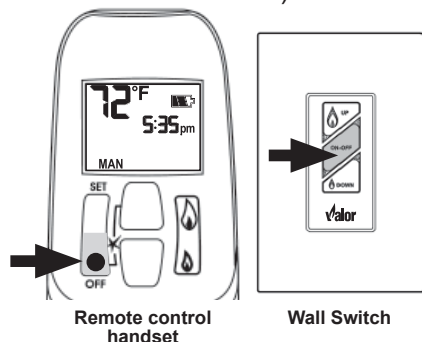
RISKS OF SEVERE BURNS! SURFACES OF THE FIREPLACE ARE VERY HOT DURING OPERATION! Ensure fireplace has cooled off before accessing controls.

You can use one of the two following methods to ensure that your fireplace will not turn on when you don't want it on.

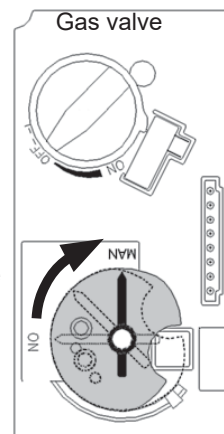


How to Turn Your Fireplace OFF (and pilot)

Press and hold the OFF button for a second (either on the handset or the wall switch).



- On gas valve, turn dial from ON position to MAN position as shown. Turning dial to MAN will ensure that main burner cannot come on. The pilot will remain on if lit.
- Alternately, remove all batteries from the battery holder next to the wall switch as well as the battery from the handset.



If the flames are on, they go down and you hear the valve motor wind down. You hear a clunk and a beep indicating that the valve has received the signal from the remote control.

In the unlikely event that you cannot turn off your fireplace with the remote control handset, use the wall switch; if the wall switch malfunctions and will not turn off the fireplace, wait 6 hours and the fireplace will automatically go to pilot. You can then access the controls inside your fireplace.

Automatic Shut-Off (in certain conditions)

Your fireplace's remote control is equipped with an automatic shut-off mechanism which is activated in certain conditions. See page 12 in the *Using the Remote Control* section for a description of this feature.

Using the Remote Control

Radio Frequency

315 MHz for USA and Canada.

This device complies with Part 15 of the FCC Rules and with Industry Canada license-exempt RSS standard(s). Operation is subject to the following two conditions:

- (1) this device may not cause harmful interference, and
- (2) this device must accept any interference received, including interference that may cause undesired operation.

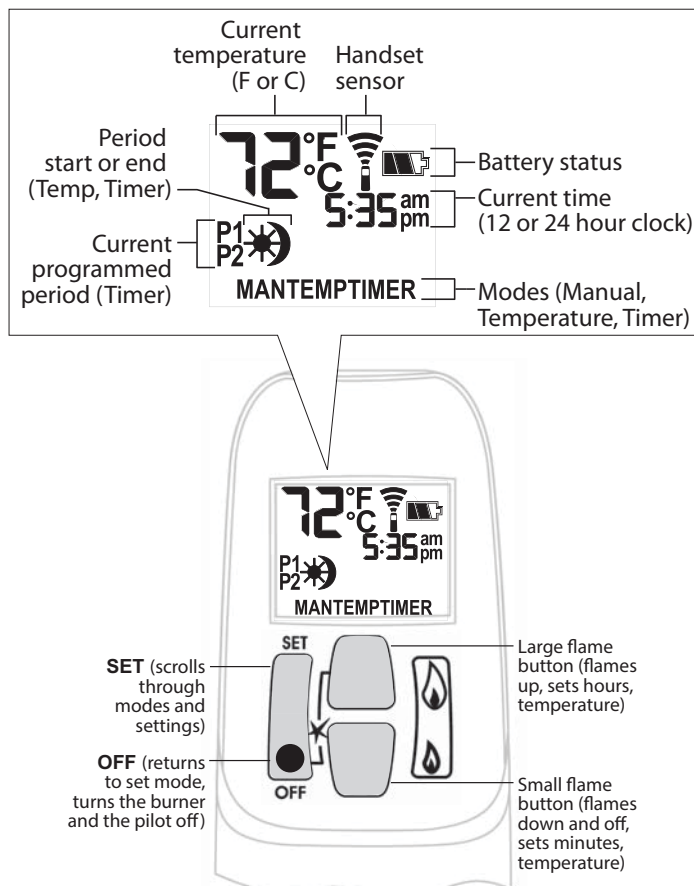
NOTE: Before using the remote control system for the first time, the receiver and the handset must be synchronized. See the section *Synchronize Remote Control*.

IMPORTANT: BEFORE YOU BEGIN, please note that on this system, the settings of time, temperature and automatic ON/OFF **can only be programmed when the function display is flashing**. Be patient when programming as it can take a few seconds to set.

Note: In the TEMP or TIMER modes, the remote handset senses the room temperature and adjusts the flame accordingly.

To communicate, the handset should be within 15 feet (4.5 meters) of the fireplace.

Do not leave the handset on the mantel or hearth.




TO TURN ON APPLIANCE

CAUTION

When pilot ignition is confirmed, motor turns automatically to maximum flame height.

On the valve, turn MAN knob on the ON, full counterclockwise  position.

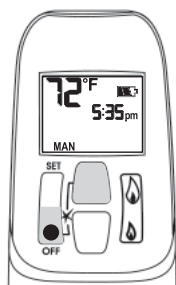
Place ON/OFF switch (if equipped) in I (ON position).

Simultaneously press the OFF and  (large flame) buttons until a short beep confirms the start sequence has begun; release buttons.

Continuing beeps confirm the ignition is in process.

Once pilot ignition is confirmed, there is main gas flow.

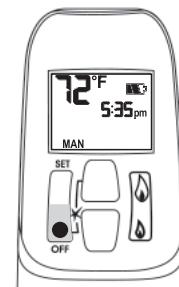
After main burner ignition the handset will automatically go into manual (MAN) control mode.




TO TURN OFF APPLIANCE

Press OFF button.


When the pilot is off, it will take 2 minutes before it can be lit again.

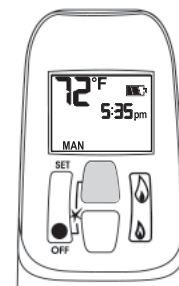


STANDBY MODE (Pilot Flame)


Press and hold  (small flame) to set appliance at pilot flame.



FLAME HEIGHT ADJUSTMENT

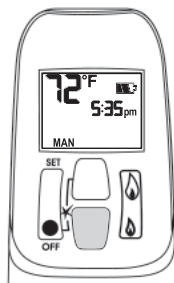
In standby mode: Press and hold  (large flame) button to increase flame height.




Using the Remote Control

Press and hold  (small flame) button to decrease flame height or to set the appliance at pilot flame.

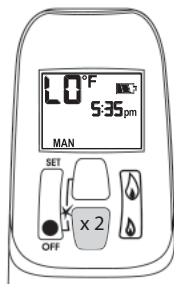
For fine adjustment tap the  (large flame) or  (small flame) buttons.




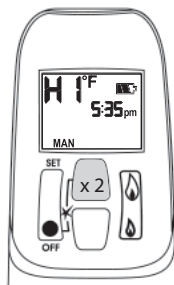
Express Low and High Fire

Double-click  (small flame) button. "LO" will be displayed.


NOTE: Flame goes to high fire first before going to designated low fire.

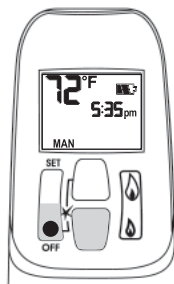


Double-click  (large flame) button. Flame automatically goes to high fire. "HI" will be displayed.




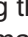
SETTING °C/24-HR OR °F/12-HR CLOCK

In MAN mode, press OFF and  (small flame) buttons until display changes from Fahrenheit/12-hour clock to Celsius/24-hour clock and vice versa.




SETTING THE TIME

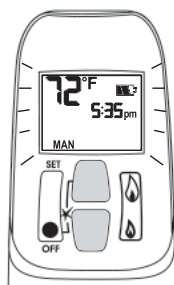
The time display will flash after either:

- Installing the battery or
- Simultaneously pressing the  (large flame) and  (small flame) buttons.

Press  (large flame) button to set the hour.

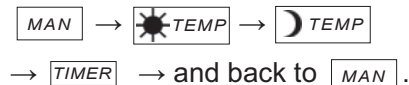
Press  (small flame) button to set the minute.



Press OFF or simply wait to return to MAN mode.



MODES OF OPERATION

Briefly pressing the SET button changes the mode of operation in the following order:



NOTE: Manual mode can also be reached by pressing either the  (large flame) or the  (small flame) buttons.

MAN - Manual Mode - Manual Flame Height Adjustment.

***TEMP** - Daytime Temperature

Mode (Appliance must be in standby mode; pilot ignited) - The room temperature is measured and compared to the set temperature. The flame height is then automatically adjusted to achieve the Daytime Set Temperature.

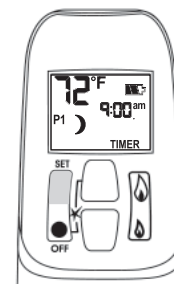
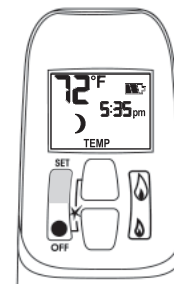
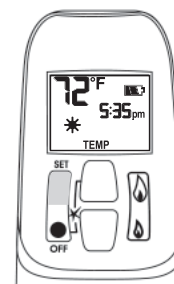
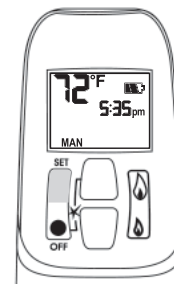
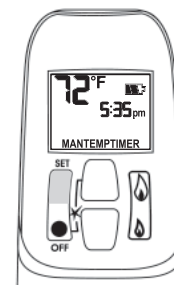
)TEMP - Nighttime Setback

Temperature Mode (Appliance must be in standby mode; pilot ignited) - The room temperature is measured and compared to the Nighttime Setback temperature. The flame height is then automatically adjusted to achieve the Nighttime Setback Temperature.

TIMER - Timer Mode (Appliance must

be in standby mode; pilot ignited) - The timers P1 and P2 (Program 1, Program 2) each can be programmed to go ON and OFF at specific times. For instructions see Timer Programming Mode.

NOTE: The display shows the set temperature every 30 seconds.




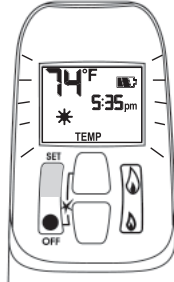
Using the Remote Control



SETTING THE ON / OFF TEMPERATURES

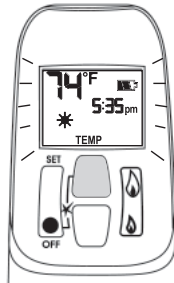
SETTING THE "DAYTIME" TEMPERATURE



Default Settings:  TEMP (sun), 23°C / 74°F

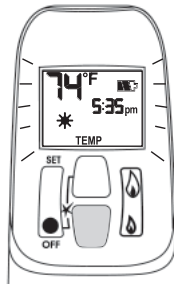
Briefly press SET button to scroll to TEMP  TEMP (sun) mode. Hold the SET button until the TEMP flashes.



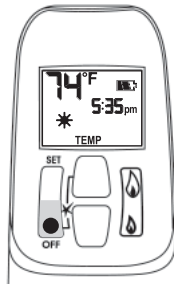
Press  (large flame) button to increase the  Daytime Set Temperature.



Press  (small flame) button to decrease  Daytime Set Temperature.




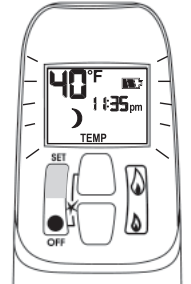
Press OFF or simply wait to complete programming.





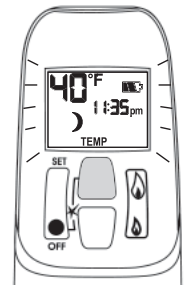
SETTING THE "NIGHTTIME SETBACK" TEMPERATURE



Default Settings:  TEMP (moon), "--" (OFF)

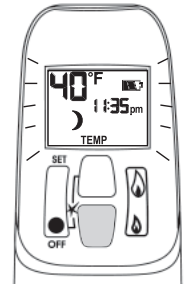
Briefly press SET button to scroll to TEMP  TEMP (moon) mode. Hold the SET button until the TEMP flashes.



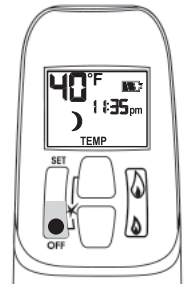
Press  (large flame) button to increase  Nighttime Setback Temperature.



Press  (small flame) button to decrease  Nighttime Setback Temperature.



Press OFF or simply wait to complete programming.



Tip

Set the different parameters when they are flashing.

Using the Remote Control

SETTING PROGRAM TIMERS

You can program two periods of time between 12:00 am and 11:50 pm in each 24-hour cycle.

The Programs P1 and P2 must be set in the following order during a 24-hour cycle: **P1** ☀, **P1** 🌙, **P2** ☀ and **P2** 🌙.

The icon ☀ indicates the beginning of the period (ON) and the icon 🌙 indicates the end of the period (OFF).

If **P1** ☀ = **P1** 🌙 or **P2** ☀ = **P2** 🌙, the programming is cancelled.

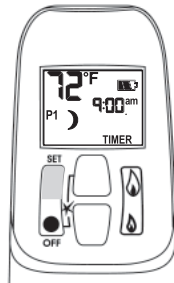
To keep the fireplace ON all night, set **P2** 🌙 at 11:50 am and **P1** ☀ at 12:00 am.

Default settings:

Program 1: **P1** ☀ 6:00 am **P1** 🌙 8:00 am

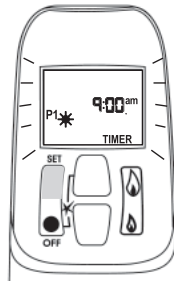
Program 2: **P2** ☀ 11:50 pm **P2** 🌙 11:50 pm

Briefly press SET button to scroll to TIMER mode.

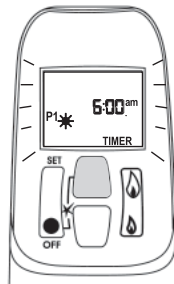


SETTING P1 ON TIME

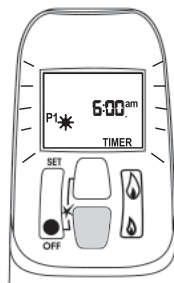
Hold the SET button until **P1** ☀ (sun) is displayed and the time flashes.



Press 🔥 (large flame) button to set the hour.

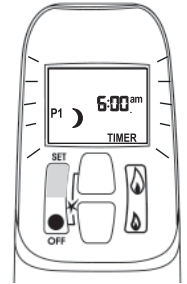


Press 🔥 (small flame) button to set the minutes.

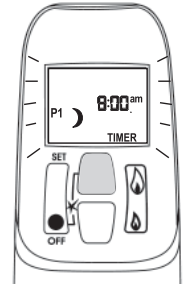


SETTING P1 OFF TIME

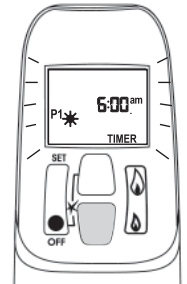
Briefly press SET button to scroll to TIMER **P1** 🌙 (moon) while the time flashes.



Press 🔥 (large flame) button to set the hour.



Press 🔥 (small flame) button to set the minutes.



SETTING P2 ON TIME

Briefly press SET to scroll to TIMER mode **P2** ☀ (sun) while the time flashes.

Follow the instructions given to set P1 ON time.

SETTING P2 OFF TIME

Briefly press SET to scroll to TIMER mode **P2** 🌙 (moon) while the time flashes.

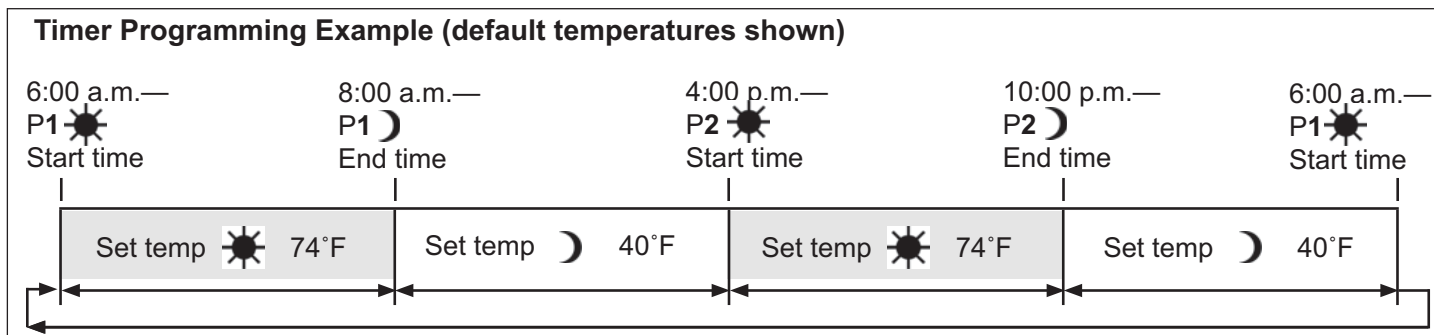
Follow the instructions given to set P1 OFF time.

Press OFF button to save these settings. The timers are programmed. See the diagram on programming sequences on the following page.

Tip

If you want to program only one period, program **P1** ☀ and **P1** 🌙 with desired times and program **P2** ☀ and **P2** 🌙 with the same time as **P1** 🌙.

Using the Remote Control



AUTOMATIC TURN DOWN

6 Hour no Motor Movement

Manual Mode/Temperature/Timer Mode: The valve will turn to pilot flame if there is no change in flame height for a 6 hour period. In Temperature/Timer Mode if the ambient room temperature changes, the flame height will adjust automatically to maintain set temperature, and the fire will continue to function normally. The valve will turn to pilot flame if the set temperature and the ambient room temperature remain the same over a 6 hour period.

AUTOMATIC SHUT OFF


Low batteries receiver. With low battery power in the receiver/battery holder the system shuts off the fire completely. This does not apply when the power supply is interrupted.

On-Demand Pilot. This green feature eliminates gas energy consumption during extended appliance inactivity. When the appliance is inactive for 5 days the system automatically extinguishes the pilot. This feature helps the consumer realize cost benefits by automatically eliminating energy consumption during non-heating months and limited use.

LOW BATTERY INDICATION

CAUTION

DO NOT USE a screwdriver or other metallic object to remove the batteries from the battery box or the handset! This could cause a short circuit.

Remote handset: The battery icon  will show when the battery needs to be replaced. Replace with one 9 V **alkaline** battery.

Remote battery holder: Frequent 'beeps' for 3 seconds when the valve motor turns indicate the batteries need to be replaced. Replace with four 1.5 V **alkaline** batteries.

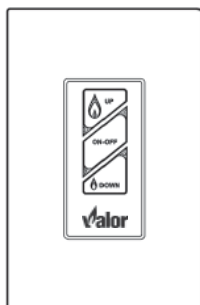
HANDSET / RECEIVER MATCH

The remote control handset and receiver are programmed to function together. In case of a replacement of the handset or the receiver, you will need to reset the receiver to allow them to function together. Contact your dealer for details.


Using the Wall Switch

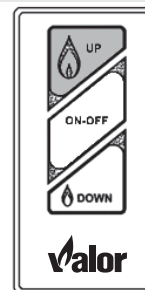
The Wall Switch can be used to control your fireplace. You can turn the pilot on or off and you can increase or decrease the flame height.


Note that the thermostat and programming functions are not available with the wall switch.

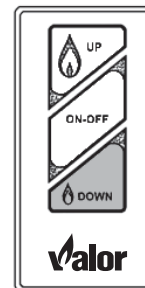


TO ADJUST FLAME HEIGHT

Press and hold large flame  button to gradually increase flame height.

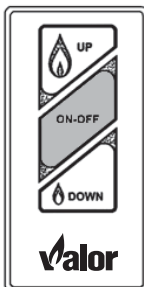


Press and hold small flame  button to gradually decrease flame height.



TO TURN APPLIANCE ON and OFF

Press ON-OFF button once to light pilot. Press again to shut of pilot.



Kits & Accessories

Required Kits

Information accurate at the time of printing and subject to change without notice.

Fuel Beds (choose one)	
1705DWK	Driftwood Set Kit
1700DGM	Decorative Glass Murano
1714RSS	Rock & Shale Set
1700SWK	Split Wood Kit
Liners (choose one)	
1715FBL	Linear Fluted Black Liner Set
1725RGL**	Linear Reflective Glass Liner Set (**Add 1725RGL-3 Glass Retainer Kit)
1735LML	Limestone Liners
Trims (choose one)	
1750	Linear 5-1/4" Surround
1750LSB	Black
1750LSZ	Bronze
1750LSP	Nickel
1775LFB	Linear 1" Finishing Trim Black
	Barrier Screen
	4004221
	4005562

Optional Accessories

Information accurate at the time of printing and subject to change without notice.

Conversion Kits	
1700NGK	Conversion to natural gas
1700PGK	Conversion to propane gas
Other Accessories	
GV60CKO	Outdoor Fireplace Conversion Kit
1506DRK	Additional rocks for Driftwood Kit
1565LLK	Linear Lighting Kit
1595CFK	Circulating Fan Kit
1270RBK	Remote Blower Kit
LDK	HeatShift Duct Kits (gravity flow)
Hearth Gate	Hearth gates such as Cardinal's VersaGates are available at retail stores carrying safety products for children.

Lighting Instructions

FOR YOUR SAFETY, READ BEFORE LIGHTING

WARNING: If you do not follow these instructions exactly, a fire or explosion may result causing property damage, personal injury or loss of life.

- This appliance has a pilot which must be lighted by hand, remote control, or wall switch. Follow these instructions exactly. To save gas, turn the pilot off when not using the appliance for a prolonged period of time.
- BEFORE LIGHTING**, smell all around the appliance area for gas. Be sure to smell next to the floor because some gases are heavier than air and will settle on the floor.
WHAT TO DO IF YOU SMELL GAS
 - Do not try to light any appliance.
 - Do not touch any electric switch; do not use any phone in your building.
 - Immediately call your gas supplier from a neighbor's phone. Follow the gas supplier's instructions.
 - If you cannot reach your gas supplier, call the fire department.
- Use only your hand to push in or turn the control knobs. Never use tools. If the knobs will not push in or turn by hand, don't try to repair them; call a qualified service technician. Force or attempted repair may result in a fire or explosion.
- Do not use this appliance if any part has been under water. Immediately call a qualified service technician to inspect the appliance and to replace any part of the control system and any gas control, which has been under water.

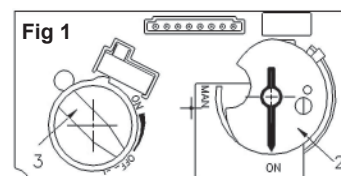
LIGHTING INSTRUCTIONS

- STOP!** Read the safety information above.
- TO CLEAR ANY GAS, turn main valve off by pressing OFF (red dot) button on remote handset (1).**

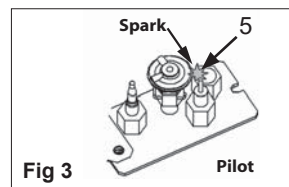


- Wait five (5) minutes to clear out any gas, then smell for gas, including near the floor. **If you smell gas, STOP!** Follow "B" in the safety information above on this label. If you don't smell gas, go to the next step.

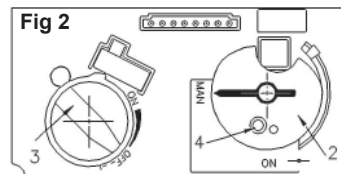
- AUTOMATIC IGNITION:** MAN-knob (2) in ON position. Ensure Flame Adjustment knob (3) is set to lowest setting (∩) (Fig. 1). Locate the pilot (Fig. 3.) inside of firebox at left hand side.



- On the remote control handset, press the OFF button (red dot) and large flame button (🔥) simultaneously; a short acoustic signal confirms the start has begun.
- Further short acoustic signals indicate the ignition process is in progress.
- When the pilot is lit, the Flame Adjustment knob (3) will automatically rotate to the highest setting.
- Press the small flame button (🔥) on the remote control handset to reduce the flame height.



- MANUAL IGNITION:** MAN-knob (2) in MAN position (Fig. 2). With the window off, locate the pilot (Fig. 3) inside of firebox at left hand side.



- Set Flame Adjustment knob (3) to the lowest setting (∩).
- Push down the metallic core (4) with a pen or similar instrument; this will establish the pilot gas flow.
- Light gas at the pilot (5) with a match.
- Continue holding down metal core (4) for about 10 seconds; after release, pilot should remain lit.
 - If the pilot will not stay lit after several tries, turn the gas control knob (3) to OFF (∩) and call your local service technician or gas supplier.
- Reinstall the window and set the MAN-knob (2) to ON; turn Flame Adjustment knob (3) up (∪) or down (∩) manually or use the flame buttons (🔥)(🔥) on the remote control handset to adjust the flame height.

TO TURN OFF GAS TO APPLIANCE

AUTOMATIC SHUT-OFF (using the remote control handset):

- Press and hold the small flame button (🔥) on the remote control handset to shut-off the main burner gas flow.
- Press OFF button (red dot) on remote handset to shut-off the appliance, including pilot flame.

Maintaining Your Fireplace

Servicing Your Fireplace

We recommend having your fireplace serviced every year. Contact your supplier quoting the model number. It will be helpful if the appliance's serial number can also be quoted. These numbers are on the information card. The replacement parts are shown at the end of this manual. Please always quote the part number and description when requesting spare parts.

Annual Inspection

In order to maintain the safe operation of your fireplace, contact your dealer to have a qualified technician go over the list below and make the necessary verifications at least once every year.

Safe Operation List

To be performed by a qualified technician only

1. Inspect and operate the pressure relief mechanism to verify relief mechanisms are free from obstruction to operate. See *Cleaning Your Fireplace: To refit the window* section of this manual.
2. Clean glass window with a suitable fireplace glass cleaner. Abrasive cleaners must not be used. Be careful not to scratch the glass when cleaning. See *Cleaning Your Fireplace* section of this manual.
3. Inspect the operation of the flame safety system Pilot or Flame rectification device.
4. Inspect and ensure the lighting of the main burner occurs within 4 seconds of the main gas valve opening. Visual inspection should match that outlined in the appliance instruction manual. Inspect primary air openings for blockage. See *Checking Pilot and Burner Flame* section of this manual.
5. Inspect condition of vent and vent terminal for sooting or obstruction and correct if present.
6. Vacuum and clean any debris in the firebox that is not supposed to be there.
7. Test and measure the flame failure response time of the flame safety system. It must de-energize the safety shutoff in no more than 30 seconds.
8. Check all accessible gas-carrying tubes, connections, pipes and other components for leaks. See *Set up Gas Supply* section of this manual.

Maintaining Your Fireplace

Cleaning Your Fireplace

⚠ WARNING

DO NOT TOUCH THE GLASS WHILE IT IS HOT!
Let the fireplace cool first before cleaning it.

Important - Glass cleaning - Mineral deposits

One of the by-products of the combustion process in a gas appliance is a mineral which can show up as a white film on the ceramic glass of the viewing door.

The composition of the deposit varies with location and time. It is believed to be associated with the varying sulfur content of the gas. You may have the problem intermittently.

We have consulted with ceramic glass manufacturers and they cannot offer a definitive solution to this problem. Dealers have tried various cleaning products with varying results. The following are recommendations only and are not meant to guarantee results.

NOTE: This is a problem beyond Miles Industries' control and is not covered under warranty.

- Clean the glass regularly as soon as you notice the buildup (white film). If the film is left for a longer period of time, it will etch into the glass. It is then much harder, if not impossible, to remove.
- **NEVER use an abrasive cleaner or ammonia-based cleaner on the ceramic glass.** Any abrasion of the surface has the immediate effect of compromising the strength of the glass. An emulsion type cleaner is recommended.
- Use a soft damp cloth to apply the cleaner. Dry the glass with a soft, dry, preferably cotton cloth. Most paper towels and synthetic materials are abrasive to ceramic glass and should be avoided.
- Our dealers have had good results from the products listed below. We cannot, however, guarantee the results of these products.
 - ◊ Brasso, Polish Plus by Kelkem, Cook Top Clean Creme by Elco, White Off by Rutland, Turtle Wax

Do not clean the glass while it is hot!

Always securely replace the window and the barrier screen before lighting.

If broken, the glass pane may only be replaced as a complete window unit as supplied by the manufacturer.

If the barrier becomes damaged, the barrier shall be replaced with the manufacturer's barrier for this appliance.

Clean the window panes following the guidelines in this section.

Clean the steel trim with mild soap and warm water. Any alcohol/solvent base cleaner will weaken the coating and damage it.

Clean the barrier screen dusting it with a soft brush.

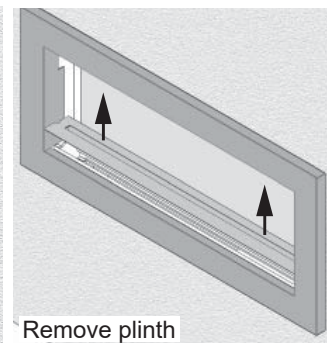
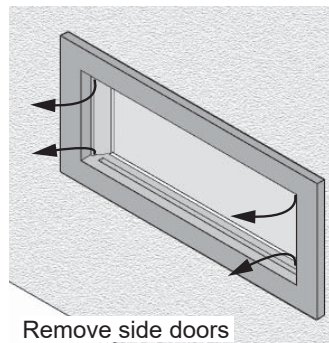
Clean the firebox ceramic logs/rocks and walls dusting them with a soft brush. Dust can also be removed from the burner using a soft brush after removing the fuel bed. **When cleaning, make sure that no particles are brushed into the slots of the burner.**

⚠ WARNING

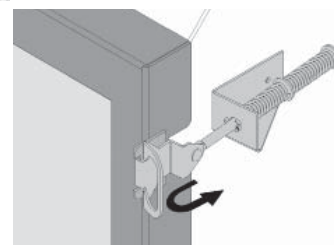
CHOKING HAZARD! Ensure that the fireplace area is clear of firebed particles as these could be ingested by small children. Vacuum thoroughly around the fireplace area after cleaning.

To remove the window for cleaning:

1. Remove the barrier screen.
2. Remove the side doors and the plinth.



3. Find the levers on each side of the window towards the top. Using your finger, pull the levers towards you and unhook them from the window frame brackets.

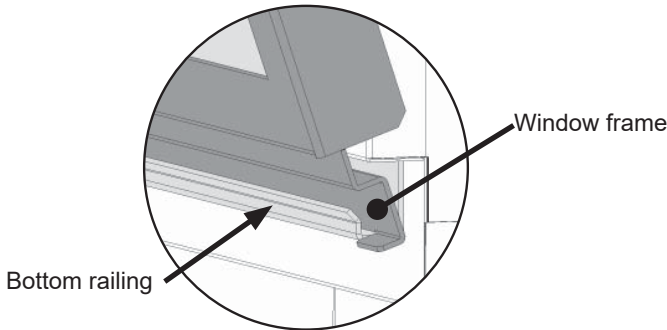


4. Gently pull the top of the window outward.
5. Lift the window out of its bottom railing and set it aside in a safe place to avoid damage.

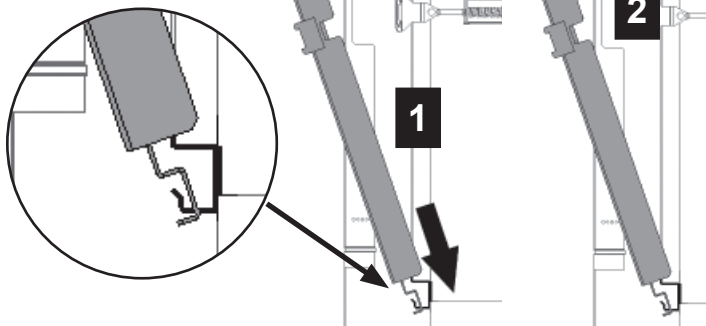
Maintaining Your Fireplace

To refit the window:

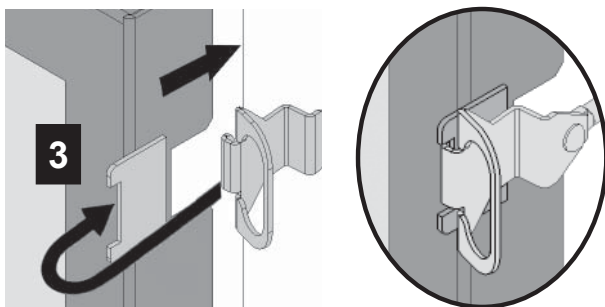
1. Place the window in its bottom railing. **Ensure to remove any vermiculite or glass particles in the railing before installing the window.**



2. Push the top of the window frame against the firebox.



3. While you hold it, pull the side levers back into the window brackets on each side.



4. Apply firm hand pressure around the window frame to ensure the window is sealed tight against the firebox.

! DANGER

The window unit must be correctly installed, fastened and sealed after servicing or serious bodily injury and/or damage to the appliance may result.

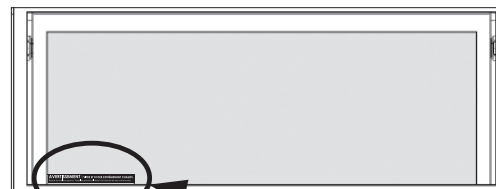
To ensure a safe operation:

- Double-check that the bottom of the window frame is correctly installed in the bottom support railing;
- Verify that the levers are hooked properly to the window tabs then;
- Pull out the top of the window and release it to insure the springs return it;
- Ensure the window is sealed before operation.

! WARNING

Failure to install the window correctly can leak carbon monoxide, affect the performance of the fireplace, damage components, cause overheating resulting in dangerous conditions. Damage caused by incorrect window installation is not covered by the Valor warranty.

5. If the Hot Glass Warning plate has been removed from the front lower corner of the window, reinstall it by sliding it between the glass and the frame as indicated.



! WARNING: EXTREMELY HOT GLASS AND FIREPLACE
Risk of severe burns. Keep Children away from fireplace & controls.

Hot Glass Warning Plate



6. Reinstall the plinth and side doors.
7. Reinstall the barrier screen on the trim.

! WARNING

FOR SAFETY PURPOSE, ensure the barrier screen is re-installed on the fireplace after maintenance.

8. Verify that the screen is properly hooked to the trim and secure.

Maintaining Your Fireplace

Checking Pilot and Burner Flames

A periodic check of the pilot and burner flames should be made. Check after the fire has been on for at least 30 minutes. The pilot flame must cover the tip of the thermocouple probe. The main burner flame pattern will vary from appliance to appliance depending on the type of installation and climatic conditions.

The appliance area must always be kept clear and free from combustible materials, gasoline and other flammable vapors and liquids.

Inspect the vent terminal outdoors regularly to make sure that snow, trees, bushes, leaves, or other objects do not obstruct it.

Examine the vent system and terminal regularly. We recommend annually.

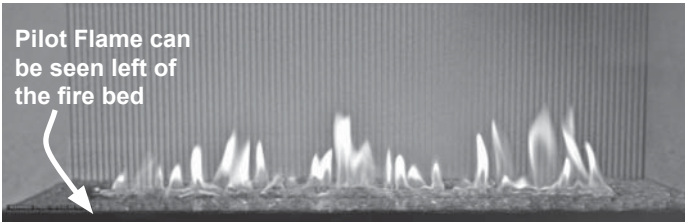
Correct Flame Appearance

Pilot Flame can be seen between the front and rear left logs



1705DWK—Driftwood

Pilot Flame can be seen left of the fire bed



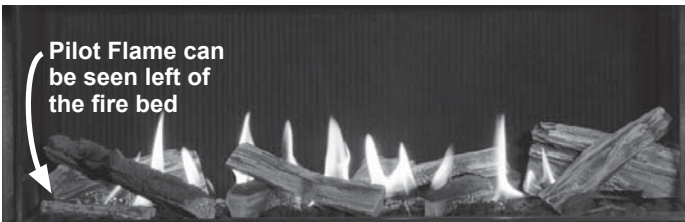
1700DGM—Decorative Glass Murano

Pilot Flame can be seen left of the fire bed

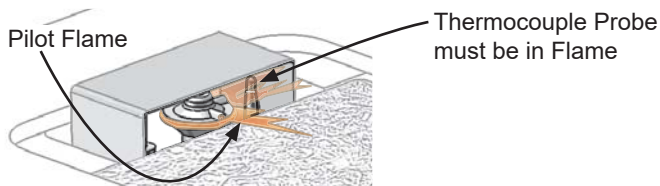


1714RSS—Rock & Shale

Pilot Flame can be seen left of the fire bed



1700SWK—Split Wood



Maintaining Your Fireplace

Replacing Batteries

⚠ WARNING

DO NOT ATTEMPT TO CHANGE THE BATTERIES WHILE THE FIREPLACE IS STILL HOT! Let the fireplace cool first before touching it.

CAUTION

DO NOT USE a screwdriver or other metallic object to remove the batteries from the battery holder or the handset! This could cause a short circuit.

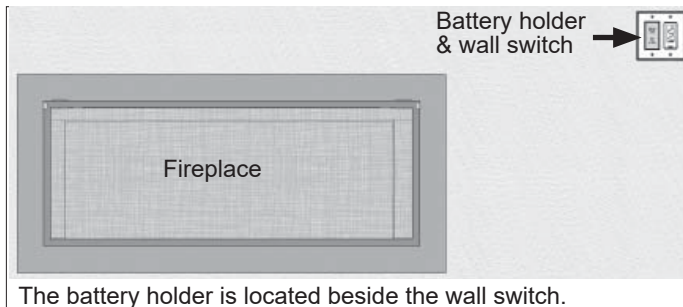
Low batteries signal: see page 12.

BEFORE changing the batteries, turn the fireplace off (including pilot).

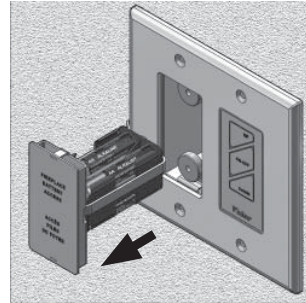
The appliance uses four 1.5 V AA **alkaline** batteries located next to the wall switch and one 9 V **alkaline** battery in its handset. Batteries should last one to two seasons, depending on usage. Removing the batteries in the off-season will extend the battery life.

To replace the batteries:

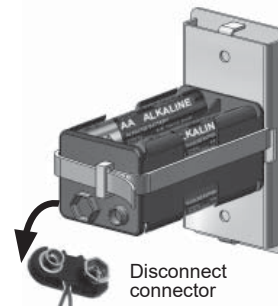
The battery compartment is located next to the wall switch in the vicinity of the fireplace. Its front plate is attached with magnets to the wall switch box.



1. Pull on the plate next to the wall switch to access the batteries.



2. Disconnect the snap connector from the battery holder. **Do not pull the connector by the wire!**



3. Replace the batteries with 4 AA **alkaline** batteries orienting them as indicated inside the holder.
4. Reconnect the snap connector to the battery holder.
5. Put the battery holder back in its place beside the wall switch and snap it in place.

Using Handset Wall Holder

Your fireplace equipment includes a wall holder to store the handset. If it hasn't be installed, refer to the instructions further on in this manual for the installation.



Specifications

Approval & Codes

This appliance is certified to ANSI Z21.88-2016/CSA 2.33-2016 American National Standard / CSA Standard for *Vented Gas Fireplace Heaters* for use in Canada and USA, and to CGA 2.17-91 *High Altitude Standard in Canada*. This appliance is for direct vent installations.

This appliance complies with CSA P.4.1-15 *Testing method for measuring annual fireplace efficiencies*.

The installation must conform to local codes or, in the absence of local codes, with the *National Fuel Gas Code, ANSI Z223.1/NFPA 54* or the *Natural Gas and Propane Installation Code CAN/CGA-B149.1*. Only qualified licensed or trained personnel should install this appliance.

This appliance must be electrically grounded in accordance with local codes, or, in the absence of local codes, with the *National Electrical Code, ANSI/NFPA 70* or the *Canadian Electrical Code, CSA C22.1*.

Ratings

Model	JN	JP
Gas	Natural	Propane
Altitude (Ft.)*	0-4,500 feet*	
Input Maximum (Btu/h)	36,000	34,000
Input Minimum (Btu/h)	19,000	21,000
Manifold Pressure (in w.c.)	4"	10"
Minimum Supply Pressure (in w.c.)	5"	11"
Maximum Supply Pressure (in w.c.)	10"	14"
Main Burner Injector Marking	1000	DMS#50
Pilot Injector Marking	51	30
Min. Rate By-Pass Screw	220	160

*High Altitude Installations

Input ratings are shown in BTU per hour and are certified without deration for elevations up to 4,500 feet (1,370 m) above sea level.

For elevations above 4,500 feet (1,370 m) in USA, installations must be in accordance with the current ANSI Z223.1 and/or local codes having jurisdiction. Heating value of gas in some areas is reduced to compensate for elevation—consult your local gas utility to confirm.

For installations at elevations above 4,500 feet (1,370 m) in Canada, please consult provincial and/or local authorities having jurisdiction.

Supply Gas

Heater engine 1700JN is used with natural gas.
Heater engine 1700JP is used with propane gas.

The supply pressure must be between the limits shown in the *Ratings* section above.

The supply connection is 3/8" NPT male and located on the left hand side of the firebox.

A shut-off valve (not supplied) is required on the supply line to isolate the unit during service. See *Supply Gas Installation* section for details.



Conversion Kits

The 1700 L2 is supplied as natural gas or propane gas and is field convertible between fuels. See instructions packaged with the conversion kit for further information.

Electrical

The 1700 is designed to run on battery power and does not require an electrical power source to operate as a heater. However, it requires electrical power to operate optional 1565LLK Linear Lighting Kit, 1595CFK Circulating Fan Kit or 1270RBK Remote Blower Kit.

LDK HeatShift Duct Kit

The 1700J is designed to allow the installation of the optional LDK HeatShift Duct Kit, a convection system that redistributes the warm air flow away from the fireplace opening to a more desirable location using natural convection, without use of a fan.

The warm air flow may be relocated to a position higher up the wall, out the sidewalls, or even to another room. The result is much cooler wall temperatures above the fireplace opening for locating televisions, artwork, etc.

Please note that the framing and mantel clearances are affected by the installation of the LDK. Refer to the installation manual packed with the kit for more information.

Outdoor Conversion Kit

The 1700J models are supplied standard for indoor applications and may be adapted for installation in specific "outdoor" applications protected from weather as defined in the GV60CKO outdoor conversion kit manual.

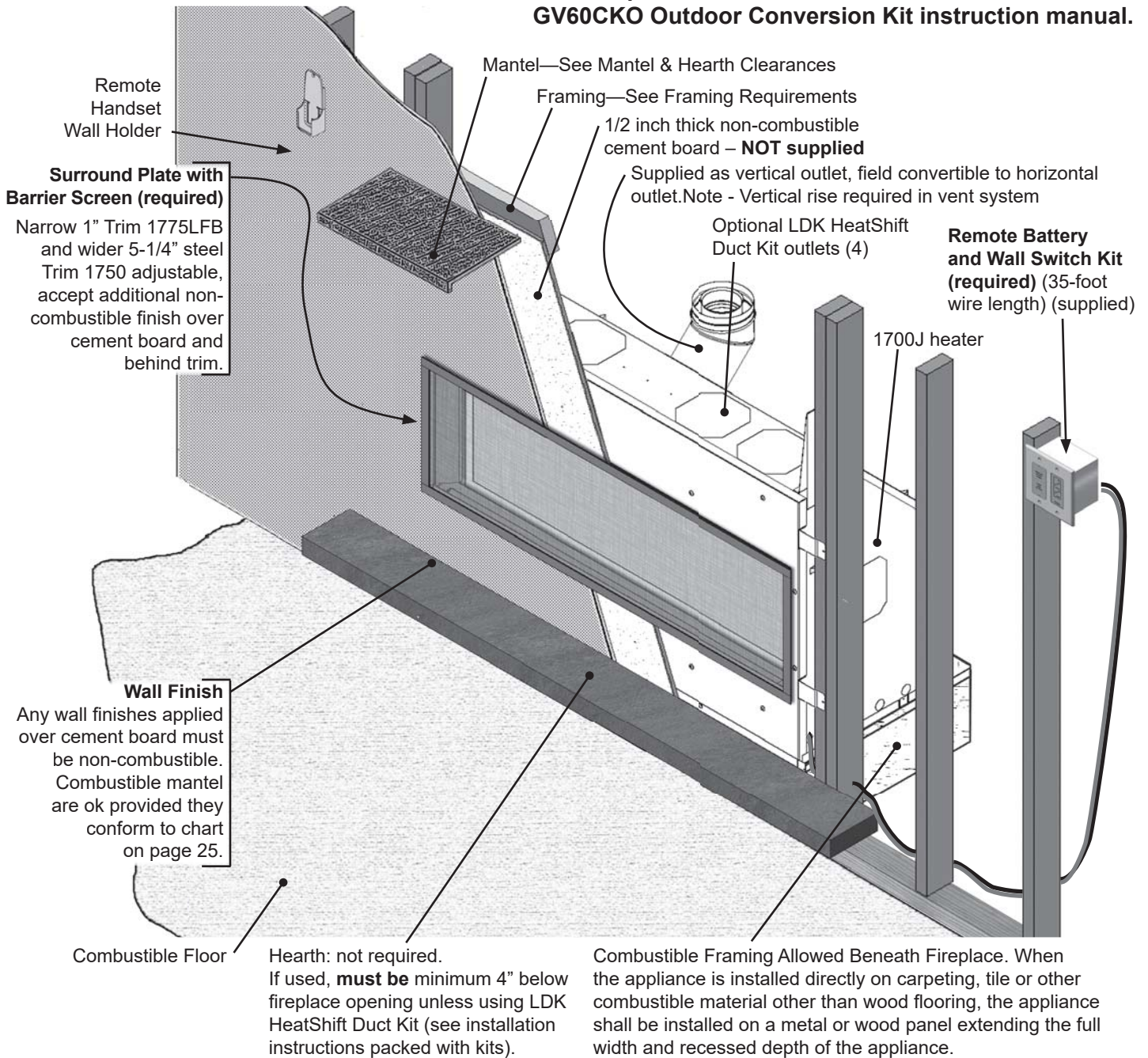
⚠ WARNING

Optional electrical accessories ARE NOT ALLOWED when adapting appliance for outdoor use.

This appliance is designed and approved as a supplemental heater and provides the potential for most energy conservation when used while attended. The use of an alternate primary heat source is advisable.

Overview

Note: This appliance may be installed in outdoor, weather protected environments as defined in the GV60CKO Outdoor Conversion Kit instruction manual.



⚠ WARNING

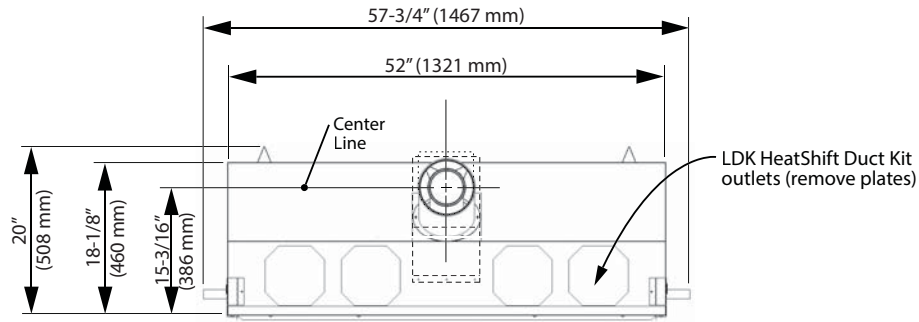
Some materials or items, although safe, may discolor, shrink, warp, crack, peel, and so on because of the heat produced by the fireplace. Avoid placing candles, paintings, photos, and other items sensitive to heat around the fireplace.

⚠ WARNING

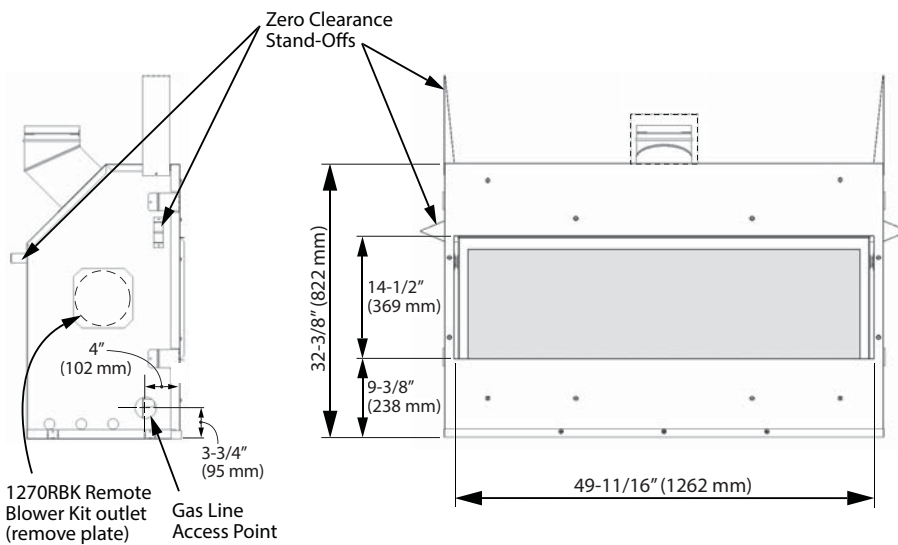
HOT WALL SURFACES! The wall directly above the fireplace is constructed of non-combustible materials and, although safe, it may reach temperatures in excess of 250° F depending on choice of trims. Do not touch. Finish the wall using materials suitable for these temperatures. We recommend installing optional LDK HeatShift Duct Kit when hot walls are a concern.

Dimensions & Location

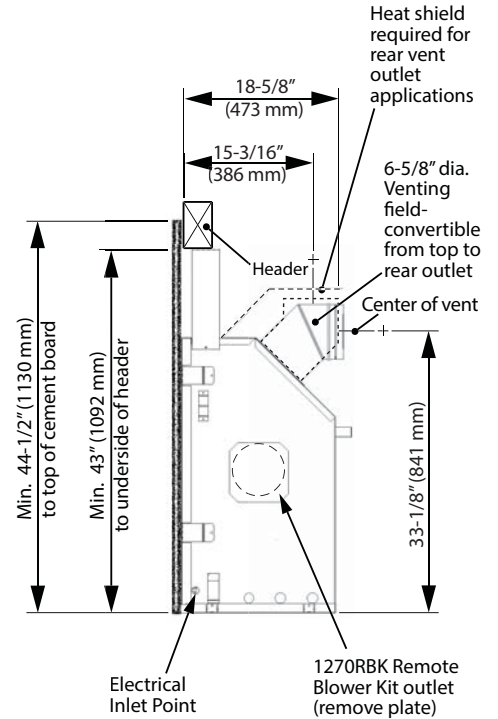
Dimensions



Top View



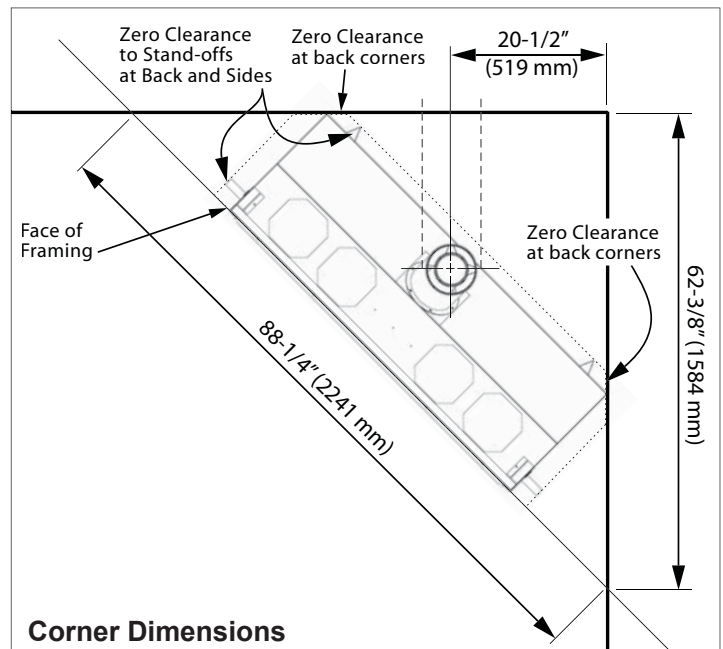
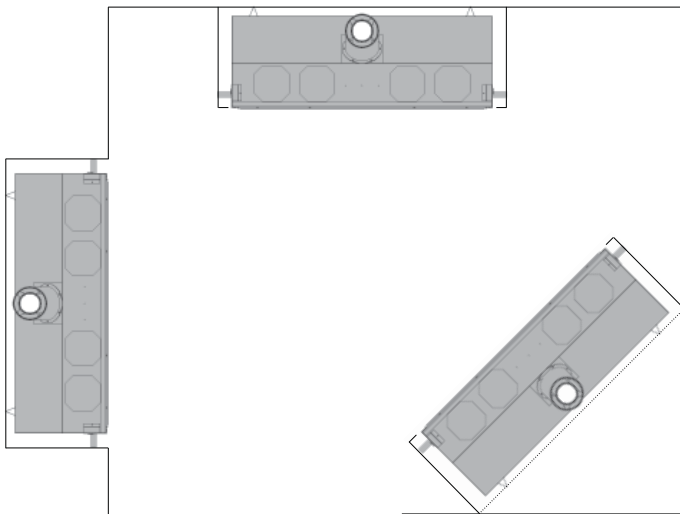
Left Side View



Right Side View

Front View

Location

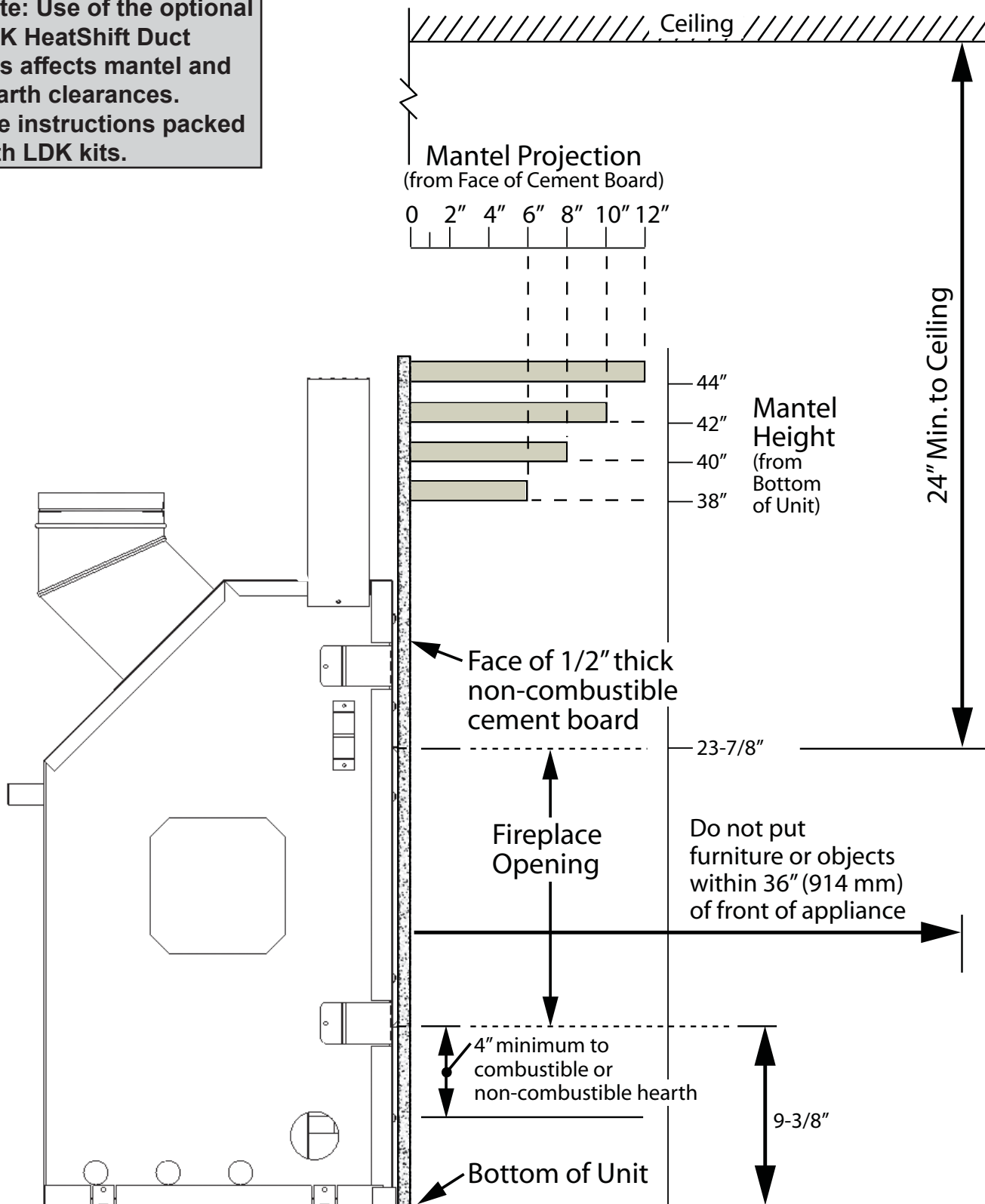


Corner Dimensions

Mantel & Hearth Clearances

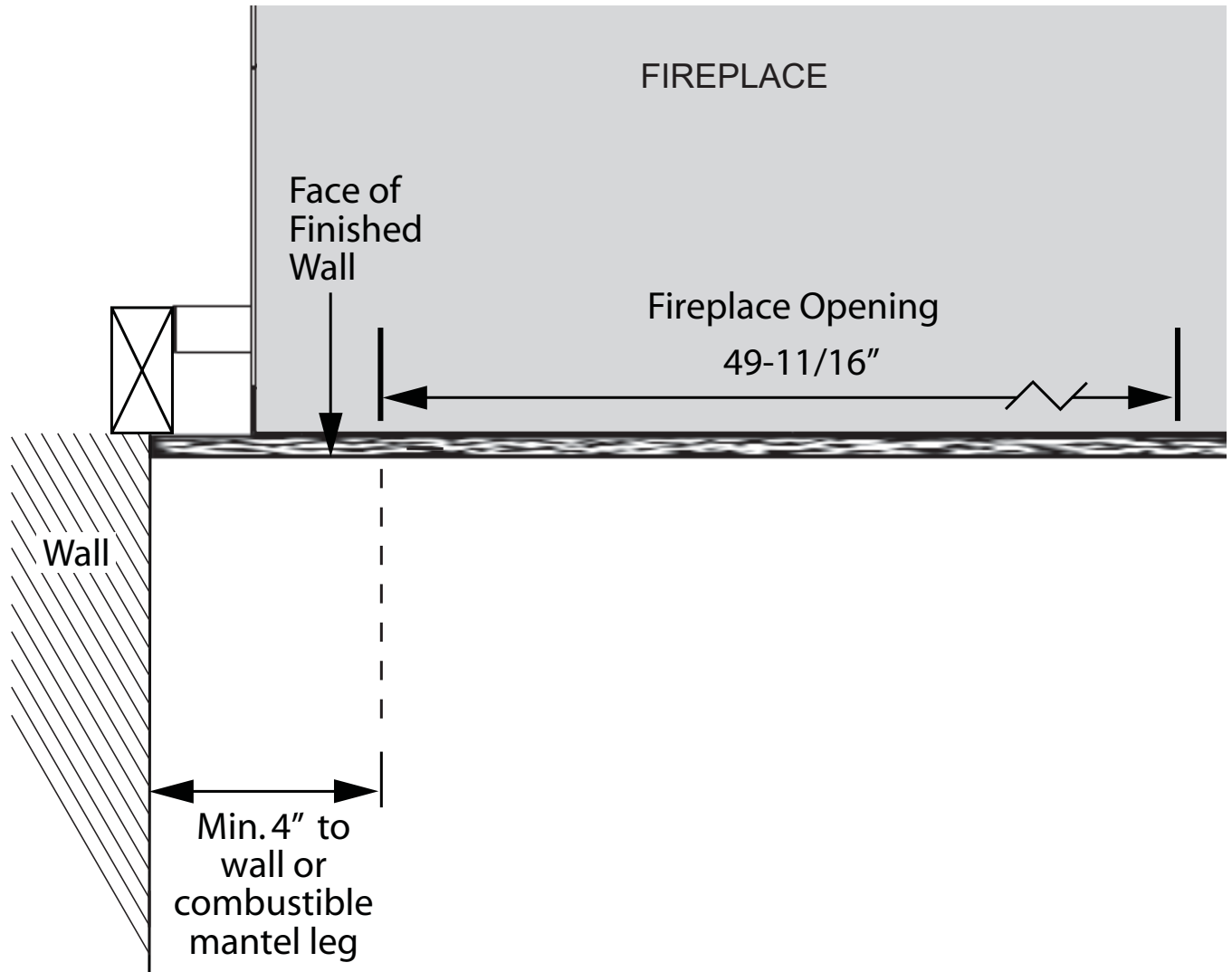
Combustible Mantel—Left Side View

Note: Use of the optional LDK HeatShift Duct Kits affects mantel and hearth clearances. See instructions packed with LDK kits.



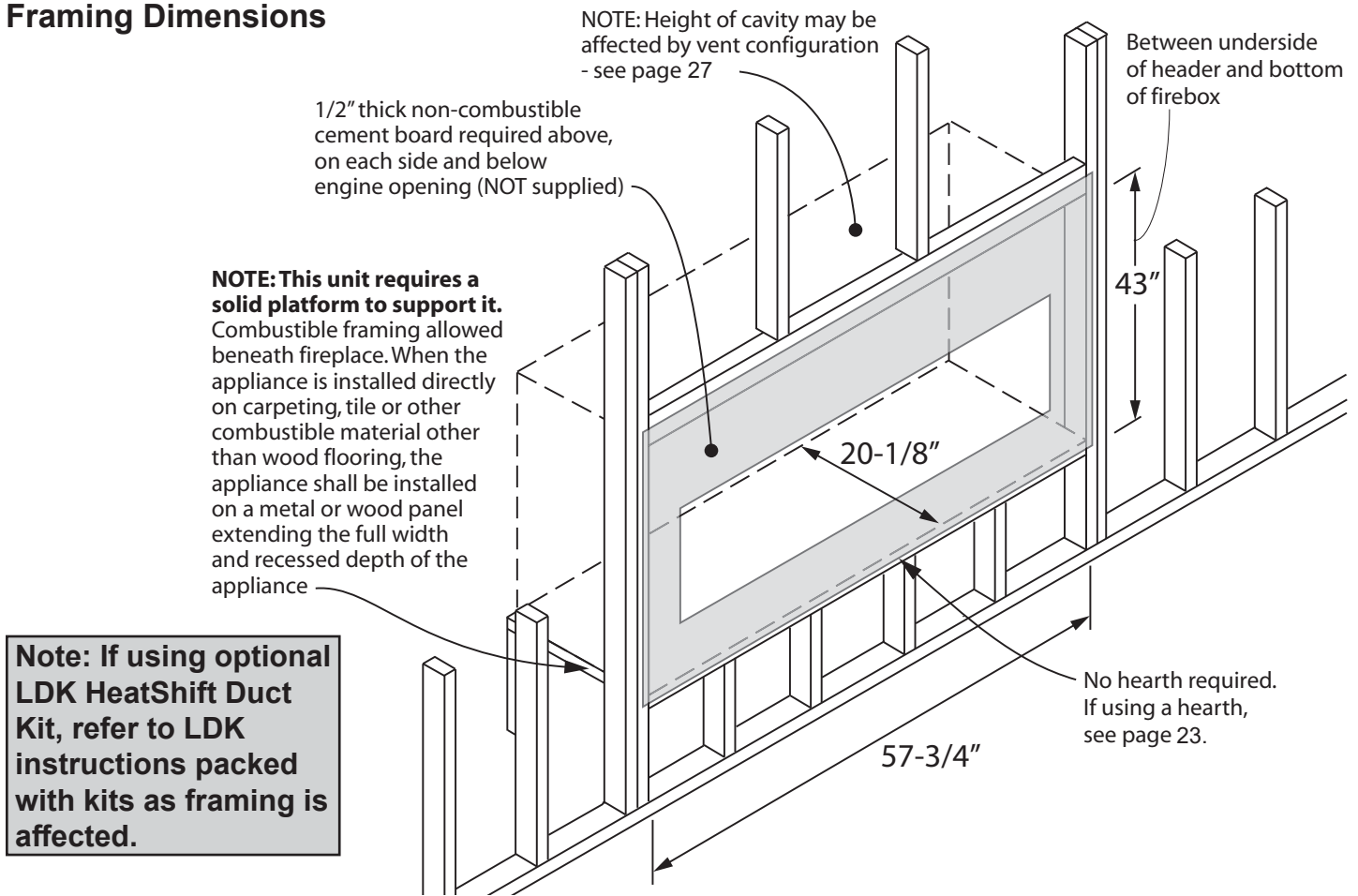
Mantel & Hearth Clearances

Combustible Sidewall / Mantel Leg—Top View



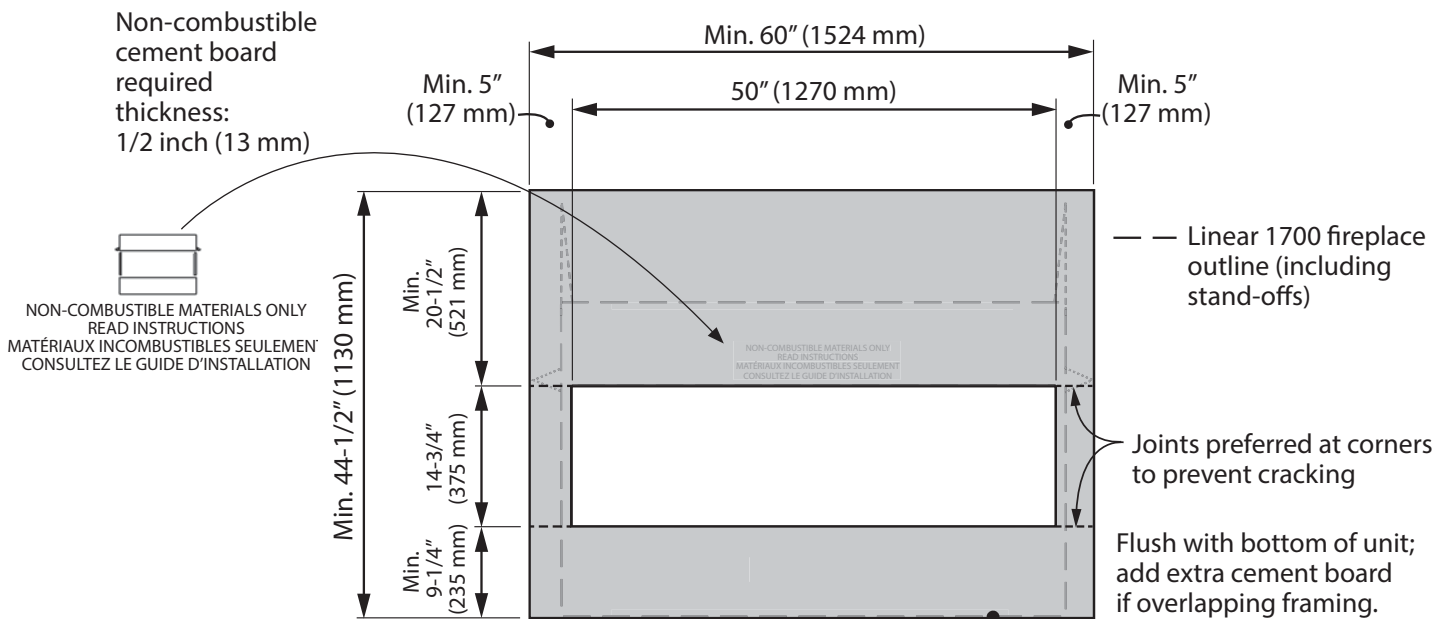
Framing Requirements

Framing Dimensions



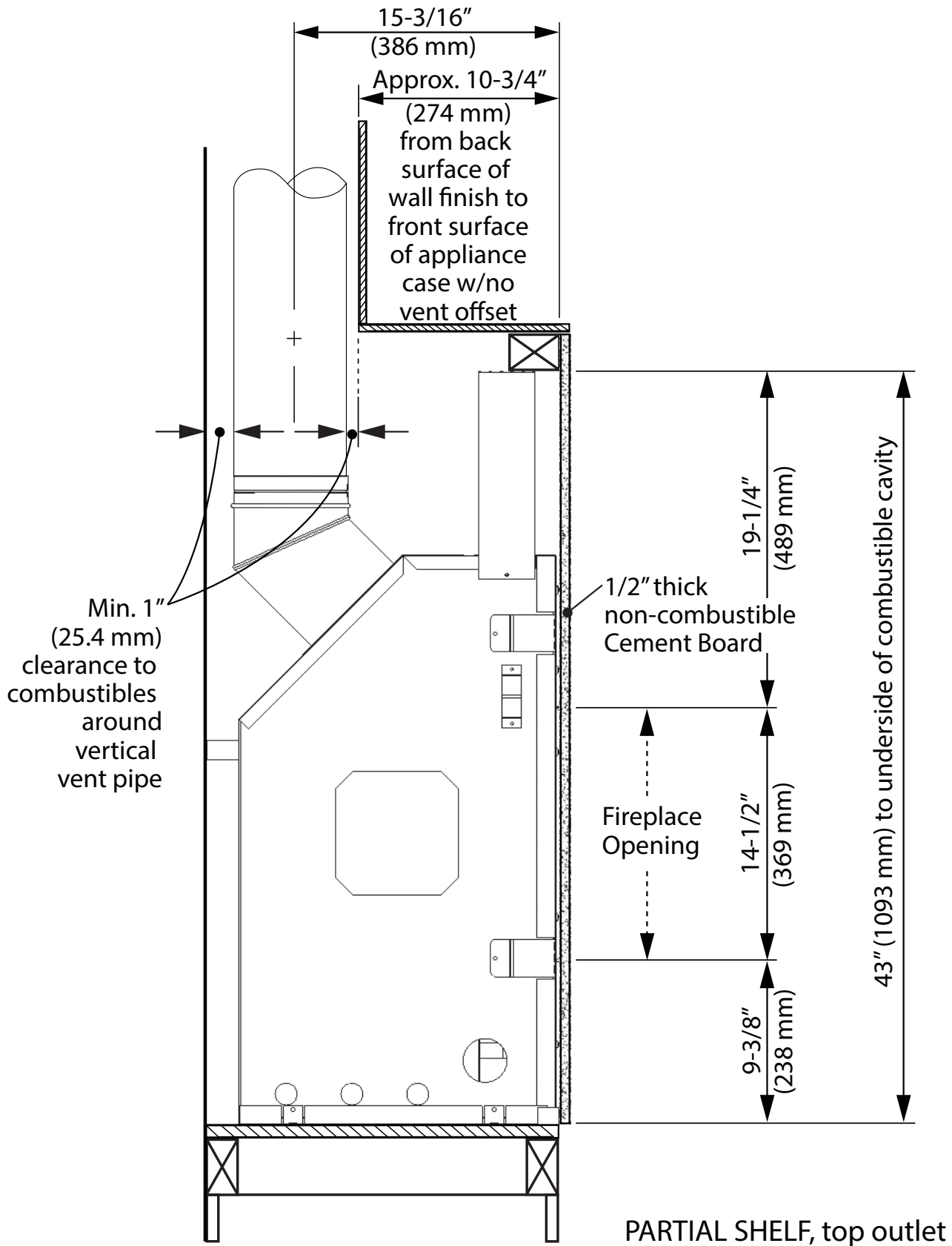
Minimum Cement Board Dimensions

Minimum coverage area of non-combustible cement board.
Any **wall** finish applied to shaded area must be non-combustible.



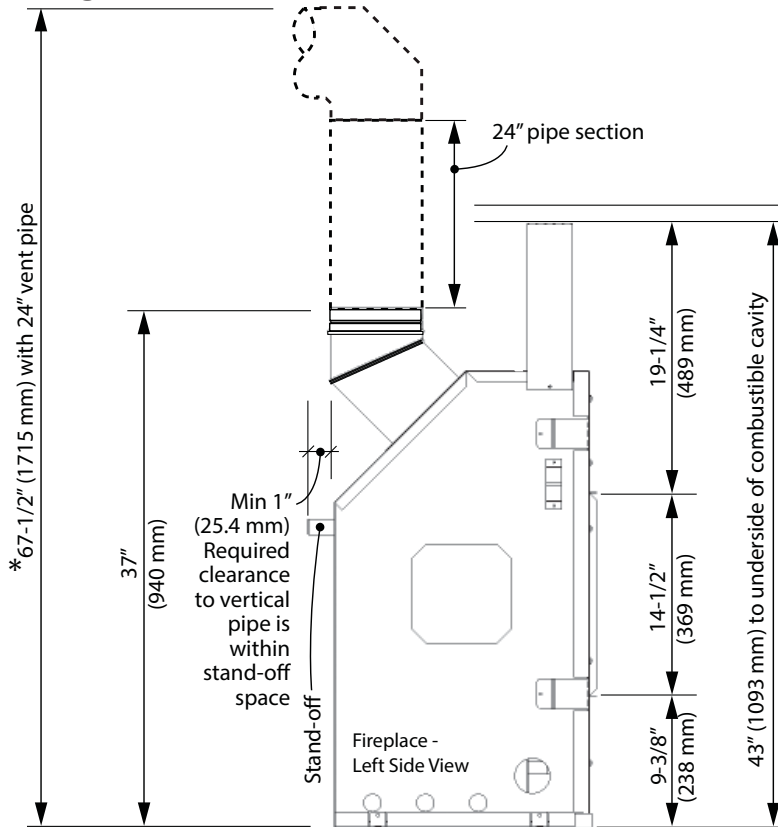
Framing Requirements

Framing with Partial Shelf—Top Outlet



Framing Requirements

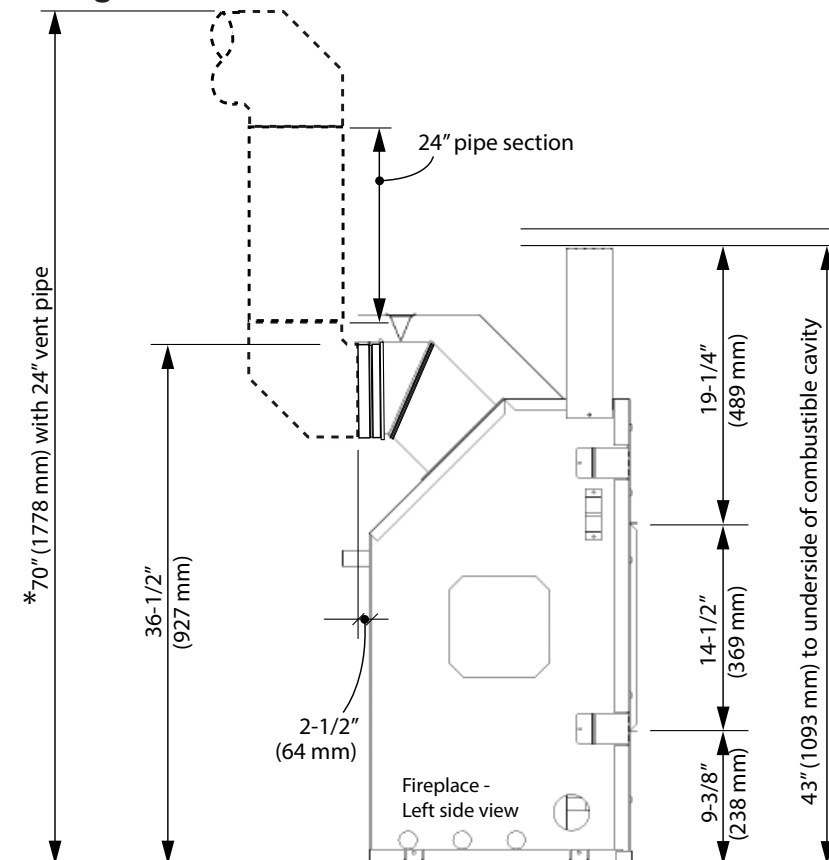
Venting Considerations—Vertical Takeoff



*Notes—ALL venting considerations

- Dimensions of venting are based on using Dura-Vent elbows. Elbow curve radius dimensions will vary when using other brands. In general, other brands have slightly bigger radius.
- Minimum 24 inches vertical pipe section required right at unit. Refer to venting chart on page 30 for allowable horizontal runs.
- 3 inches clearance to combustibles required above horizontal pipe. Slope horizontal pipe upwards 1/4 inch per foot. 1 inch clearance required around sides and bottom of horizontal pipe and around vertical pipe.
- When calculating effective pipe lengths subtract approximately 1-1/2 inch for pipe joint - for example, a 12 inches pipe section will add approximately 10-1/2 inches overall.

Venting Considerations—Horizontal Takeoff



Top or Rear Outlet

This unit is supplied with a top vent outlet which can be field-converted to a rear vent outlet. See *Installation* section for more information.

Vent Material

This unit is approved for installation using 4 x 6-5/8 inches co-axial direct vent pipe and accessories as listed in the *Approved Venting Components* section on pages 59–60 of this manual. Follow the installation instructions supplied with the individual venting accessories.

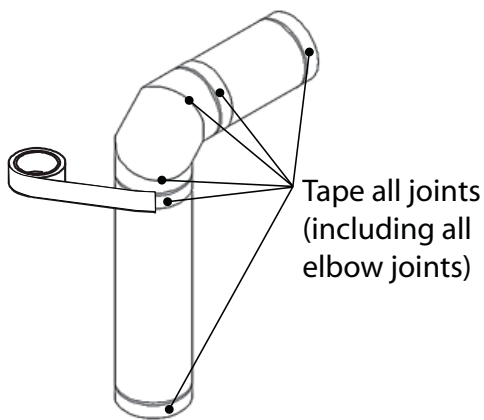
This unit may also be converted to co-linear (1 x 3 in by 1 x 4 in) venting for use in solid-fuel burning fireplaces and chimneys using adapters and accessories—see list in the *Approved Venting Components* section on pages 59–60 of this manual.

Vent Sealing

Seal all outer coaxial pipe and elbow joints, including sectioned elbow joints, using high quality, high temperature 2 inch wide self-adhesive aluminum foil tape (Nashua-322-2 brand or similar). Wrap the tape completely around all joints and press firmly to seal.

A high temperature black silicone sealant may be used in the outer joints as a substitute to foil tape.

Ensure all the pipe joints have a minimum of 1 ¼ inch overlap.

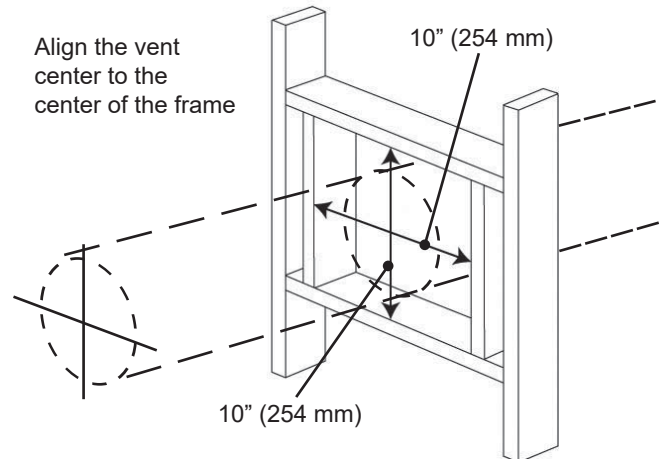


Wall Thickness

The appliance vent is suitable for penetrating a combustible wall assembly up to 8 inches in thickness. A non-combustible wall can be of any thickness up to the maximum horizontal run of vent pipe allowed for the particular installation.

Framing Vent in Combustible Walls & Ceilings

When penetrating through combustible walls and ceilings, frame a minimum of 10 in x 10 in opening and ensure that the insulation is kept clear of the vent pipe using either a wall thimble or an attic insulation shield. Follow the installation instructions supplied with the individual venting components.



Important Installer Notice – Weather Sealing & Vapor Barriers

It is the installer's responsibility to ensure that vent installations through exterior walls are caulked and weatherproofed in such a manner as to:

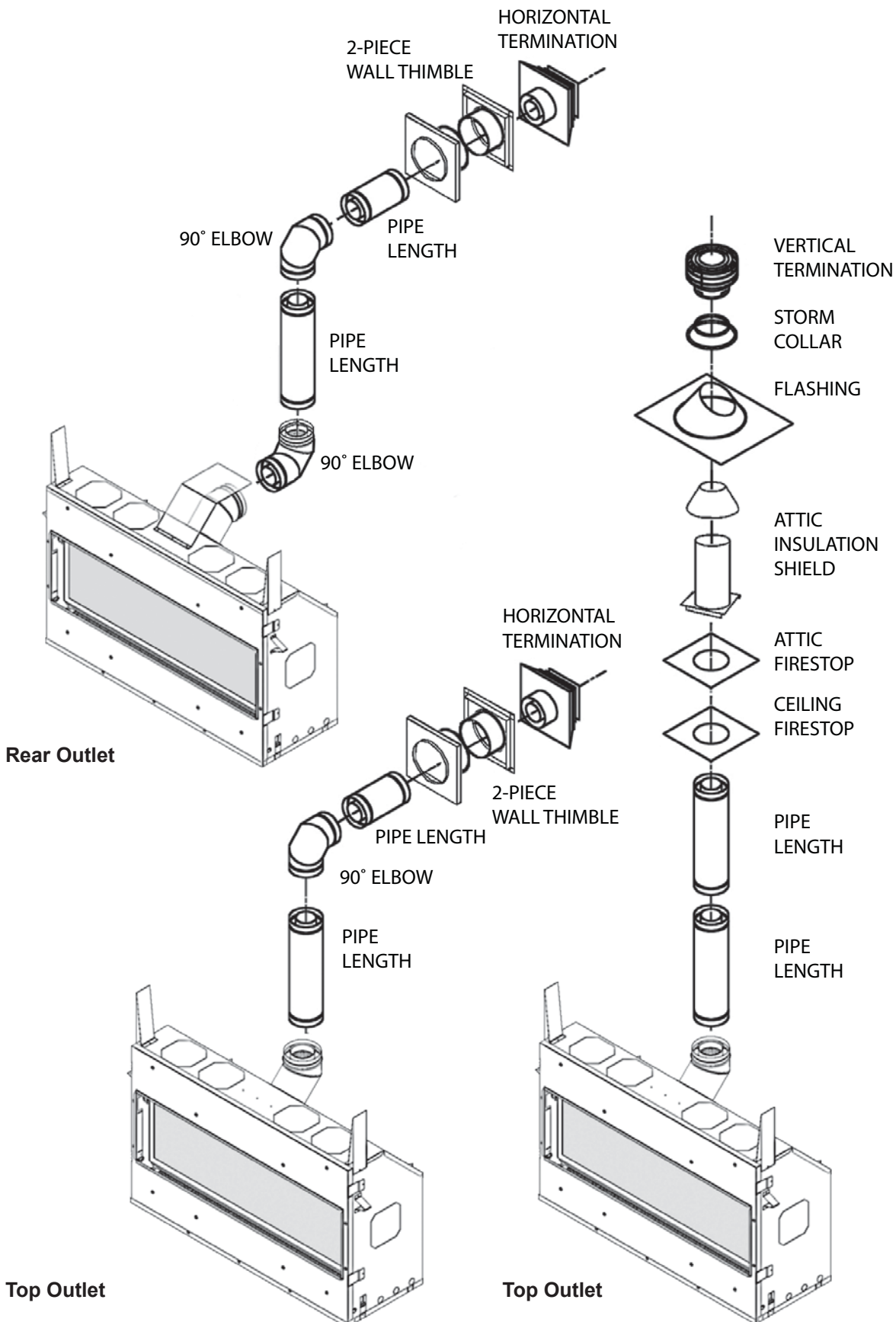
- Prevent rain water from entering the wall from the weather side by adequately caulking the outer vent plate to the exterior wall surface.
- Prevent moisture inside the home from penetrating into the wall structure by ensuring the inside wall plate is adequately sealed to the inside vapor barrier.
- Prevent rain water and moisture from entering the walls by sealing the joints between the outer vent tube and the inner and outer wall plates.

We recommend the use of a high quality polyurethane sealant.

All horizontal pipe runs must be graded 1/4 inch per foot upwards in the direction of the exhaust flow. The final pipe length, when terminating through the wall may be graded downwards slightly to prevent water migration.

Co-axial Venting

Typical Co-axial Venting Components



Co-axial Venting

How to Read the Venting Chart

The chart below applies to co-axial roof or wall termination.

1. Minimum 24 inch vertical pipe section required within vent system right at unit.
2. The total length of the vent pipe cannot exceed 40 feet.
3. The minimum vertical height with roof termination is 6 feet.
4. Any combination of rise and run can be used as long as they are within the allowable limits shown on the chart below.
5. A maximum of 4 x 90 degrees elbows—or equivalent (2 x 45 degrees = 90 degrees)—can

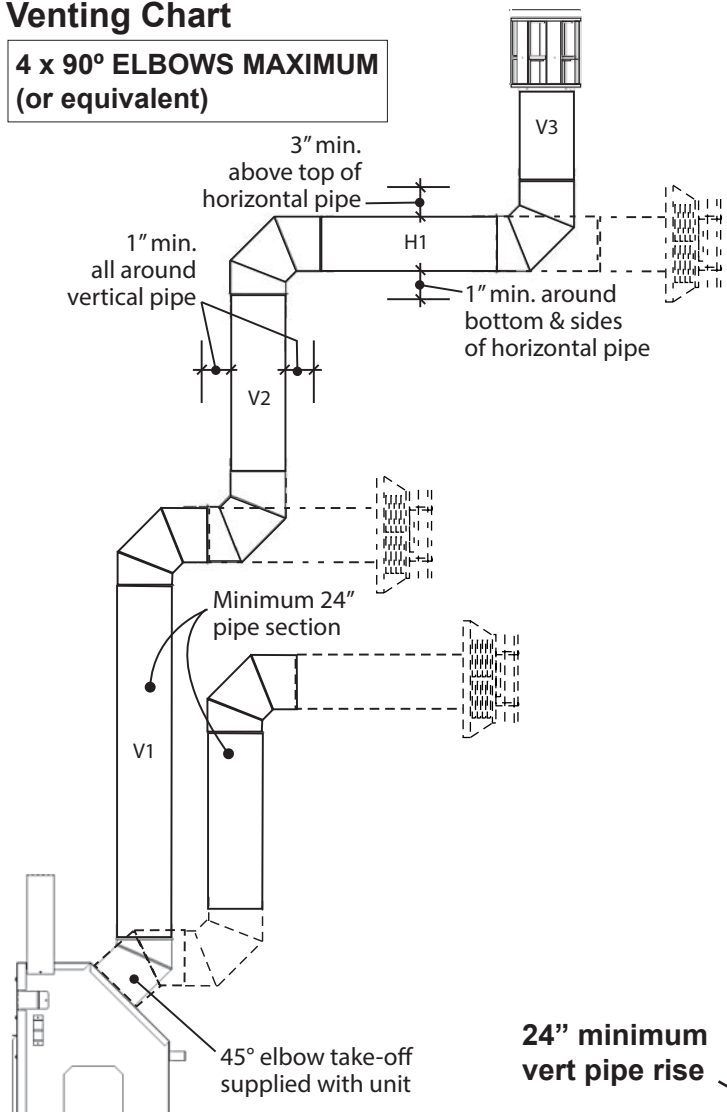
be used. Excludes the 45 degrees take-off elbow shipped with the appliance.

6. Each 90 degrees elbow installed on the horizontal plane is equivalent to a 3 feet horizontal pipe; therefore, 3 feet must be subtracted from allowable horizontal run. (45 degrees elbow is equivalent to 18 inches horizontal pipe.)
7. All horizontal pipe runs must be graded 1/4 inch per foot upwards in the direction of the exhaust flow. The final pipe length, when terminating through the wall may be graded downwards slightly to prevent water migration.
8. A restrictor adjustment is required for most installations having a vertical rise—see next section.

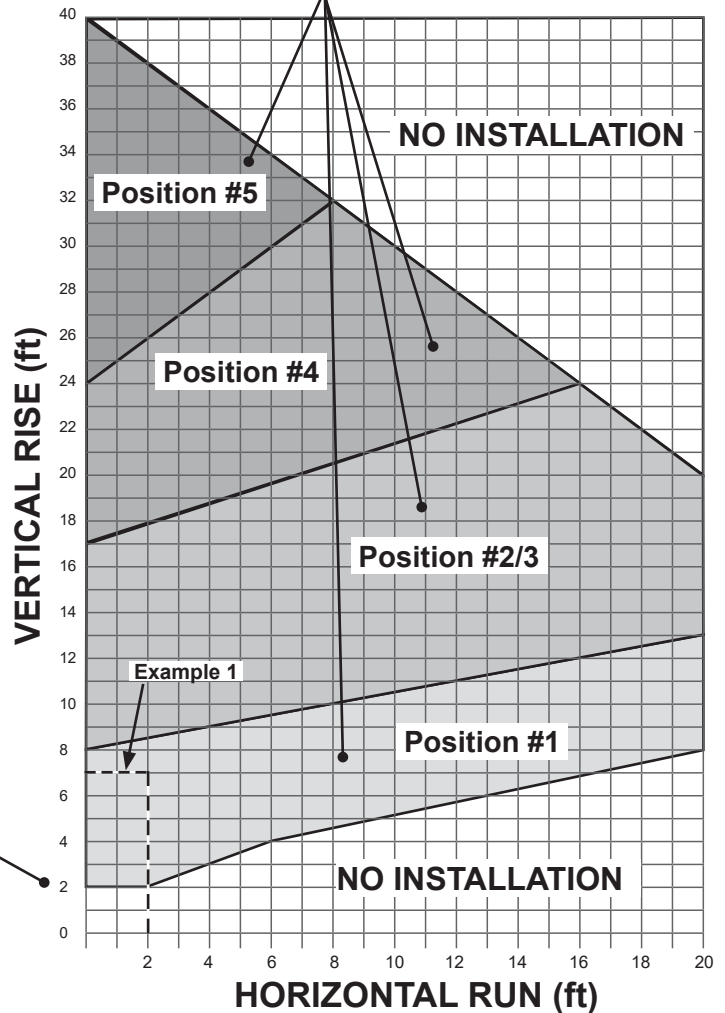
Note: The restrictor is shipped installed at the exhaust exit of the firebox.

Venting Chart

**4 x 90° ELBOWS MAXIMUM
(or equivalent)**



Allowable Co-Axial Vent Configurations with restrictor positions



Example 1
 $V \text{ Value} = V1 (4') + V2 (2') + V3 (1') = 7'$
 $H \text{ Value} = H1 (2') = 2'$
 Restrictor position # 1 required

Co-axial Venting

Restrictor

The restrictor is located in the roof of the firebox hidden above the top liner panel. Adjust the restrictor before installation of the top liner panel. Should subsequent adjustment be required, you will need to remove the top liner panel—see page 42.

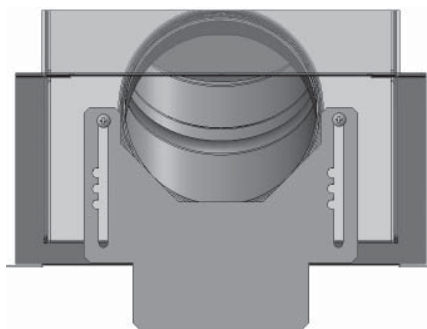
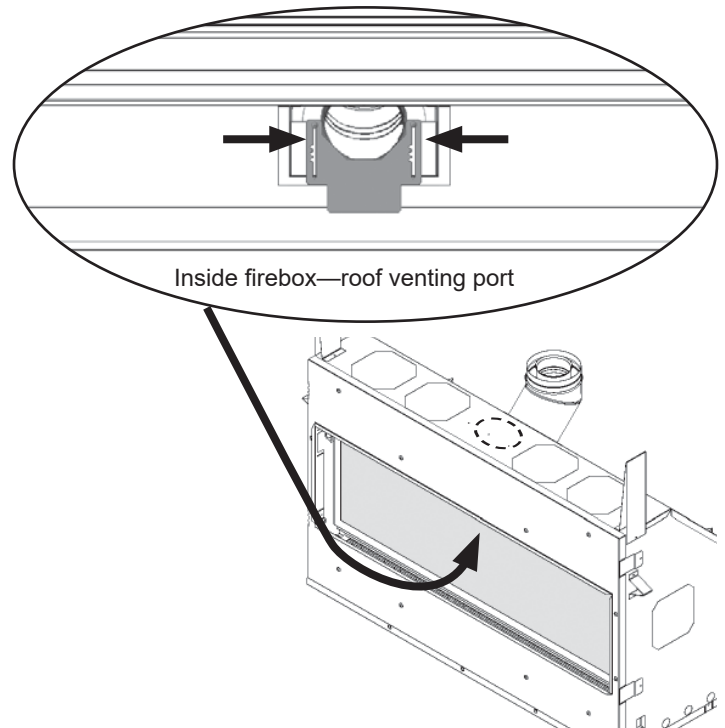
ALL INSTALLATIONS REQUIRE A RESTRICTOR for improved flame picture and performance. This unit is supplied with a pre-fitted restrictor having five different positions or settings. The restrictor is shipped mounted at the maximum open position. The level of restriction required depends on the vertical rise in the venting system and, to a lesser degree, the horizontal run and number of elbows.

The amount of restriction is based on laboratory tests. The ideal restrictor position may vary slightly, especially when the vent pipe length is near the limits of the acceptable configurations for each type of restrictor.

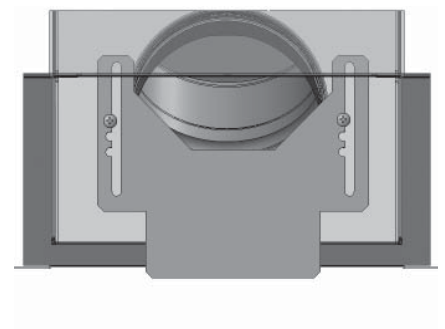
The chart on the previous page shows the vent restrictor required relative to the length of the vent pipe.

To set the restrictor position:

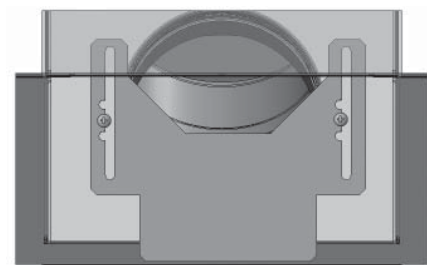
1. Establish the required position of the restrictor looking up the venting table on the previous page.
2. Release the screws (2) on each side of the restrictor already installed **on the firebox roof port**.
3. Slide the restrictor in the required position.
4. Tighten the screws.



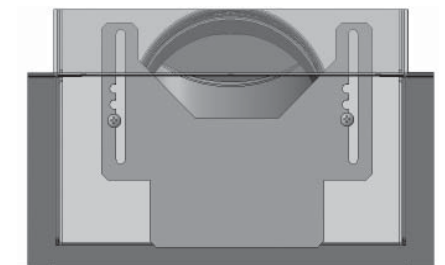
Position #1



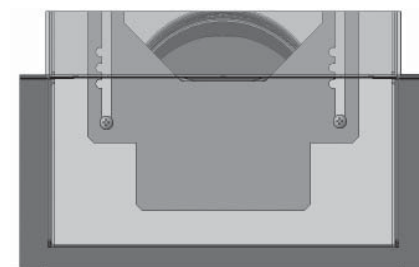
Position #2



Position #3



Position #4



Position #5

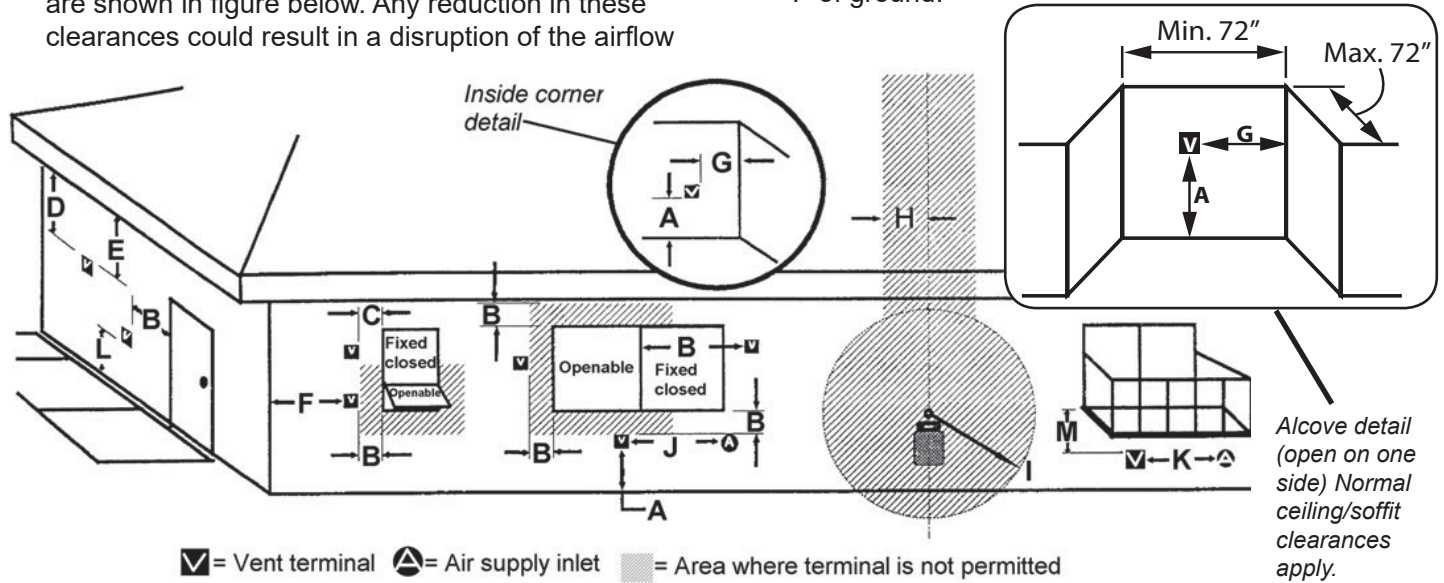
Co-axial Venting

Horizontal Vent Termination Location

- The vent terminal must be located on an outside wall or through the roof.
- This direct vent appliance is designed to operate when an undisturbed airflow hits the outside vent terminal from any direction.
- The minimum clearances from this terminal that must be maintained when located on an outside wall are shown in figure below. Any reduction in these clearances could result in a disruption of the airflow

or a safety hazard. Local codes or regulations may require greater clearances.

- The vent terminal must not be recessed into a wall or siding.
- The vent terminal should be positioned where any snowdrifts will not cover it.
- Sidewall vent terminations require a terminal guard such as 658TG or 845TG when accessible—within 7' of ground.



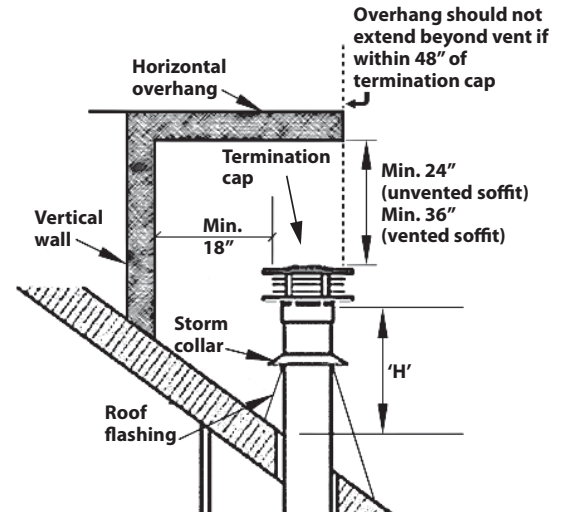
KEY	VENT TERMINAL LOCATIONS - MINIMUM DISTANCES	MINIMUM CLEARANCE	
		Inches	Cm
A	Clearance above grade, verandah, porch, deck or balcony	12	30
B	Clearance to window or door that may be opened	12	30
C	Clearance to permanently closed window (recommended to prevent condensation on window)	12	30
D	Vertical clearance to ventilated soffit located above the terminal within a horizontal distance of 2 feet (60 cm) from the center-line of the terminal	18	46
E	Clearance to unventilated soffit	12	30
F	Clearance to outside corner	12	30
G	Clearance to inside corner	12	30
H	Horizontal clearance to center-line of meter/regulator assembly located within 15 feet (4.6 m) below the terminal	36	90
I	Clearance to service regulator vent outlet	36	90
J	Clearance to non-mechanical air supply inlet to the building or the combustion air inlet to any other appliance	12	30
K	Clearance to a mechanical air supply inlet	72	180
L	Clearance above paved sidewalk or a paved driveway located on public property Note: A vent must not terminate directly above a sidewalk or paved driveway, which is located between two single-family dwellings and serves both dwellings. THIS DOES NOT APPLY to direct vent, non-condensing appliances in the Province of Ontario.	84	210
M	Clearance under a verandah, porch, deck or balcony <i>Only permitted if veranda, porch, deck or balcony is fully open on a minimum of 2 sides beneath the floor</i>	12	30

Note: Local codes and regulations may require different clearances.

Co-axial Venting

Vertical Vent Termination

Roof Pitch	Minimum "H" (feet)
Flat to 7/12	1'
Over 7/12 to 8/12	1.5'
Over 8/12 to 9/12	2'
Over 9/12 to 10/12	2.5'
Over 10/12 to 11/12	3.25'
Over 11/12 to 12/12	4'
Over 12/12 to 14/12	5'



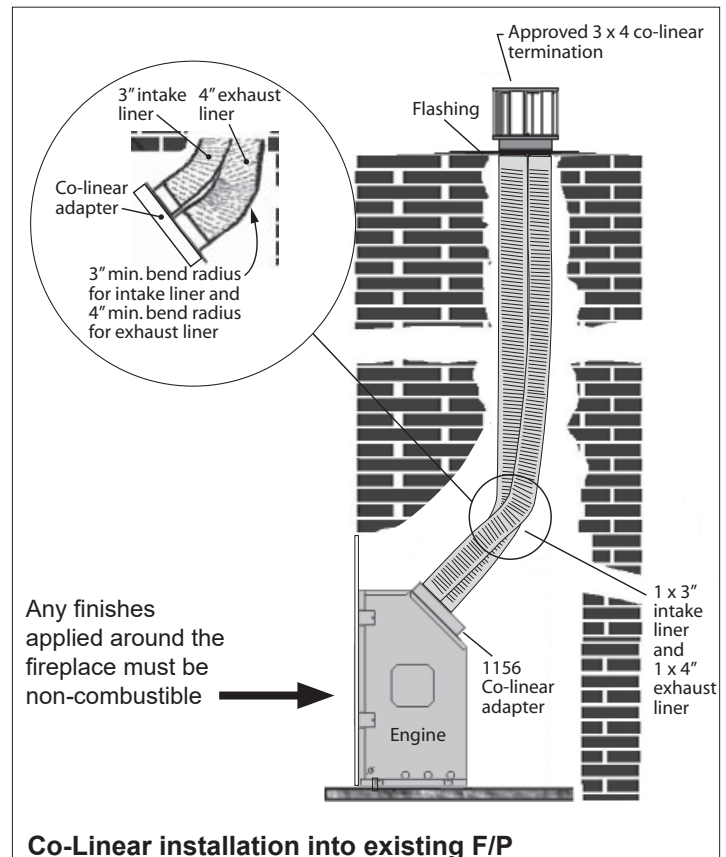
Co-linear Venting

Conversion to Co-Linear Liners using Valor 1156CLA Co-Linear Adapter

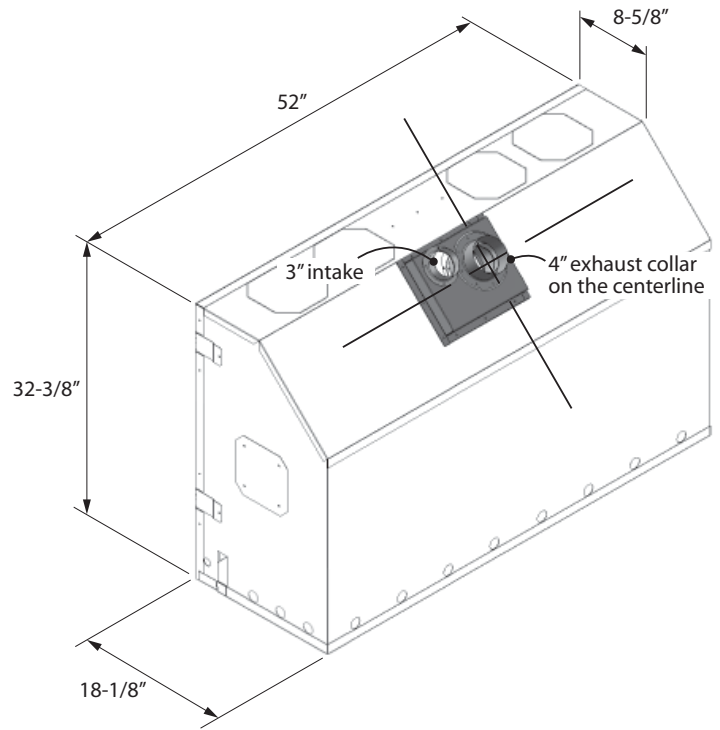
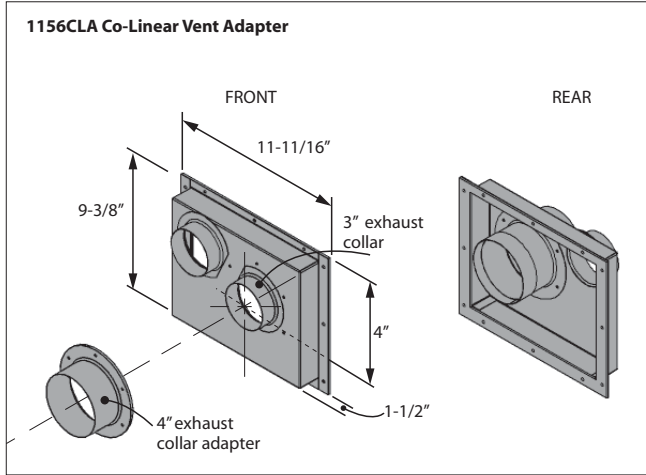
Co-linear portion of vent system may only be installed within a solid-fuel burning fireplace and chimney.
 The appliance must not be connected to a chimney flue serving a separate solid-fuel burning appliance. Requires an 1156CLA Valor Co-Axial-to-Co-Linear appliance adapter, two lengths of 2-ply flexible chimney liner, one 3" diameter liner for intake and one 4" diameter liner for exhaust, both approved for venting gas appliances, a 3 x 4 co-linear termination kit and flashing. *Firebox zero clearance stand-offs and heat shield supplied with the heater are not required for this application.*

Rules for Co-Linear Venting

- Maximum 40 feet vertical pipe
- Minimum 10 feet vertical
- Maximum offset 8 feet with liners at minimum 45 degrees from horizontal plane
- Restrictor: Use #4 position for all co-linear installations—refer to page 31 for restrictor positioning.



Co-linear Venting



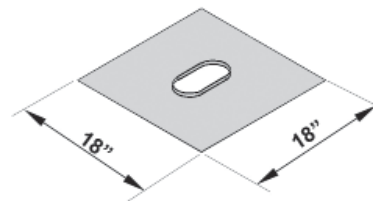
Dimensions with co-linear adapter

Dimensions shown are with Valor 1156CLA co-linear adapter.

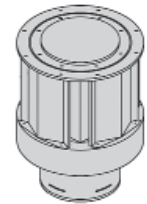
Installation

For installation of the adapter to the appliance, see the instructions supplied with the 1156CLA.

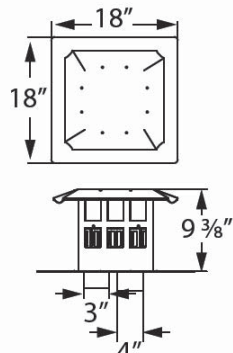
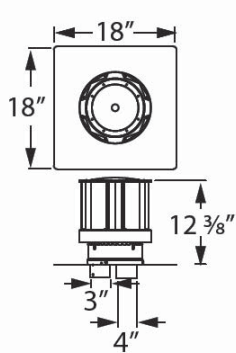
Example of co-linear terminal configurations



Flashing Kit



Terminal Cap



Co-linear terminal kits

Installation Planning

Installer—READ THIS FIRST

Only qualified licensed or trained personnel should install this appliance.

1. YOU NEED TO KNOW FROM THE HOMEOWNER:

- Will the optional LDK Duct Kit be used;
- The height of the unit and hearth if used;
- The thickness and type of the wall finish around the firebox opening;
- What accessories (trim, decorative lighting, etc.) will be installed with this fireplace;
- The venting configuration.

2. Unpack the appliance, removing all items packed inside and around the appliance.
3. Check that you have everything, using the Pack Content sheet. Also, check that you have:
 - ◇ a fuel bed (packed separately)
 - ◇ a set of liners (packed separately)
 - ◇ LDK HeatShift kit if used.
4. Carefully read the Installer's Checklist included with the fireplace for the installation sequence.

Plan Wall Finish

Non-Combustible Materials Specifications

Material which will not ignite and burn. Such materials are those consisting entirely of steel, iron, brick, tile, concrete, slate, glass or plasters, or any combination thereof.

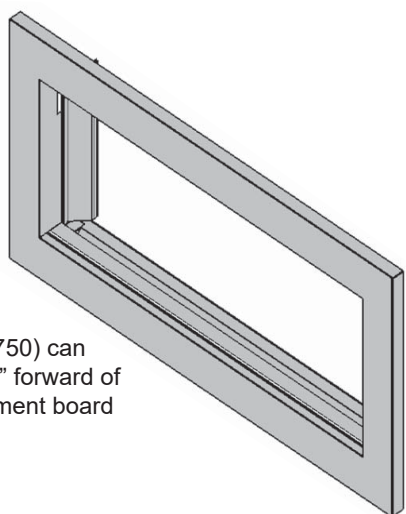
Materials that are reported as passing ASTM E 136, Standard Test Method for Behavior of Materials in a Vertical Tube Furnace at 750 °C shall be considered non-combustible materials.

Combustible Materials Specifications

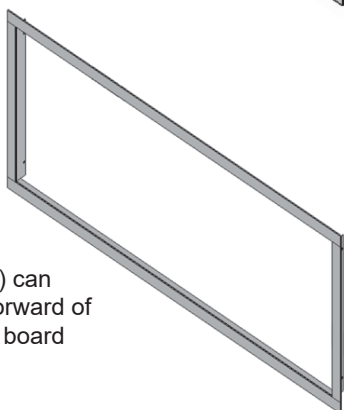
Materials made of or surfaced with wood, compressed paper, plant fibers, plastics, or other material that can ignite and burn, whether flame proofed or not, or plastered or unplastered shall be considered combustible materials.

Non-combustible cement board

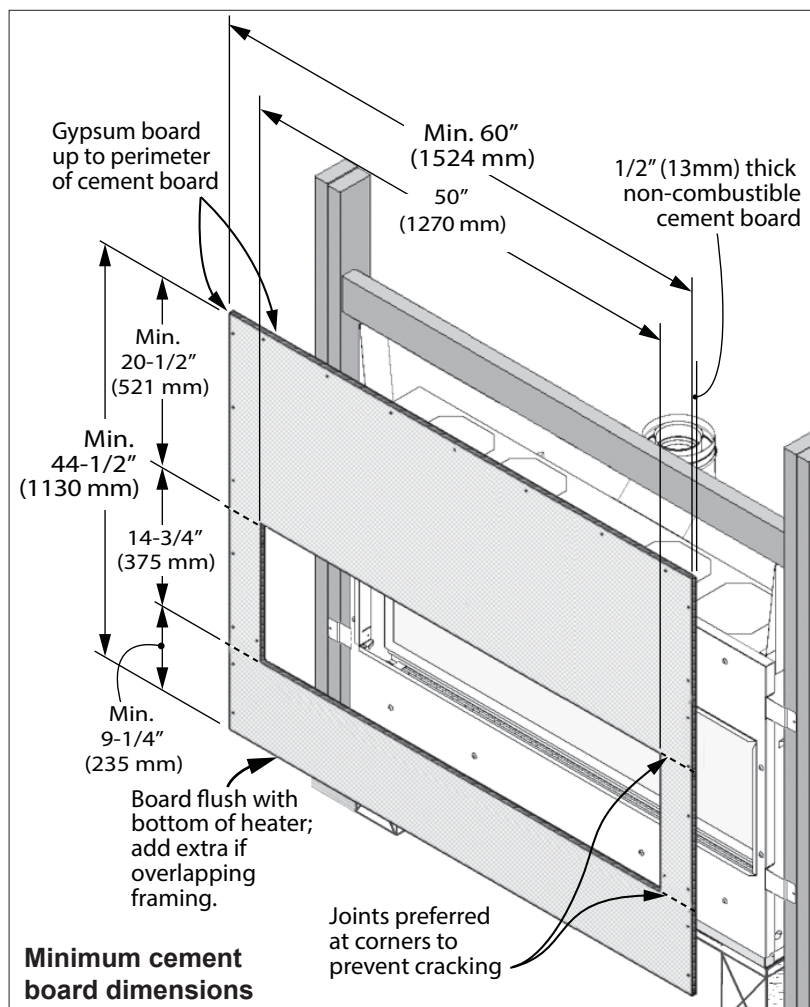
The L2 Linear fireplace requires a 1/2" (13 mm) thick non-combustible cement board to be used as a wall surface immediately surrounding the unit on each side—see diagram for minimum coverage.



Wider trim (1750) can adjust up to 1" forward of surface of cement board



Narrow trim (1775) can adjust up to 5/8" forward of surface of cement board



Installation Planning

Extending the cement board well beyond the minimum shown will help avoid cracking due to differential expansion of materials.

Pre-drill cement board with oversized holes and do not over-tighten screws to avoid cracking due to heat expansion.

Standard gypsum wall board may be used beyond the perimeter of the cement board.

Non-combustible finishing over cement board

Additional non-combustible material such as tile, etc., may be applied over top of the cement board or you may choose to leave it finished clean with no tile, etc. Be aware that a trim is always required and that only the 1775 and 1750 style trims will accept tile, etc. tucked behind them (up to 5/8" thick for the 1775 and up to 1 inch thick for the 1750). Finish **should not cover** the trims.

Cracking wall finishes

We recommend installing the optional LDK HeatShift Duct Kit to reduce the wall temperatures and minimize the possibility of cracking wall finishes.

If a clean finish with no tile, etc. is desired, joints in the cement board and the transition to gypsum board will require special attention if future cracking is to be controlled. Be aware that temperatures on the non-combustible wall surface above the appliance can exceed 250°F.

Below are some tips on how to best avoid any cracking:

- Allow materials to dry thoroughly before finishing the wall. Cement board has the ability to absorb up to 30 percent of its weight in water and may shrink as much as 1/8" over a 48" length when drying from a saturated condition. Running the fireplace before final finishing will help drive out moisture.
- Always pre-drill screw holes through cement board and use screws with self-milling head.
- Always use tape over joints.
- Behind joints, double up studs or use studs "on the flat" to add extra support to the joint. Adhesive on the backside of wall board behind any joints can help control differential movement.
- Use multiple, thinner coats of joint compound and allow to dry thoroughly between coats.
- Ensure framing materials are dry.
- After finishing the wall, introduce heat gradually to slowly dry any excess moisture rather than drying too fast.
- Avoid notching cement board or tiles around corners of window opening and instead provide a joint that intersects the corner.

Installation

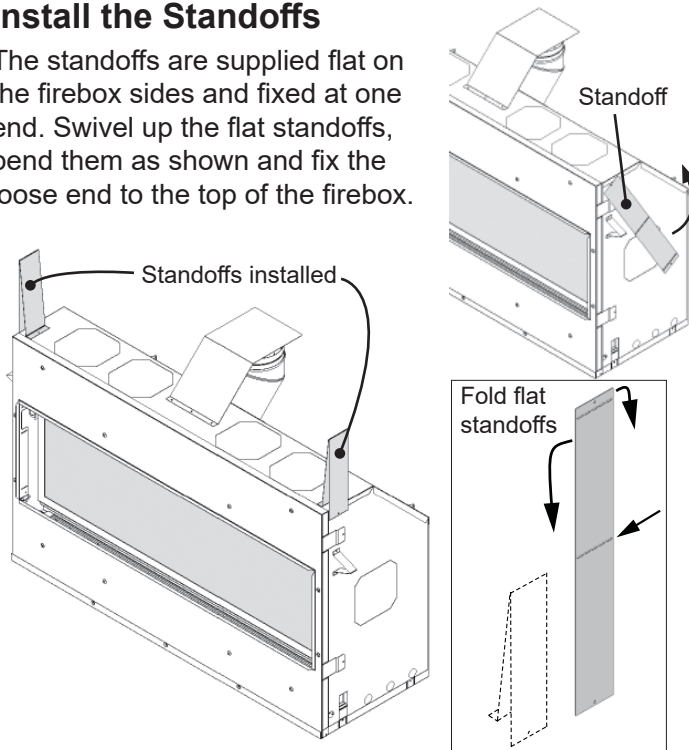
Unpack the Appliance

Beware of sharp edges! Wear gloves!

1. Remove the cardboard wrapping and the wood pallet from the appliance and discard.
2. Unpack any loose items from around the appliance.
3. **Verify that you have all the components required for the installation, including:**
 - *approved non combustible cement board;*
 - *liners and fuel bed (in separate carton);*
 - *trim kit with barrier screen;*
 - *venting components and accessories;*
 - *optional LDK HeatShift Duct Kit if used;*
 - *electrical components if installing optional decorative light wall switch or blower.*

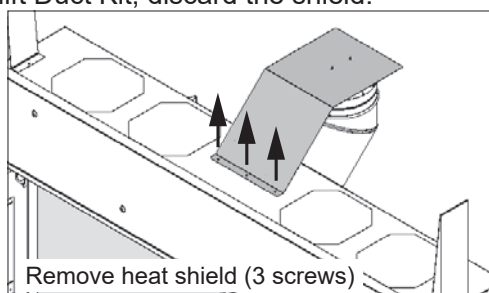
Install the Standoffs

The standoffs are supplied flat on the firebox sides and fixed at one end. Swivel up the flat standoffs, bend them as shown and fix the loose end to the top of the firebox.



Remove Heat Shield

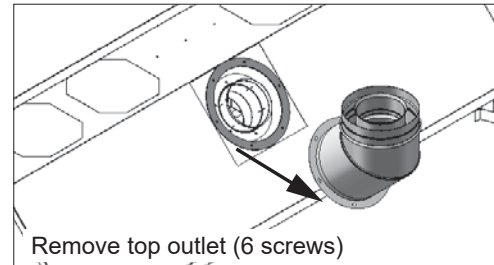
Remove the heat shield from the top of the appliance case (3 screws). If using a rear outlet, keep the shield to reinstall after converting the top to rear outlet—see next subsection. If using the top outlet or the LDK HeatShift Duct Kit, discard the shield.



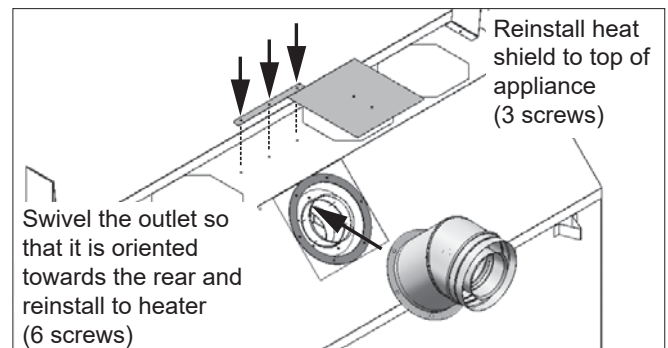
Convert Vent Outlet (if required)

This unit is supplied with a top vent outlet which can be field-converted to a rear vent outlet. **Please note that the rear outlet requires the installation of the heat shield on top of the heater case as indicated.**

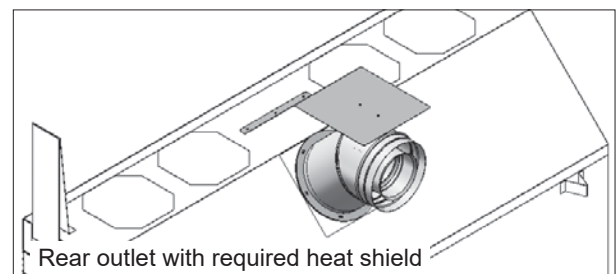
1. Remove the top outlet collar (6 screws).



2. Swivel the collar and install as a rear outlet (6 screws).



3. Reinstall the heat shield to the top of the appliance case (3 screws).



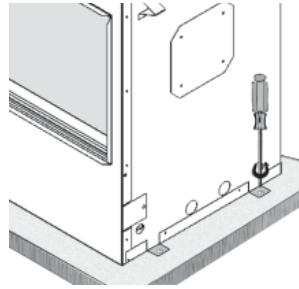
Fit optional LDK HeatShift Duct Kit's take-off collars to appliance (if used)

See installation instructions packed with the LDK kits for details.

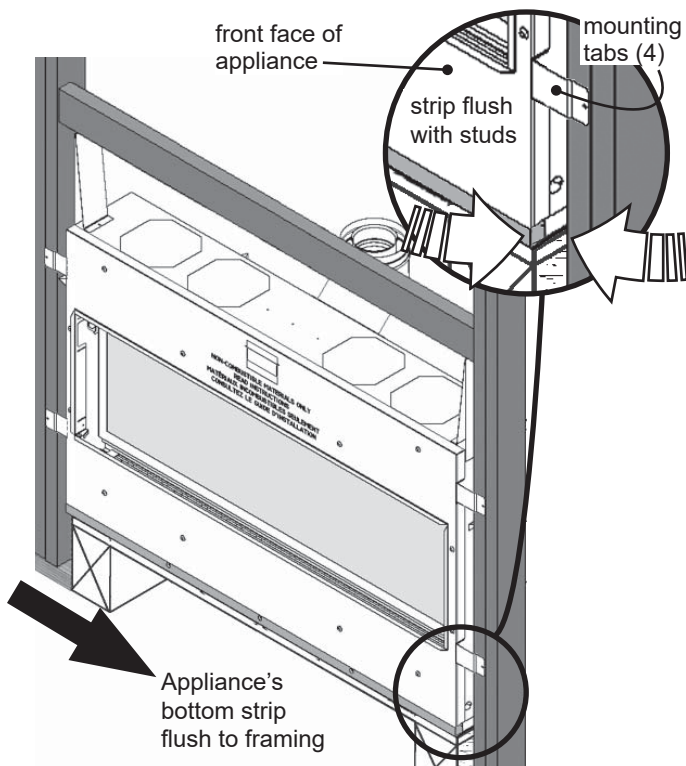
Installation

Fit the Appliance into Framing

1. Remove the 4 screws retaining the engine to its pallet.
2. Taking great care not to cut your hands on the sheet metal edges, lift the appliance out of its packing base and place it in the framing. *Make sure that the unit is at the right height with consideration to the height of the hearth or combustible flooring.*
3. Fold out four mounting tabs and install the appliance in the framing as shown.
4. Fasten the unit to framing using 4 screws or nails at the mounting tabs.



Note: The **sheet metal strip** at the bottom of the appliance **must be flush with the framing studs**.

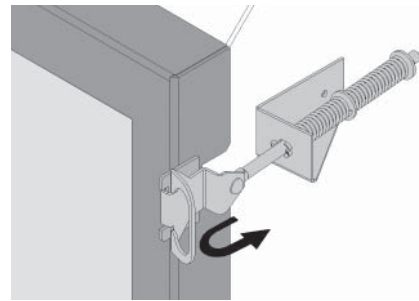


Remove Window

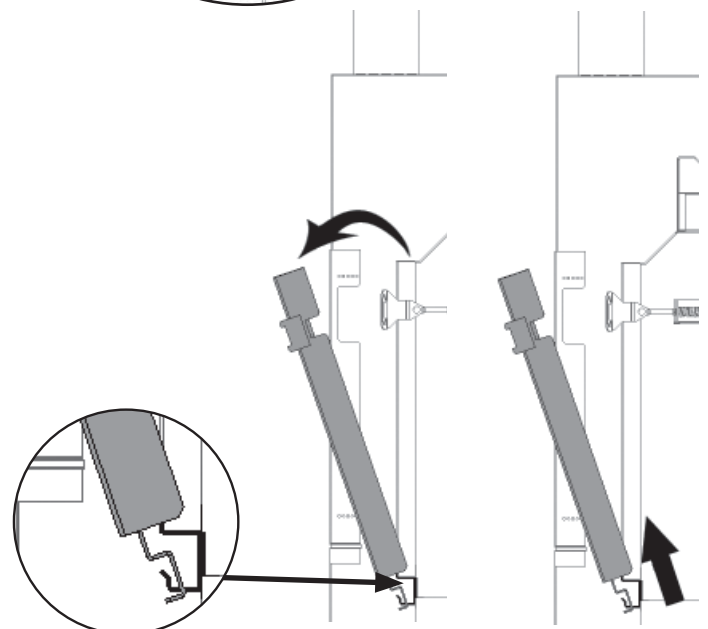
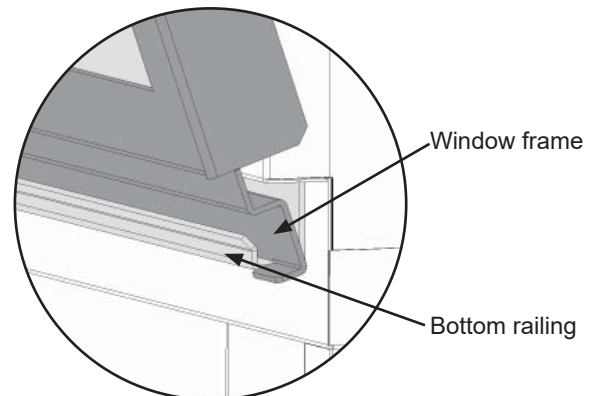
The window is held in place by a spring-loaded lever on each side.

1. To remove the window, locate the levers on each side of the window towards the top. Using your finger, pull the lever towards you and unhook it from the window frame bracket.

Section Views



2. Gently pull the top of the window outward.
3. Lift the window out of its bottom railing and set it aside in a safe place to avoid damage.



Complete Installation of optional LDK HeatShift Duct Kit (if used)

See installation instructions packed with the LDK kits for details.

Installation

Install Electrical Wiring (for optional accessories)

This section provides information to install the electric pre-wiring required for use with the 1595CFK Circulating Fan Kit and/or the 1565LLK Lighting Kit.

All wiring must be done by a qualified electrician in accordance with local codes or, in the absence of local codes, with the *National Electrical Code, ANSI/NFPA 70* or the *Canadian Electrical Code, CSA C22.1*.

Electrical Requirements

1595CFK—120 V, 60 Hz, less than 1 amp

1565LLK—120 V, 60 Hz, 200 W, halogen

General Requirements

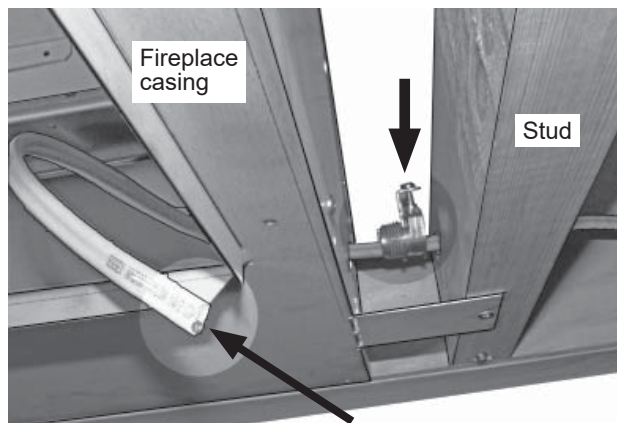
Both optional 1595CFK and 1565LLK kits include a three-prong grounded plug to plug into a grounded duplex receptacle installed within the fireplace enclosure by a qualified electrician.

Notes

- A fan speed control and/or lighting dimmer switch will need to be provided by the electrician, mounted at a convenient location on the wall, and connected to control power supply to each of the receptacles within the fireplace enclosure.
- If using both accessories, separate cables or switch legs will be required and the duplex receptacle will need to be “split” to ensure separate control of fan and lighting.
- The duplex receptacle and box must be located as per these instructions. Wiring within this box must have a minimum 90°C temperature rating.

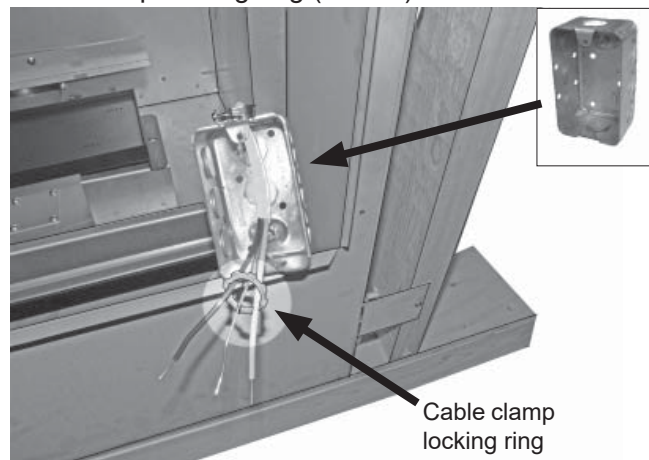
Installation

1. Thread the cable through the cable clamps and through the hole in the lower right hand corner of the fireplace casing. Do not tighten the clamps yet. **Note:** May require a 3-wire cable and ground for independent control of fan and lighting.



Pull just enough cable out front for now to make termination easier

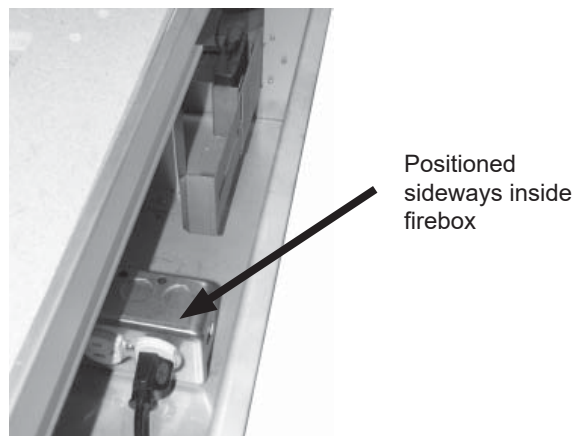
2. Provide a steel surface mount electrical utility box (Iberville BC 1110 or equivalent), thread cable through knock-out in the end of box and through the cable clamp locking ring (if used).



3. Strip wire and terminate grounded receptacle. “Split” receptacle and control separately if using fan and lighting control.



4. Mount receptacle into electrical box.
5. Mount steel cover to electrical box and plug in the accessory cable(s).
6. Position the electrical box to the base of the fireplace with accessory cables plugged in sideways, laid sideways.



Installation

- Pull the excess cable back through the cable clamp and tighten the locking ring to the cable clamp. Alternate clamp without locking ring may be used - ensure the proper clamp is used for the type of cable used.



- Tighten cable clamp on outside of fireplace casing and secure and excess wire to framing.

Set-up Gas Supply

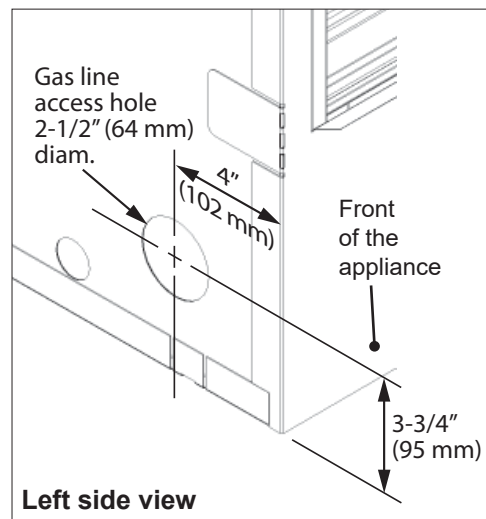
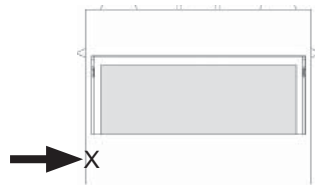
The gas supply inlet connection is a 3/8" NPT male connector located on the left hand side of the firebox.

The unit is supplied with a stainless steel flex line to allow the appliance to be disconnected for service. An individual shut-off valve (not supplied) is required on the supply line ahead of the flex connector.

Use only new black iron or steel pipes or copper tubing if acceptable—check local codes. Note that in USA, copper tubing must be internally tinned for protection against sulfur compounds.

Unions in gas lines should be of ground joint type.

The gas supply line must be sized and installed to provide a supply of gas sufficient to meet the maximum demand of the appliance without undue loss of pressure.



Sealant used must be resistant to the action of all gas constituents including LP gas. Sealant should be applied lightly to male threads to ensure excess sealant does not enter gas lines.

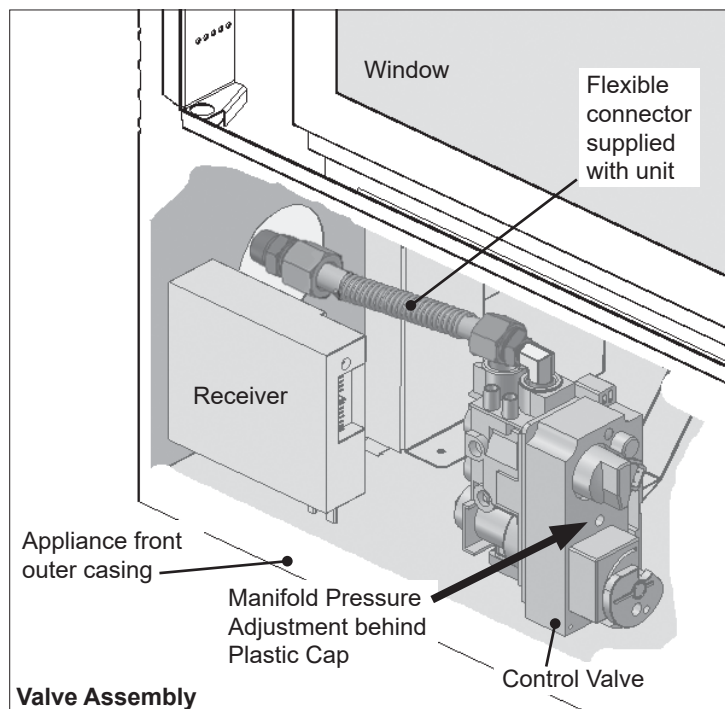
Installation

Pressure test the supply line for leaks.

The appliance and its individual shut-off valve must be disconnected from the gas supply piping system during any pressure testing of that system at test pressures in excess of 1/2 psig (3.5 kPa).

The appliance must be isolated from the gas supply piping system by closing its individual manual shut-off valve during any pressure testing of the gas supply piping system at test pressures equal to or less than 1/2 psig (3.5 kPa).

Failure to either disconnect or isolate the appliance during pressure testing may result in regulator or valve damages and void the warranty. Consult your dealer in case of damages.



Pressure Test Points

The minimum supply pressure is given in the section *Specifications* of this manual—page 20.

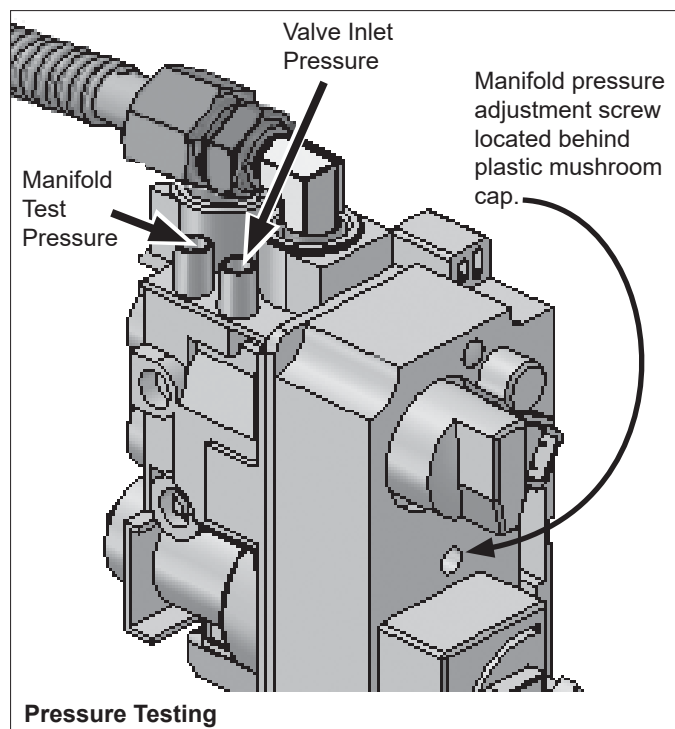
All piping and connections must be tested for leaks after installation or servicing. All leaks must be corrected immediately.

When testing for leaks:

- Make sure that the appliance is turned off.
- Open the manual shut-off valve.
- Test for leaks by applying a liquid detergent or soap solution to all joints. Bubbles forming indicate a gas leak.

**Never use an open flame to check for leaks.
Correct any leak detected immediately.**

The pressure test tapping locations are shown in the figure at right. An internal regulator within the valve controls the burner manifold pressure. The correct pressure range is shown in the table in section *Specifications* of this manual on page 20. The pressure check should be made with the burner alight and at its highest setting. See *Lighting Instructions* section for full operating details on page 14.



Installation

Install Liners

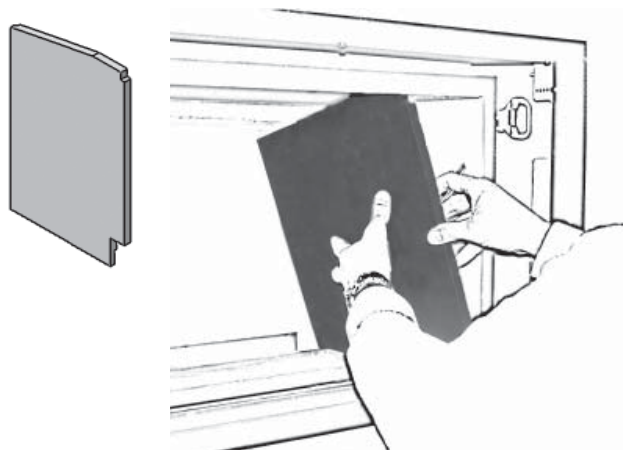
The liners install in the manner outlined below **with the exception of the 1725RGL Reflective Glass Liners**—see instructions supplied with the liners.

Unpack the liner panels carefully.

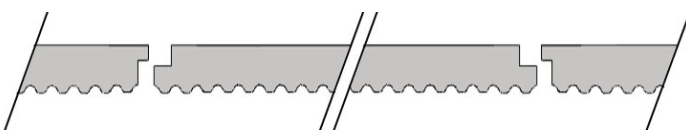
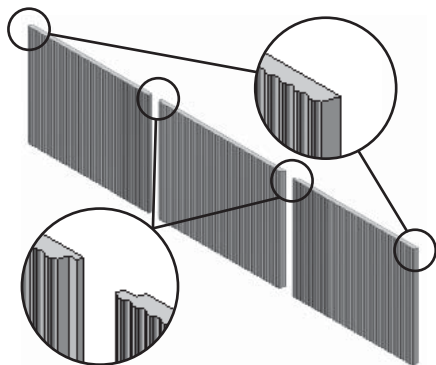
1. Inside the firebox, on the top of each side, release the screw of the side panel anchors (one per side) just enough to allow them to rotate.



2. Place the right end panel against the right wall of the firebox.

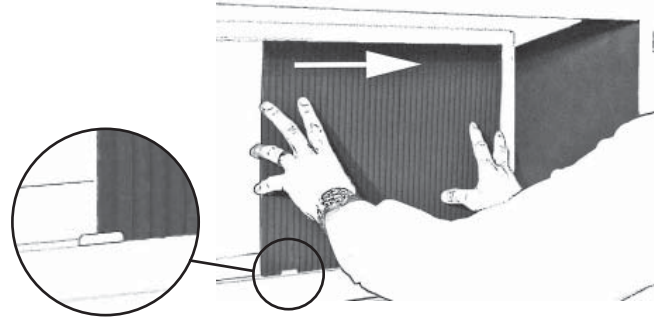


3. The rear panel is supplied in three sections which are fitted into each other. Two of the sections are identical. Their step edges go towards the middle to fit into the middle section.

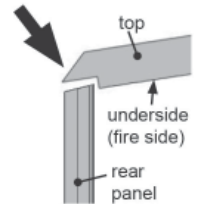


Rear panel sections—top view

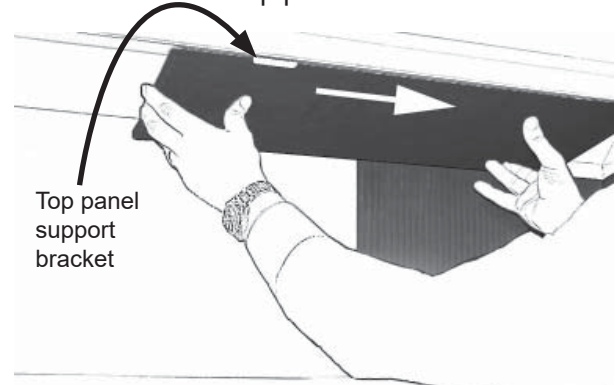
Place the panel's right section on the ledge above the ports of the rear of the firebox. The section sits on the ledge behind the tabs, with its plain edge on right side; slide it behind the right side panel.



4. The top panel is supplied in two identical sections. The top of the panel is beveled and the 'fire side' is straight at the front and notched at the back. When installed, the panel rests on the top of the rear and side panels. In the front, it rests on the top panel support bracket located inside the front edge of the firebox.



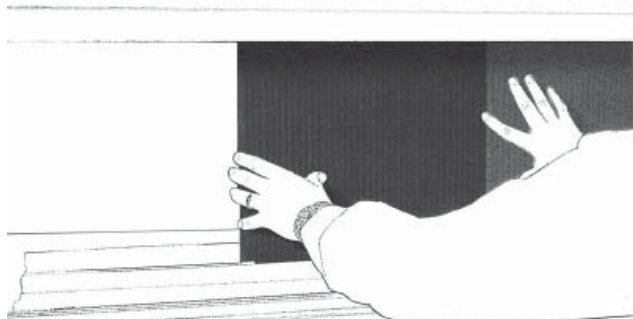
Position and slide top panel into corner.



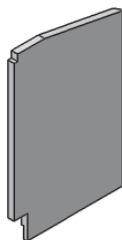
5. Carefully position, lift and slide second section of the top panel on top of the first.

Installation

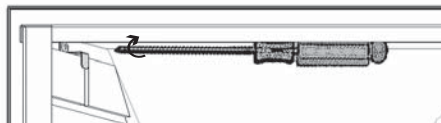
6. Place rear panel's centre section on the ledge behind the tabs, slide it to the right so that its stepped edge fits into the stepped edge of the rear panel's right section.



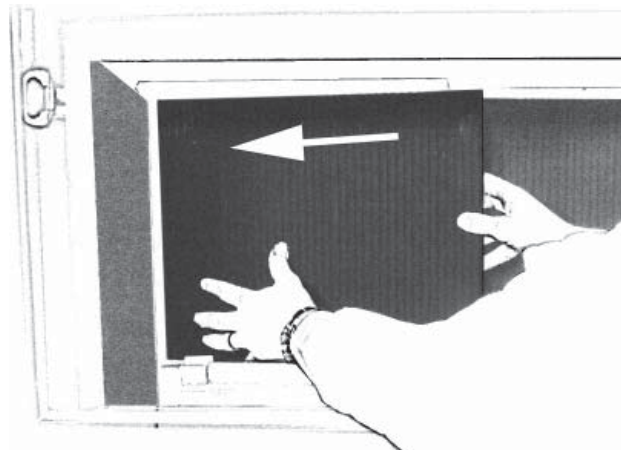
7. Place the left side panel against the left wall of the firebox.



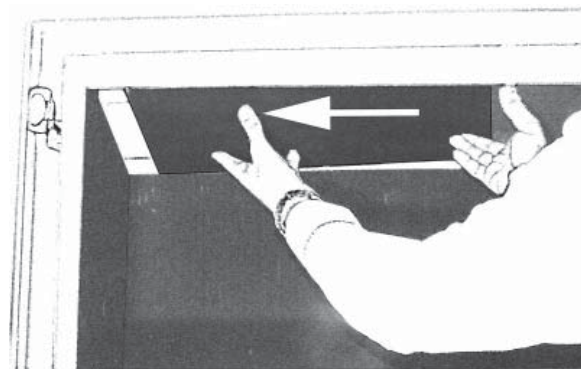
8. Tighten the side panel anchors on each side of the firebox



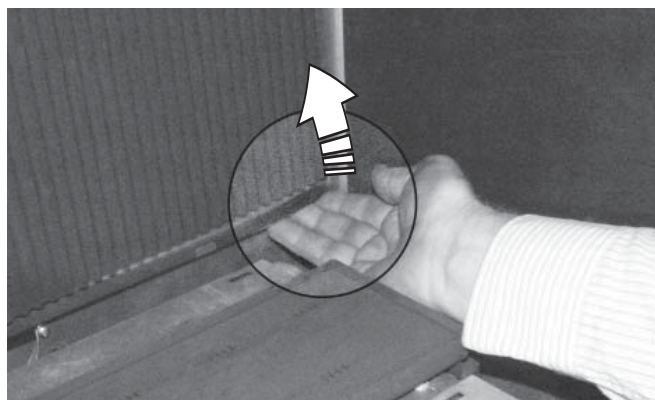
9. Place the remaining rear panel's section behind the left side panel and fit its stepped edge to the stepped edge of the rear panel's center section.



10. Carefully lift, slide and position top panel on to left side and rear panel.



NOTE: If gapping occurs between each section of the rear panel, a lift tab located on each end of ledge can be bent by hand to close the gap.



Install Driftwood Kit 1705DWK

Material required

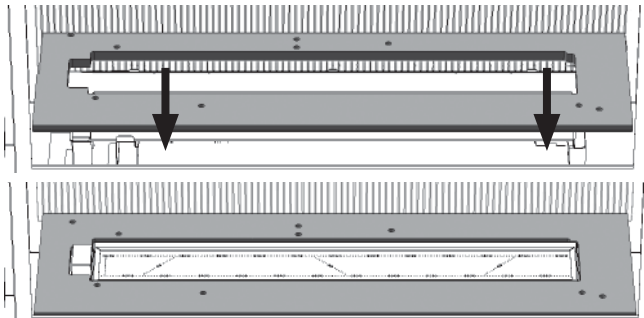
- Black steel platform (supplied with appliance)
- Small container to distribute vermiculite (not supplied)
- Driftwood Kit, which contains:
 - ◊ 6 logs
 - ◊ 10 pebbles
 - ◊ 1 bag of vermiculite

Installation

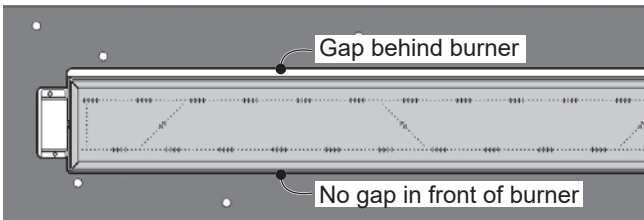
Platform

Carefully unpack the kit.

1. Install the steel platform around the burner as indicated. The openings in the platform should be underneath. Push the platform as far back as possible to maximize the air gap behind the burner.



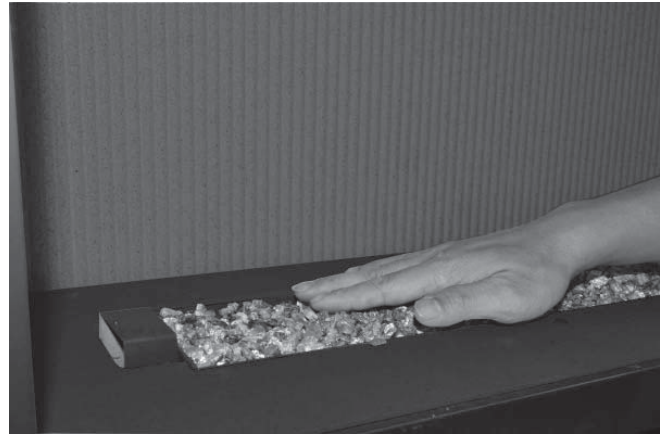
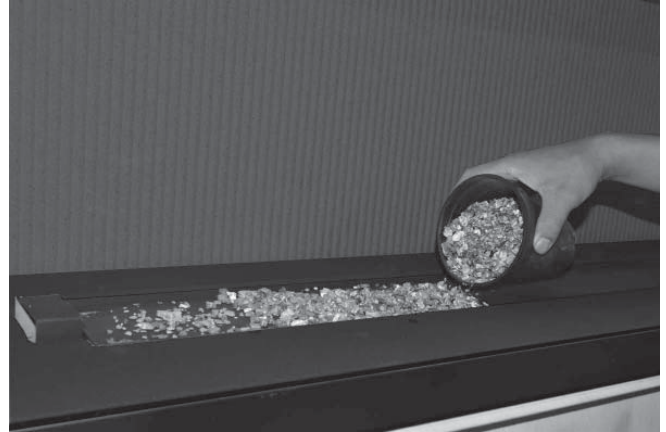
Installed platform



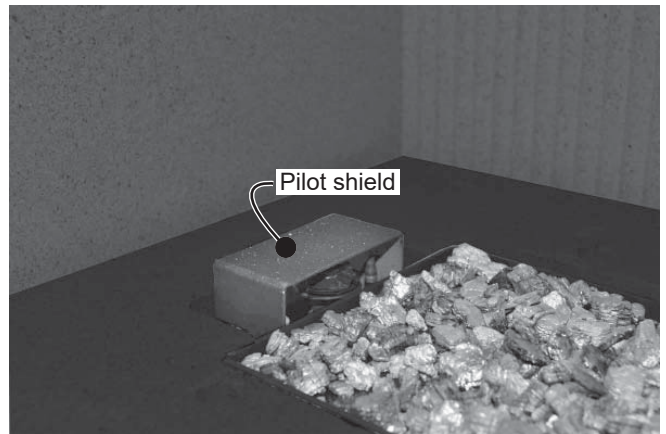
Top view—platform

2. Fill a small container with the equivalent of approximately 3 cups (750 ml) of vermiculite from the bag supplied.

3. Carefully spread the vermiculite on the surface of the burner patting it gently with your hand to form a single layer to the approximate level of the top of the flange at the edge of the burner. Do not pour too much to avoid blocking the burner ports.



NOTE: Ensure the area within the pilot shield is clear of vermiculite.



Installation

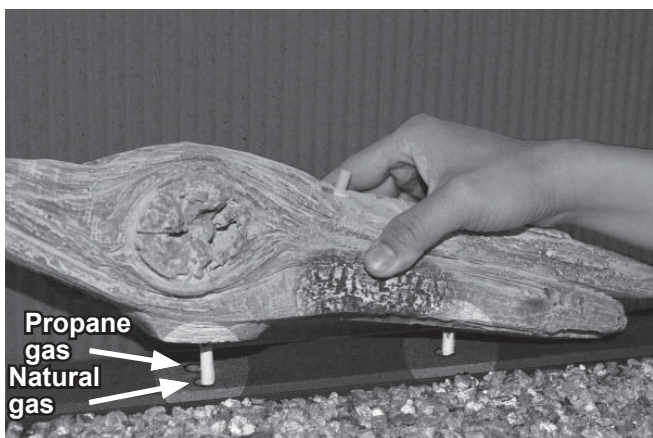
Logs and rocks

Each log has pegs to help you locate them on the platform. Install the logs as shown below.

1. Place the rear log in the center of the firebox at the rear. **NOTE:** There are two holes for the left peg of this log depending which type of gas is used for the appliance.

Natural gas fire: Place the log's left peg in the front hole for natural gas fire.

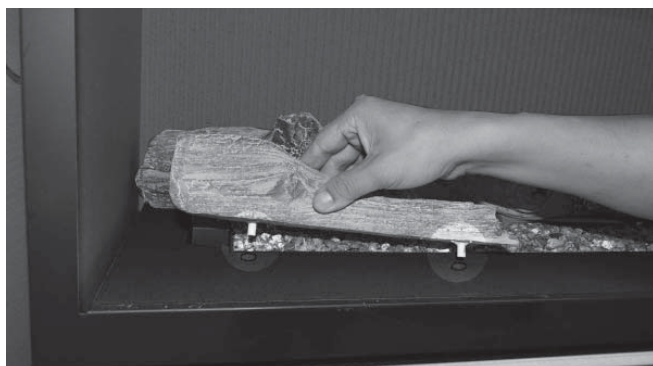
Propane gas fire: Place the log's left peg in the rear hole for propane gas fires.



2. Place the rear left log as indicated.



3. Place the front left log as indicated.



4. Place the right rear log as indicated. Pivot tail end to just cover small hole located in platform.



5. Place right cross log as indicated. Pivot other end to locate on to recess of right rear log as indicated, ensure firmly located.

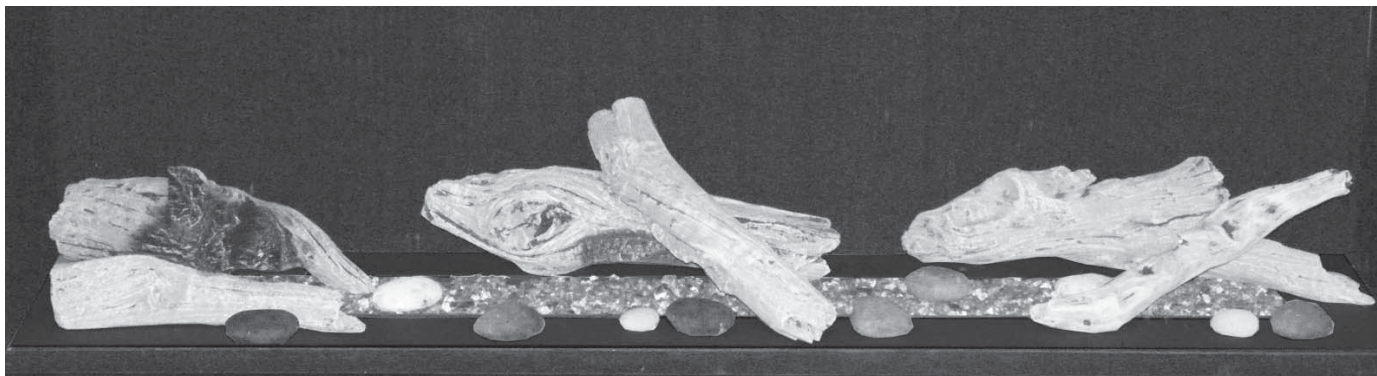


Installation

- Place centre cross log to rear log as indicated. Pivot tail end so tip is just inside fireplace window line.



- Some vermiculite may be added outside the burner on the platform if desired.
- Place the rocks on the platform as shown below. You can also place one or two rocks on the vermiculite as shown.



Long Beach Driftwood Kit installed

WARNING

CHOKING HAZARD! Ensure that the fireplace area is clear of vermiculite particles as these could be ingested by small children. Vacuum area after installation.

Installation

Install Decorative Glass Murano 1700DGM

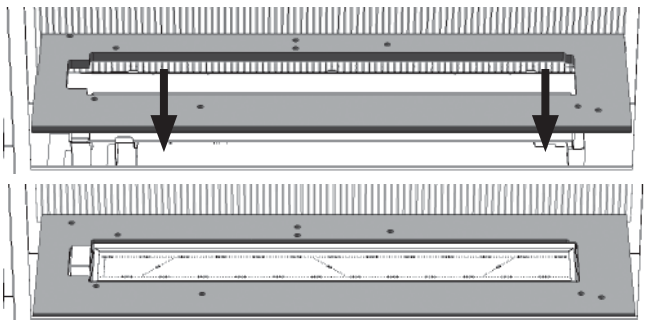
Material required

- Black steel platform (supplied with appliance)
- Small container to distribute fire glass (not supplied)
- Murano Glass Fire Kit, which contains:
 - ◊ 1 bag of clear fireglass
 - ◊ 8 pieces glass panels

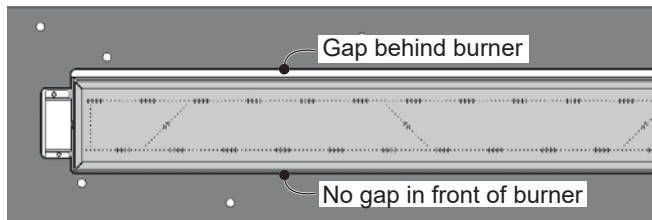
Installation

Carefully unpack the kit.

1. Install the steel platform around the burner as indicated. The openings in the platform should be underneath. Push the platform as far back as possible to maximize the air gap behind the burner.

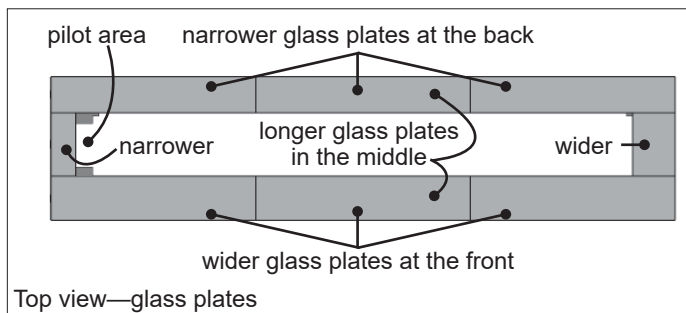


Installed platform

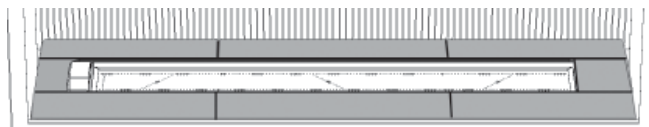


Top view—platform

2. Install the glass plates on the platform, the textured side underneath and the smooth side on top. Follow the diagram below as the pieces are not all the same size.

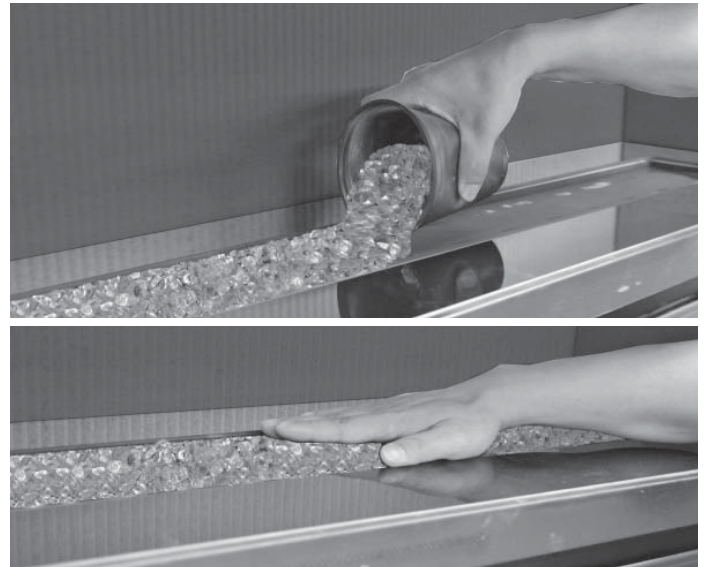


Top view—glass plates



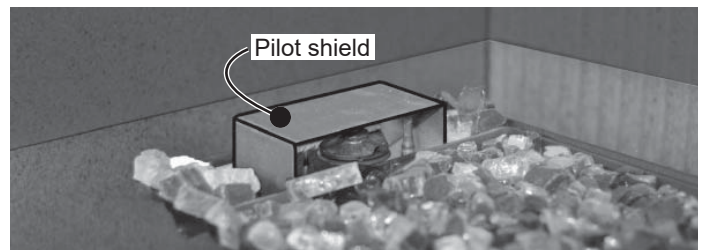
Installed glass plates

3. Fill a small container with approximately 3 cups (750 ml) of fireglass.
4. Carefully spread the fireglass on the surface of burner patting it gently with your hand to form a single layer to the approximate level of the top edge of the flange around the burner. Do not pour too much to avoid blocking the burner ports.



5. Some fireglass may be added on the platform to cover the edge of the burner and in the space in front and behind the pilot shield.

NOTE: Ensure the area *within* the pilot shield is clear of fireglass.



IMPORTANT: Homologated for use only with the fireglass provided with your Valor fireplace or the tempered crushed fireglass brands *American Fireglass™* or *firegear*. The use of any other fireglass products may void your fireplace warranty.

! WARNING

CHOKING HAZARD! Ensure that the fireplace area is clear of fireglass particles as these could be ingested by small children. Vacuum area after installation.

Install Rocks & Shale Set 1714RSS

Material required

- Black steel platform (supplied with appliance)
- Small container to distribute shale (not supplied)
- Rock & Shale Set, which contains:
 - ◊ 1/2lb-bag of 3/4" grey shale
 - ◊ 1/2lb-bag of 3/4" black shale
 - ◊ 5 twigs
 - ◊ 34 rocks

Installation

Platform

Carefully unpack the kit.

Install the steel platform around the burner as indicated. The openings in the platform should be underneath. Push the platform as far back as possible to maximize the air gap behind the burner.

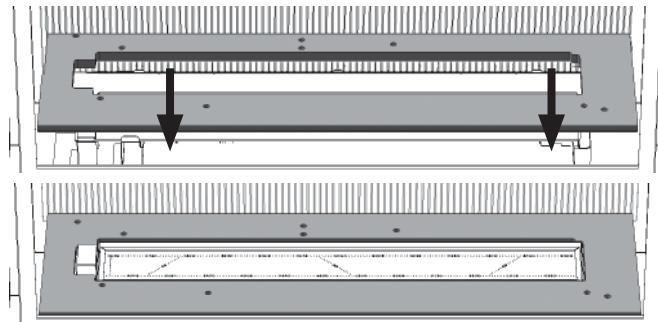
Rocks, Shale & Twigs

1. Place three rocks on the burner, one at each end and one in the middle as indicated. The rocks should not sit on top of the burner ports but can overhang slightly.

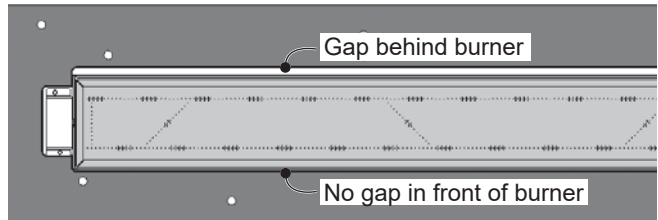
Note: Although these rocks can be installed after the shale is distributed, it is recommended to install them first to obtain a better flame display.

IMPORTANT: Use only the ceramic rocks, twigs and shale provided with your Valor fireplace. The use of any other types of rocks, twigs or shale may void your fireplace warranty.

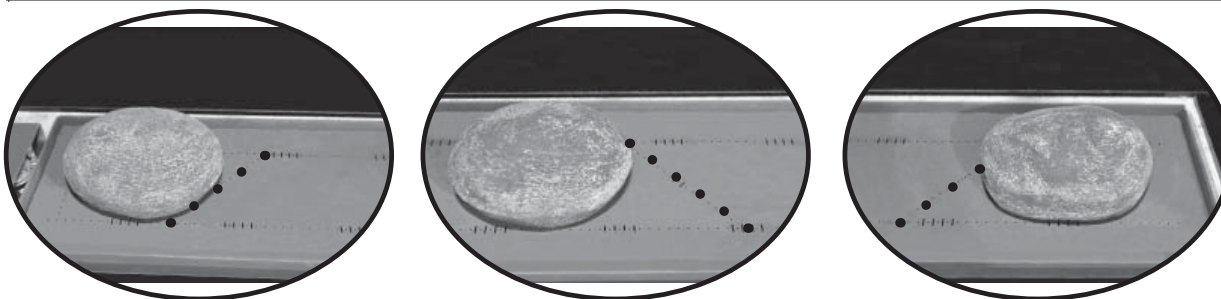
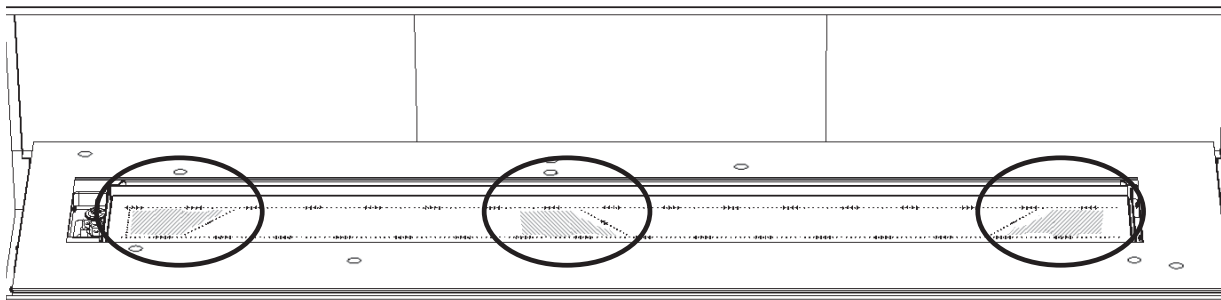
⚠ WARNING
CHOKING HAZARD! Ensure that the fireplace area is clear of shale pieces as these could be ingested by small children. Vacuum area after installation.



Installed platform



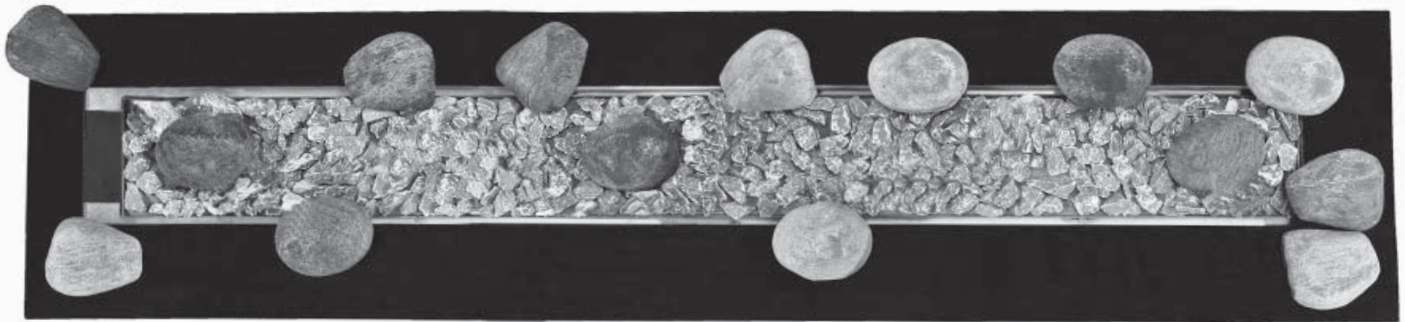
Top view—platform



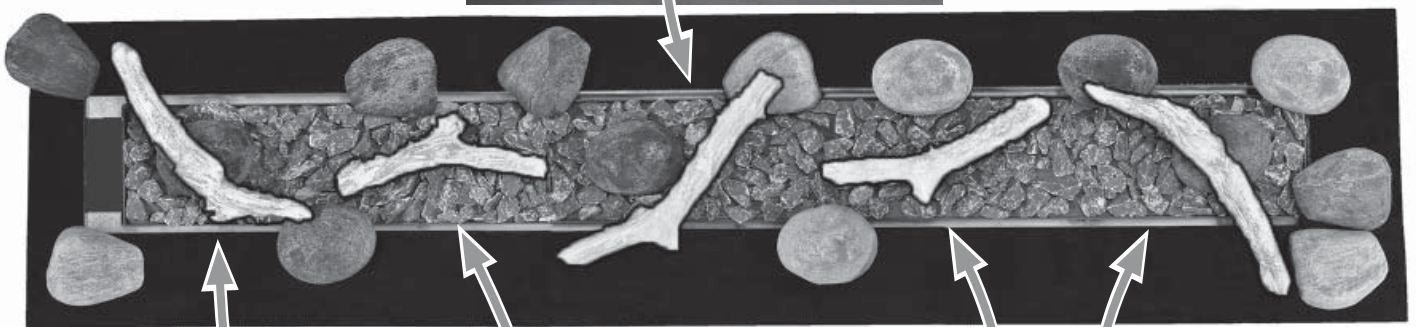
2. Mix the black and grey shale pieces and spread them in one layer thick on top of the burner around the three rocks. **Do not overfill!**



3. Install some of the rocks around the shale bed according to the image shown below.
Note: Some of the rocks may overhang slightly over the burner edge.



4. Add the twigs to the rocks placing them as shown.
Note: The position of the twigs are specific to obtain the best flame pattern.



5. Install the remaining rocks around the shale bed.
Do not put any rock on the pilot shield! Do not put more rocks on the shale! The acceptable variations are only for rocks installed on the black platform outside of the shale bed or pilot shield.



Suggested positions for additional rocks around shale bed

Install Split Wood Kit 1700SWK

Material required

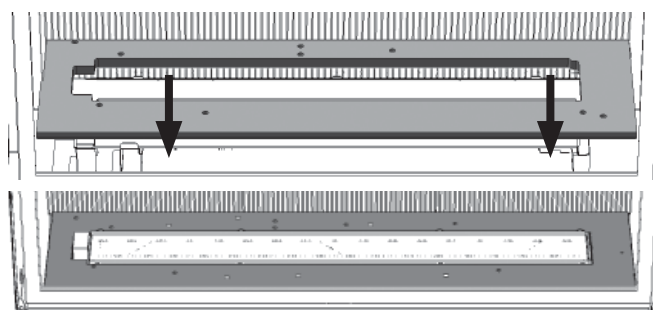
- Black steel platform (supplied with appliance)
- Split Wood Kit, which contains:
 - ◊ 1 bag of splinters
 - ◊ 1 bag of small embers
 - ◊ 11 logs

Installation

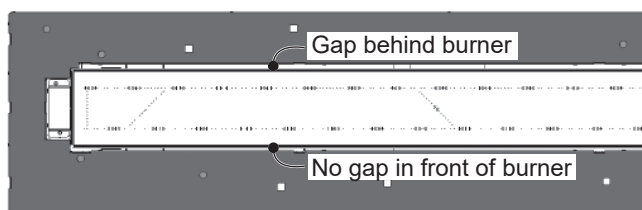
Platform

Carefully unpack the kit.

Install the steel platform around the burner as indicated. The openings in the platform should be underneath. Push the platform as far back as possible to maximize the air gap behind the burner.



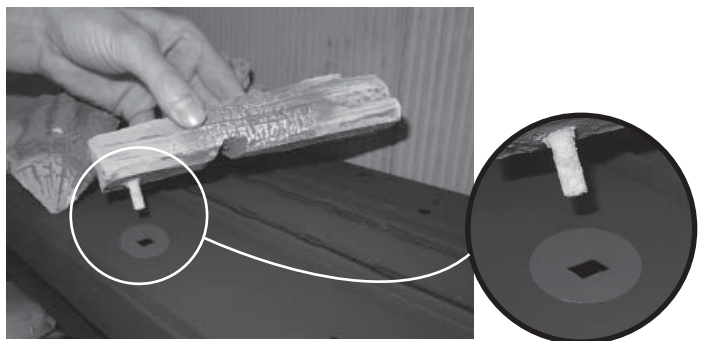
Installed platform



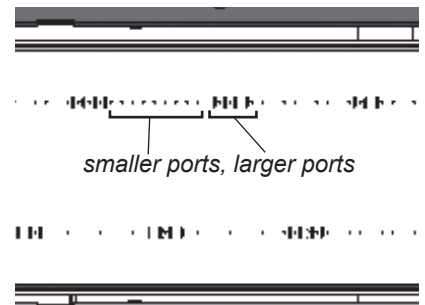
Top view—platform

Logs, embers & splinters

Some logs are marked with a number to facilitate the installation. Some logs also have positioning pins underneath which fit into the SQUARE holes in the platform.



Some logs straddle the burner; make sure they rest over the smaller burner ports rather than the larger ones.



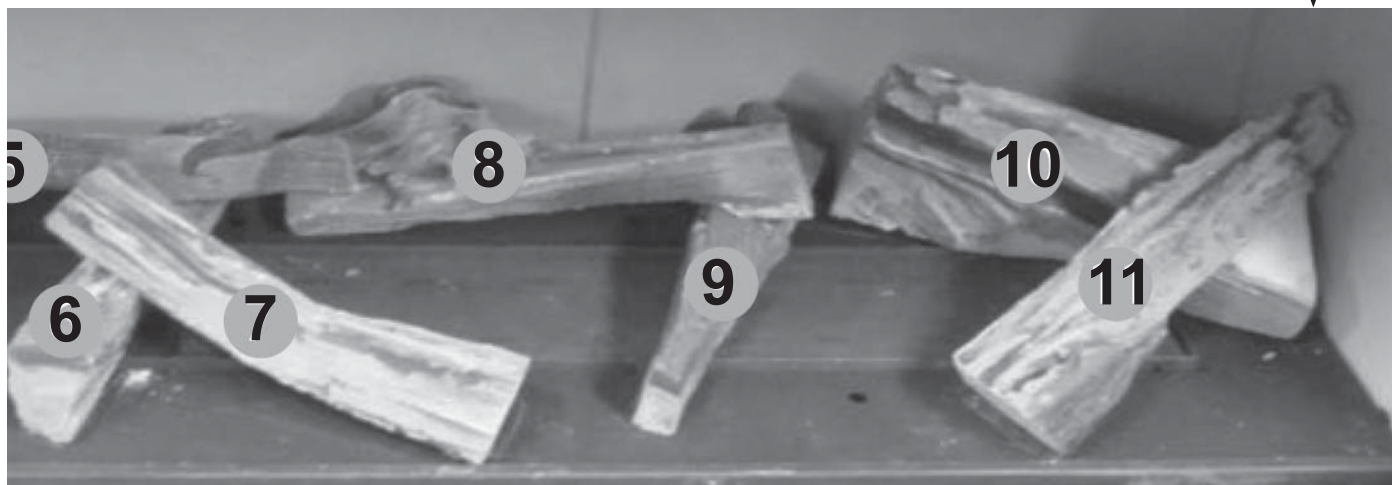
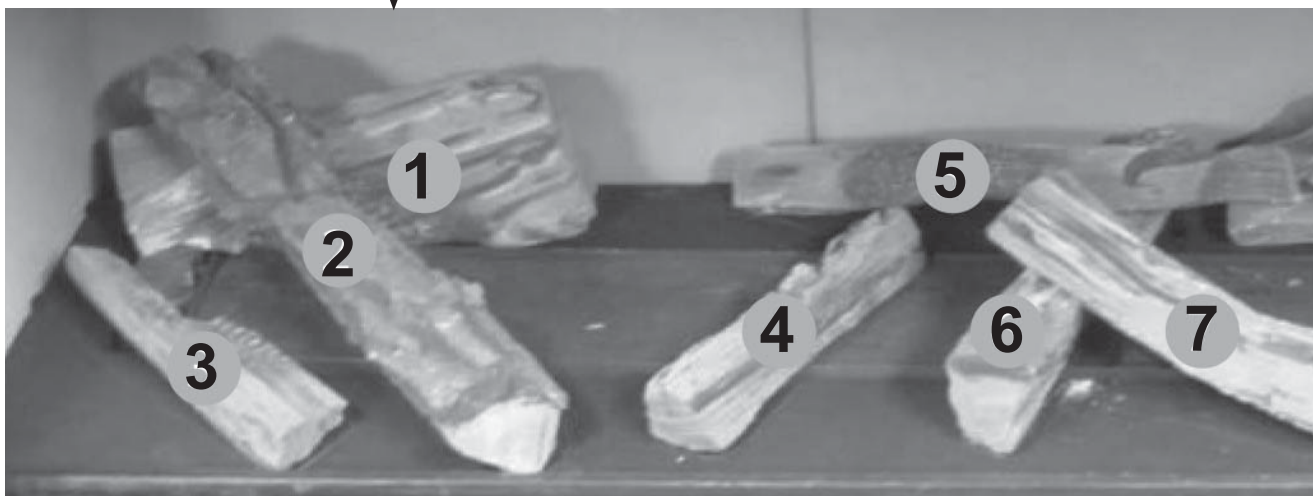
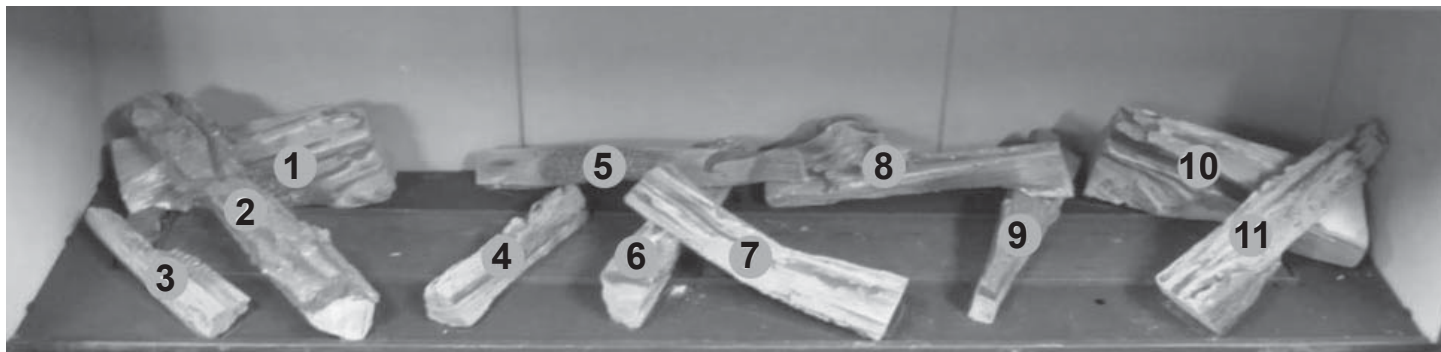
Installation

1. Install the logs according to the images below. Use the following order: log 1, 2, 3, 4, 6, 5, 7, 9, 8, 10 and 11.

Notes

- ◇ Log 1 overlaps slightly the pilot shield.
- ◇ Log 2 rests on notch of log 1.
- ◇ Log 3's narrow end rests on the pilot shield.
- ◇ Log 4 straddles the burner—rest it over the smaller burner ports.

- ◇ Log 6 straddles the burner—rest it over the smaller burner ports.
- ◇ Log 5 rests on rear notch of log 6.
- ◇ Log 7 rests on front notch of log 6.
- ◇ Log 9 straddles the burner—rest it over the smaller burner ports.
- ◇ Log 8 rests on the notch of log 9.
- ◇ Log 11 rests on notch of log 10.

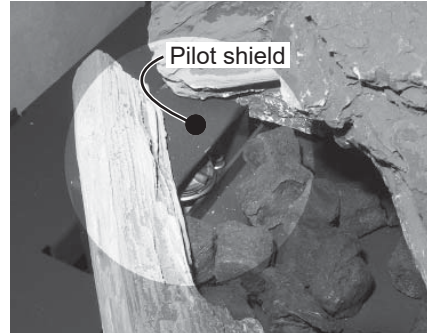


Installation

- Carefully spread the embers in a single layer on the surface of burner between the logs. **Do not pile up the embers to avoid blocking the burner ports.**



NOTE: Ensure the area *within* the pilot shield is clear of embers or splinters.



- Some embers may be added on the platform to cover the edge of the burner and the round holes.
- Spread some splinters to the embers.



1700SWK—Split Wood Kit intalled

IMPORTANT: Homologated for use only with the ceramic embers and splinters provided with your Valor fireplace. The use of any other products may void your fireplace warranty.

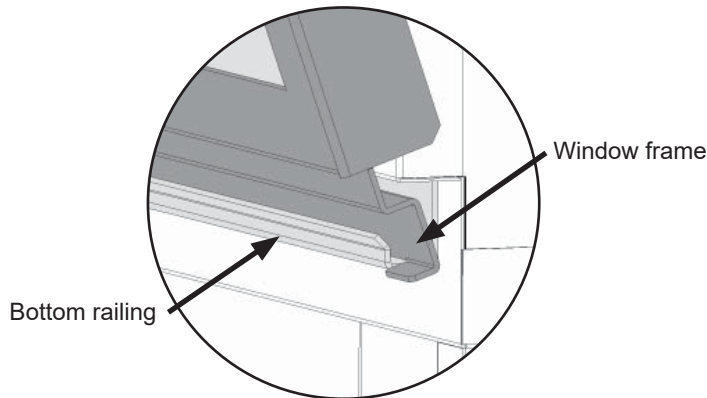
! WARNING

CHOKING HAZARD! Ensure that the fireplace area is clear of embers/splinters particles as these could be ingested by small children. Vacuum area after installation.

Installation

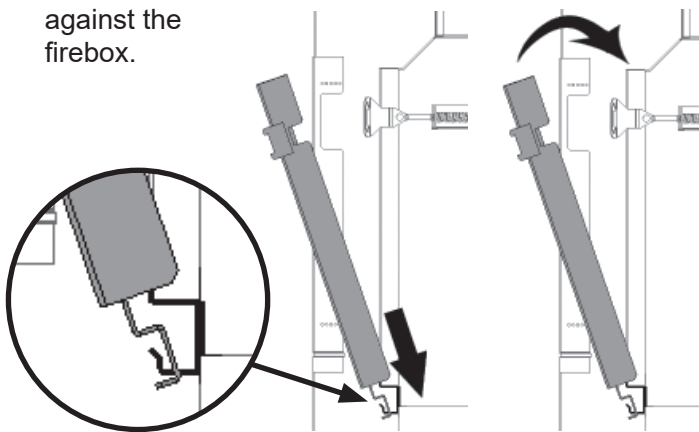
Refit Window

1. To refit the window, place it in its bottom railing.
Ensure there is no glass, vermiculite or shale particles in the bottom railing.

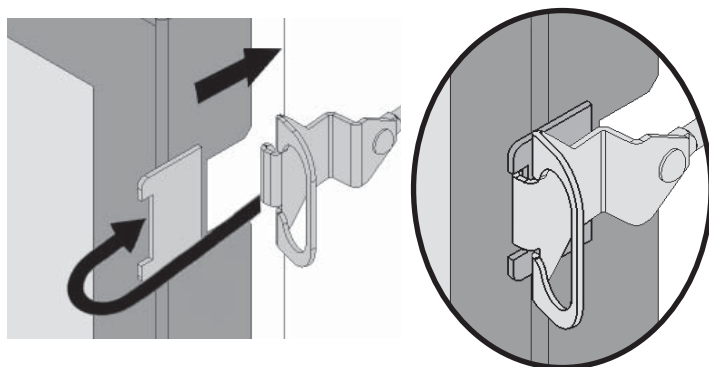


2. Push the top of the window frame against the firebox.

Section Views



3. While you hold it, pull the side levers back into the window brackets on each side.



4. Apply firm hand pressure around the window frame to ensure the window is sealed tight against the firebox.

⚠ DANGER

The window unit must be correctly installed, fastened and sealed after servicing or serious bodily injury and/or damage to the appliance may result.

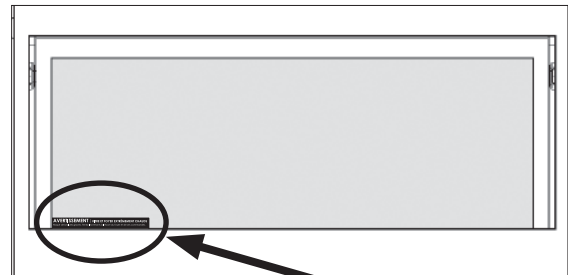
To ensure a safe operation:

- Double-check that the bottom of the window frame is correctly installed in the bottom support railing;
- Verify that the levers are hooked properly to the window tabs then;
- Pull out the top of the window and release it to insure the springs return it;
- Ensure the window is sealed before operation.

⚠ WARNING

Failure to install the window correctly can leak carbon monoxide, affect the performance of the fireplace, damage components, cause overheating resulting in dangerous conditions. Damage caused by incorrect window installation is not covered by the Valor warranty.

5. If the Hot Glass Warning plate has been removed from the front lower corner of the window, reinstall it by sliding it between the glass and the frame as indicated.



! WARNING: EXTREMELY HOT GLASS AND FIREPLACE
Risk of severe burns. Keep Children away from fireplace & controls.
AVERTISSEMENT : VITRE ET FOYER EXTREMEMENT CHAUDS
Risque de brûlures graves. Tenir les enfants à l'écart du foyer et des commandes.



Hot Glass Warning Plate

Installation

Install Remote Battery and Wall Switch Kit RBWSK (required)

The Remote Battery and Wall Switch Kit is provided with this appliance. It is connected to the receiver in the fireplace.

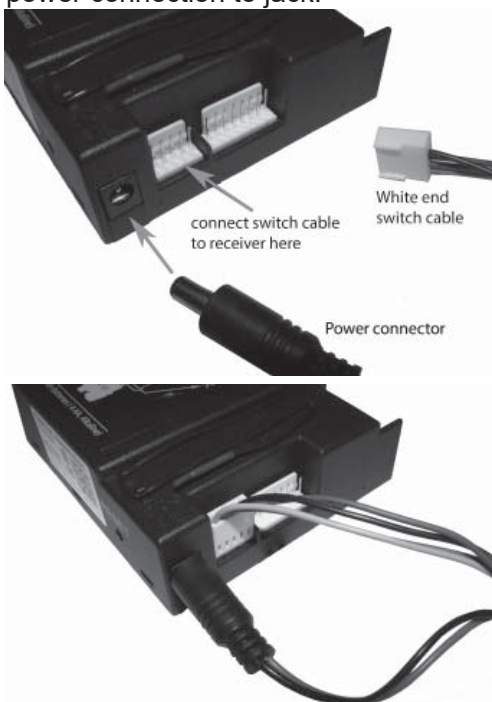
Material required

- 4 AA 1.5V alkaline batteries supplied with the engine
- Remote Battery and Wall Switch Kit, which contains:
 - ◇ 1 Wall Switch
 - ◇ 2 Screws
 - ◇ 1 Battery Holder
 - ◇ 1 Plate with magnets
 - ◇ 1 Battery Cover assembly
 - ◇ 1 Harness assembly - 35 ft
 - ◇ 1 Junction Box
 - ◇ 1 Cover plate and Screws
 - ◇ 1 Cable tie

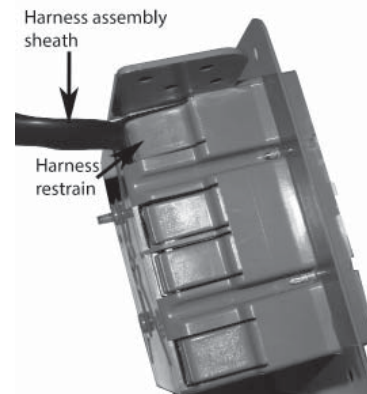
Installation

The receiver is located on the left side of the appliance, left of the control valve behind the appliance's front panel. It is maintained in position with *Velcro* bands.

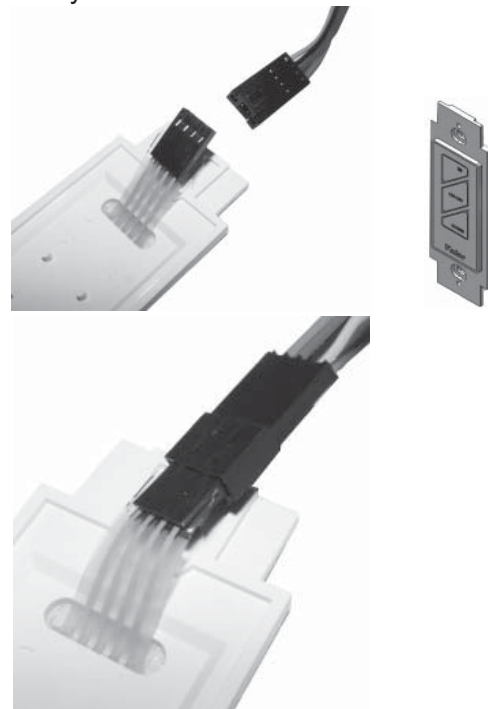
1. Pull out the receiver from its location to connect the battery holder and wall switch.
2. Feed the 'white connector end' of the harness assembly through side holes in fireplace liner body to receiver. Ensure sufficient harness length to allow for removal of receiver. Note - coil up any extra harness at fireplace end.
3. Connect switch to auxillary 5-pin junction and power connection to jack.



4. Run harness assembly to mounted position of junction box, securing harness to framing using insulated staples (not included)
5. Feed harness assembly through a restrain on rear of junction box, feeding through until harness sheath is pinched by retainer and providing sufficient length to make connection to rear of switch and battery holder.



6. Secure junction box to the mounting surface using appropriate fasteners (not included)
7. Align molex connection on switch cable of harness assembly and connect to switch.

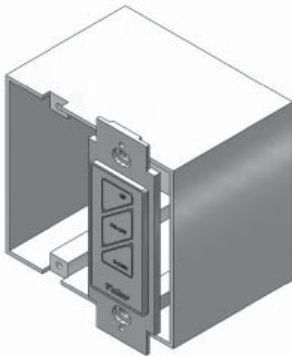


CAUTION

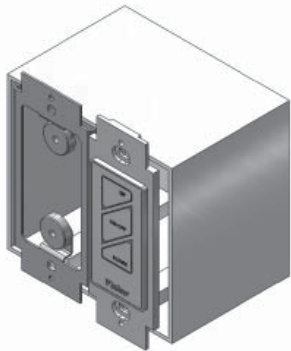
Do not run the switch wire over the top of the firebox. Route the wire so it does not contact the firebox.

Installation

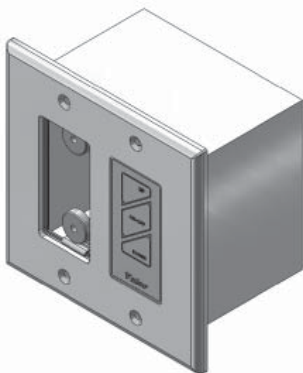
8. Mount switch plate to junction box with 2 screws provided note: switch position left or right to suit homeowner wishes.



9. Locate and secure magnet plate using 2 'long' screws provided

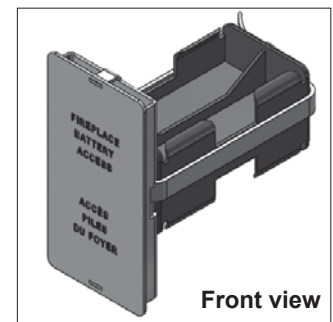
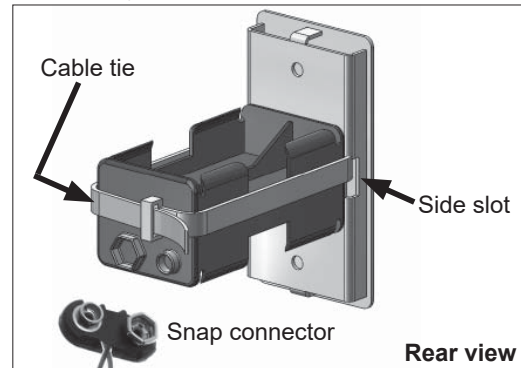


10. Place and secure cover plate to box using 4 screws provided



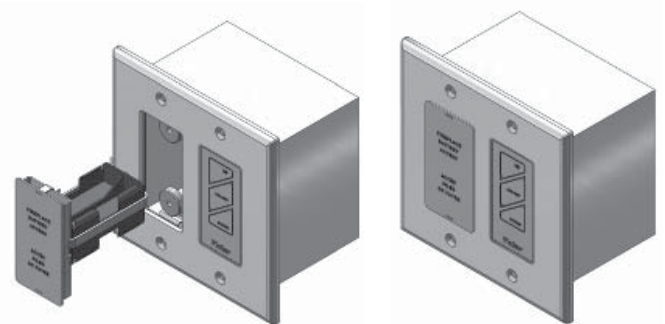
11. Feed cable tie through the 2 side slots of battery cover assembly.

12. Position battery holder to rear face and secure together with cable tie. note clearance is required for battery snap connection.



13. Make the snap connection, load 4 AA alkaline batteries into holder (included with fireplace) then feed back into junction box assembly.


Note: Do not put batteries in the receiver, only in the battery holder by the wall switch.



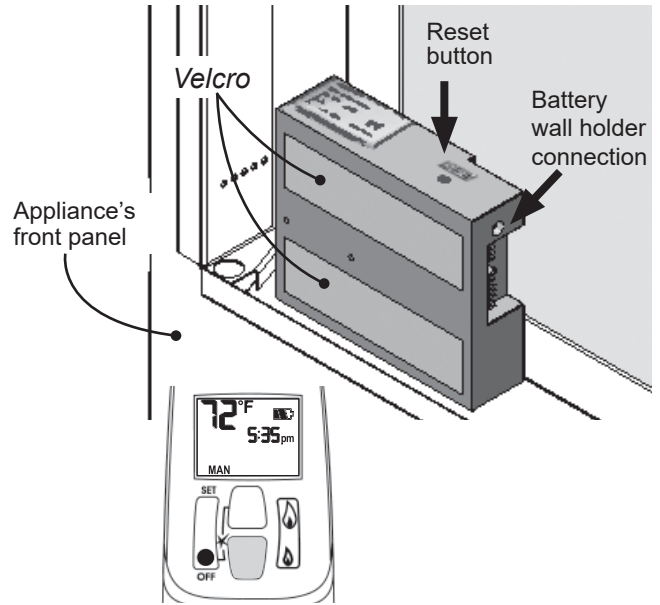
14. Test the operation of the wall switch—see page 13.

Synchronize Remote Control

The receiver and the handset of the remote control system must be initially synchronized before the first use.

1. Insert one 9 V **alkaline** battery in the handset.
2. Locate the Reset button on the top side of the receiver.
3. With a sharp object, press and hold the receiver's reset button until you hear one short and one long beeps. Release the reset button after the second beep.
4. Within the subsequent 20 seconds, press the (small flame button ()) on the remote handset until you hear two short beeps confirming the synchronization is set.

This is a one time setting only and is not required when changing the batteries in the remote battery holder. The remote control system is now ready to use.



Check Operation

Turn the fireplace flame up and down using the remote control to confirm that the full range of inputs is achieved—see the remote control operation instructions on pages 8–12.

Set Aeration (if necessary)

Light the fire and allow the unit to warm up for 11–15 minutes to evaluate the flame picture. The burner is equipped with an adjustable shutter to control primary aeration (natural gas only). The shutter is factory-set to an aeration gap which will give optimum performance for the vast majority of installations.

Depending of the fuel bed used, altitude and other considerations, the flame picture may be improved by adjusting the aeration. The need for adjustment should

be determined only by operating the appliance with the fuel bed, panels and window installed and evaluating the flame picture after a 15-minute warm-up.

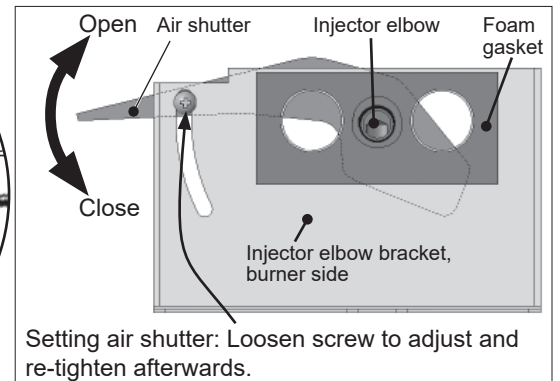
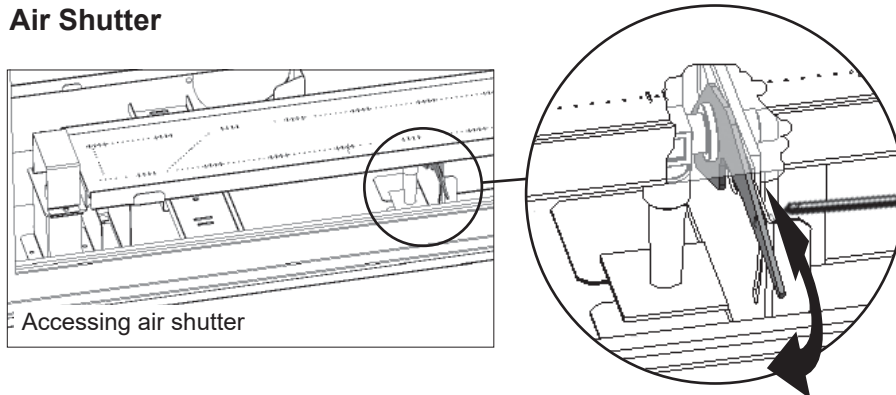
Increasing aeration will cause the flames to appear more transparent and blue showing more ceramic effects glow.

Decreasing aeration will cause the flames to appear more yellow or orange showing less ceramic effects glow.

Too little aeration may result in black carbon forming and dropping into the firebox.

To access the air shutter, remove the front middle platform as indicated. The air shutter is located under the burner as shown in the illustrations. Loosen the air shutter screw, adjust and re-tighten.

Air Shutter



Install Trim and Barrier Screen

Install the trim chosen by the customer for their fireplace. Install as well the barrier screen which is provided with the trim.

Show the customer how to remove the barrier screen to access the controls.

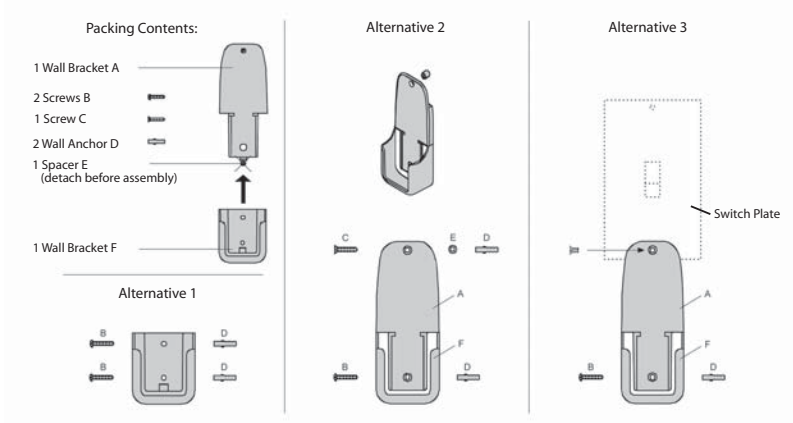
Follow the instructions provided with the trim and leave those instructions behind for the customer's further reference.

Install Remote Control Handset Wall Holder

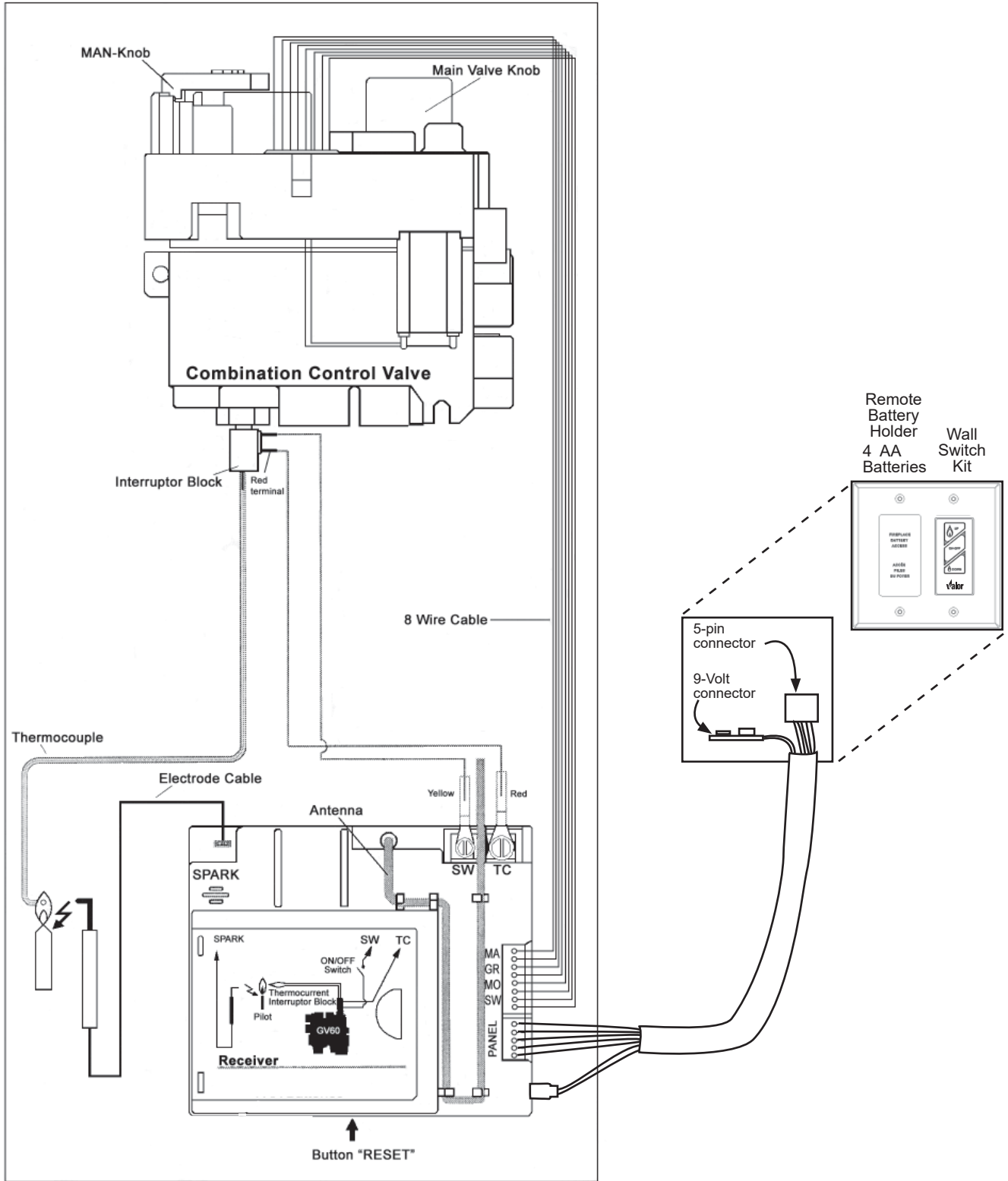
The remote control kit for this fireplace comes complete with a wall-mounted holder. This holder is not required in all installations but is provided as an optional feature for those customers who wish to mount the remote handset to the wall.

To install the holder to the wall, find a convenient location and use the hardware provided with the kit. See the diagram below for required hardware and configurations. Note that the holder can be installed at the base of a light switch plate.

IMPORTANT. The location of the remote control handset is important to assure proper temperature regulation. To obtain a constant temperature, we recommend that the handset should be between 3 and 15 feet away from the appliance **but not directly above it**. We also advise that the handset should be located away from any other heat source and not in direct sunlight as this may affect the temperature sensor located in the remote handset.





Wiring Diagram



GV60 Wiring Diagram

Approved Venting Components

Approved Direct Vent Suppliers for Valor Models 1100 ⁷ , 1150 ⁷ , 1400, 1500, 1600 ⁵ and 1700 ⁶											
  Venting Parts Description		Venting Parts Code / availability by Manufacturer							BDM		
		DURA-VENT	SELKIRK	ICC EXCEL DIRECT	SECURE VENT	RLH INDUSTRIES	AMERIVENT	MILES INDUSTRIES			
Termination Caps	Horizontal	Standard Co-axial	46DVA-HC	4DT-HC	TM-4HT	—	—	4DHC round	658DVK2	940160	
		Deluxe Co-axial	—	—	TM-4DHT	—	—	4DHCS square	—	940160	
		High Wind Co-axial	—	—	—	SV4CHC	—	—	—	—	
	Vertical	Standard Co-axial	46DVA-VC	4DT-VT	TM-4VT	—	HSDV4658-1313	4DVC	—	940264	
								4DH-1313		940364	
								—		940206LP	
		High Wind Co-axial	46DVA-VCH	—	—	SV4CGV	—	—	—	—	
		Extended Co-axial	46DVA-VCE	—	—	—	—	—	—	—	
		Co-linear	46DVA-CL33 46DVA-CL33H 46DVA-CL34 46DVA-33P 46DVA-CL34P	—	—	3PDVCV	—	HS-C33U-99 HS-C33F-1313	HCL-99-33	559CLT	940033B
									HCL-913-33		940034B
HCL-1313-33	940033HWS										
—	940033RD										
Snorkel, 14" Rise	46DVA-SNK14	4DT-ST14	TM-4ST14	—	—	—	4D14S	—	94040614		
Snorkel, 36" Rise	46DVA-SNK36	4DT-ST36	TM-4ST36	—	—	—	4D36S	—	94040636		
Vent Adapters / Couplers	Universal Adapter 3" Flex Coupler	2150	—	TM-CFAA3	—	—	—	—	95090390		
	Co-linear Flex Connector	46DVA-ADF	—	—	—	—	—	—	—		
	Co-axial-to-Co-linear Adapter	46DVA-GCL ⁶	—	TM-4CAA ⁶	—	—	4DCAB33 ⁶	1156CLA ^{5, 6}	940106433 ⁶		
	Co-linear-to-Co-axial Adapter	46DVA-GK	—	TM-4CTA	—	—	4DCAT33	—	—		
	DV to B-Vent Adapter	—	—	—	—	—	—	DVA5BV ⁷	—		
Aluminum Flexible Liner	3" or 4" diameter	NOTE: 2-ply liner approved to CAN/ULC S635 suitable for venting gas appliances. As manufactured by Z-Flex, Flexmasters or others.									
		2280 Series	AF3-35L	—	—	—	—	—	—	952703 952704	
Adjustable Pipe Length and Pipe Extensions 4" x 6-5/8"	Galvanized or Black	46DVA-08A 46DVA-08AB (3" to 7")	4DT-ADJ 4DT-ADJ(B)	—	—	—	—	4D7A or 4D7AB (3" to 5")	—	94610608 (4" to 8-1/2")	
		46DVA-16A 46DVA-16AB (3" to 14-1/2")	—	—	—	SV4LA SV4LBA	—	4D12A or 4D12AB (3" to 10")	—	94610616 (4" to 16")	
	Galvanized or Black	46DVA-17TA 46DVA-17TAB (11" to 17")	—	—	TC-4DLT	SV4LA12	—	4D16A or 4D16AB (3" to 14")	—	—	
					TC-4DLTB	SV4LBA12					
	Galvanized or Black	46DVA-24TA 46DVA-24TAB (17" to 24")	—	—	—	SV4LA24 SV4LBA24	—	4D26A or 4D26AB (3" to 24")	—	—	
	Coaxial Flex	46DVA-48FF 46DVA-120FF	—	—	—	—	—	—	—	—	
DV 45° Elbows	Galvanized	46DVA-E45	—	TE-4DE45	—	—	—	4D45L	—	94620645	
	Black	46DVA-E45B	—	TE-4DE45B	SV4EBR45	—	—	4D45LB	—	94620645B	
	Galvanized Swivel	—	4DT-EL45	—	SV4E45	—	—	—	—	—	
	Black Swivel	—	4DT-EL45(B)	—	SV4EB45	—	—	—	—	—	
DV 90° Elbows	Galvanized	46DVA-E90	—	TE-4DE90	—	—	—	4D90L	—	—	
	Black	46DAV-E90B	—	TE-4DE90B	SV4EBR90	—	—	4D90LB	—	—	
	Galvanized Swivel	—	4DT-EL90	—	SV4E90	—	—	—	—	94620690	
	Black Swivel	—	4DT-EL90(B)	—	SV4EB90	—	—	—	—	94620690B	

Approved Venting Components

Venting Parts Description			Venting Parts Code / availability by Manufacturer							
			DURA-VENT	SELKIRK	ICC EXCEL DIRECT	SECURE VENT	RLH INDUSTRIES	AMERIVENT	MILES INDUSTRIES	BDM
Pipes 4" x 6 5/8" (ID x OD)	6" long	Galvanized	46DVA-06	4DT-06	TC-4DL6	SV4L6	—	—	—	94610606
		Black	46DVA-06B	4DT-06(B)	TC-4DL6B	SV4LB6	—	—	—	90410606B
	7" long	Galvanized	—	—	—	—	—	4D7	—	—
		Black	—	—	—	—	—	4D7B	—	—
	9" long	Galvanized	46DVA-09	4DT-09	—	—	—	—	—	94610609
		Black	46DVA-09B	4DT-09(B)	—	—	—	—	—	94610609B
	12" long	Galvanized	46DVA-12	4DT-12	TC-4DL1	SV4L12	—	4D12	—	94610612
		Black	46DVA-12B	4DT-12(B)	TC-4DL1B	SV4LB12	—	4D12B	—	94610612B
	18" long	Galvanized	46DVA-18	4DT-18	—	—	—	—	—	94610618
		Black	46DVA-18B	4DT-18(B)	—	—	—	—	—	94610618B
	24" long	Galvanized	46DVA-24	4DT-24	TC-4DL2	SV4L24	—	4D2	—	94610624
		Black	46DVA-24B	4DT-24(B)	TC-4DL2B	SV4LB24	—	4D2B	—	94610624B
	36" long	Galvanized	46DVA-36	4DT-36	—	SV4L36	—	4D3	—	94610636
		Black	46DVA-36B	4DT-36(B)	—	SV4LB36	—	4D3B	—	94610636B
	48" long	Galvanized	46DVA-48	4DT-48	TC-4DL4	SV4L48	—	4D4	—	94610648
		Black	46DVA-48B	4DT-48(B)	TC-4DL4B	SV4LB48	—	4D4B	—	94610648B
Flashings	Roof Flashing 0/12-6/12		46DVA-F6	4DT-AF6	TF-4FA	SV4FA	—	4DF (0/12-5/12)	—	949606012
	Roof Flashing 7/12-12/12		46DVA-F12	4DT-AF12	TF-4FB	SV4B	—	4DF12 (6/12-12/12)	—	949606712
	Flat Roof Flashing		46DVA-FF	—	TF-4F	SV4F	—	—	559FSK	949606001
	Masonry Flashing		—	—	TF-4MF	—	—	—	—	—
	New Siding Flashing		—	—	—	—	—	—	658NSFK	—
Various Venting System Parts	Wall Thimble		46DVA-WT	4DT-WT	TM-4WT	SV4RSM	—	4DWT	—	949064U
	Storm Collar		46DVA-SC	4DT-SC	TM-SC	SV4AC	—	4DSC	—	94960608
	Decorative Plate		46DVA-DC	4DT-CS	TM-4TR	SV4PF	—	4DFPB	—	94940612
	Cathedral Ceiling Support		46DVA-CS	4DT-CCS	—	—	—	4DRSB	—	949506KT
	Ceiling Firestop / Floor Support		46DVA-FS	4DT-FS	TM-CS	SV4BF SV4SD	—	4DFSP	—	94980612
	Attic Radiation Shield / Firestop		—	—	TM-4AS	—	—	4DAIS12 (12") 4DAIS36 (36")	—	94930620A
	Wall Strap		46DVA-WS	4DTWS	TM-WS	—	—	4DWS	—	949164
	Vinyl Siding Standoff		46DVA-VSS	4DT-VS	TM-VSS	SV4VS	—	4DHVS	—	94800615S
	Elbow Strap / Offset Support		46DVA-ES	4DT-OS	TM-OS	—	—	—	—	949264
	Terminal Guard		46DVA-WG	—	—	—	—	—	845TG 658TG	940164SHRD

- Notes:**
- Follow instructions supplied with each manufacturer's components.
 - Unless otherwise specified, all the parts and assemblies from the above table are to be used with 4" x 6-5/8" pipes.
 - Do not mix components from different vent manufacturers.**
 - Termination caps manufactured by RLH Industries or American Metal Products are from Homestyle Chimney Collection and can be ordered in one of the following finishes: a) aluminium; b) black powder coated; c) solid copper.
 - Miles Industries Valor Co-linear adapter 1156CLA cannot be used with models 1600. Use only with models 1100, 1150, 1400, 1500 and 1700.
 - Only Miles Industries Valor Co-linear adapter 1156CLA can be used with models 1700.
 - The DVA5BV DV to BV adapter can ONLY be installed on the 1100/1150 models.

State of Massachusetts Carbon Monoxide Detector/Vent Terminal Signage Requirements

For all side wall horizontally vented gas fueled equipment installed in every dwelling, building or structure used in whole or in part for residential purposes, including those owned or operated by the Commonwealth and where the side wall exhaust vent termination is less than seven (7) feet above finished grade in the area of the venting, including but not limited to decks and porches, the following requirements shall be satisfied:

1. INSTALLATION OF CARBON MONOXIDE

DETECTORS. At the time of installation of the side wall horizontal vented gas fueled equipment, the installing plumber or gas fitter shall observe that a hard wired carbon monoxide detector with an alarm and battery back-up is installed on the floor level where the gas equipment is to be installed. In addition, the installing plumber or gas fitter shall observe that a battery operated or hard wired carbon monoxide detector with an alarm is installed on each additional level of the dwelling, building or structure served by the side wall horizontal vented gas fueled equipment. It shall be the responsibility of the property owner to secure the services of qualified licensed professionals for the installation of hard wired carbon monoxide detectors.

a. In the event that the side wall horizontally vented gas fueled equipment is installed in a crawl space or an attic, the hard wired carbon monoxide detector with alarm and battery back-up may be installed on the next adjacent floor level.

b. In the event that the requirements of this subdivision can not be met at the time of completion of installation, the owner shall have a period of thirty (30) days to comply with the above requirements; provided, however, that during said thirty (30) day period, a battery operated carbon monoxide detector with an alarm shall be installed.

2. APPROVED CARBON MONOXIDE DETECTORS.

Each carbon monoxide detector as required in accordance with the above provisions shall comply with NFPA 720 and be ANSI/UL 2034 listed and IAS certified.

3. **SIGNAGE.** A metal or plastic identification plate shall be permanently mounted to the exterior of the building at a minimum height of eight (8) feet above grade directly in line with the exhaust vent terminal for the horizontally vented gas fueled heating appliance or equipment. The sign shall read, in print size no less than one-half (1/2) inch in size, "GAS VENT DIRECTLY BELOW. KEEP CLEAR OF ALL OBSTRUCTIONS".

4. **INSPECTION.** The state or local gas inspector of the side wall horizontally vented gas fueled equipment shall not approve the installation unless, upon inspection, the inspector observes carbon monoxide detectors and signage installed in accordance with the provisions of 248 CMR 5.08(2)(a)1 through 4.

(b) **EXEMPTIONS:** The following equipment is exempt from 248 CMR 5.08(2)(a)1 through 4:

1. The equipment listed in Chapter 10 entitled "Equipment Not Required To Be Vented" in the most current edition of NFPA 54 as adopted by the Board; and
2. Product Approved side wall horizontally vented gas fueled equipment installed in a room or structure separate from the dwelling, building or structure used in whole or in part for residential purposes.

(c) MANUFACTURER REQUIREMENTS - GAS EQUIPMENT VENTING SYSTEM PROVIDED.

When the manufacturer of Product Approved side wall horizontally vented gas equipment provides a venting system design or venting system components with the equipment, the instructions provided by the manufacturer for installation of the equipment and the venting system shall include:

1. Detailed instructions for the installation of the venting system design or the venting system components; and
2. A complete parts list for the venting system design or venting system.

(d) MANUFACTURER REQUIREMENTS - GAS EQUIPMENT VENTING SYSTEM NOT PROVIDED.

When the manufacturer of a Product Approved side wall horizontally vented gas fueled equipment does not provide the parts for venting the flue gases, but identifies “special venting systems”, the following requirements shall be satisfied by the manufacturer:

1. The referenced “special venting system” instructions shall be included with the appliance or equipment installation instructions; and
2. The “special venting systems” shall be Product Approved by the Board, and the instructions for that system shall include a parts list and detailed installation instructions.

(e) A copy of all installation instructions for all Product Approved side wall horizontally vented gas fueled equipment, all venting instructions, all parts lists for venting instructions, and/or all venting design instructions shall remain with the appliance or equipment at the completion of the installation.

Warranty

THIS WARRANTY DOES NOT APPLY TO OUTDOOR INSTALLATIONS—SEE WARRANTY SUPPLIED WITH GV60CKO OUTDOOR KIT.

If you have a problem with this unit, please contact your dealer or supplier immediately. Under no circumstances should you attempt to service the unit in any way by yourself. The warranties in paragraphs 1 and 2 are provided only to the initial owner of this unit, are not transferable and are subject to the conditions and limitations in paragraphs 3, 4 and 5. Please review the conditions and limitations carefully and strictly follow their requirements.



1. Extended Warranty Coverage

For a period of up to ten (10) years, Miles Industries Ltd., (the “Company”) or its appointed distributor will at its option pay the initial owner for the repair of, or will exchange the following parts or components which are found to be defective in material or workmanship under normal conditions of use and service:

Part or Component	Defect Covered	Maximum Warranty Period
Exterior steel casing	Corrosion	10 years
Glass	Loss of structural integrity	10 years
Cast iron parts	Corrosion	10 years
Firebox and heat exchanger	Corrosion (but not discoloration) causing loss of structural integrity	10 years

2. Two-Year Parts Warranty

In addition, for two (2) years from the date of purchase, the Company, at its option, can repair or exchange all parts and components not listed above but that are found to have a *bona fide* defect in material or workmanship under normal conditions of use.

3. Conditions and Limitations

- a) The warranty registration card must be completed by the initial owner and returned to the Company within 90 days of purchase. Alternatively, the warranty registration form may be filled out online at www.valorfireplaces.com.
- b) Installation and maintenance must be performed by an authorized and trained dealer in accordance with the Company’s installation instructions.
- c) This warranty is void where installation of the unit does not conform to all applicable codes including national and local gas appliance installation codes and building and fire codes.
- d) The owner must comply with all operating instructions.
- e) The Company is not responsible for the labor costs to remove defective parts or re-install repaired or replacement parts.
- f) The initial owner of the unit will be responsible for any shipping charges for replacement parts as well as travel time incurred by the dealer to perform the warranty work.
- g) This warranty applies to non-commercial use and service and is void if it is apparent that there is abuse, misuse, alteration, improper installation, accident or lack of maintenance to the unit.
- h) This warranty does not cover damage to the unit due to:
 - i) Improper installation, operational or environmental conditions.
 - ii) Inadequate ventilation in the area or competition for air from other household equipment or appliances.
 - iii) Chemicals, dampness, condensation, or sulphur in the fuel supply lines which exceeds industry standards.
- i) This warranty does not cover glass, log breakage or damage to the unit while in transit.
- j) The Company does not allow anyone to extend, alter or modify this warranty and assumes no responsibility for direct, indirect or consequential damages caused by the unit. State or provincial laws where the first purchaser or user resides may provide specific rights to extend this warranty and, if so, the Company’s sole obligation under this warranty is to provide labor and/or materials in accordance with those laws.

4. Discharge of Liability

After two (2) years from the date of purchase, the Company may, at its option, fully discharge all obligations under this warranty by paying to the first owner the wholesale price of any defective parts.

5. No Other Warranty

All obligations to repair this unit are defined in this warranty. Some states or provinces may specifically mandate additional warranties on the part of manufacturers, but in the absence of such specific legislation, there is no other warranty or obligation expressed or implied.

Spare Parts

	Description	Part No.
1	Heat shield	4003049
2	45 degrees flanged elbow	0945M
3	Elbow gasket	4002999
4	Top stand-offs (2)	4005408
5	Restrictor plate	4003017
6	Take-off cover (2)	4003046
7	Liner panels anchors (2)	4001283
8	LH Window latch assembly	4002770
9	RH Window latch assembly	4002766
10	Top panel support	4002963
11	Cable hole cover	4003038
12a	Air deflector LH	4003308
12b	Air deflector RH	4003492
13	Window assembly	4003567
13a	Hot glass warning plate	4003093
14	Black metal platform	4004138AH
15	Burner	4003589
16	Platform supports (2)	4002908
17	Burner end location bracket	4002903
18	Burner module assembly (natural gas)	4003747
	Burner module assembly (propane gas)	4003748
19	Pilot shield	4003018AH
20	Pilot assembly (natural gas)	4000727
	Pilot assembly (propane gas)	4000728
21	Thermocouple	4000061
22	Pilot injector #51 (natural gas)	4000735
	Pilot injector #30 (propane gas)	4000736
23	Pilot tube	4000732
24	Pilot hood 2-flame	4000730
25	Extended nut	4001855
26	Electrode	4001856
27	Pilot mount	4002901
28	Burner location bracket	4002902
29	Injector elbow 82-1000 (natural gas)	4003985
	Injector elbow DMS#50 (propane gas)	4004145
30a	Air shutter (natural gas)	4002907
30b	Anti-flashback shield (propane gas)	4006503
31	Injector bracket	4002899
32	Burner gasket (air shutter)	4002906
33	Gasket silicone	620C016
34	Pilot sealing plate	4002910

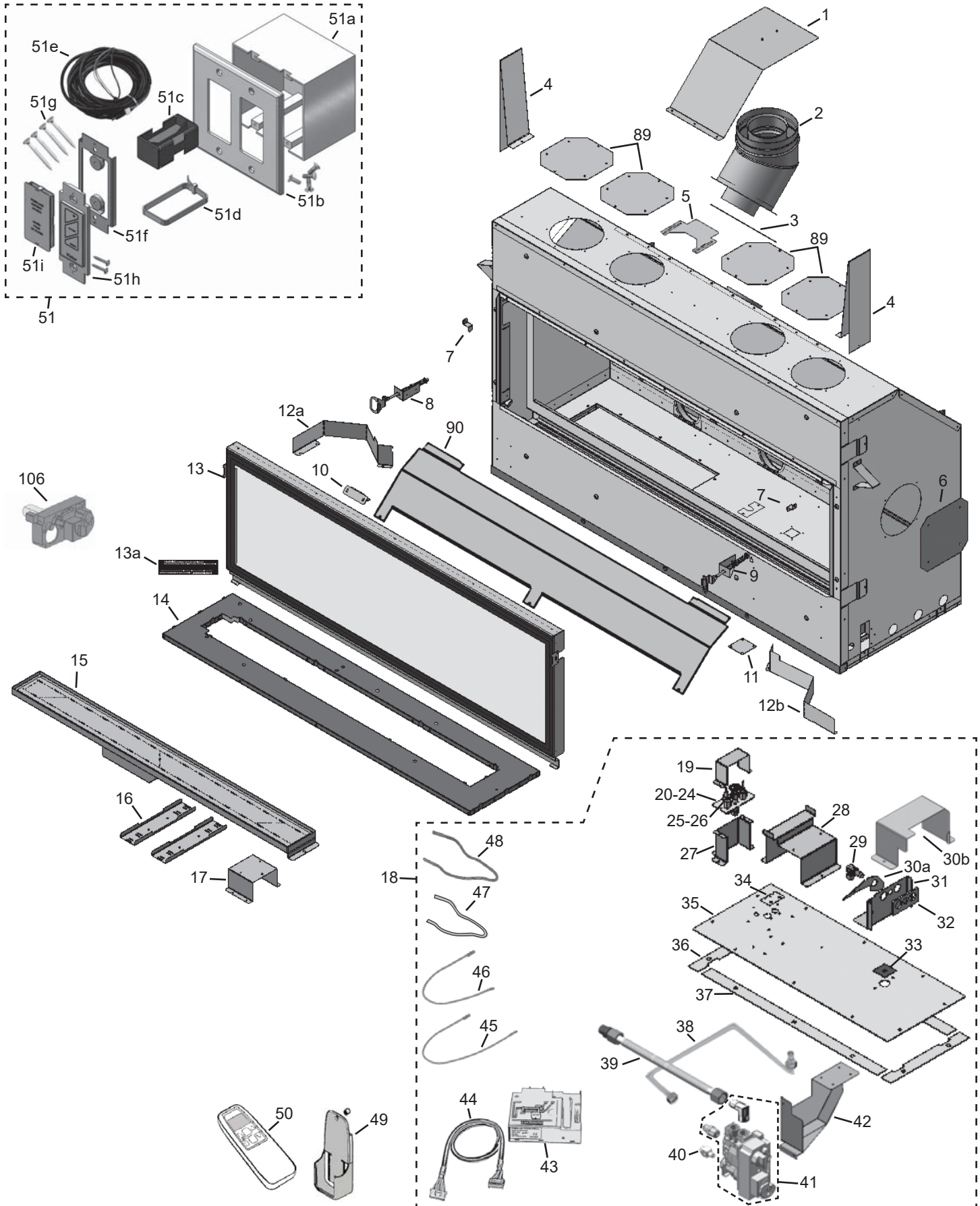
	Description	Part No.
35	Burner module plate	4002775
36	Gaskets module plate, short (2)	3000399
37	Gaskets module plate, long (2)	3000400
38	Valve to elbow pipe assembly	4003749
39	Pipe s/s flex	4000345
40	Thermocouple interrupter	4001037
41	GV60 valve assembly (natural gas)	4003986X
	GV60 valve assembly (propane gas)	4003987X
42	Valve mount	4002905
43	Receiver G6R-R3AM-ZV (CP)	4001911
44	Wire harness GV60	4001187
45	Yellow cable to interrupter	4002096
46	Red cable to interrupter	4001035
47	Ignition cable sleeve 530 mm	4002244
48	Ignition cable 500 mm	4001039
49	Handset wall holder	9000008
50	Handset G6R H3T5-ZV (BJ)	4001910
51	Remote battery & Wall switch kit	RBWSK
51a	Junction box	4005527
51b	Cover plate & 4 screws	4005526
51c	Battery holder	4005525
51d	Cable tie	4005524
51e	Harness assembly	4005523
51f	Plate with magnets	4005391
51g	Long screws (2)	4001444
51h	Wall switch with 2 screws	4005522
51i	Battery cover assembly	4005390
52	Liner panels - complete set	
	Fluted Black Liners	1715FBL
	Reflective Glass Liners	1725RGL
	Limestone Liners	1735LML
53	Rear panel	
	Fluted Black - centre panel only	4003955
	Glass (3)	4004275
	Limestone - centre panel only	4005893G
53a	Rear panel	
	Fluted Black - sides (2)	4003727
	Glass	-
	Limestone - sides (2)	4005892G
54	LH side panel	
	Black	4003071
	Glass	4004273

Spare Parts

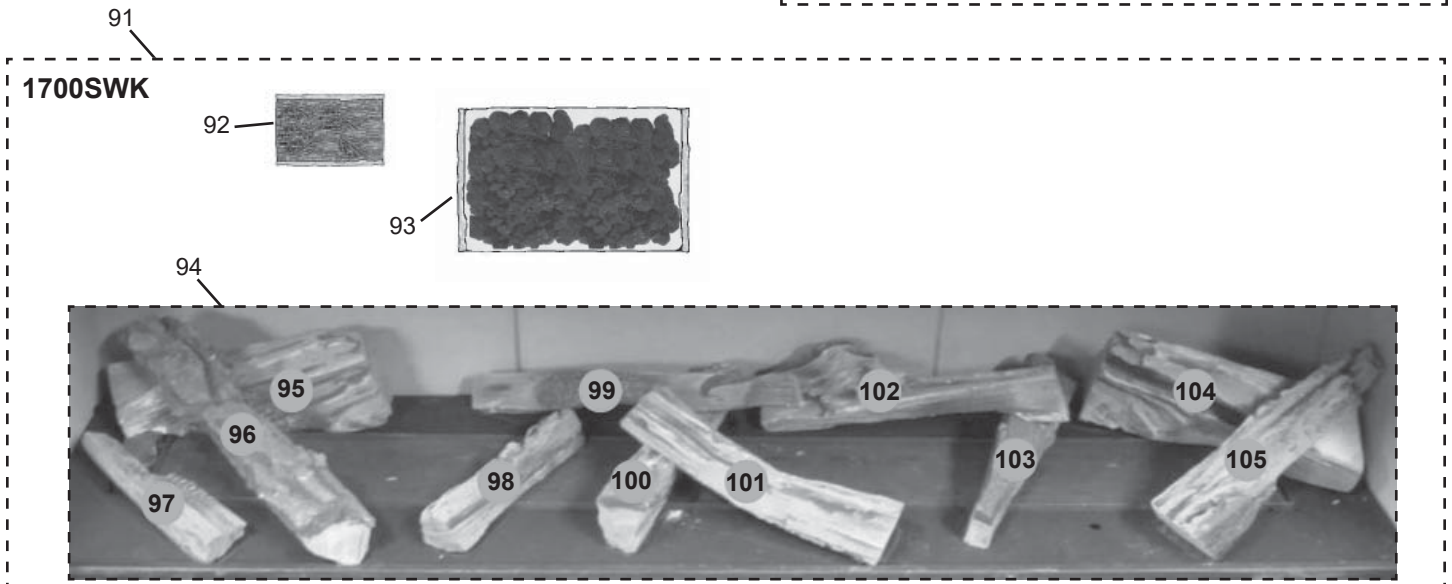
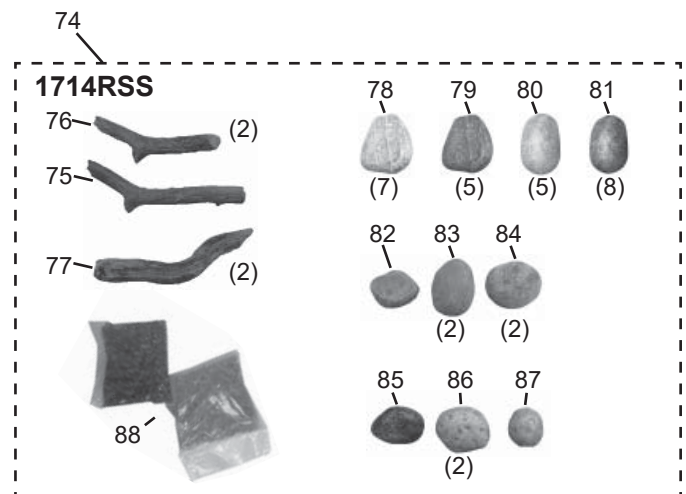
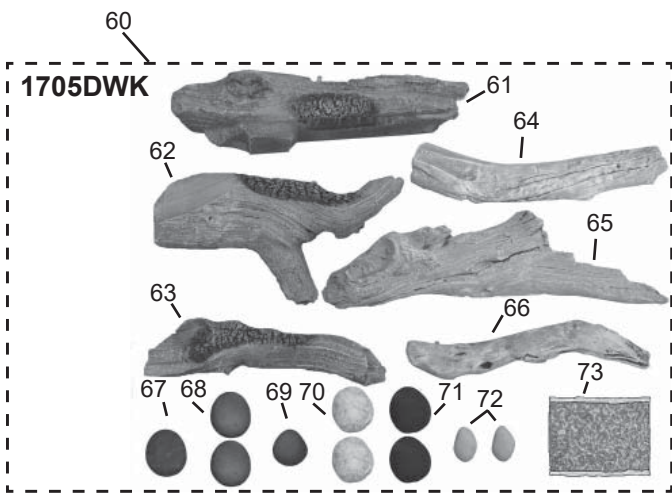
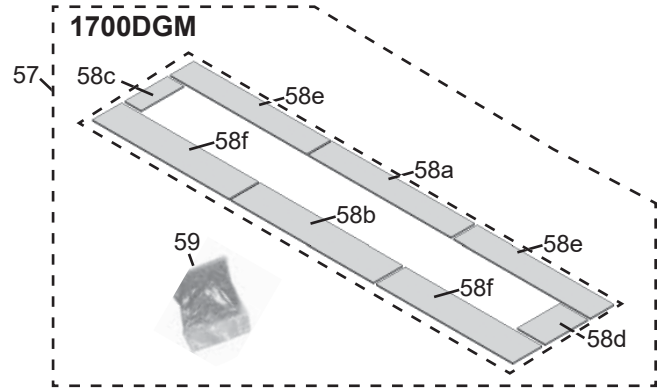
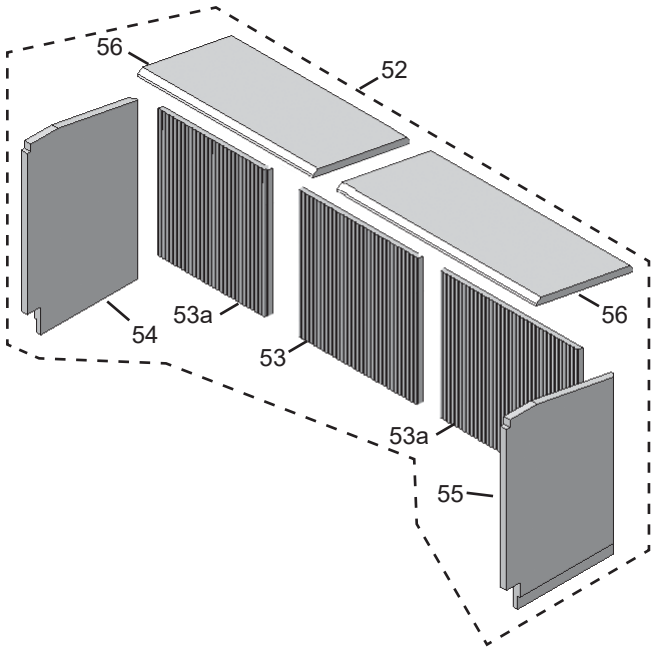
	Description	Part No.
	Limestone	4003071G
55	RH side panel	
	Black	4003072
	Glass	4004274
	Limestone	4003072G
56	Top panel	
	Black (2)	4003728
	Black (2)	4003728
	Black (2)	4003728
57	Murano Glass Fire	1700DGM
58a	Glass panel 401 x 66 mm	4003746A
58b	Glass panel 401 x 82 mm	4003746B
58c	Glass panel 119.5 x 46 mm	4003746C
58d	Glass panel 119.5 x 78.5 mm	4003746D
58e	Glass panel 384.5 x 66 mm (2)	4003746E
58f	Glass panel 384.5 x 82 mm (2)	4003746F
59	Classic 1/2" clear fireglass	4004521
60	Driftwook Kit	1705DWK
61	Rear log	4002938
62	LH end log	4002965
63	LH front log	4002967
64	Center cross log	4003721
65	RH rear log	4003928
66	RH Cross log	4003929
67	Brown beach pebble	4003082
68	Grey beach pebble (2)	4003083
69	Small grey beach pebble	4003086
70	White beach pebble (2)	4003084
71	Black beach pebble (2)	4003085
72	Small beige beach pebbles (2)	4003087
73	Grade 1A vermiculite, bagged	4002940
74	Rocks & Shale Set	1714RSS
75	LH twig	4001827
76	LH twig - short (2)	4001827S
77	RH twig (2)	4001828
78	Grey Rock S4-A (7)	4002338
79	Dark Grey Rock S4-A (5)	4002339
80	Grey Rock S4-B (5)	4002340
81	Dark Grey Rock S4-B (8)	4002341
82	No 7 Grey 5 Matte pitted rock	4002650
83	No 9 Grey 5 Matte rock (2)	4002652
84	No 11 Grey 3 Matte rock (2)	4002654

	Description	Part No.
85	No 14 Grey 9 Gloss rock	4002657
86	No 16 Warm Grey 3 Gloss pitted rock (2)	4002659
87	No 17 Grey 5 Gloss pitted rock	4002660
88	Shale 3/4" - grey, black 0.5lb ea	4004792
89	Cover plates (4)	4005409
90	Convection baffle	4005400
91	Split Wood Kit	1700SWK
92	Splinters grey, bagged	4005813
93	Small embers, bagged	4006134
94	Split Wood Logs	4006196
95	Log #1	4006122
96	Log #2	4006123
97	Log #3	4006124
98	Log #4	4006125
99	Log #5	4006126
100	Log #6	4006127
101	Log #7	4006128
102	Log #8	4006129
103	Log #9	4006130
104	Log #10	4006131
105	Log #11	4006132
106	GV60 Valve Repair Kit	4004544

Spare Parts



Spare Parts



Thank You ...

For purchasing a Valor by Miles Industries. Your new radiant gas heater is a technical appliance that must be installed by a qualified installer.

Please fill in the information below. The information provided will be used for customer records only.



Fireplace Information

Model Number: 1700 JN or JP / INSTALLED OUTDOOR

Serial Number:

Date Purchase (yyyy-mm-dd):

Dealer:

Customer Information

First Name:

Last Name:

Contact Information

Email:

Mailing Address

Address:

City:

Province/State:

Postal/Zip Code:

Country:

Cut out page, fill information, and mail to Miles Industries Ltd.

Online Warranty registration at www.valorfireplaces.com



Tape Shut



Fold here



Postage
needed

Miles Industries Ltd.
190 - 2255 Dollarton Highway
North Vancouver, BC V7H 3B1
Canada

Online Warranty registration at www.valorfireplaces.com



Thank you for choosing a Valor Product