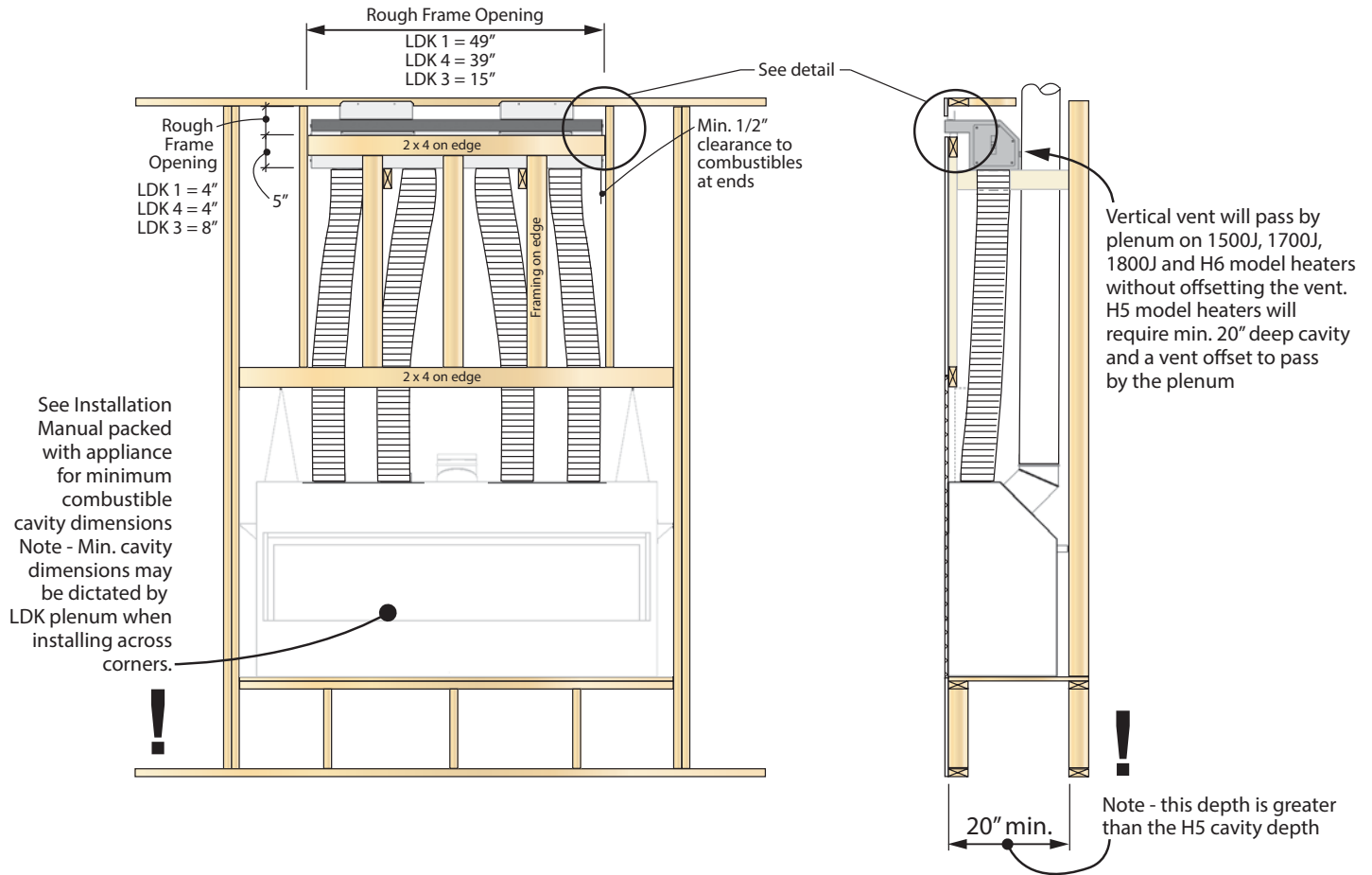
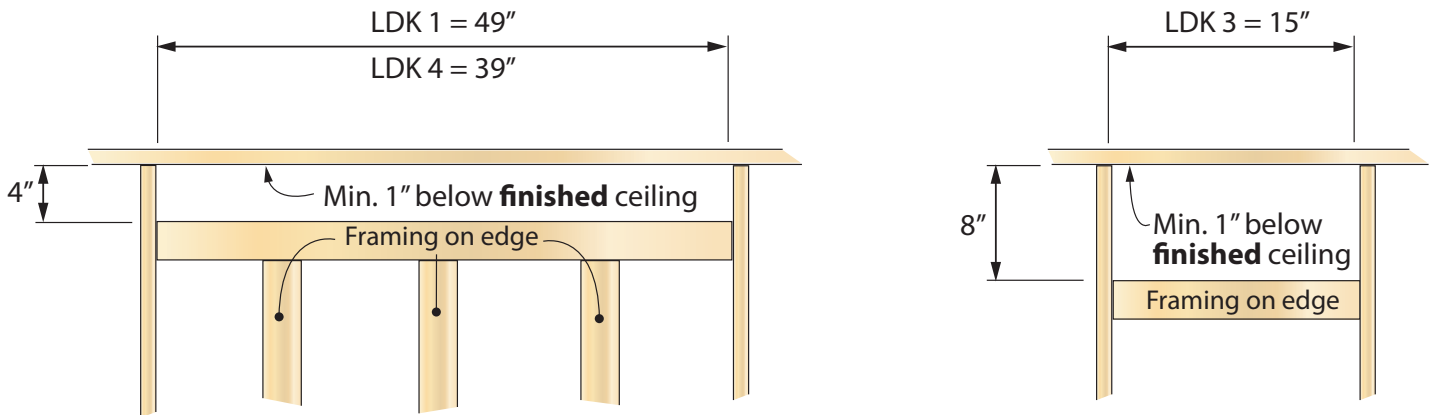


## Framing and Clearances



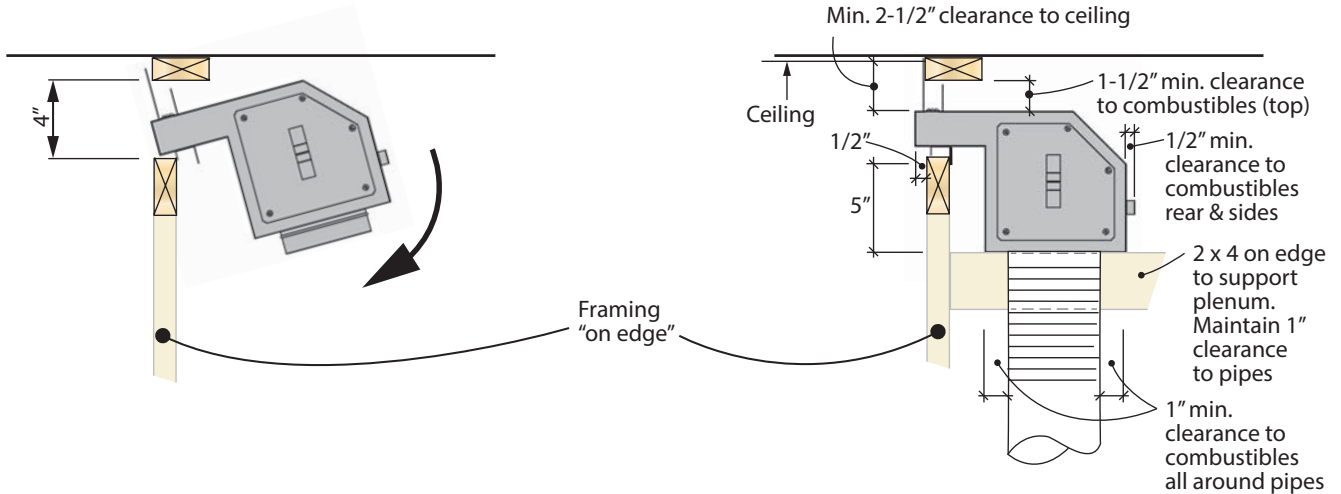
## Rough Frame Openings



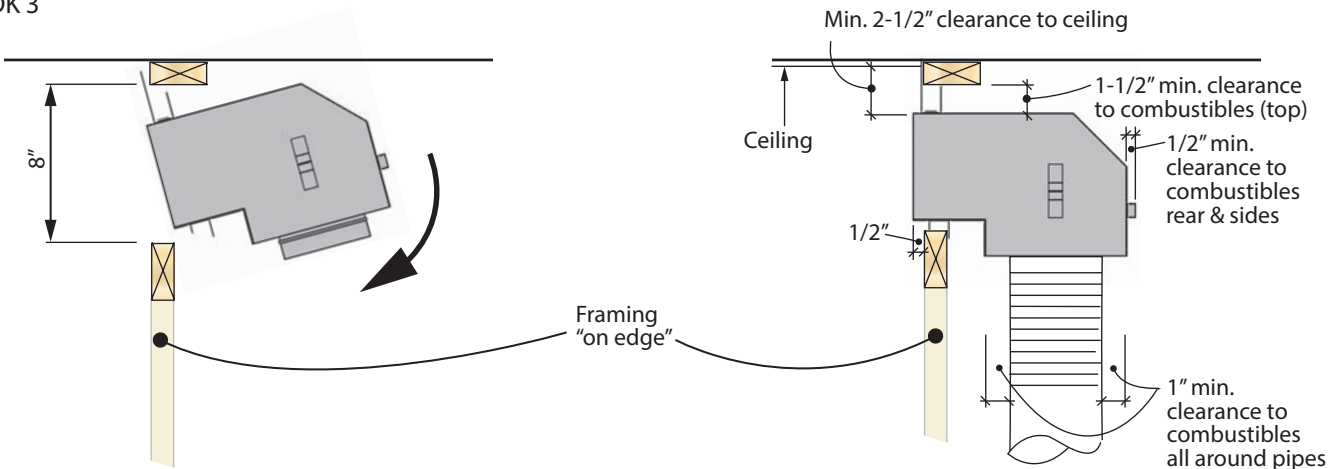
**LDK 1 & LDK 4**

**LDK 3**

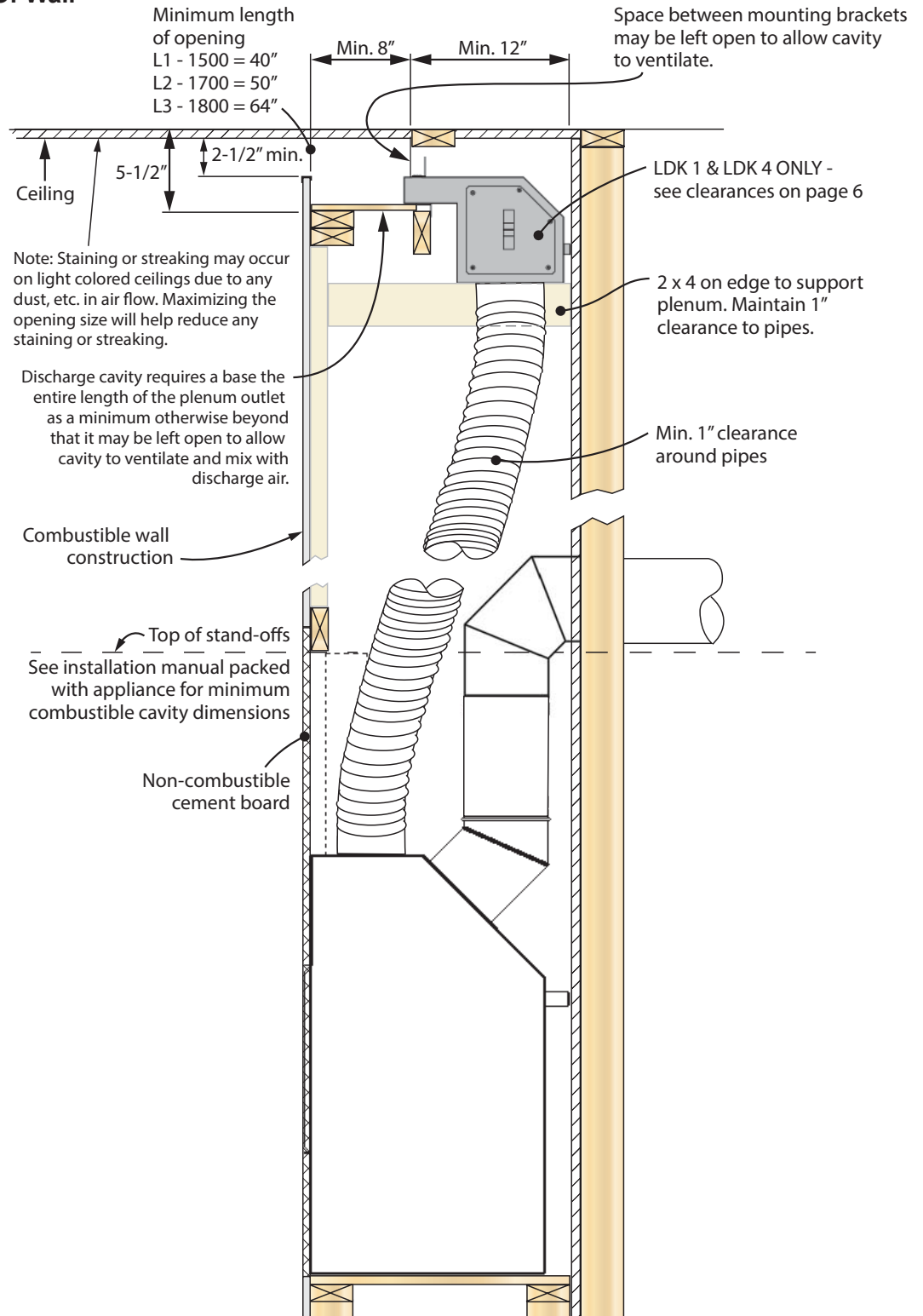
LDK 1 & 4



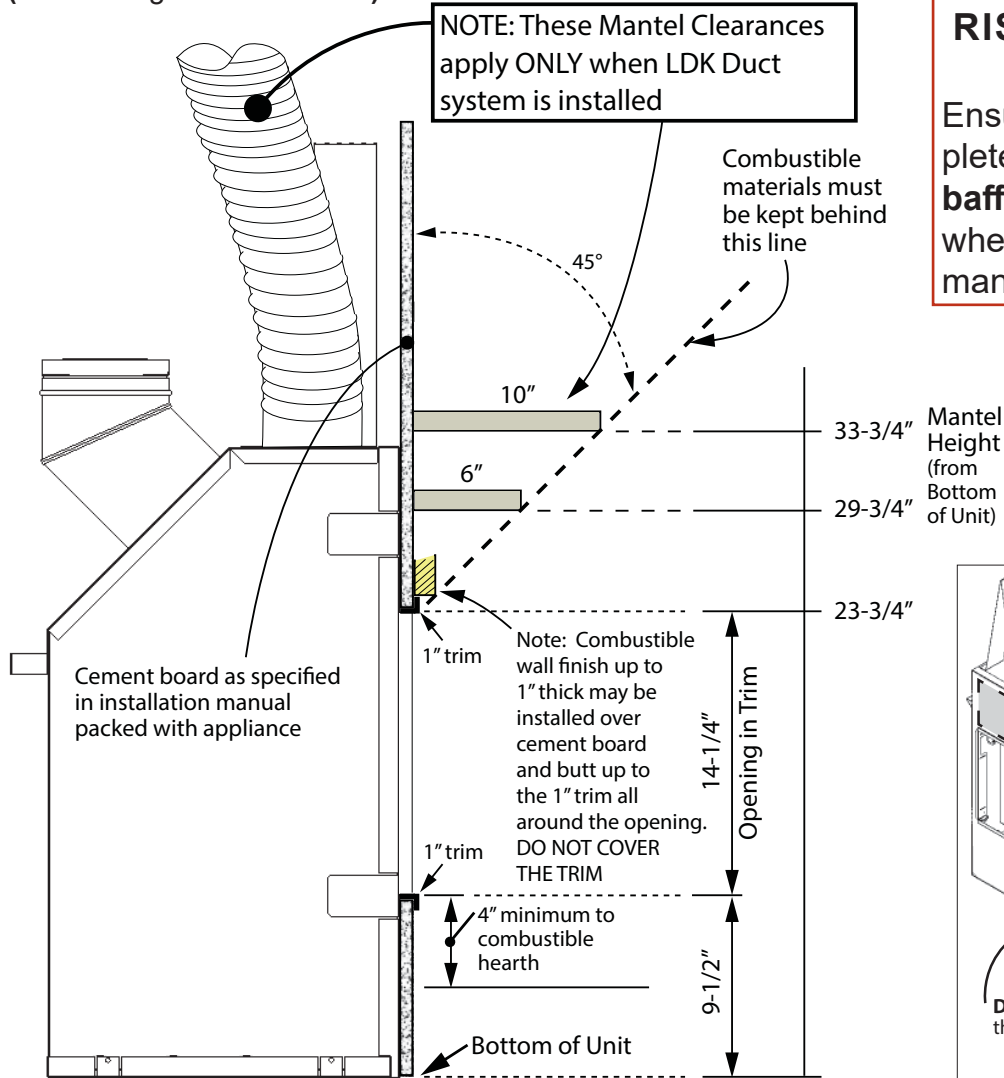
LDK 3



**Alternate Discharge Opening Using  
Valance Gap At The Top Of Wall**



**COMBUSTIBLE Mantel Clearances for Linear appliances**  
(when using LDK Duct Kits)

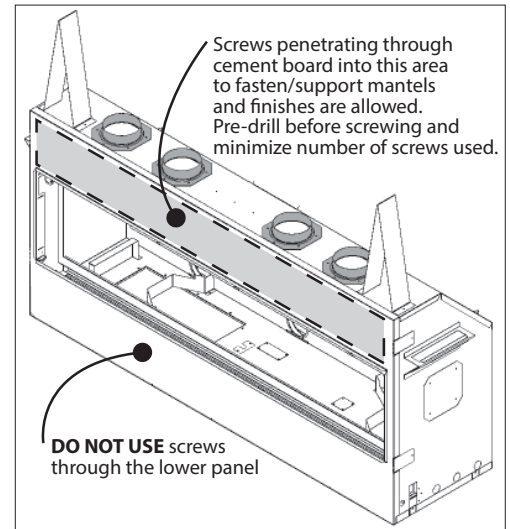


**⚠ WARNING**

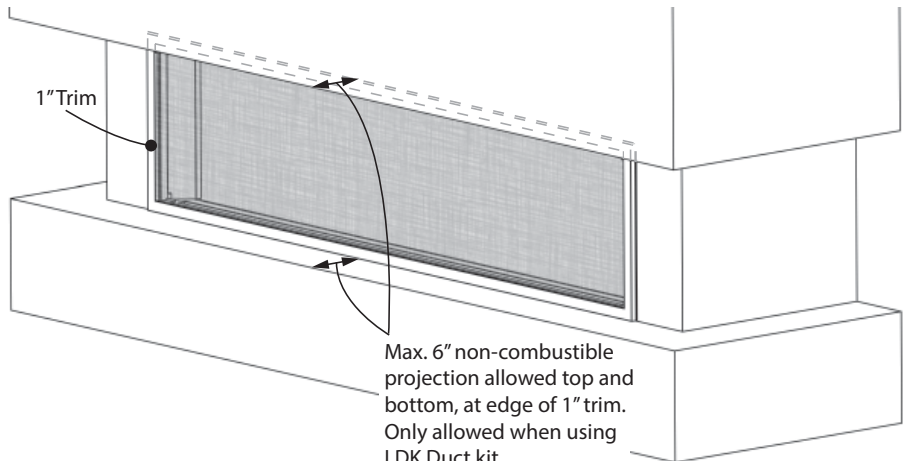
**RISK OF OVERHEATING AND FIRE!**

Ensure LDK installation is complete AND **internal convection baffle is removed** (see manual) when using these combustible mantel clearances.

Sidewall clearances remain as stated in the installation manual packed with the appliance.



**Linear appliances ONLY**

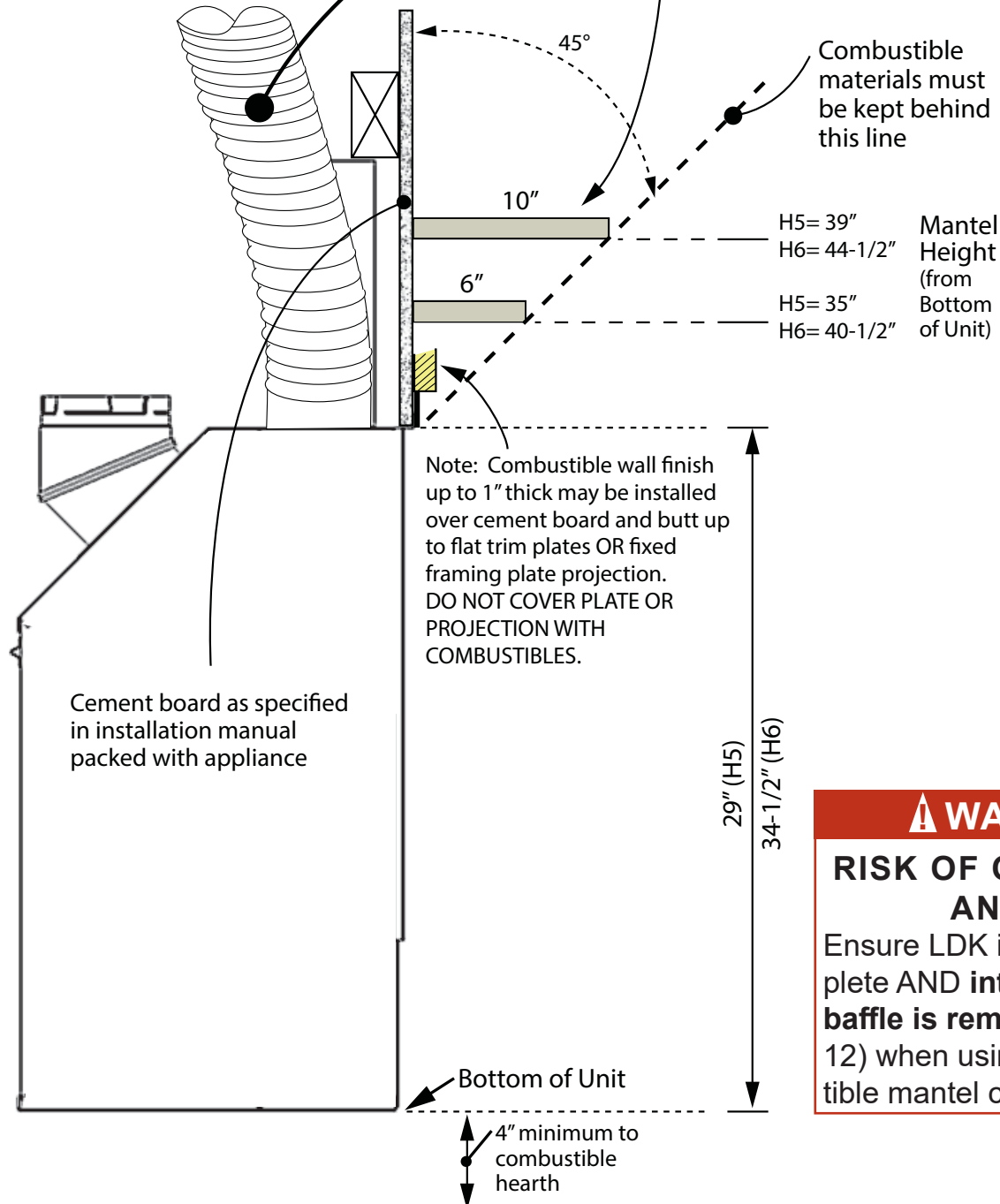


**NON-COMBUSTIBLE Flush Hearth/ Mantel Projections for Linear appliances**  
(when using LDK Duct Kits)

**COMBUSTIBLE Mantel Clearances for H5 and H6 appliances**  
(when using LDK Duct Kits)

Sidewall clearances remain as stated in the installation manual packed with the appliance.

**NOTE: These Mantel Clearances apply ONLY when LDK Duct system is installed**



**⚠ WARNING**

**RISK OF OVERHEATING AND FIRE!**

Ensure LDK installation is complete AND **internal convection baffle is removed** (see page 12) when using these combustible mantel clearances.