

Installation Manual



H3

Direct Vent Zero Clearance
Gas Fireplace
natural gas 1000KN
propane gas 1000KP

Installer: Place model/serial number here.

Installer: Leave this manual with the appliance.
Consumer: Retain this manual for future reference.

⚠ WARNING:
FIRE OR EXPLOSION HAZARD
Failure to follow safety warnings exactly could result in serious injury, death, or property damage.

Do not store or use gasoline or other flammable vapors and liquids in the vicinity of this or any other appliance.

WHAT TO DO IF YOU SMELL GAS

- Do not try to light any appliance.

- Do not touch any electrical switch; do not use any phone in your building.
- Leave the building immediately.
- Immediately call your gas supplier from a neighbor's phone. Follow the gas supplier's instructions.
- If you cannot reach your gas supplier, call the fire department.

Installation and service must be performed by a qualified installer, service agency or the gas supplier.

⚠ DANGER



Hot glass will cause burns.

Do not touch glass until cooled.

Never allow children to touch glass.

A barrier designed to reduce the risk of burns from the hot viewing glass is provided with this appliance and must be installed for the protection of children and other at-risk individuals.

This appliance may be installed in an after-market permanently located, manufactured (mobile) home where not prohibited by local codes. This appliance is only for use with the type of gas indicated on the rating plate. This appliance is not convertible for use with other gases, unless a certified kit is used.

INSTALLER: Leave this manual with the appliance.

CONSUMER: Retain this manual for future reference.

Massachusetts:

The piping and final gas connection must be performed by a licensed plumber or gas fitter in the State of Massachusetts. Also, see Carbon Monoxide Detector requirements in the fireplace installation manual.

⚠ WARNING

This product can expose you to chemicals including Benzene, which is known to the State of California to cause cancer and birth defects or other reproductive harm. For more information go to www.P65Warnings.ca.gov.

Note: Natural gas, in its original state, contains Benzene.

This manual contains instructions to install the **ENGINE ONLY**. A trim kit is **REQUIRED** to complete the installation. A barrier screen is provided with the trim kit. **Refer to the manual supplied with the trim for installation.**

This appliance is a domestic room-heating appliance. It must not be used for any other purposes such as drying clothes, etc.

This appliance is suitable for installation in a bedroom or bed sitting room.

Ce guide est disponible en français sur demande.



We recommend a US Certified National Fireplace Institute (NFI) specialist install our gas hearth products.



The information contained in this manual is believed to be correct at the time of printing. Miles Industries Ltd. reserves the right to change or modify any information or specifications without notice. Miles Industries Ltd. grants no warranty, implied or stated, for the installation or maintenance of your heater, and assumes no responsibility for any consequential damage(s).

© Copyright Miles Industries Ltd., 2022. All rights reserved.
Designed and manufactured for Miles Industries Ltd.

Valor Fireplaces
190-2255 Dollarton Highway
North Vancouver, BC, Canada V7H 3B1
T 604.984.3496 F 604.984.0246
valorfireplaces.com

Welcome to Valor®

This appliance has been professionally installed by:

Dealer Name: _____

Phone: _____

Fireplace Safety	4
Specifications	6
Kits & Accessories.....	7
Dimensions & Location.....	8
Mantel Clearances.....	9
Installation Planning.....	11
New Construction	12
Overview	12
Framing & Hearth	14
Wall Finish	17
Retrofit Application.....	19
Overview	19
Venting	21
Overview	21
Co-axial.....	22
Typical Co-axial Venting Components	22
Venting Chart	23
Restrictors	25
Horizontal Vent Termination Location.....	26
Vertical Vent Termination	27
Vent Conversion	28
Applications.....	28
Co-Linear Into Existing Solid Fuel Chimney	29
Co-Linear Into Existing Solid Fuel Fireplace.....	30
Co-Axial Flex Into Existing Solid Fuel Fireplace	31
Adapters and Terminations.....	32

Please read this manual BEFORE installing and operating this appliance.

Appliance Preparation	33
Vent Outlet.....	33
Stand-offs.....	34
Optional HeatShift.....	35
Remove Convection Baffle	35
Install HeatShift Take-Off Collars	35
Remove Window	36
Installation	37
With 1030CIK—Clean Installation Kit	37
With 3 or 4-Sided Backing Plates.....	41
Electrical Wiring	42
Gas Supply.....	43
Liners	45
Fuel Beds	46
Window Re-Installation	56
Wall Switch Kit	57
Remote Control Pairing.....	58
Burner Aeration	59
Accessories	60
Remote Control Handset Wall Holder	60
Trim and Barrier Screen	60
Wiring Diagram.....	61
Approved Venting Components	62
Commonwealth of Massachusetts	64
Appendix A - Lighting Instructions Plate.....	66
Appendix B - Remote Control Operation	67
Appendix C - Wall Switch Operation	71
Appendix D - HeatShift System	72
Appendix E - Spare Parts	80

Fireplace Safety

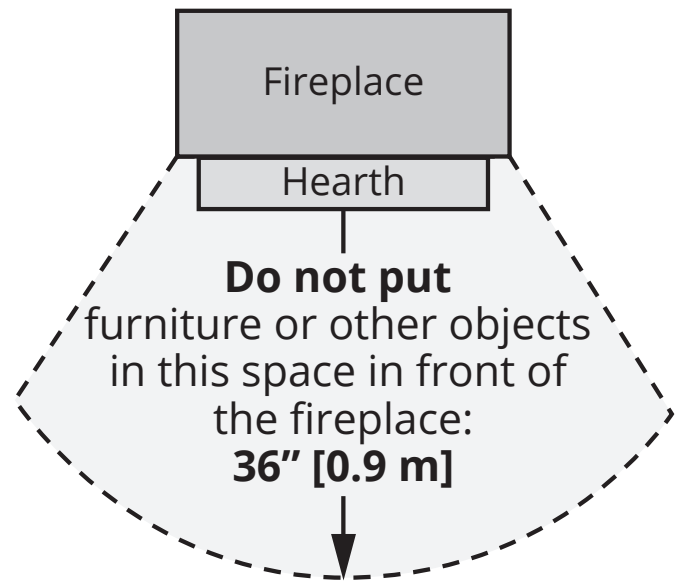
This manual contains very important information about the safe installation and operation of the fireplace. Read and understand all instructions carefully before installing and operating the fireplace. Failure to follow these instructions may result in possible fire hazard and will void the warranty.

Replacement manuals are available by contacting the Valor Customer Service at 1-800-468-2567, or by visiting valorfireplaces.com.

WARNING: Extremely Hot!

Heat and flammability

- Some parts of the fireplace are extremely hot, particularly the glass window. Use the barrier screen provided with the trim or a gate to reduce the risk of severe burns.
- The glass windows can exceed 500°F at full capacity.
- Always keep the appliance clear and free from combustible materials, gasoline, and other flammable vapors and liquids.
- Be aware of hot wall surfaces! The wall directly above the fireplace can get very hot when the fireplace heats. Although safe, it may reach temperatures in excess of 200° F depending on choice of trims or optional accessories. Do not touch!
- Be aware of hot hearth/floor surfaces! The hearth or floor directly in front of the fireplace can get very hot when the fireplace heats. Although safe, they may reach temperatures in excess of 200° F depending on elevation of hearth. Do not step on it! Temperature of hearth/floor surface will be reduced when barrier screen is installed.
- Solid wood flooring in front of the fireplace (if allowed) may shrink during the heating season due to heat.
- Some materials or items, although safe, may discolor, shrink, warp, crack, peel, and so on because of the heat produced by the fireplace. Avoid placing candles, paintings, photos and other combustible objects sensitive to heat or furniture within 36 inches (0.9 m) around the fireplace.
- Due to its high temperature, the appliance should be located out of traffic areas and away from furniture and draperies.



- Any safety screen, guard, or barrier removed for servicing an appliance must be replaced prior to operating the appliance
- Children and adults should be alerted to the hazards of high surface temperature and should stay away to avoid burns or clothing ignition.
- Young children should be carefully supervised when they are in the same room as the appliance. Toddlers, young children, and others may be susceptible to accidental contact burns. A physical barrier is recommended if there are at-risk individuals in the house. To restrict access to a fireplace or stove, install an adjustable safety gate to keep toddlers, young children, and other at-risk individuals out of the room and away from hot surfaces.
- A barrier designed to reduce the risk of burns from the hot viewing glass is provided with this appliance and shall be installed for the protection of children and other at-risk individuals.
- Clothing or flammable material should not be placed on or near the appliance.

Fireplace Safety

Glass window

WARNING

Do not operate this appliance with the glass front removed, cracked, or broken. Replacement of the glass front should be performed by a licensed or qualified service person. Do not strike or slam the glass front.

- The glass front assembly must be in place and sealed before the unit can be placed into safe operation.
- The glass front assembly must only be replaced as a complete unit, as supplied by the fireplace manufacturer. No substitute material may be used.
- Do not use abrasive cleaners on the glass front assembly. Do not attempt to clean the glass front when it is hot.

Venting

- This unit must be used with a vent system as described in this manual. No other vent system or components may be used.
- Never obstruct the flow of combustion and ventilation air. Keep the front of the appliance clear of all obstacles and materials for servicing and proper operation.
- This gas fireplace and vent assembly must be vented directly to the outside and must never be attached to a chimney serving a separate solid fuel burning appliance. Each gas appliance must use a separate vent system. Common vent systems are prohibited.

Intended use

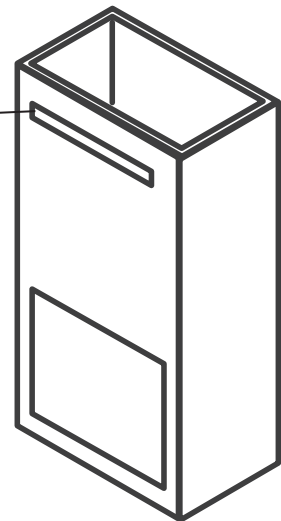
- This appliance is designed and approved as a supplemental heater and provides the potential for most energy conservation when used while attended. The use of an alternate primary heat source is advisable.
- This unit is not for use with solid fuel.
- Do not use this heater as a temporary source of heat during construction.

Installation and Servicing

- Installation and repair should be done by a qualified service person. The appliance should be inspected before use and at least annually by a professional service person. More frequent cleaning might be required due to excessive lint from carpeting, bedding material, et cetera. It is imperative that control compartments, burners, and circulating air passageways of the appliance be kept clean.

WARNING

Front outlet



**Optional HeatShift Duct Kit:
Do not cover or place items in front of outlet!**

WARNING

Optional electrical accessories ARE NOT ALLOWED when adapting appliance for outdoor use.

Specifications

Approval & Codes

This appliance is certified to ANSI Z21.88/CSA 2.33 American National Standard / CSA Standard for Vented Gas Fireplace Heaters for use in Canada and USA, and to CGA 2.17-91 High Altitude Standard in Canada. This appliance is for direct vent installations.

This appliance complies with CSA P.4.1-15 Testing method for measuring annual fireplace efficiencies.

The installation must conform to local codes or, in the absence of local codes, with the National Fuel Gas Code, ANSI Z223.1/NFPA 54 or the Natural Gas and Propane Installation Code CAN/CGA-B149.1. Only qualified licensed or trained personnel should install this appliance.

This appliance must be electrically grounded in accordance with local codes, or, in the absence of local codes, with the National Electrical Code, ANSI/NFPA 70 or the Canadian Electrical Code, CSA C22.1.

Ratings

Model	1000KN	1000KP
Gas	Natural	Propane
Altitude (Ft.)*	0-4,500 feet*	
Input Maximum (Btu/h)	25,000	24,000
Input Minimum (Btu/h)	12,000	11,000
Manifold Pressure (in w.c.)	3.2"	9.5"
Minimum Supply Pressure (in w.c.)	5"	11"
Maximum Supply Pressure (in w.c.)	10"	14"
Main Burner Injector Marking	750	260
Pilot Injector Marking	51	30
Min. Rate By-Pass Screw	175	105

*High Altitude Installations

Input ratings are shown in BTU per hour and are certified without deration for elevations up to 4,500 feet (1,370 m) above sea level.

For elevations above 4,500 feet (1,370 m) in USA, installations must be in accordance with the current ANSI Z223.1 and/or local codes having jurisdiction. Heating value of gas in some areas is reduced to compensate for elevation—consult your local gas utility to confirm.

For installations at elevations above 4,500 feet (1,370 m) in Canada, please consult provincial and/or local authorities having jurisdiction.

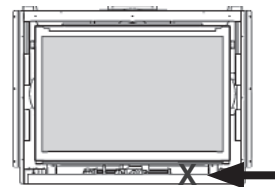
Supply Gas

Heater engines 1000KN is used with natural gas.

Heater engines 1000KP is used with propane gas.

The supply pressure must be between the limits shown in the Ratings section.

The supply connection is 3/8" NPT male and located on the right hand side of the firebox. A shut-off valve (not supplied) is required on the supply line to isolate the unit during service. See *Connect Gas Supply* section for details.



Conversion Kits

The 1000K is supplied as natural gas or propane gas and is field convertible between fuels. See instructions packaged with the conversion kits for further information.

Electrical

The 1000K is designed to run on battery power and does not require an electrical power source to operate as a heater. However, it requires electrical power to operate optional 1095CFK Circulating Fan Kit or GV60PAK Power Adapter.

HeatShift™ System

The 1000K are designed to allow the installation of the optional HeatShift System, a convection system that redistributes the warm air flow away from the fireplace opening to a more desirable location using natural convection, without use of a fan.

The warm air flow may be relocated to a position higher up the wall, or even to another room. The result is much cooler wall temperatures above the fireplace opening for locating televisions, artwork, etc.

Please note that the framing and mantel clearances are affected by the installation of the HeatShift System. Refer to Appendix D - HeatShift System on page 72 for more information.

Outdoor Conversion Kit

The 1000K models are supplied standard for indoor applications and may be adapted for installation in specific "outdoor" applications protected from weather as defined in the GV60CKO outdoor conversion kit manual.

Kits & Accessories

Required Kits Information accurate at the time of printing and subject to change without notice.

Fuel Beds (choose one)		
1000DWKV2	Driftwood Kit	
1000BLKV2	Birch Logs Kit	
1000LSKV2	Traditional Logs Kit	
Ceramic Liners (choose one)		
1010VRL	Valor Red Brick Liners	
1015LSL	Ledgestone Liners	
1025FBL	Fluted Black Liners	
1060PBL	Black Liners	
1065CBL	Charcoal Brick Liners	
1070RGL	Reflective Glass Liners	
1075HBL	Herringbone Liners	
Trims & Fronts—New Constructions		Barrier Screen
1030CIK	Clean Installation Kit	
1035BPB	3-Sided Backing Plate	
with 1045CFV	Clearview Front Vintage Iron	
1040BPB	4-Sided Backing Plate	
with 1041FSV	4-Sided Surround Vintage Iron	
with 1041FSCB	4-Sided Surround Champagne Brass	
		4007095AZ
		4007128AZ
		4007347AZ
Trims & Fronts—Retrofit Installations		Barrier Screen
1035BPB-RC	3-Sided Backing Plate, Black—Reduced Clearance	
1036BPB-RC	3-Sided Backing Plate, Increased Height, Black—Reduced Clearance	
with 1045CFV	Clearview Front Vintage Iron	
1040BPB-RC	4-Sided Backing Plate, Black—Reduced Clearance	
with 1041FSV	4-Sided Surround Vintage Iron	
with 1041FSCB	4-Sided Surround Champagne Brass	
		4007128AZ
		4007347AZ

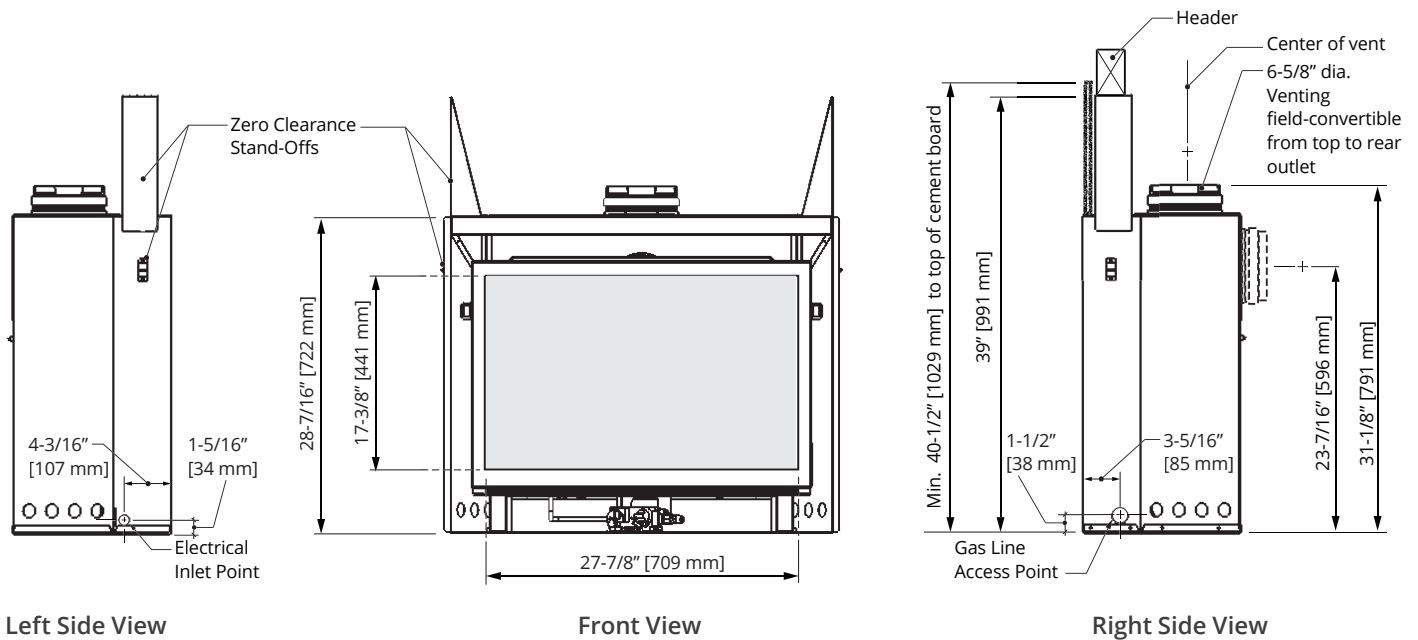
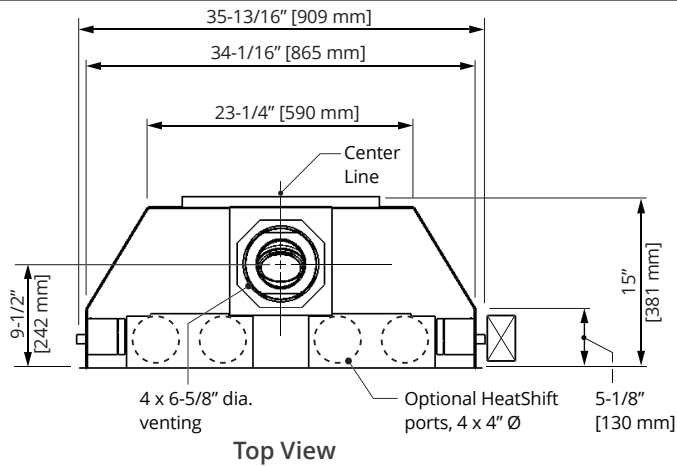
NOTE
RC Backing Plates not compatible with HeatShift

Optional Accessories Information accurate at the time of printing and subject to change without notice.

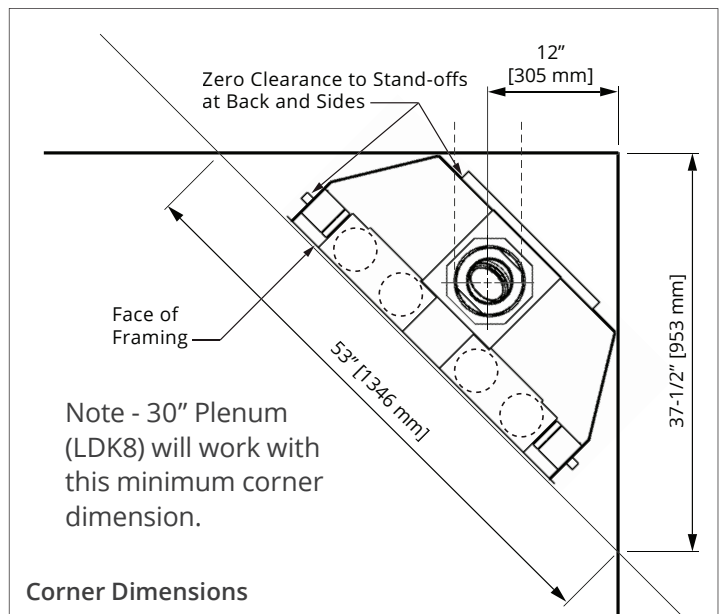
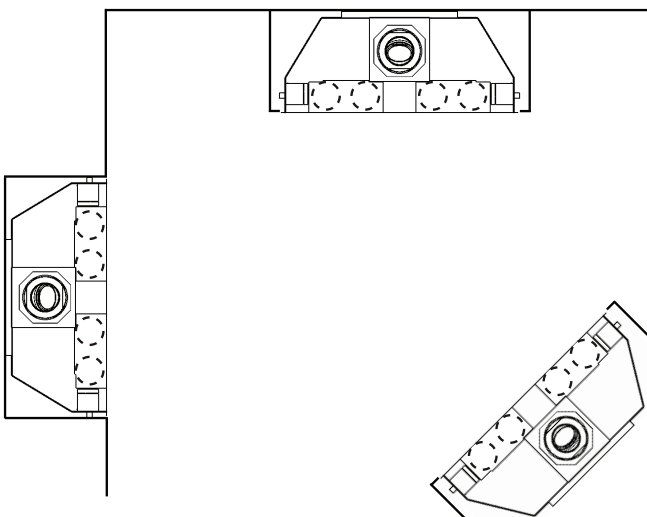
Gas Conversion Kits		
1000PGK	Conversion to propane gas	
1000NGK	Conversion to natural gas	
Other Accessories		
GV60CKO	Outdoor Fireplace Conversion Kit	
1095CFK	Circulating Fan Kit (requires GV60VM)	
RBWSK	Remote Battery & Wall Switch Kit	
Hearth Gate	Hearth gates such as Cardinal's VersaGate are available at retail stores carrying safety products for children.	
GV60WIFI	WiFi connection module and cable (requires GV60VM)	
GV60VM	V-Module power supply (required for Circulating Fan Kit or WiFi Kit, not for use with outdoor installations) Not required on fireplaces with 1095CFK Fan Kit with correct power components already installed.	
HeatShift Accessories		
LDK8	30" HeatShift plenum and (2) dual collar plates (4" diameter)	
LDK10	30" finishing frame for LDK8	
LDK11	(2) 10' lengths of 4" liner	
		NOTE RC Backing Plates not compatible with HeatShift

Dimensions & Location

Dimensions

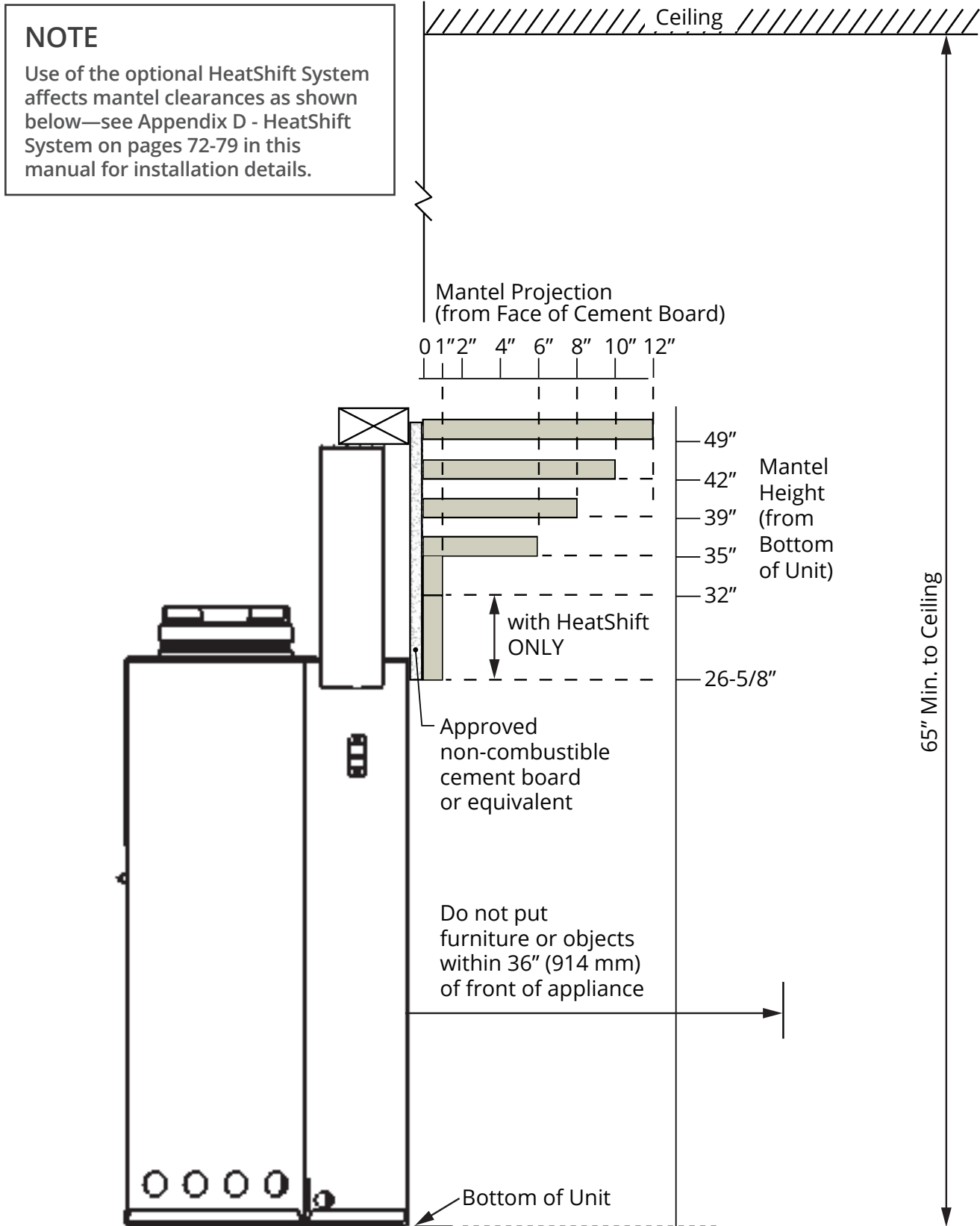


Location



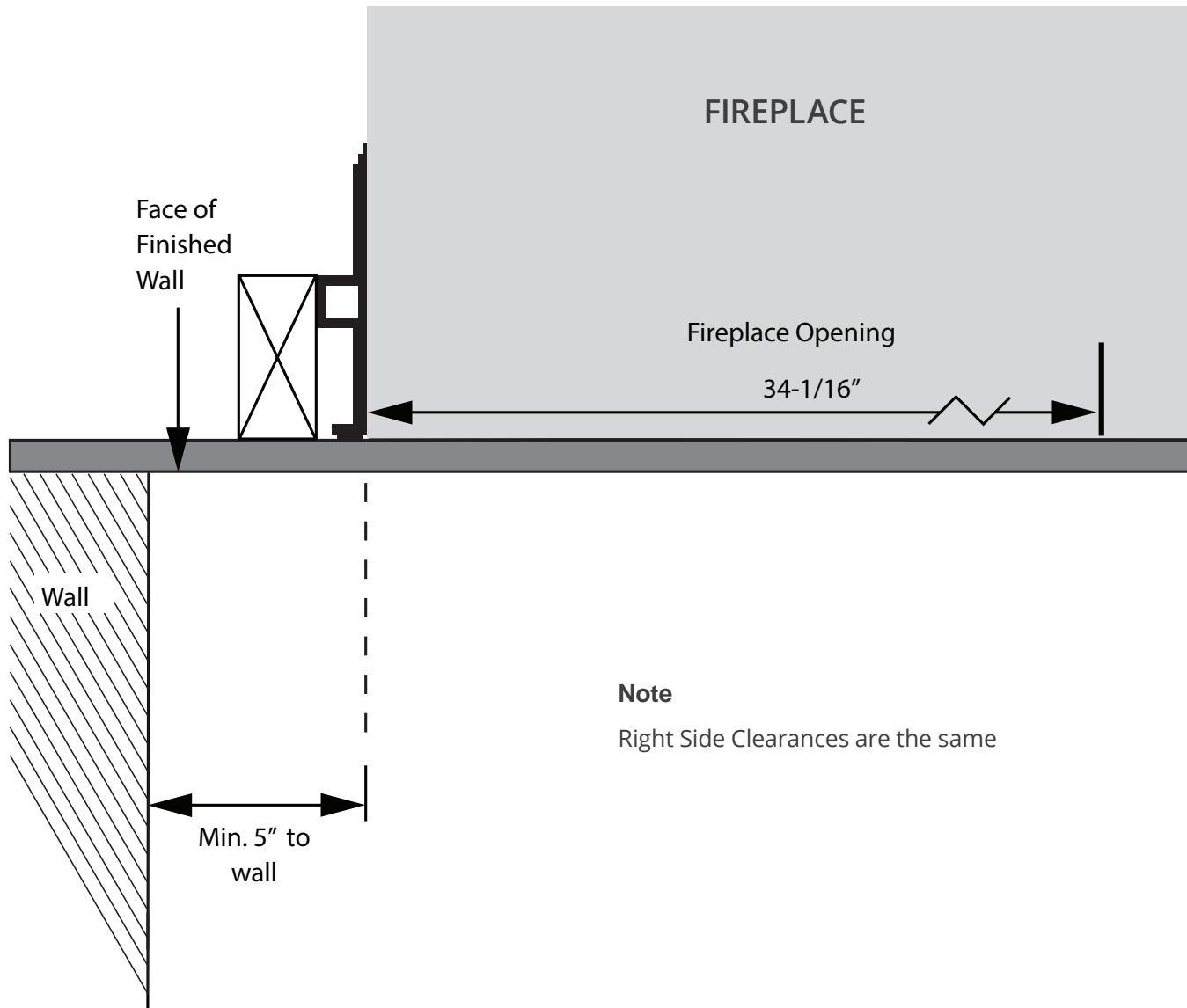
Mantel Clearances

Combustible Mantel—Left Side View



Mantel Clearances

Combustible Sidewall / Mantel Leg—Top View



Installation Planning



Caution

ONLY qualified licensed or trained personnel should install this appliance

Applications

There are two types of applications for the H3:

NEW CONSTRUCTION APPLICATION— Pages 11-17

New construction applications where new framing is being built and new wall finish applied. These installations require the use of a non-combustible cement board immediately above the fireplace and a header of a minimum height of 39" from the base of the H3 appliance.

RETROFIT APPLICATION with RC PLATES— Pages 18-19

Retrofit applications where an existing fireplace is being removed, and the existing wall finish and cavity remain. These installations allow for a lower combustible header height of 33", and combustible wall finishes within 31" of the base of the H3 appliance.

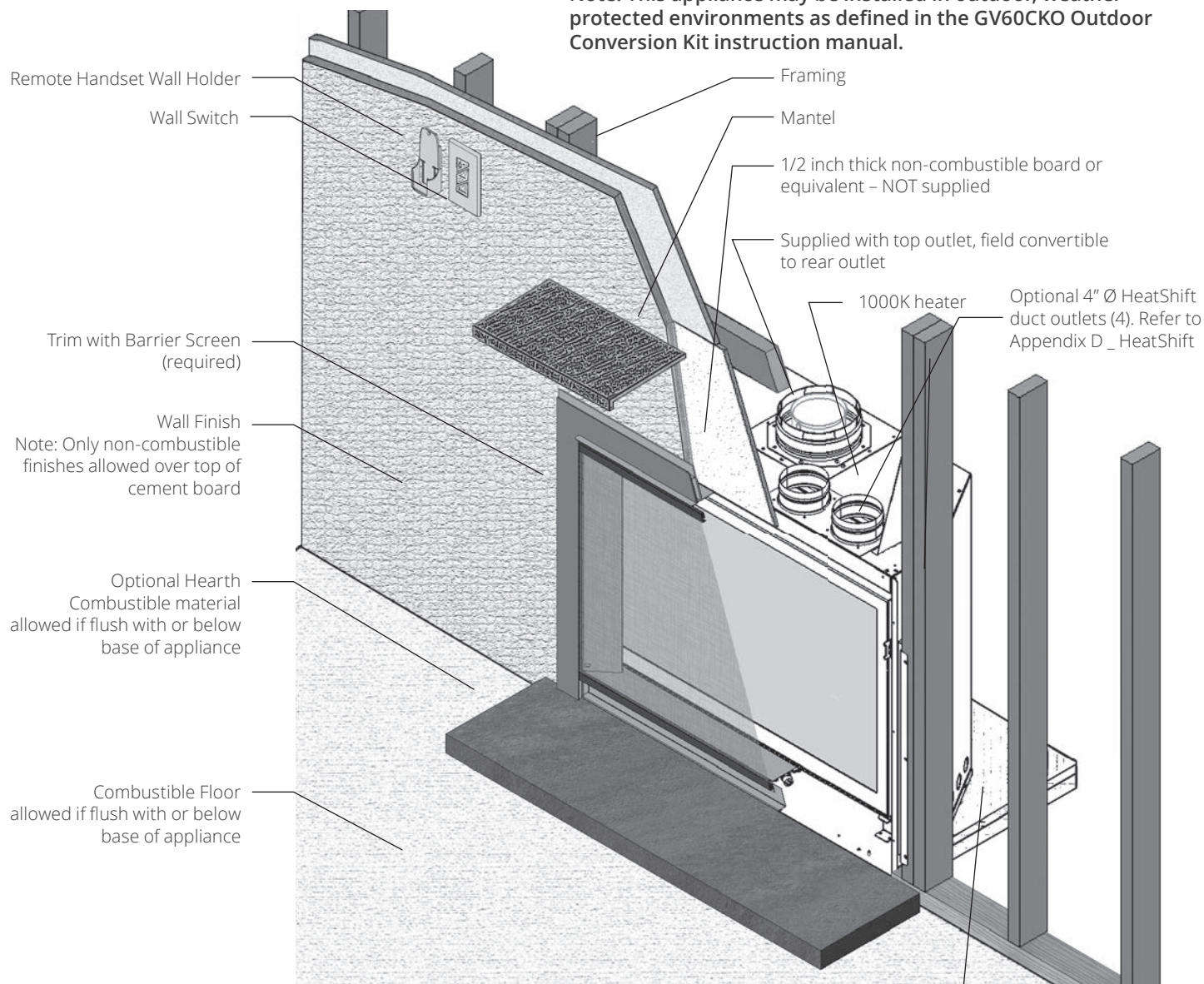
NOTE

RC type Backing Plates are NOT compatible to use with the HeatShift System.

Summary

Backing plate trim combination	1/2" cement board required above appliance	Wall finish	Hearth position (if any)
NEW CONSTRUCTION			
1030CIK Clean Installation Kit	YES	Covers kit, butts to flange	Flush or max 1-1/2" above bottom of appliance. Note: <i>Micore</i> pad required if hearth surface is above appliance base.
1035BPB 3-Sided backing plate + 1045CFV Clearview Front	YES	Backing plate adjusts to allow for thickness of non-combustible finish added over top of cement board. Max. thickness on top of cement board: 3/4".	Flush to bottom of appliance
1040BPB 4-Sided backing plate + 1041FS 4-Sided Surrounds	YES		Min. 1/4" BELOW bottom of appliance
RETROFIT INSTALLATION—Reduced Clearance			
1035BPB-RC 3-Sided backing plate + 1045CFV Clearview Front	NO	Existing wall finish. Note: When top venting, max. existing wall finish thickness, including header, is approx. 5", maintaining 1" clearance to vent.	Flush to bottom of appliance
1036BPB-RC 3-Sided tall backing plate + 1045CFV Clearview Front	NO		Flush to bottom of appliance
1040BPB-RC 4-Sided backing plate + 1041FS 4-Sided Surrounds	NO		Min. 7/8" BELOW bottom of appliance

Note: This appliance may be installed in outdoor, weather protected environments as defined in the GV60CKO Outdoor Conversion Kit instruction manual.



Combustible Framing Allowed Beneath Fireplace.
Do not install appliance directly on carpet.

⚠ WARNING

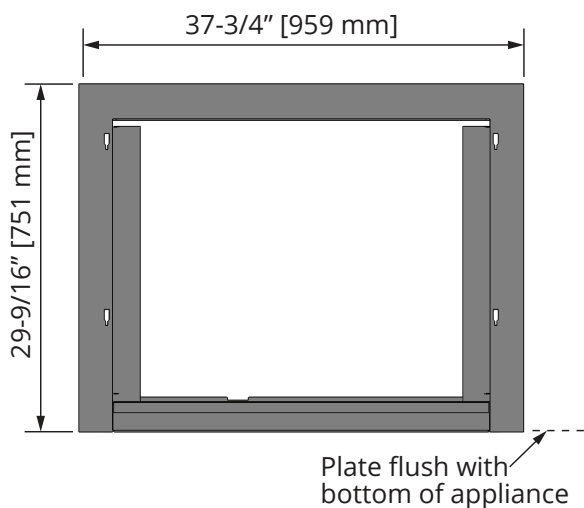
SAFETY WARNING! The H3 is a very effective radiant heater.

HOT WALL SURFACES! The wall directly above the fireplace is constructed of non-combustible materials and, although safe, it may reach temperatures in excess of 200° F depending on choice of trims. Do not touch. Finish the wall using materials suitable for these temperatures.

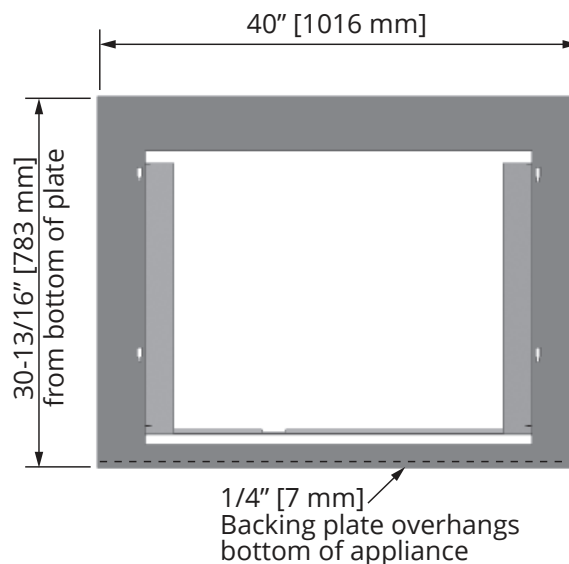
HEARTH/FLOOR SURFACES! The hearth/floor in front of the heater can get very hot. Locating the unit raised above the hearth/floor and using the screen front will help reduce hearth temperatures. Note that some materials, although safe can degrade due to heat—take this into consideration when choosing materials.

Backing Plates for new constructions

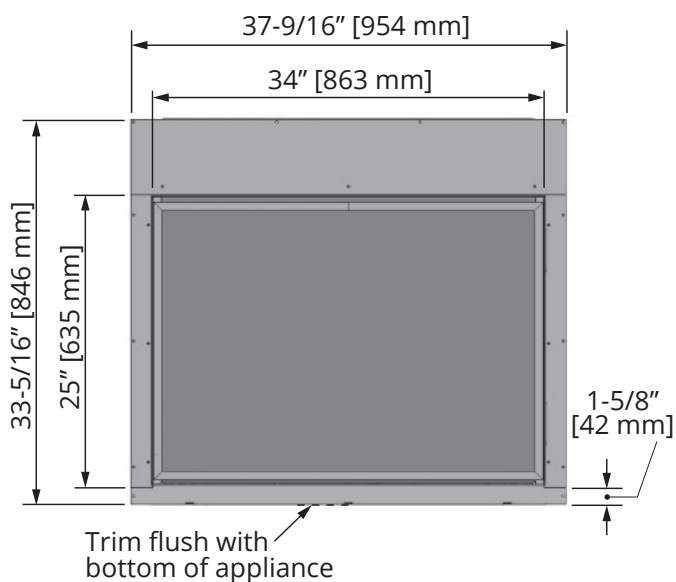
1035BPB 3-Sided Plate



1040BPB 4-Sided Plate



1030CIK Clean Installation Kit



New Construction

Framing & Hearth

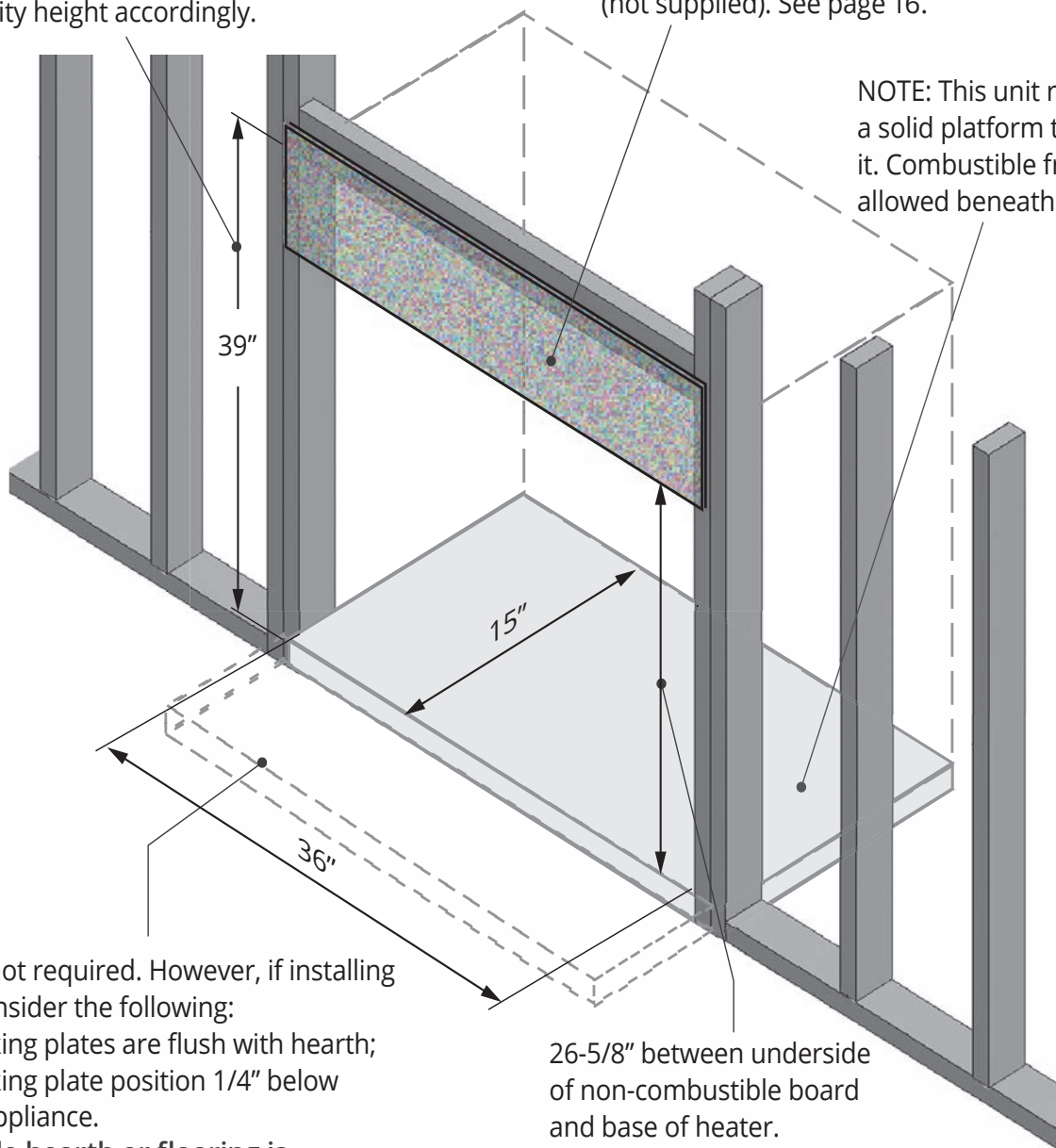
NOTE

Use of the optional HeatShift System affects framing—see Appendix D - HeatShift System on page 77 in this manual for framing details.

Between underside of header and base of heater.
Base of heater must be at finished hearth height.
However, **please note that the 1040BPB 4-sided backing plate extend 1/4" below the base of heater.**
Increase cavity height accordingly.

1/2" thick non-combustible board required above engine (not supplied). See page 16.

NOTE: This unit requires a solid platform to support it. Combustible framing allowed beneath fireplace.



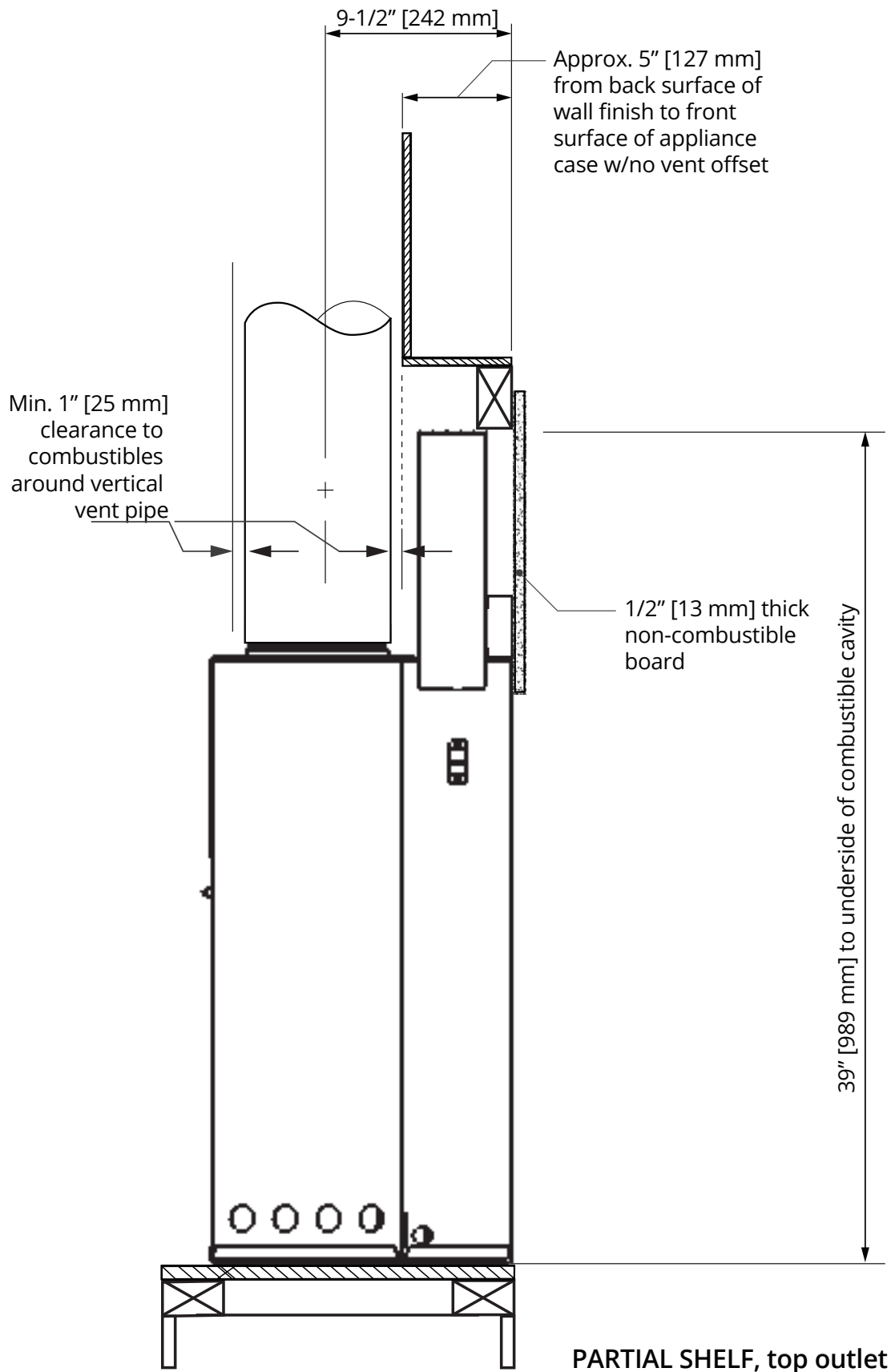
A hearth is not required. However, if installing a hearth, consider the following:
3-sided backing plates are flush with hearth;
4-sided backing plate position 1/4" below bottom of appliance.
Combustible hearth or flooring is allowed if flush with or below the base of the appliance.

26-5/8" between underside of non-combustible board and base of heater.

New Construction

Framing

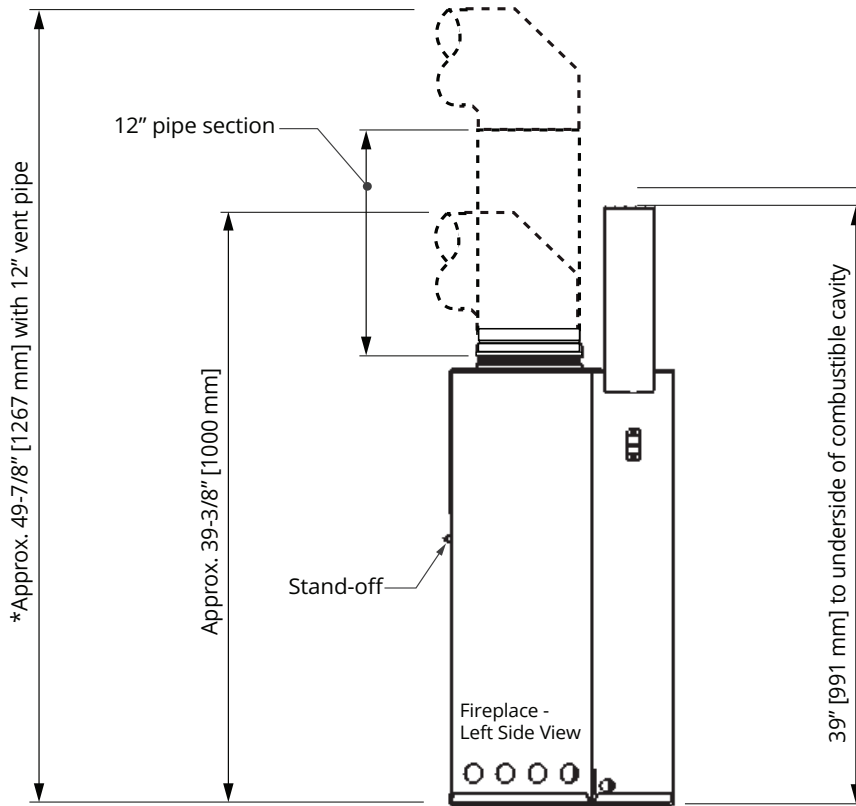
Framing with Partial Shelf— Top Outlet



New Construction

Venting Considerations

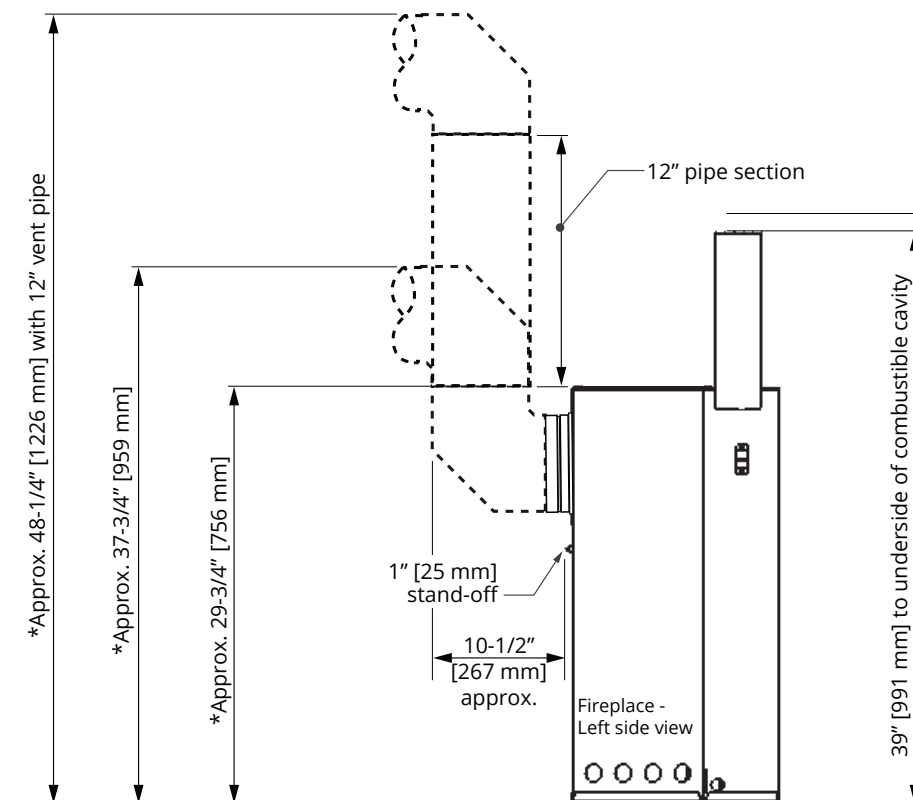
Vertical Takeoff



*Notes—ALL venting considerations

- Dimensions of venting are based on using Dura-Vent elbows. Elbow curve radius dimensions will vary when using other brands. In general, other brands have slightly bigger radius.
- 3 inches clearance to combustibles required above horizontal pipe. Slope horizontal pipe upwards $\frac{1}{4}$ inch per foot. 1 inch clearance required around sides and bottom of horizontal pipe and around vertical pipe.
- When calculating other effective pipe lengths subtract approximately 1-1/2 inches per pipe joint - for example, adding a 12-inch pipe section will add approximately 10-1/2 inches overall.

Horizontal Takeoff



New Construction

Wall Finish

Planning Wall Finish

Non-Combustible Materials Specifications

Non-combustible materials will not ignite and burn. Such materials are those consisting entirely of steel, iron, brick, tile, concrete, slate, glass or plasters, or any combination thereof.

Materials that are reported as passing ASTM E 136, Standard Test Method for Behavior of Materials in a Vertical Tube Furnace at 750 °C shall be considered non-combustible materials.

Combustible Materials Specifications

Materials made of or surfaced with wood, compressed paper, plant fibers, plastics, or other material that can ignite and burn, whether flame proofed or not, or plastered or unplastered shall be considered combustible materials.

Non-combustible cement board (not required with -RC backing plates)

The H3 fireplace, when installed in a new construction application, requires a ½" [13 mm] thick non-combustible cement board or equivalent, to be used as a wall surface immediately above the unit—see diagram for minimum coverage.

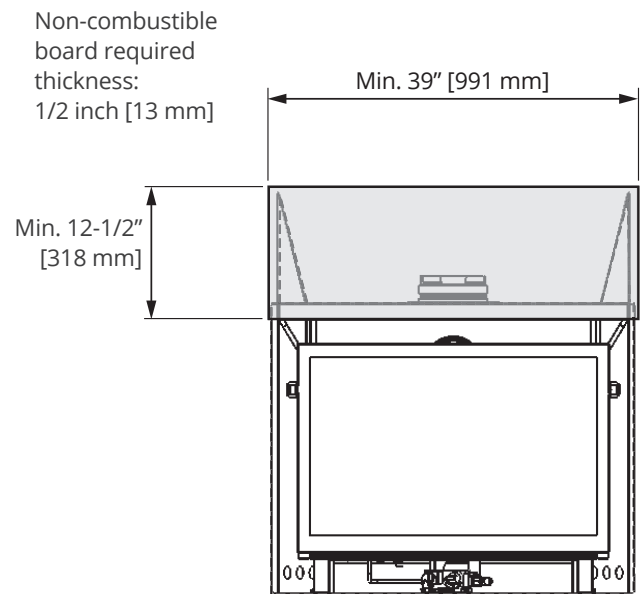
Extending the cement board well beyond the minimum shown will help avoid cracking due to differential expansion of materials. Pre-drill cement board with oversized holes and do not over-tighten screws to avoid cracking due to heat expansion.

Standard gypsum wall board may be used beyond the perimeter of the cement board although it is preferable not to change materials to help avoid cracking.

Finishing around trims

Additional non-combustible material such as tile and others may be applied over top of the wall surface or you may choose to leave it finished clean with no tile.

The 1030 Clean Installation Kit installs at framing stage and must be installed at the same time as the appliance. Wall finishes cover kit's panels and butt up to its fireplace opening frame.



Minimum cement board dimensions

New Construction

Wall Finish

New construction (non -RC) 1035 and 1040 trims install after wall finish is applied. The perimeter of trims overlap wall finish; therefore thickness of any wall finish materials must be taken into consideration. Trims have enough adjustability to allow up to 3/4" thick non-combustible material applied over top of 1/2" thick non-combustible board.

Be aware that a trim is always required and that the wall finish thickness must be taken into account for all installations other than the Clean Installation Kit 1030CIK.

Trims and fronts 1035 and 1040 will accept wall finish tucked under their edge up to approximately 1-1/4" thick.

Avoiding Cracking Wall Finishes

We recommend installing the optional HeatShift System to reduce the wall temperatures and minimize the possibility of cracking wall finishes.

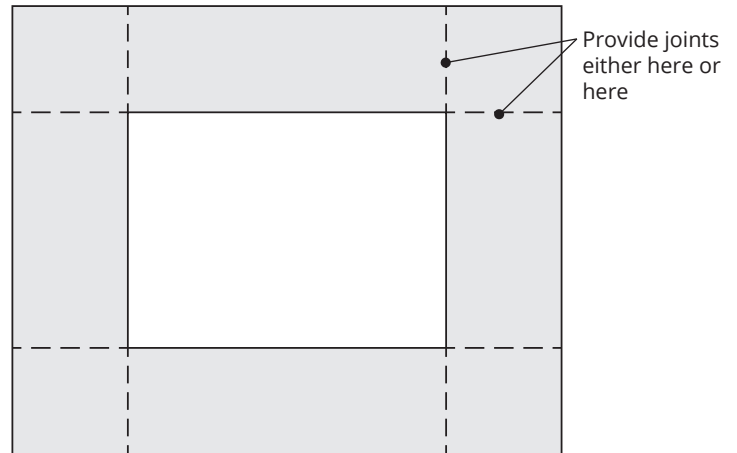
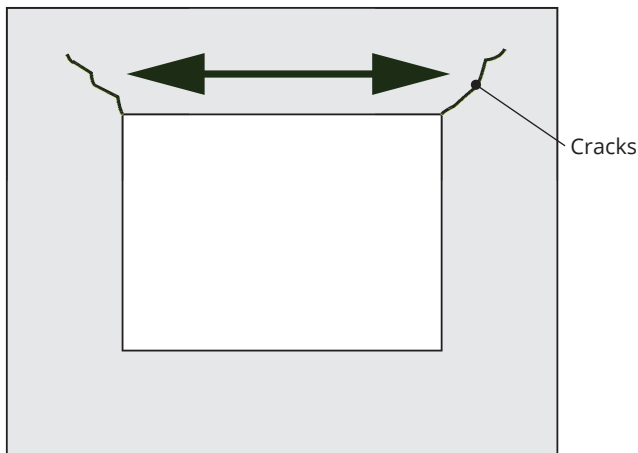
If a clean finish with no tile, etc. is desired, joints in the non-combustible board and the transition to gypsum board will require special attention if future cracking is to be controlled.

Shrinkage and differential movement of the framing and non-combustible wall board can transmit cracking through to tiles, etc.

Be aware that temperatures on the non-combustible wall surface above the appliance can exceed 200°F.

Below are some tips on how to best avoid any cracking:

- Allow materials to dry thoroughly before finishing the wall. Cement board has the ability to absorb up to 30 percent of its weight in water and may shrink as much as 1/8" over a 48" length when drying from a saturated condition. Running the fireplace for an extended period before final finishing will help drive out moisture.
- Always pre-drill screw holes through cement board and use screws with self-milling head.
- Always use mesh tape over joints.
- Always stagger joints in wall board.
- Behind joints, double up studs or use studs "on the flat" to add extra support to the joint. Adhesive on the backside of wall board behind any joints can help control differential movement.
- Use multiple, thinner coats of joint compound and allow to dry thoroughly between coats.
- Ensure framing materials are dry.
- After finishing the wall, introduce heat gradually to slowly dry any excess moisture rather than drying too fast.
- Avoid notching cement board or tiles around corners of window opening and instead provide a joint that intersects the corner.
- Avoid using large, one-piece slab of material with a cut-out in the middle as a surround for the fireplace. Expansion above the opening will cause cracking at inside corners. Provide a joint that intersects the inside corner to avoid cracking.



Retrofit Application

Overview

The H3 appliance with 1035-RC or 1040-RC (Reduced Clearance) versions of the backing plates are specifically designed for retrofit applications where an existing fireplace is being removed, and the existing wall finish and cavity remain. These backing plates incorporate a ventilation slot that allows for a lower combustible header height of 33", and combustible wall finishes from 31" of the base of the H3 appliance. The outer dimensions of the RC backing plates are larger, to cover a larger range of existing cavities.

Reduced Clearance backing plates DO NOT ADJUST for additional finishes applied later.

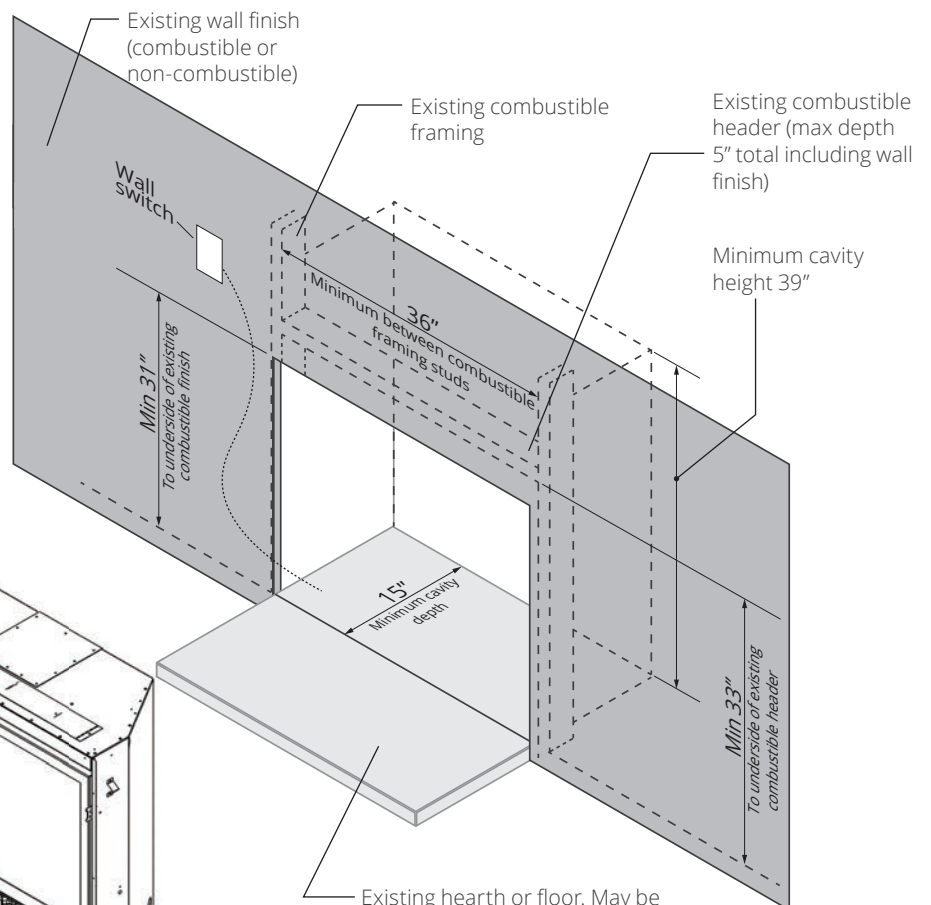
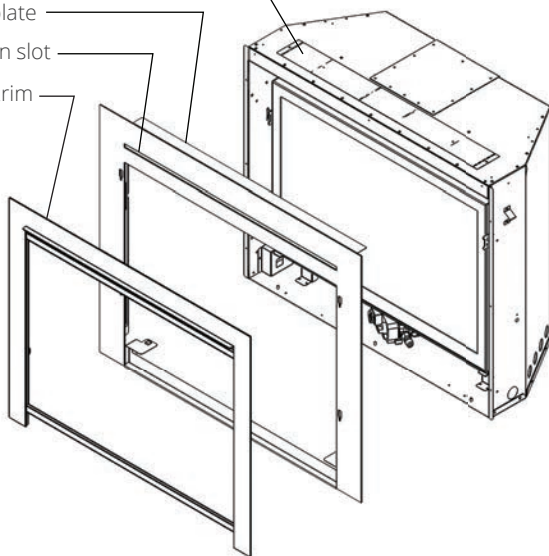
Note: Installers to verify all clearances to existing combustible materials are adequate before installing this appliance.

Note: Only Reduced Clearance (RC) style backing plates (with ventilation slot) can be used for this application.

Note: RC Backing Plates are not compatible with HeatShift.

Note: Leave standoffs flat on appliance for this application.

Backing plate
Ventilation slot
Required trim



Existing hearth or floor. May be combustible material provided it is no higher than the base of the appliance.

NOTE: The bottom of 4-sided backing plate 1040-RC extends 7/8" below bottom of appliance.

WARNING

SAFETY WARNING! The H3 is a very effective radiant heater.

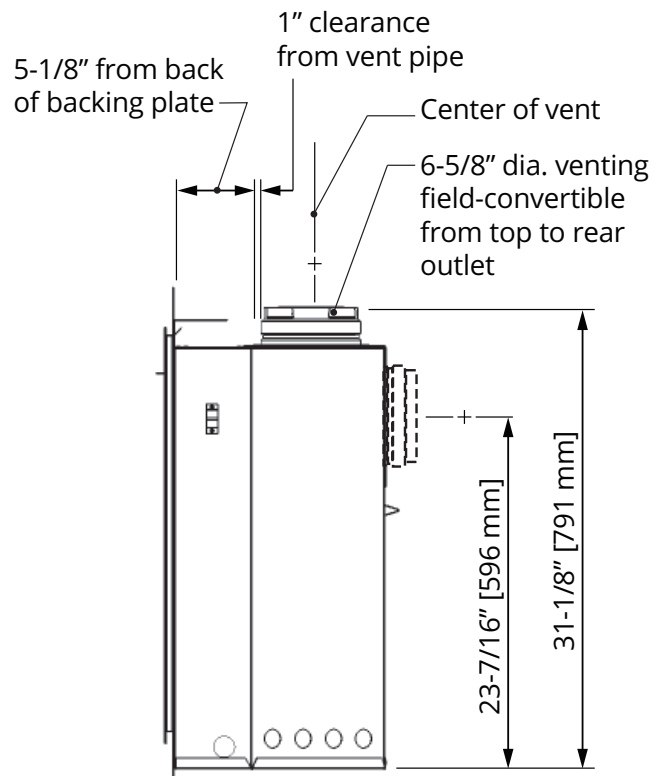
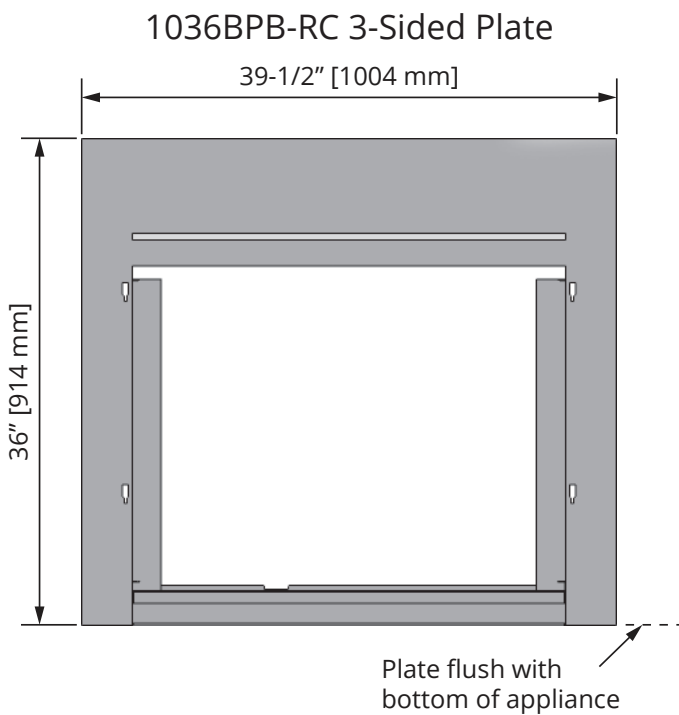
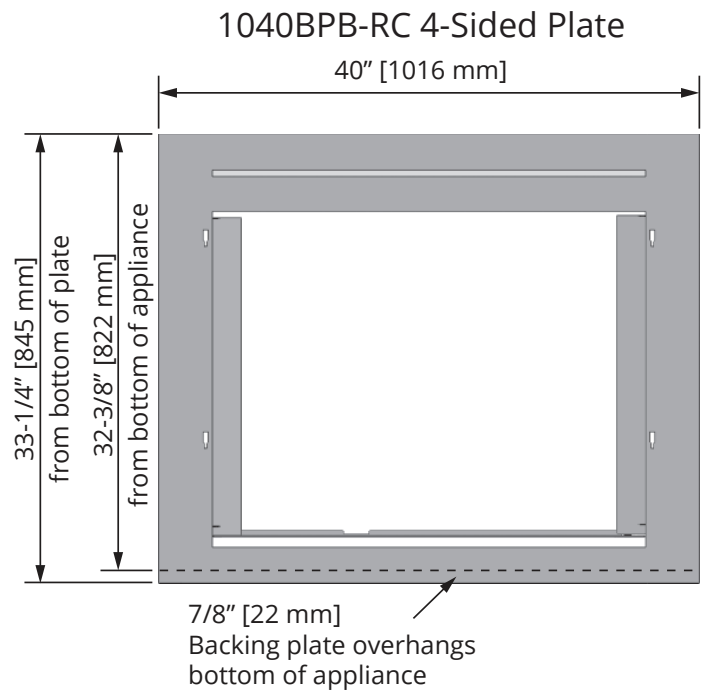
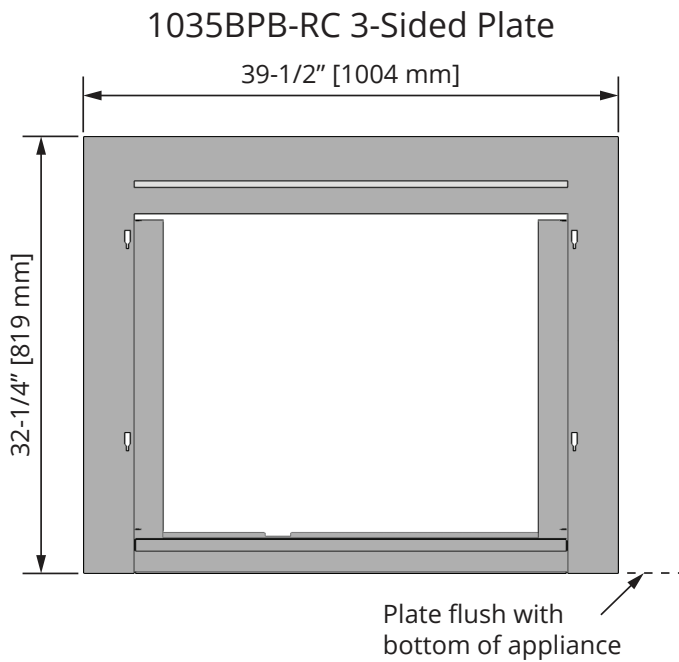
HOT WALL SURFACES! The wall directly above the fireplace is constructed of combustible materials and, although safe, it may reach hot temperatures depending on finish material.

HEARTH/FLOOR SURFACES! The hearth/floor in front of the heater can get very hot. Locating the unit raised above the hearth/floor and using the screen front will help reduce hearth temperatures. Note that some materials, although safe can degrade due to heat.

Retrofit Application

Overview

Backing Plates and Fronts—Reduced Clearance



Venting

Overview

Top or Rear Outlet

This unit is supplied with a top vent outlet which can be field-converted to a rear vent outlet. See *Installation* section for more information.

Vent Material

This unit is approved for installation using 4 x 6-5/8-inch co-axial direct vent pipe and accessories as listed in Approved Venting Components on pages 62-63 of this manual. Follow the installation instructions supplied with the individual venting accessories.

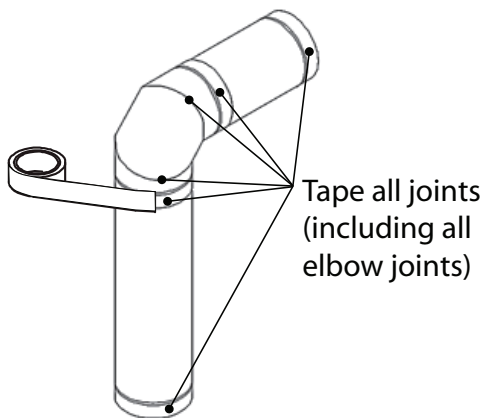
This unit may also be converted to co-linear (2 x 3 in) venting for use in solid-fuel burning fireplaces and chimneys using adapters and accessories—see Approved Venting Components on pages 62-63, and Vent Conversion on pages 28-32.

Vent Sealing

Seal all outer coaxial pipe and elbow joints, including sectioned elbow joints, using high quality, high temperature 2 inch wide self-adhesive aluminum foil tape (Nashua-322-2 brand or similar). Wrap the tape completely around all joints and press firmly to seal.

A high temperature black silicone sealant may be used in the outer joints as a substitute to foil tape.

Ensure all the pipe joints have a minimum of 1 ¼ inch overlap.

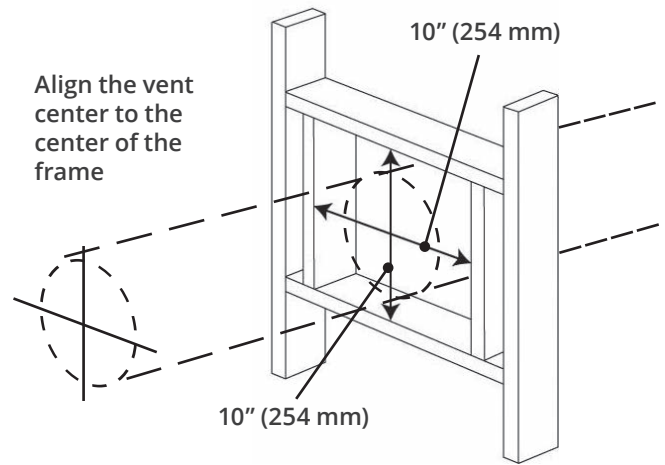


Wall Thickness

The appliance vent is suitable for penetrating a combustible wall assembly up to 8 inches in thickness. A non-combustible wall can be of any thickness up to the maximum horizontal run of vent pipe allowed for the particular installation.

Framing Vent in Combustible Walls & Ceilings

When penetrating through combustible walls and ceilings, frame a minimum of 10 in x 10 in opening and ensure that the insulation is kept clear of the vent pipe using either a wall thimble or an attic insulation shield. Follow the installation instructions supplied with the individual venting components.



Important Installer Notice – Weather Sealing & Vapor Barriers

It is the installer's responsibility to ensure that vent installations through exterior walls are caulked and weatherproofed in such a manner as to:

- Prevent rain water from entering the wall from the weather side by adequately caulking the outer vent plate to the exterior wall surface.
- Prevent moisture inside the home from penetrating into the wall structure by ensuring the inside wall plate is adequately sealed to the inside vapor barrier.
- Prevent rain water and moisture from entering the walls by sealing the joints between the outer vent tube and the inner and outer wall plates.

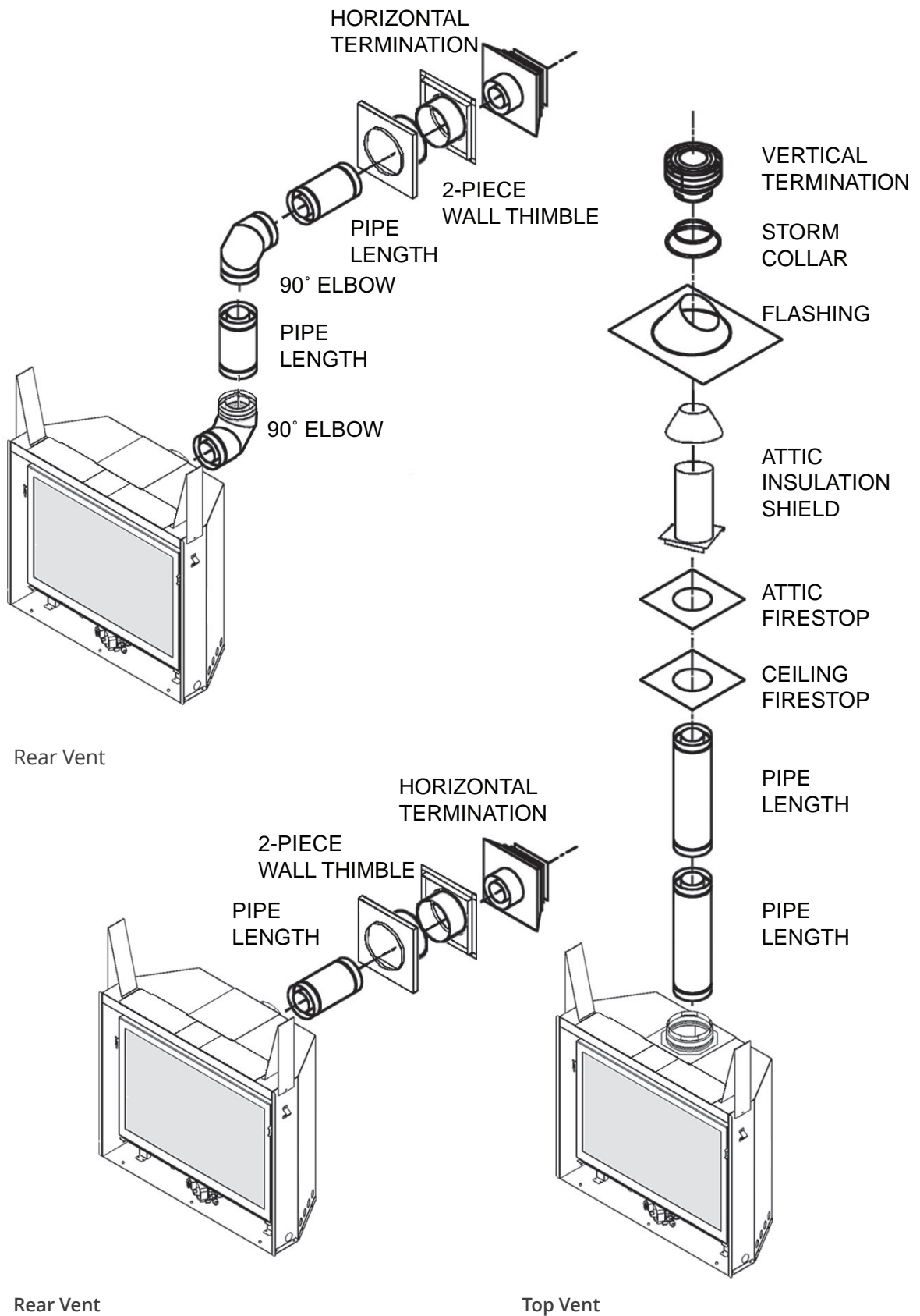
We recommend the use of a high quality polyurethane sealant.

All horizontal pipe runs must be graded 1/4 inch per foot upwards in the direction of the exhaust flow. The final pipe length, when terminating through the wall may be graded downwards slightly to prevent water migration.

Venting

Co-axial

Typical Co-axial Venting Components



How to Read the Venting Chart

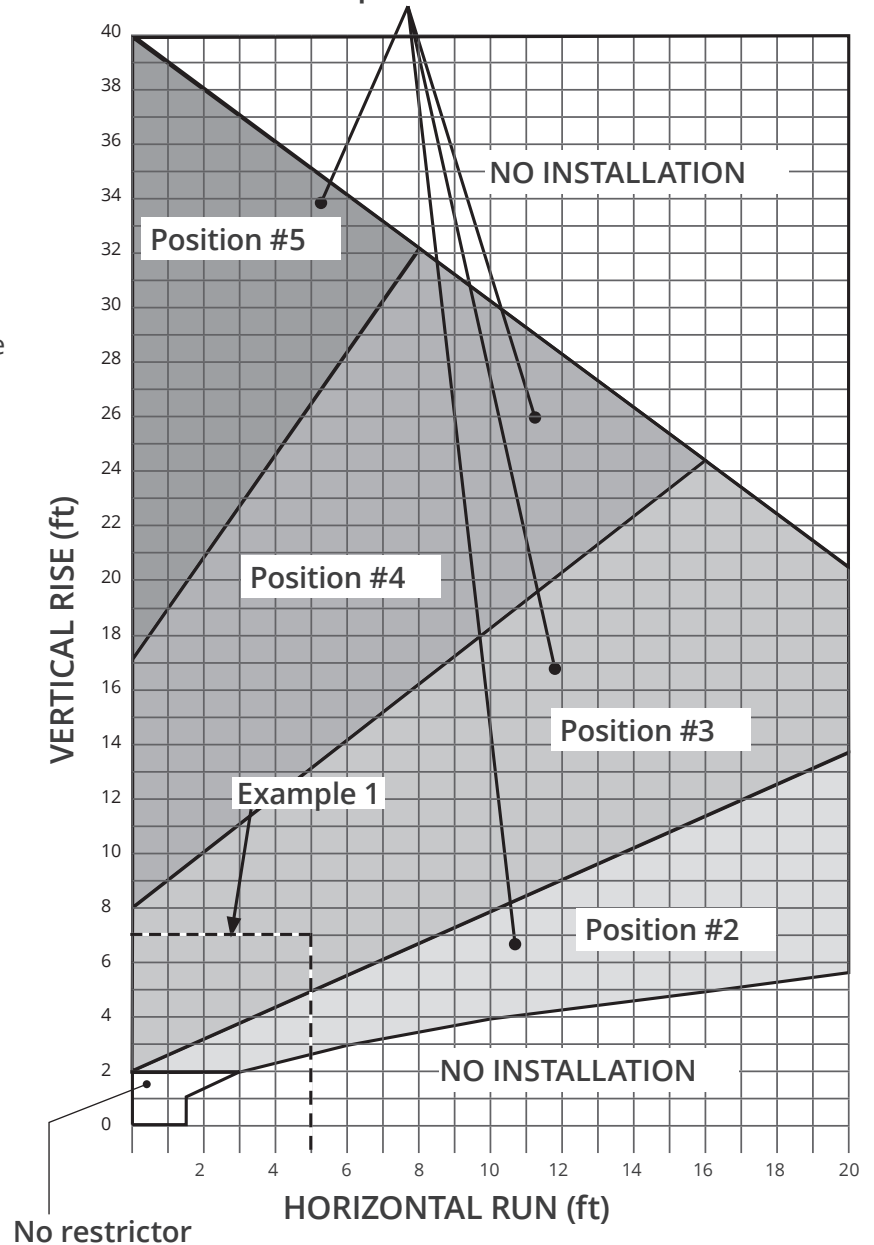
The chart below applies to co-axial roof or wall termination.

1. Maximum 18 inches horizontal pipe section allowed with no vertical in vent system. 45 degrees elbow ok on horizontal plane.
2. The total length of the vent pipe cannot exceed 40 feet.
3. The minimum vertical height with roof termination is 6 feet.
4. Any combination of rise and run can be used as long as they are within the allowable limits shown on the chart below.
5. A maximum of 4 x 90 degrees elbows—or equivalent (2 x 45 degrees = 90 degrees)—can be used.
6. Each 90 degrees elbow installed on the horizontal plane is equivalent to a 3 feet horizontal pipe; therefore, 3 feet must be subtracted from allowable horizontal run. (45 degrees elbow is equivalent to 18 inches horizontal pipe.)
7. All horizontal pipe runs must be graded 1/4 inch per foot upwards in the direction of the exhaust flow. The final pipe length, when terminating through the wall may be graded downwards slightly to prevent water migration.
8. A restrictor adjustment is required for most installations having a vertical rise—see next section.

Note: The restrictors are shipped loose with the appliance.

Venting Chart

Allowable Co-Axial Vent Configurations with restrictor positions



Example 1

$$V \text{ Value} = V1 (3') + V2 (2') + V3 (2') = 7'$$

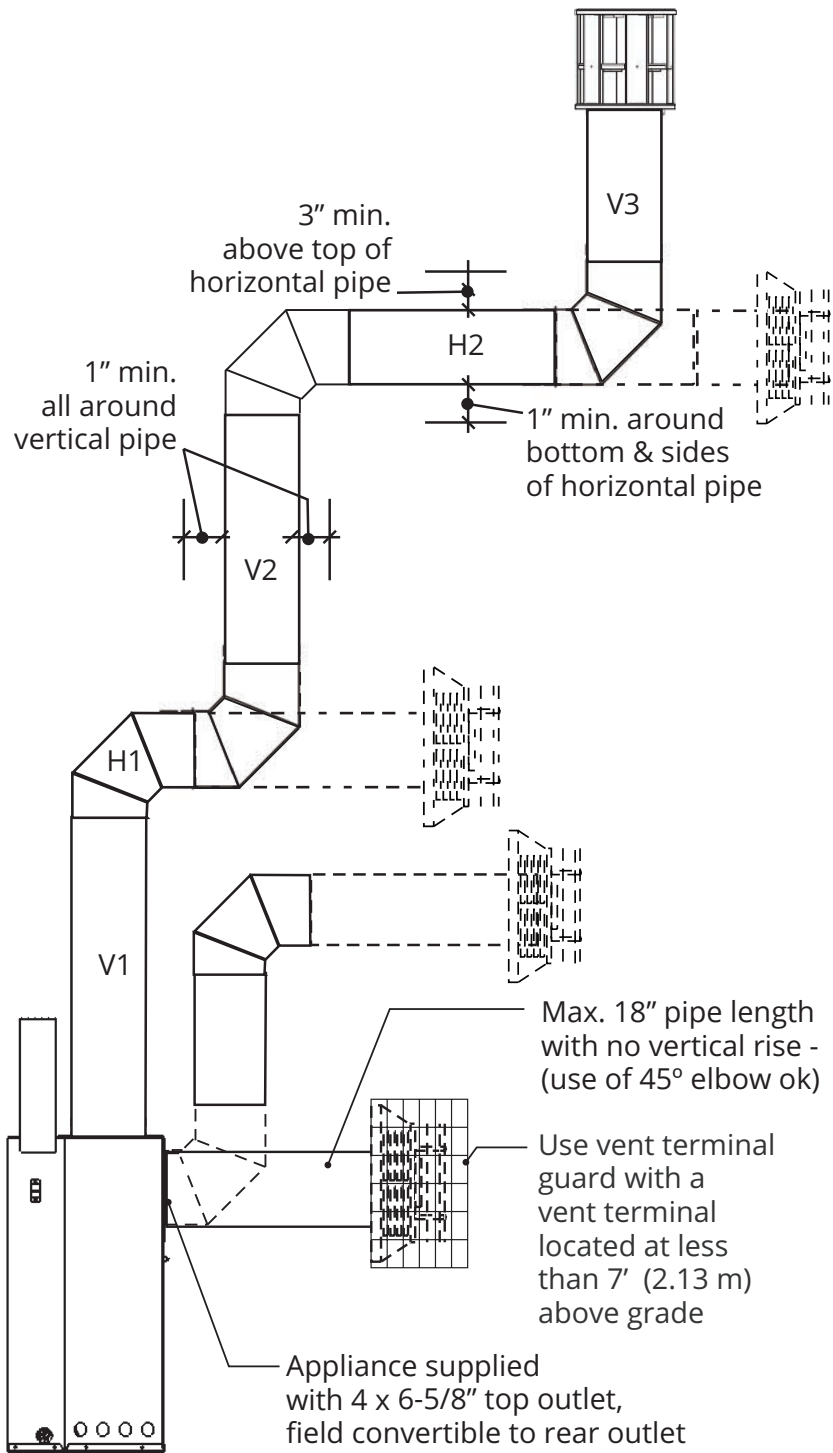
$$H \text{ Value} = H1 (3') + H2 (2') = 5'$$

Restrictor position #3 required

Venting

Co-axial

4 x 90° ELBOWS MAXIMUM
(or equivalent)



Restrictors

The restrictors are not required when less than 1'-0" vertical rise in vent system.

Install the restrictors in the roof of the firebox behind the top liner panel. Adjust the restrictors before installation of the top liner panel. Should subsequent adjustment be required, you will need to remove the top liner panel—see page 38.

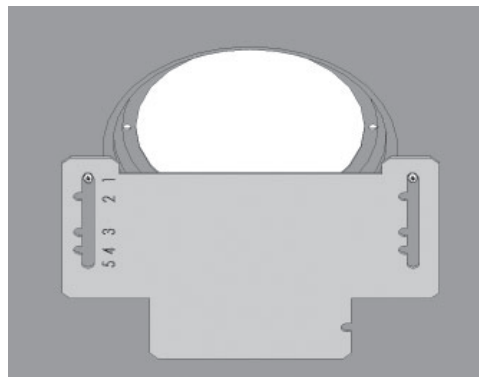
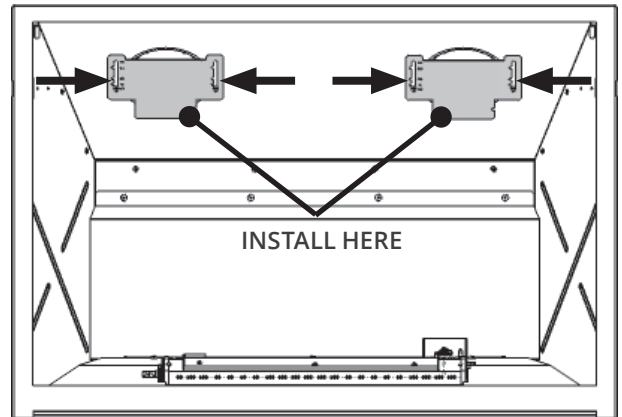
MOST INSTALLATIONS REQUIRE RESTRICTORS for improved flame picture and performance. This unit is supplied with restrictors having five different positions or settings. The level of restriction required depends on the vertical rise in the venting system and, to a lesser degree, the horizontal run and number of elbows.

The amount of restriction is based on laboratory tests. The ideal restrictor position may vary slightly, especially when the vent pipe length is near the limits of the acceptable configurations for each type of restrictor.

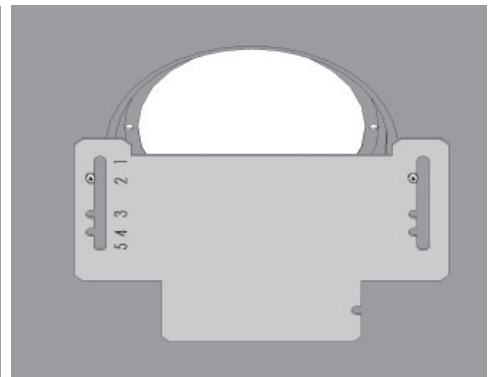
The chart on the previous page shows the vent restrictor positions required relative to the length of the vent pipe.

To set the restrictors position:

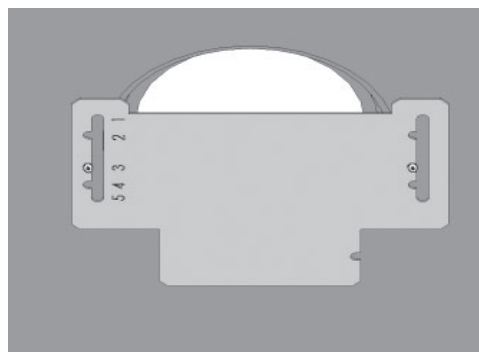
1. Establish the required position of the restrictors looking up the venting table on the previous page.
2. Fasten the restrictors using the screws (2) already installed on each side of the firebox roof ports.
3. Slide the restrictors in the required position.
4. Tighten the screws.



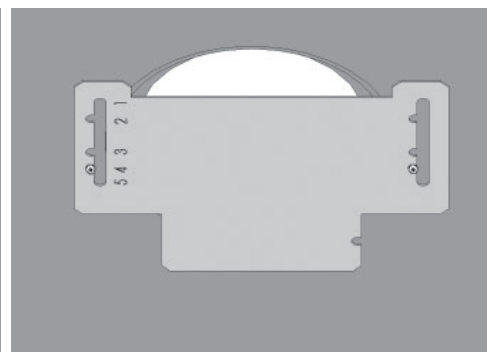
Position #1



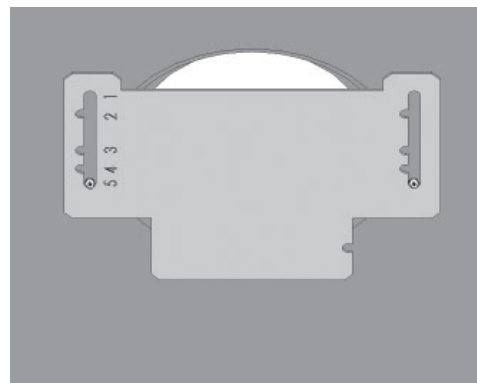
Position #2



Position #3



Position #4



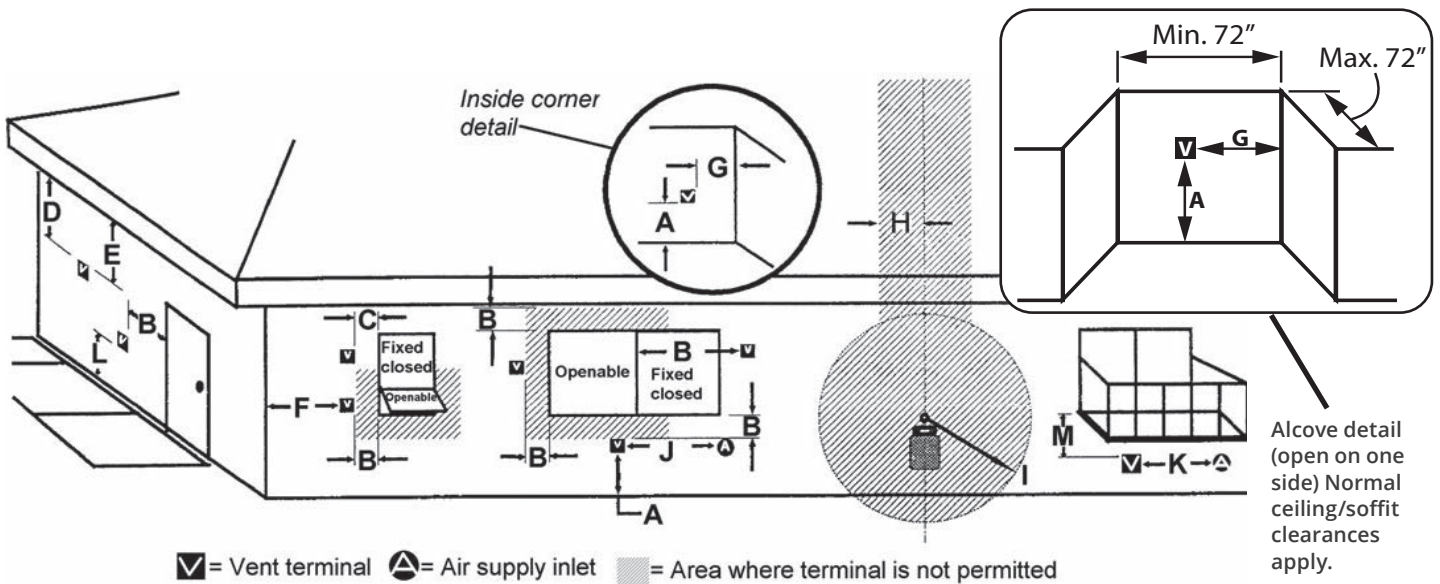
Position #5

Horizontal Vent Termination Location

- The vent terminal must be located on an outside wall or through the roof.
- This direct vent appliance is designed to operate when an undisturbed airflow hits the outside vent terminal from any direction.
- The minimum clearances from this terminal that must be maintained when located on an outside wall are shown in figure below. Any reduction in these clearances could result in a disruption of the

airflow or a safety hazard. Local codes or regulations may require greater clearances.

- The vent terminal must not be recessed into a wall or siding.
- The vent terminal should be positioned where any snowdrifts will not cover it.
- Sidewall vent terminations require a terminal guard such as 658TG or 845TG when accessible—within 7' of ground.



KEY	VENT TERMINAL LOCATIONS - MINIMUM DISTANCES	MINIMUM CLEARANCE	
		Inches	Cm
A	Clearance above grade, verandah, porch, deck or balcony	12	30
B	Clearance to window or door that may be opened	12	30
C	Clearance to permanently closed window (recommended to prevent condensation on window)	12	30
D	Vertical clearance to ventilated soffit located above the terminal within a horizontal distance of 2 feet (60 cm) from the center-line of the terminal	18	46
E	Clearance to unventilated soffit	12	30
F	Clearance to outside corner (measured from the center of vent)	12	30
G	Clearance to inside corner (measured from the center of vent)	12	30
H	Horizontal clearance to center-line of meter/regulator assembly located within 15 feet (4.6 m) below the terminal	36	90
I	Clearance to service regulator vent outlet	36	90
J	Clearance to non-mechanical air supply inlet to the building or the combustion air inlet to any other appliance	12	30
K	Clearance to a mechanical air supply inlet	72	180
L	Clearance above paved sidewalk or a paved driveway located on public property Note: A vent must not terminate directly above a sidewalk or paved driveway, which is located between two single-family dwellings and serves both dwellings. THIS DOES NOT APPLY to direct vent, non-condensing appliances in the Province of Ontario.	84	210
M	Clearance under a verandah, porch, deck or balcony <i>Only permitted if veranda, porch, deck or balcony is fully open on a minimum of 2 sides beneath the floor</i>	12	30

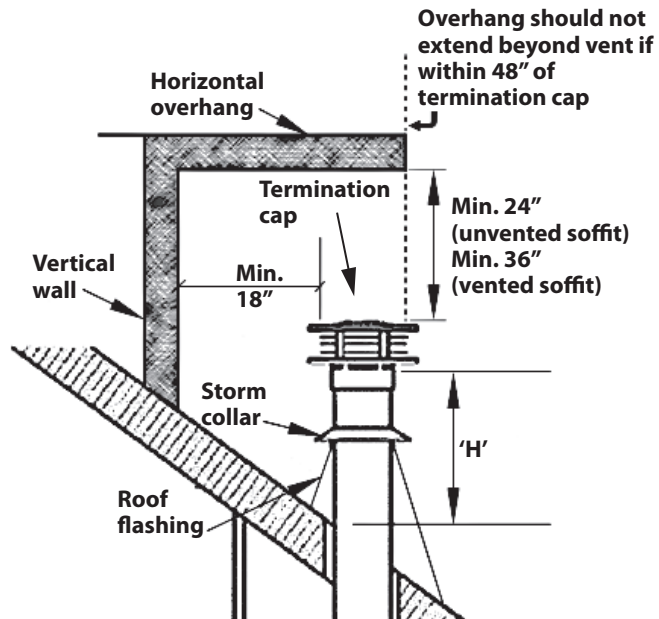
Note: Local codes and regulations may require different clearances.

Venting

Co-axial

Vertical Vent Termination

Roof Pitch	Minimum "H" (feet)
Flat to 7/12	1'
Over 7/12 to 8/12	1.5'
Over 8/12 to 9/12	2'
Over 9/12 to 10/12	2.5'
Over 10/12 to 11/12	3.25'
Over 11/12 to 12/12	4'
Over 12/12 to 14/12	5'



Venting

Vent Conversion

Applications

This appliance can be converted to install as a co-linear application or as a co-axial using flex pipes application. The co-linear or co-axial flex portion of the vent system may only be installed within a solid-fuel burning appliance.

This appliance must not be connected to a chimney flue serving a separate solid-fuel burning appliance.

Types of Installations

- Installation into an existing adjacent chimney
- Complete installation into an existing fireplace
- Partial installation into an existing fireplace
- Installation in chimney using co-axial flex venting

See the following pages for each installation details.

Rules for Co-Linear Venting

- Maximum 40 feet vertical pipe
- Minimum 10 feet vertical
- Maximum offset 8 feet with liners at minimum 45 degrees from horizontal plane
- Restrictor: Not used for co-linear venting.

NOTE

Co-linear or co-axial flexible aluminum venting liners should be professionally inspected periodically for corrosion and damage and replaced when necessary. If the installation does not allow for future inspection or replacement of the flexible aluminum liners, then stainless steel vent liners are recommended.

Venting

Co-Linear Into Existing Solid Fuel Chimney

NOTE

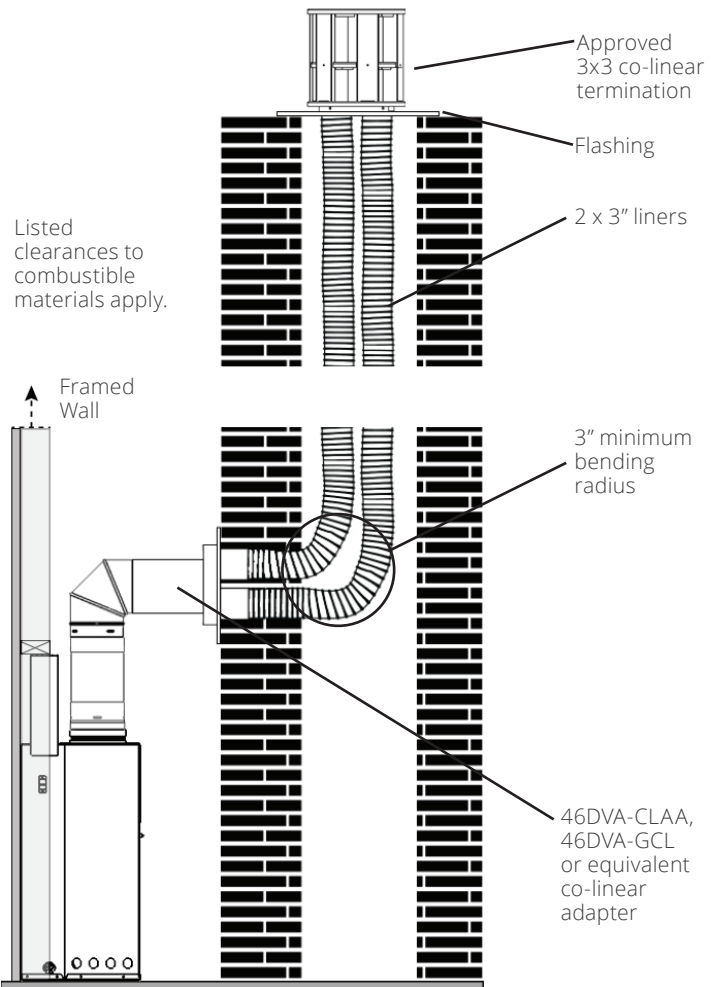
Co-linear liners must only be installed within a solid fuel burning fireplace and chimney when converting at unit.

Required venting components:

- Approved Co-Axial to Co-Linear appliance adapter;
- Two lengths of 2-ply, 3" diameter flexible chimney liners approved for venting gas appliances;
- A co-linear termination kit and flashing or, a co-linear to co-axial adapter;
- A high wind vertical vent terminal cap or, a low profile vertical termination.

The appliance must be installed within a fully framed wall cavity, consistent with a New Construction application as described in this document.

Vent Conversion



Co-Linear installation using nearby/adjacent existing chimney - Conversion at chimney

Venting

Vent Conversion

Co-Linear Into Existing Solid Fuel Fireplace

NOTE

Co-linear liners must only be installed within a solid fuel burning fireplace and chimney when converting at unit.

Required venting components:

- Valor 1000CLA Flex Co-Linear Adapter Kit;
- Two lengths of 2-ply, 3" diameter flexible chimney liners approved for venting gas appliances;
- Co-linear termination kit and flashing or co-linear to co-axial adapter;
- High wind vertical vent terminal cap or low profile vertical termination.

Complete Installation into an Existing Fireplace

The appliance can be installed completely inserted into the non-combustible cavity as illustrated below.

In this case, the firebox zero clearance standoffs supplied with the heater are not required.

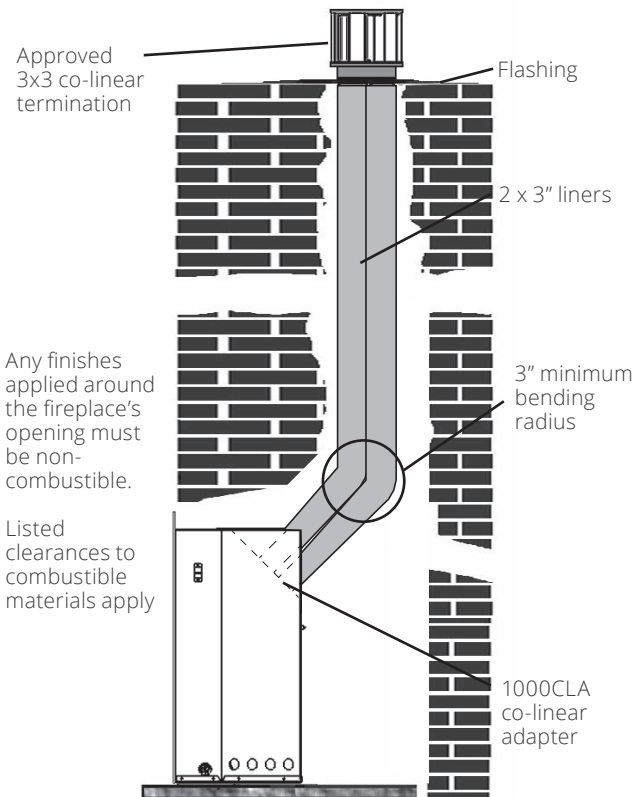
Partial Installation into an Existing Fireplace

The appliance can be partially inserted into the non-combustible cavity as illustrated below.

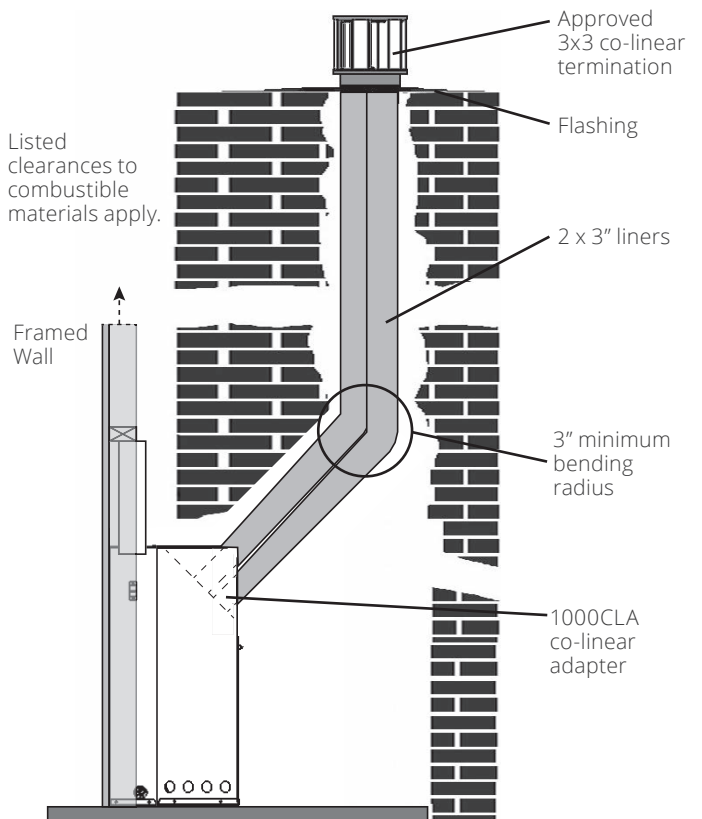
In this case, the appliance must be installed **within a fully framed wall**, consistent with a New Construction application as described in this manual.

NOTE

See 1000CLA Installation Guide for further details and installation instructions.



Co-Linear installation fully inserted into existing fireplace - Conversion at unit



Co-Linear installation partially inserted into existing fireplace - Conversion at unit

Venting

Vent Conversion

Co-Axial Flex Into Existing Solid Fuel Fireplace

NOTE

Flex liners must only be installed within a solid fuel burning fireplace and chimney when converting at unit.

The appliance can be adapted to flexible co-axial applications using an existing fireplace and cavity.

Required venting kits:

- Valor 1000CAA Flex Co-Axial Appliance Adapter;
- Valor 590FVK2 Flex Vent Kit
- High wind vertical co-axial vent terminal cap or low profile co-axial vertical termination

Complete Installation into an Existing Fireplace

The appliance can be installed completely inserted into the non-combustible cavity as illustrated below.

In this case, the firebox zero clearance standoffs supplied with the heater are not required.

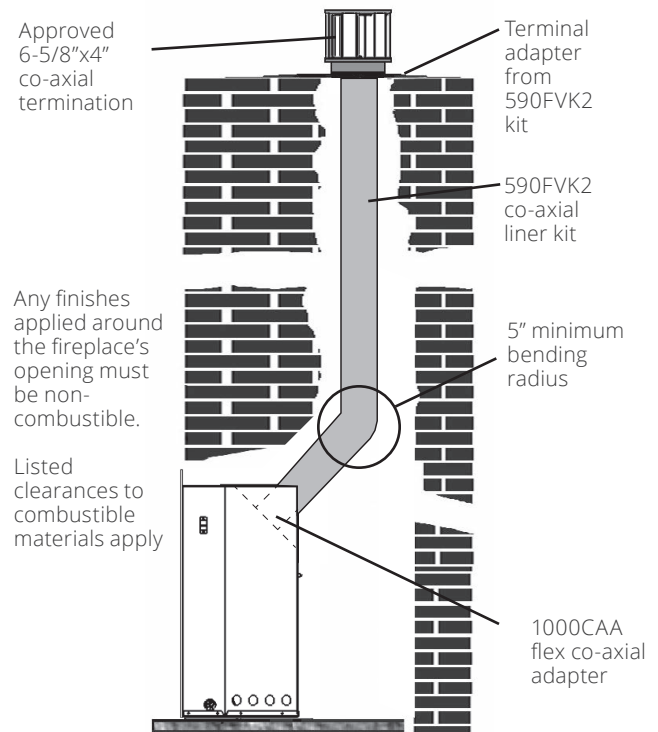
Partial Installation into an Existing Fireplace

The appliance can be partially inserted into the non-combustible cavity as illustrated below.

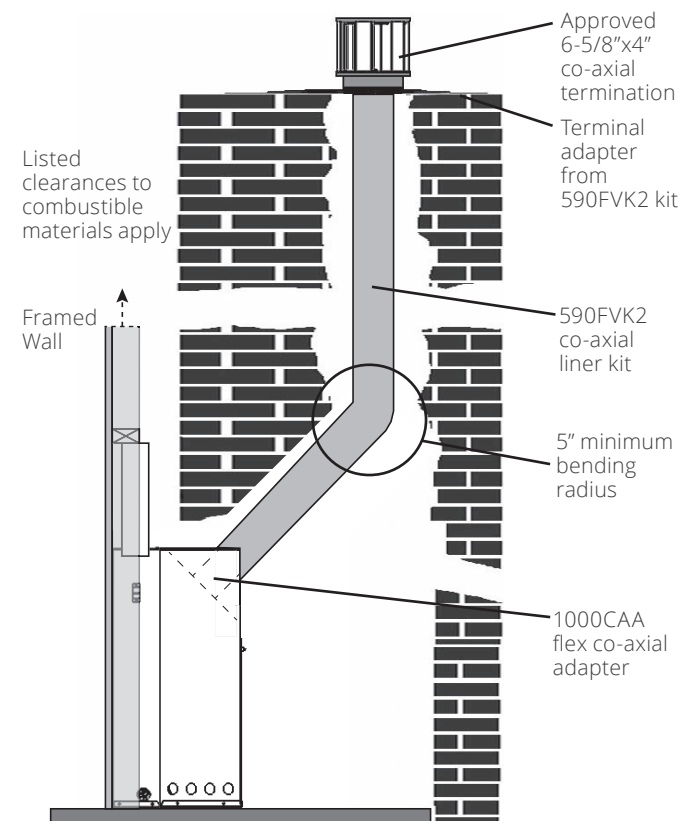
In this case, the appliance must be installed **within a fully framed wall**, consistent with a New Construction application as described in this manual.

NOTE

See 1000CAA and 590FVK2 Installation Guides for further details and installation instructions.



Flex Co-Axial installation fully inserted into existing fireplace - Conversion at unit



Flex Co-Axial installation partially inserted into existing fireplace - Conversion at unit

Venting

Vent Conversion

Adapters and Terminations

Examples of Co-axial to Co-linear Adapters



1000CLA

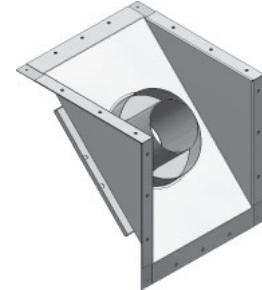


46DVA-GCL



46DVA-CLAA

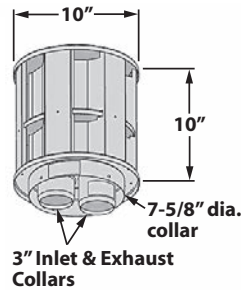
Co-axial to Flex Co-axial Adapter



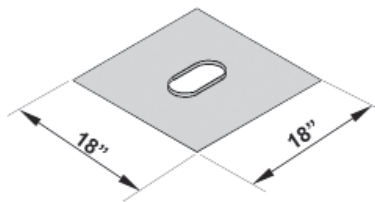
1000CAA

Use with 590FVK2 + Co-axial Terminal Cap (both sold separately)

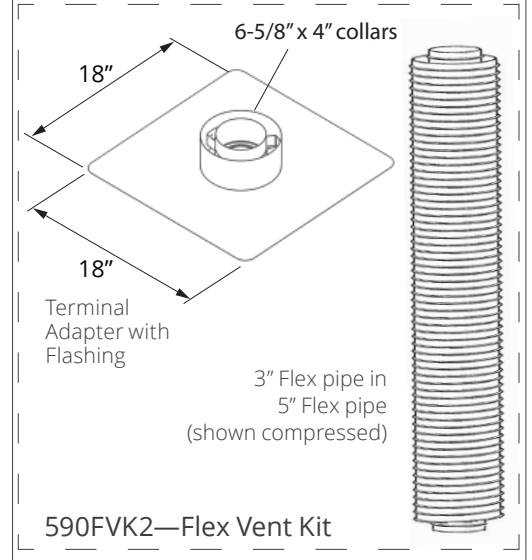
Examples of Co-linear Terminal Configurations



Co-Linear Terminal (typical)

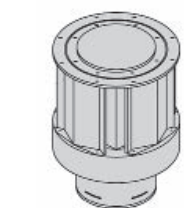


Flashing



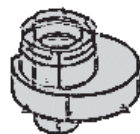
590FVK2—Flex Vent Kit

Alternate Co-linear-to-Co-axial Conversion at Terminal

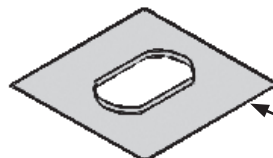


Co-axial Terminal Cap

With...



Co-Linear to Co-Axial Adapter



Flashing

Appliance Preparation

Vent Outlet

Unpack Appliance



Caution

Beware of sharp edges! Wear gloves!

1. Remove packaging from appliance and discard.
2. Unpack any loose items from around the appliance.
3. **Verify that you have all the components required for the installation, including:**
 - approved non combustibile cement board, if required;
 - liners and fuel bed (in separate cartons);
 - backing plate and trim kit with barrier screen OR 1030CIK Clean Installation Kit;
 - venting components and accessories;
 - electrical components if installing optional fan.

Convert Vent Outlet (if required)

This unit is supplied with a top vent outlet which can be field-converted to a rear vent outlet. If appliance is to be vented on top, go to next step.

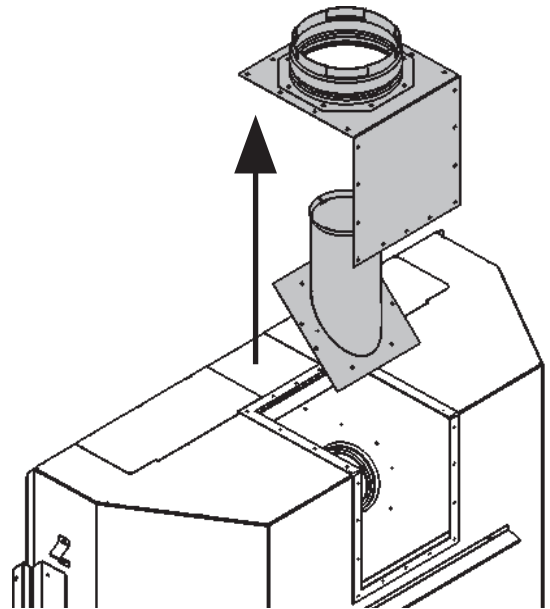
If appliance is to be vented from rear, it must be converted:

NOTE

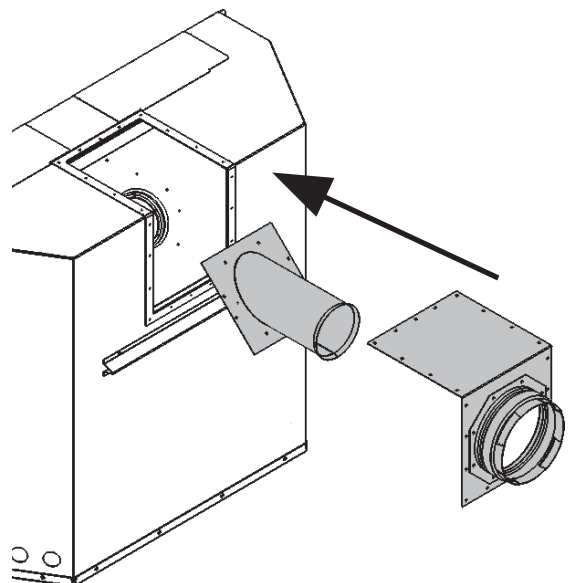
If converting the appliance to use 1000CAA or 1000CLA adapters, see the Installation Instructions included with each adapter kit.

1. Remove the following parts in this order:
 - a. Top outlet collar, gasket and intake plate from appliance;
 - b. Exhaust collar.

NOTE: Gaskets are glued to appliance or intake plate; it is not necessary to separate them from the parts they are attached to. However, if they need to be manipulated, **BE CAREFUL not to damage them** because their material is fragile.



3. Re-install through vent opening at rear of appliance in reverse order in which you took parts out.



Appliance Preparation

Stand-offs

Install Stand-offs

Stand-offs are supplied flat on firebox and are secured at one end.

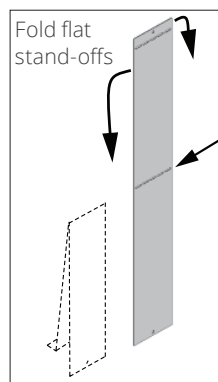
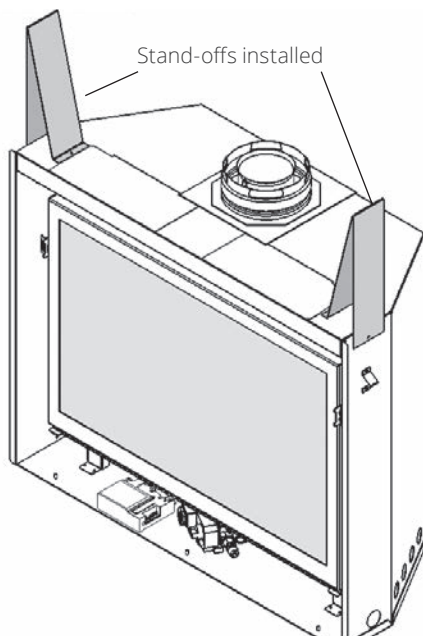
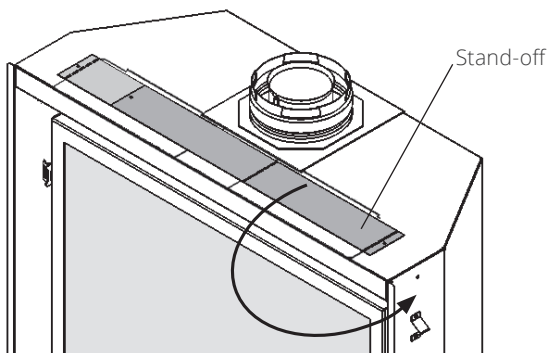
1. For retrofitting in existing framing: Leave the stand-offs flat on appliance case.



Caution

Installer to verify clearances to all existing combustible construction before retrofitting appliance into existing wall cavity.

2. For new construction framing: swivel up flat stand-offs, bend them as shown and secure loose end to top of firebox.



Appliance Preparation

Optional HeatShift

If You Are Installing HeatShift ONLY

To be effective, the HeatShift system requires that an internal convection baffle located above the firebox inside the appliance case be removed to allow the hot air flow to convect upwards into ducts installed on the fireplace. Takeoff collars also need to be installed on top of the fireplace.

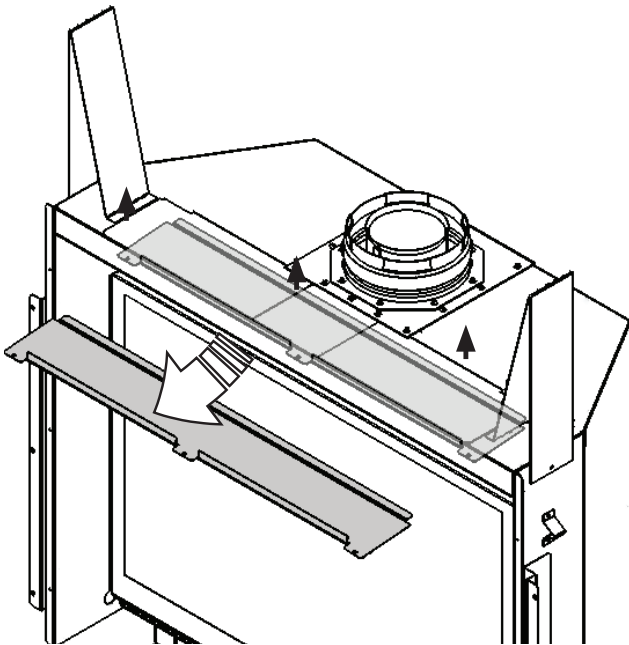
See Appendix D - HeatShift System on page 72 for more details regarding HeatShift installation and planning.

DO NOT perform these steps if you are not installing the optional HeatShift kits!

Remove Convection Baffle

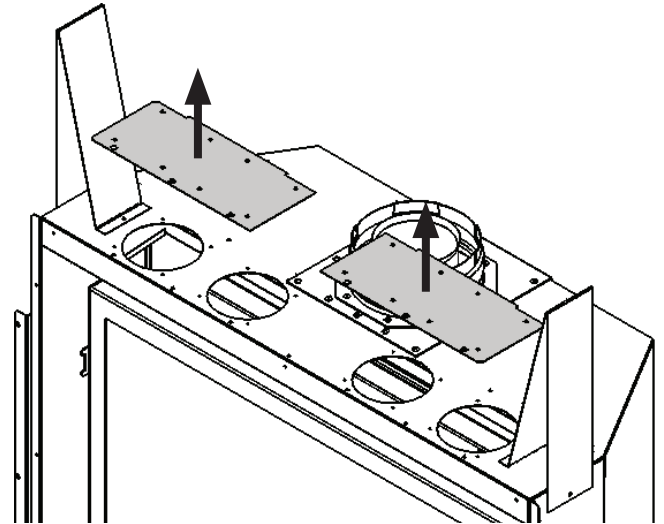
Remove the convection baffle from the appliance. It is held in place by 3 screws located right behind the upper edge of the fireplace opening. Recycle this panel as it is no longer needed.

Top of fireplace shown transparently for clarity.

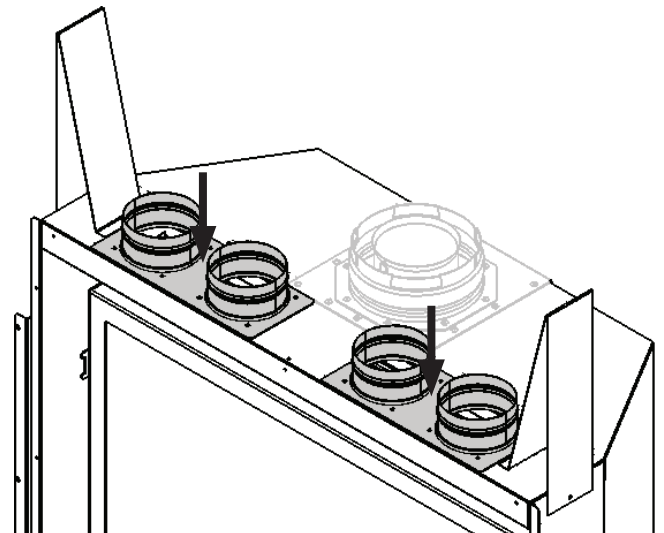


Install HeatShift Take-Off Collars

1. Remove the two cover plates on top of the appliance case (8 screws each).



2. Install the take-off collars on the holes on top of the appliance's case (8 screws each).



WARNING

The H3 fireplace requires the removal of the internal convection baffle for the HeatShift system to function properly—read instructions carefully!

WARNING

All FOUR (4) takeoffs MUST BE CONNECTED TO PLENUM(S).

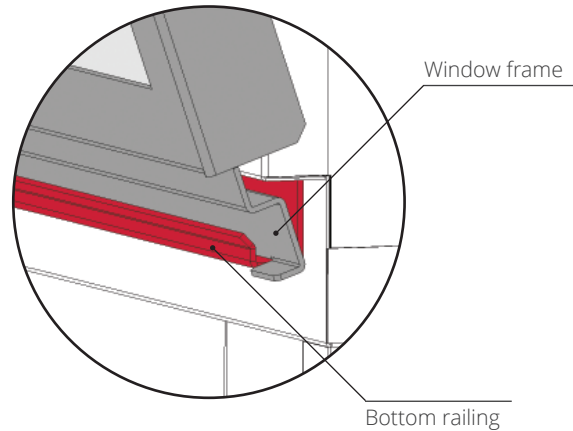
Appliance Preparation

Remove Window

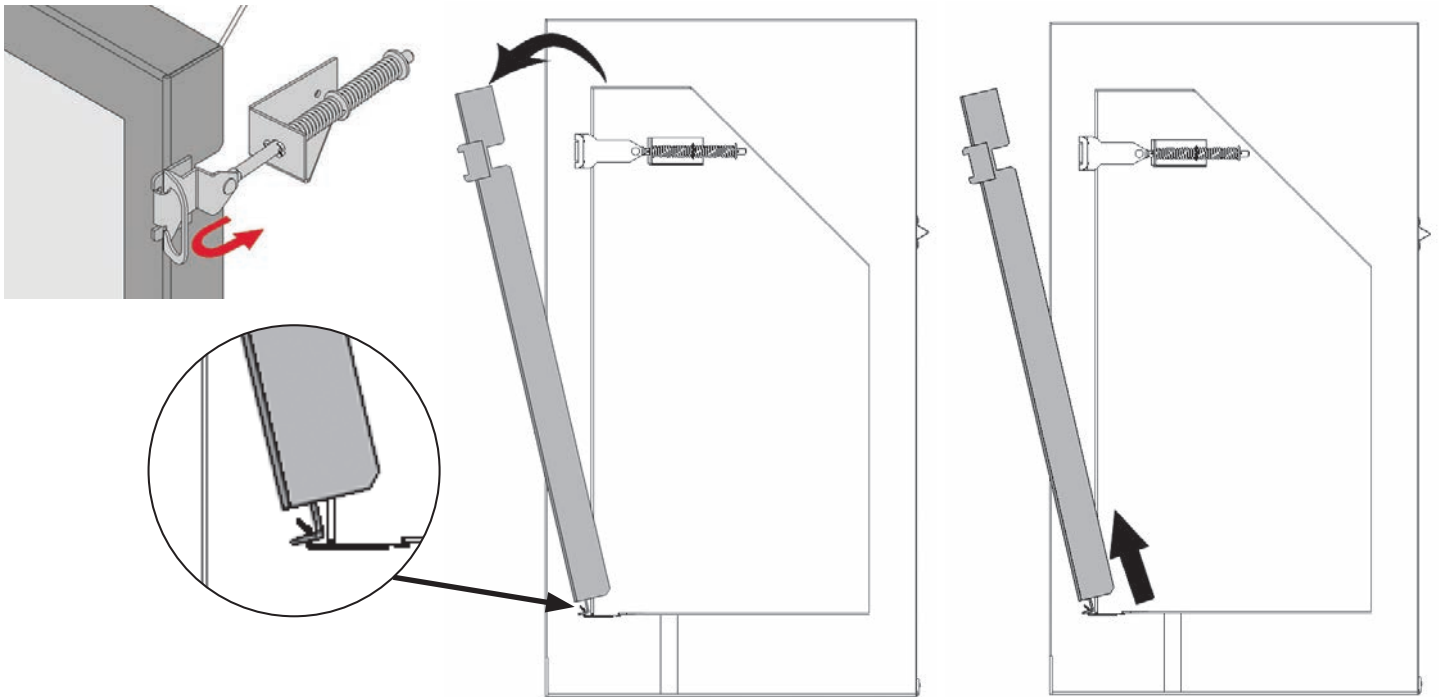
Remove Window

The window is held in place by a spring-loaded lever on each side of the firebox.

1. To remove the window, locate the levers on each side of the window towards the top. Using your finger, pull the lever towards you and unhook it from the window frame bracket.
2. Gently pull the top of the window outward.
3. Lift the window out of its bottom railing and set it aside in a safe place to avoid damage.



Section Views



Installation

With 1030CIK—Clean Installation Kit

Install Appliance for 1030 Clean Installation Kit (new construction only)

The 1030 Clean Installation Kit installs at the time of framing the appliance. Wall finishes are then applied over top of flanges and butted up to 1030's frame.

The side brackets provided loose with the appliance are not needed with this kit.

The 1030 Clean Installation Kit is not compatible with any other trim kit.

No



Hearth considerations

You need to know whether there will be a hearth or not in front of the appliance and some rules must be considered:

Without hearth (up the wall)

In the case where there is no hearth, the wall finish can extend up to the flange at bottom of 1030CIK. See diagram.

With hearth

Combustible hearths and flooring are allowed providing they are flush with, or below, the bottom of the appliance. Hearths raised above the bottom of the appliance (max. 1-5/8" thick) will need to be constructed of non-combustible material and use a thermal break such as Micore between the non-combustible finish and any combustible sub-floor below.



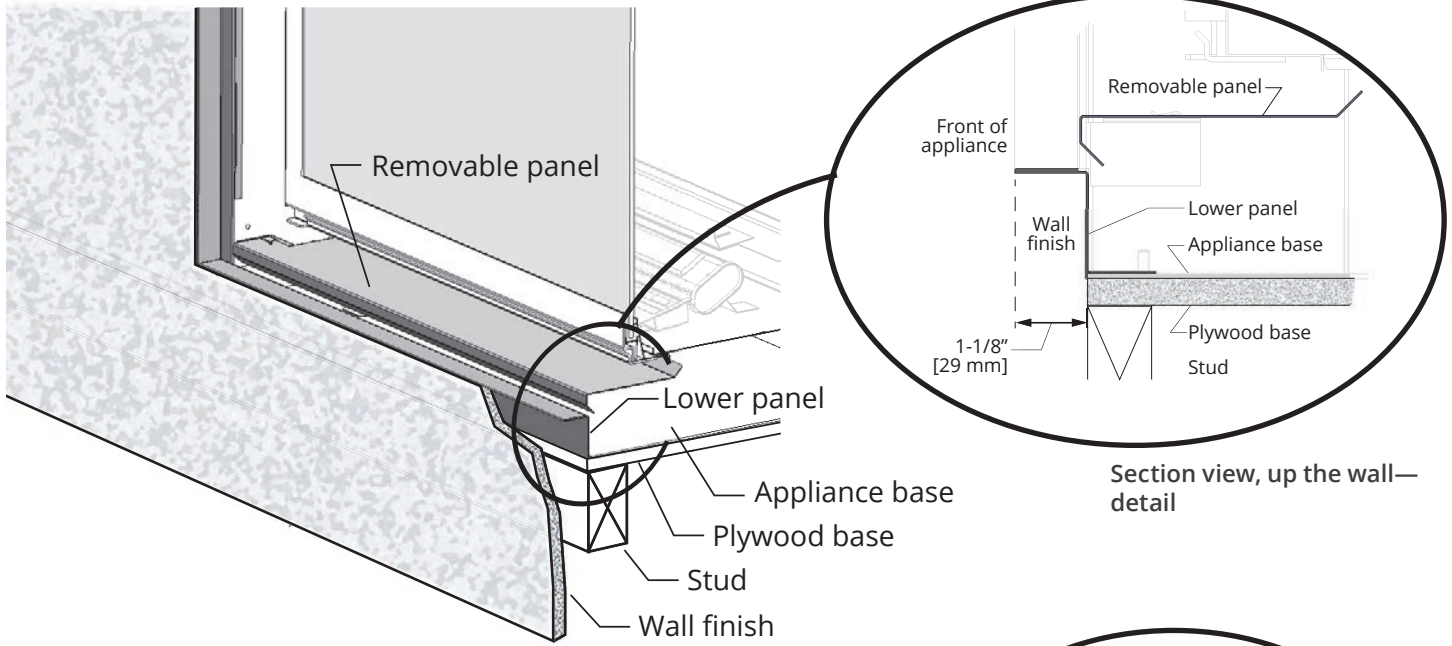
WARNING

Raised, non-combustible hearths, although safe, can get quite hot and may present a burn hazard to children and other at-risk individuals.

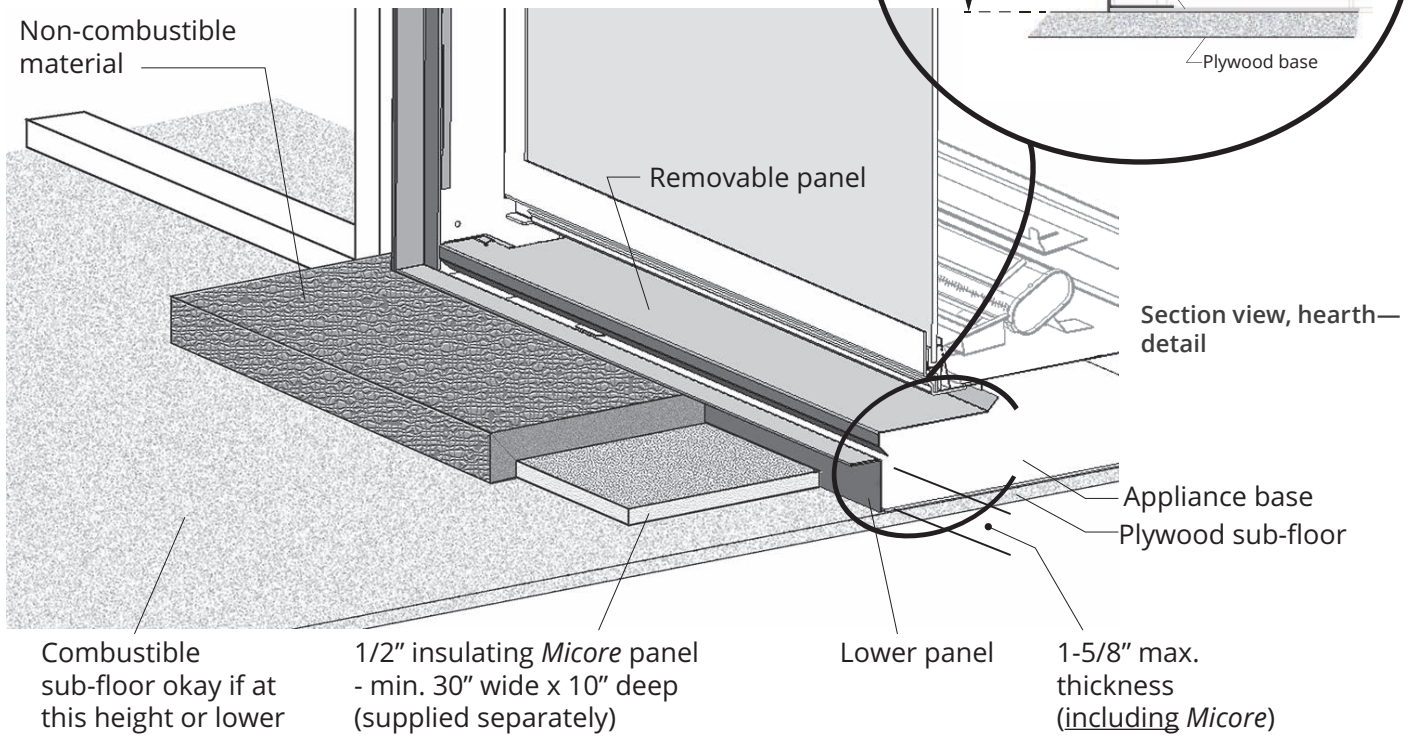
Installation

With 1030CIK—Clean Installation Kit

1030CIK - Finishing up the wall



1030CIK - Finishing with hearth

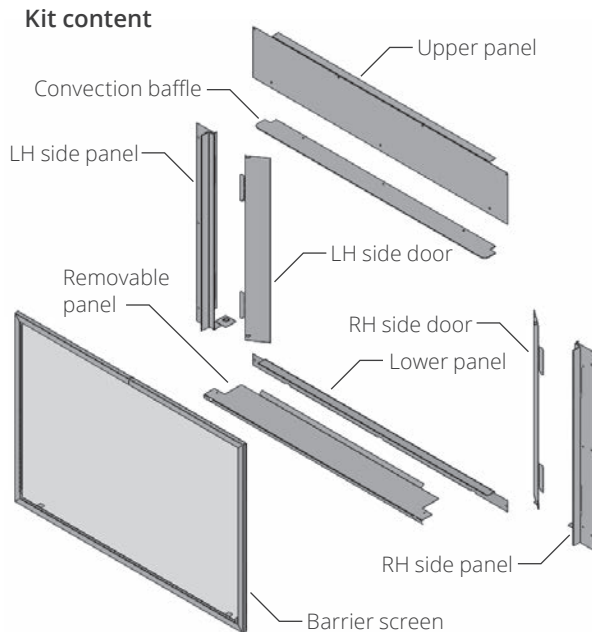


Installation

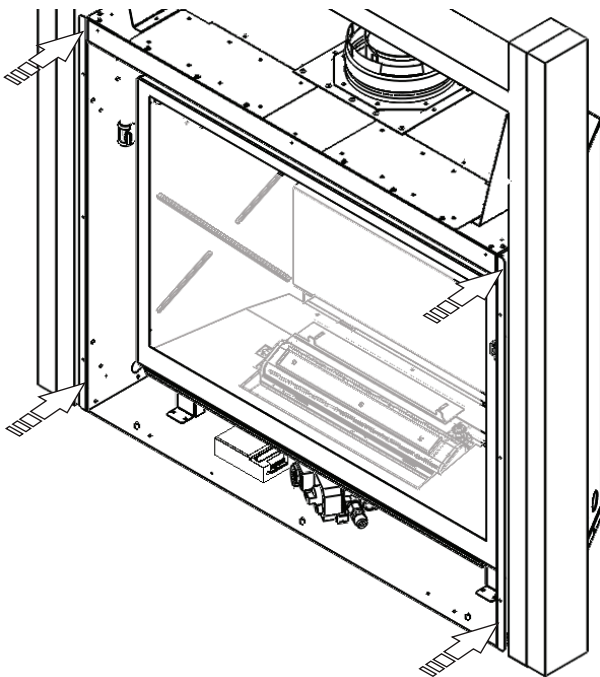
With 1030CIK—Clean Installation Kit

Install 1030CIK to appliance

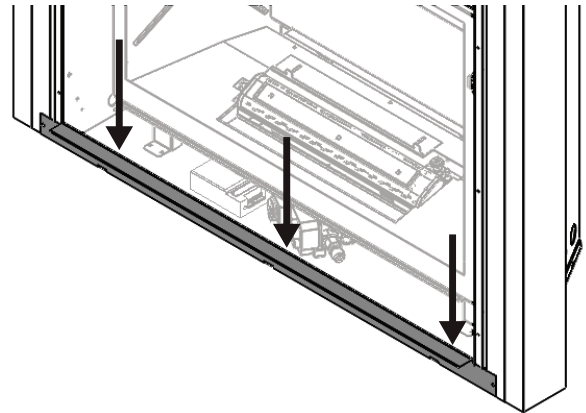
1. Unpack 1030 kit ensuring you have all pieces on hand.



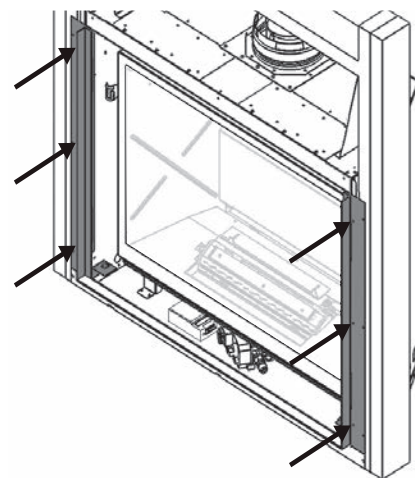
2. Align the appliance with the cavity, and push it in until the front face is flush with the studs.



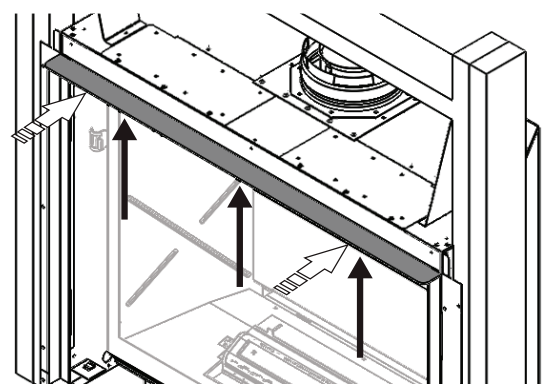
3. Install the lower panel using the three bolts at the base of the appliance (3 nuts).



4. On the appliance, install the side panels as indicated (3 x 1/2" screws per side).



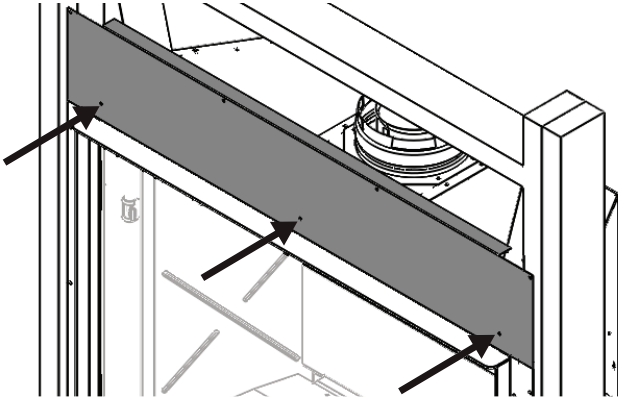
5. Slide the convection baffle under the top edge of the appliance, then secure it as indicated (3 x counter-sunk 3/8" screws).



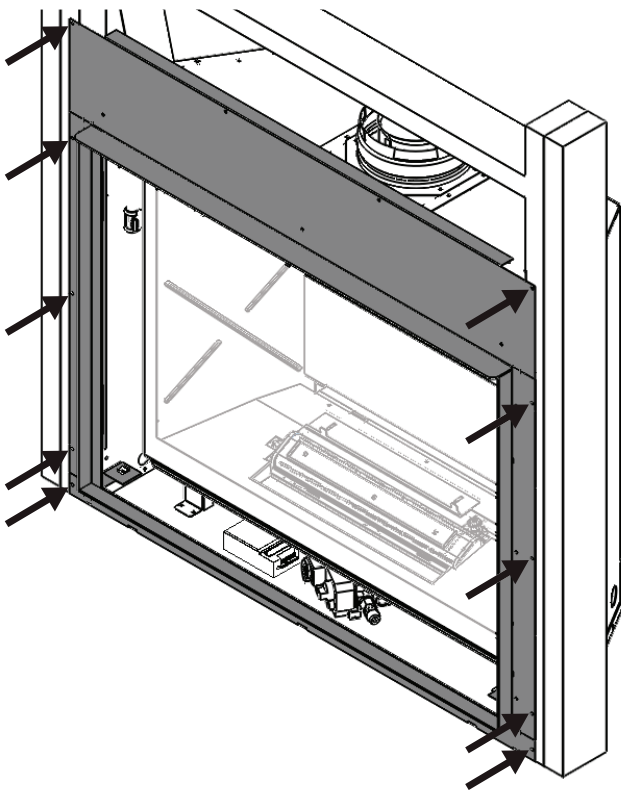
Installation

With 1030CIK—Clean Installation Kit

6. Install the top panel as indicated (3 x 1/2" screws).



7. Ensure the appliance is snug against the framing and fix it to the studs on each side (5 fixing points per side). Use wood screws (not supplied with this kit).



8. Set aside the side doors, removable panel and barrier screen to install later when the appliance's set-up and wall finish application are completed.
9. Continue the installation of the heater as indicated in the manual supplied with the heater.

Installation

With 3 or 4-Sided Backing Plates

Install Appliance for 3 or 4-Sided Trims and Fronts (new construction only)

3-sided trims 1035 and 4-sided trims 1040 are fitted to appliance once its installation and wall finish application have been completed.

Side brackets provided loose with appliance are required for those trims and fronts.

Yes

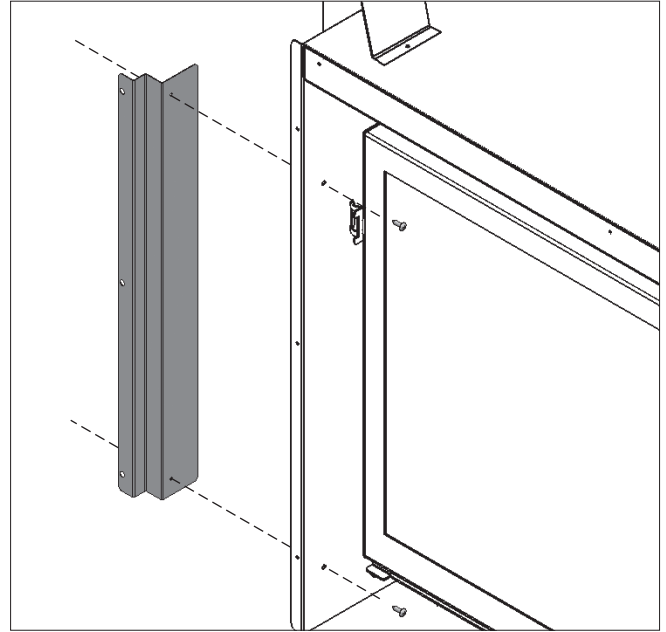


Hearth considerations

You need to know whether there will be a hearth or not in front of the appliance and some rules must be considered—see pages 11 to 13 for more information.

Fit Appliance to Framing

1. Install stud brackets on each side of the appliance (2 screws per bracket).



2. Taking great care not to cut your hands on the sheet metal edges, lift the appliance out of its packing base and place it in the framing. **Make sure that the unit is at the right height with consideration to the height of the hearth or combustible flooring.**

Installation

Install Electrical Wiring (if necessary) (for optional fan or power adapter kit)

This section provides information to install the electric pre-wiring required for use with the 1095CFK Circulating Fan Kit or GV60PAK Power Adapter Kit.

All wiring must be done by a qualified electrician in accordance with local codes or, in the absence of local codes, with the National Electrical Code, ANSI/NFPA 70 or the Canadian Electrical Code, CSA C22.1.

Electrical Requirements

1095CFK—120 V, 60 Hz, less than 1 amp

General Requirements

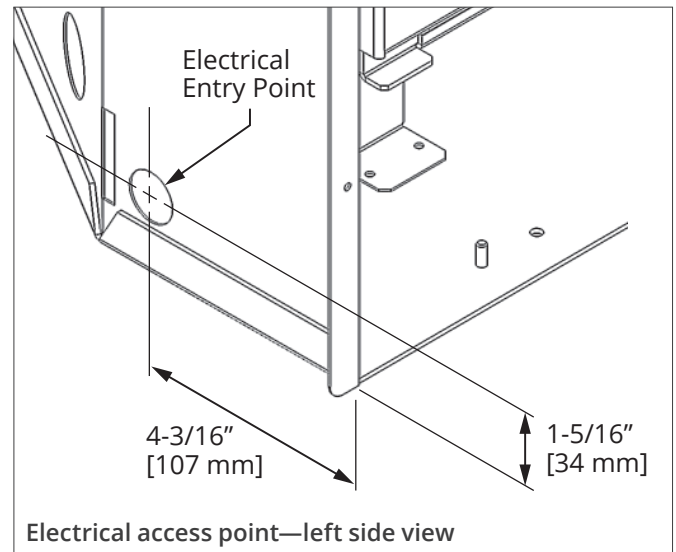
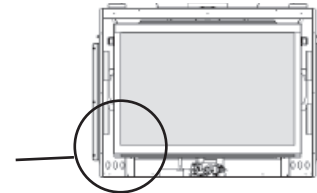
The optional 1095CFK kit includes a three-prong grounded plug to plug into a grounded receptacle, also included with the kit, to be installed within the fireplace enclosure by a qualified electrician.

Electrical Wiring

Installation

Thread the power supply cable through the cable clamp (not provided) and through the hole in the lower left hand side of the fireplace casing. Do not tighten the clamp yet.

Electrical wiring through the left hand side of the appliance case



There is a junction box and receptacle included as part of the 1095CFK fan kit. Refer to installation instructions packed with kit. A speed control is also packed with the kit.

If simply roughing in power at this point, ensure wiring is not live or terminate at this location in a temporary metal junction box using wire nuts to cap wires.

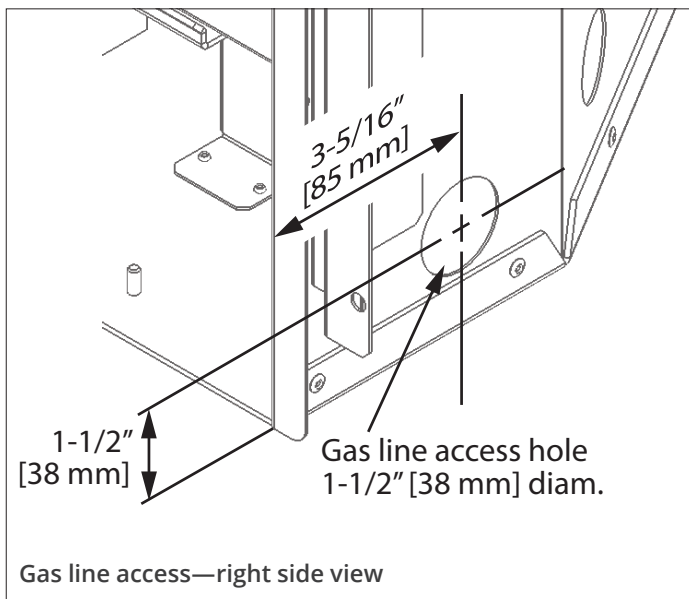
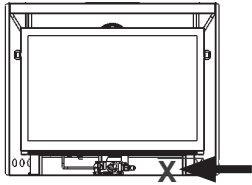


Installation

Gas Supply

Connect Gas Supply

The gas supply inlet connection is a 3/8" NPT male connector located on the right hand side of the firebox.



The unit is supplied with a stainless steel flex line to allow the appliance to be disconnected for service. An individual shut-off valve (not supplied) is required on the supply line ahead of the flex connector.

Use only new black iron or steel pipes, CSST, or copper tubing if acceptable—check local codes. Note that in USA, copper tubing must be internally tinned for protection against sulfur compounds.

Unions in gas lines should be of ground joint type.

The gas supply line must be sized and installed to provide a supply of gas sufficient to meet the maximum demand of the appliance without undue loss of pressure.

Sealant used must be resistant to the action of all gas constituents including LP gas. Sealant should be applied lightly to male threads to ensure excess sealant does not enter gas lines.

Pressure test the supply line for leaks.

The appliance and its individual shut-off valve must be disconnected from the gas supply piping system during any pressure testing of that system at test pressures in excess of 1/2 psig (3.5 kPa).

The appliance must be isolated from the gas supply piping system by closing its individual manual shut-off valve during any pressure testing of the gas supply piping system at test pressures equal to or less than 1/2 psig (3.5 kPa).

Failure to either disconnect or isolate the appliance during pressure testing may result in regulator or valve damages and void the warranty. Consult your dealer in case of damages.

Pressure Test Points

The minimum supply pressure is given in the section *Specifications* of this manual—page 5.

All piping and connections must be tested for leaks after installation or servicing. All leaks must be corrected immediately.

When testing for leaks:

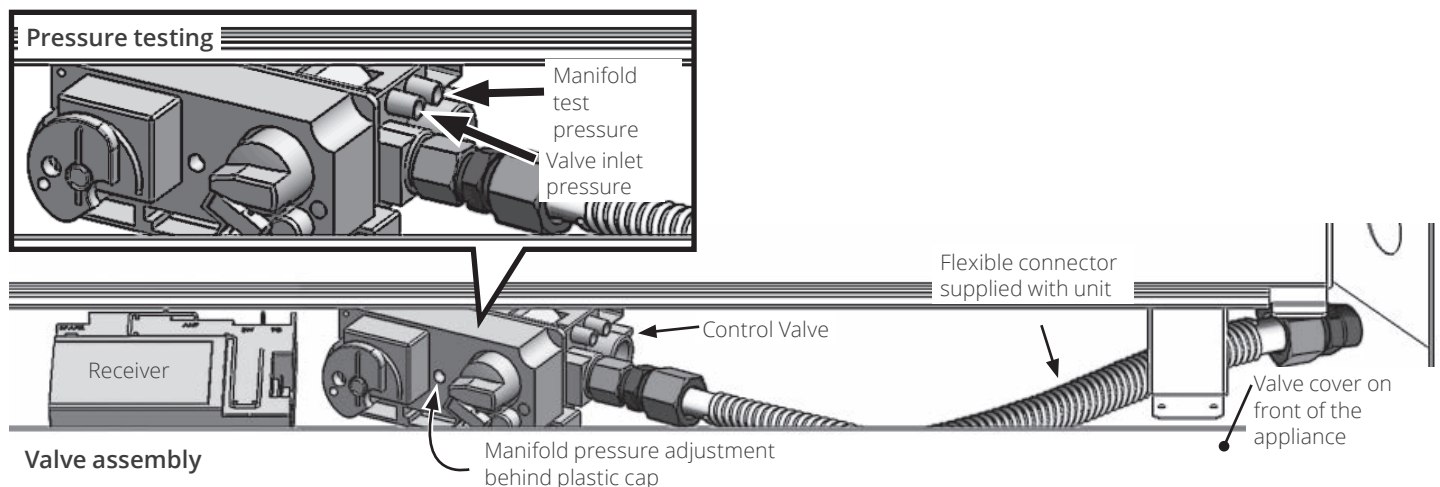
- Make sure that the appliance is turned off.
- Open the manual shut-off valve.
- Test for leaks by applying a liquid detergent or soap solution to all joints. Bubbles forming indicate a gas leak.

Caution

Never use an open flame to check for leaks!
Correct any leak detected immediately.

The pressure test tapping locations are shown in the figure below. An internal regulator within the valve controls the burner manifold pressure.

The correct pressure range is shown in the table in section *Specifications* of this manual on page 5. The pressure check should be made with the burner alight and at its highest setting. See *Lighting Instructions* in Appendix A at the end of this manual for full operating details.



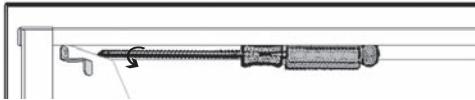
Installation

Liners

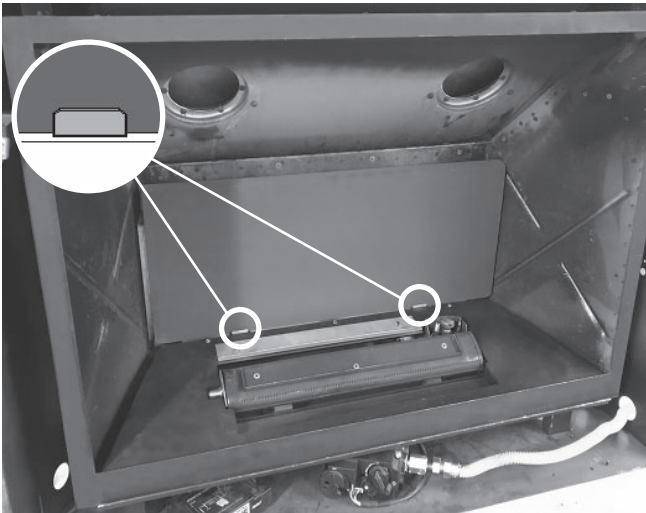
Install Liners

The following guidelines apply for all liners (with the exception of the 1070RGL Reflective Glass Liners—see the installation manual supplied with that liner kit for details).

1. Inside the firebox, on the top of each side, release the screw of the side panel anchors if necessary so they can rotate freely (one per side).



2. Place the rear panel against the back of the firebox behind the rail retainers at bottom, with the beveled edge facing up and toward you.



3. Insert the bottom of one of the side liner panel between the burner plate and the side wall and rotate it slightly to insert it totally inside the firebox. Push it gently against the side wall. Rotate the side panel anchor down to hold the panel in place.



If you have difficulty sliding the side panels in, you may remove the burner plate by removing the three screws at the rear of the firebox and lifting the burner plate out. This is not usually required, except for 1070RGL kits.



Never force any piece of the liner kit into place.

4. Insert the bottom of the other side liner panel between the burner and the side wall and rotate it slightly to insert it totally inside the firebox. Push it gently against the side wall. Rotate the side panel anchor down to hold the panel in place.



5. Insert the top panel, beveled edge towards the back of the firebox, on top of one side panel, slide it across to rest on both side panels and rear panel. Sliding the top panel toward the top of the fireplace and away from the rear panel will give you more room to maneuver the panel.



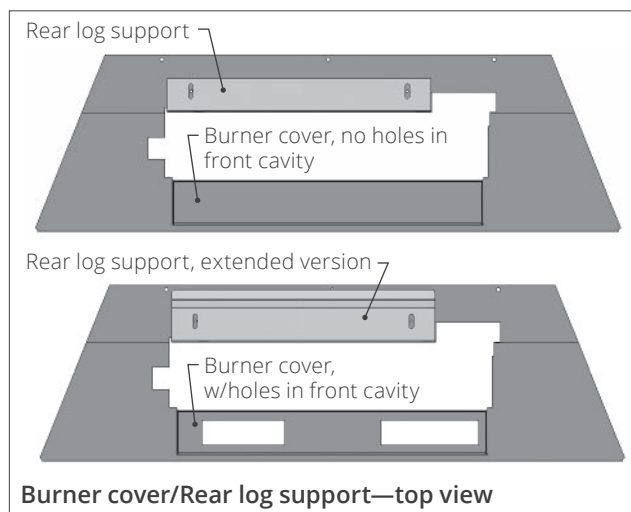
6. Gently tighten side panel anchor screws.

Installation

Fuel Beds

Burner cover/Rear log support

The Birch Log Kit 1000BLKV2, Dirftwook Kit 1000DWKV2 and Traditional Log Kit 1000LSKV2 can be installed on H3 fireplaces with either version of the burner cover/rear log support illustrated below:



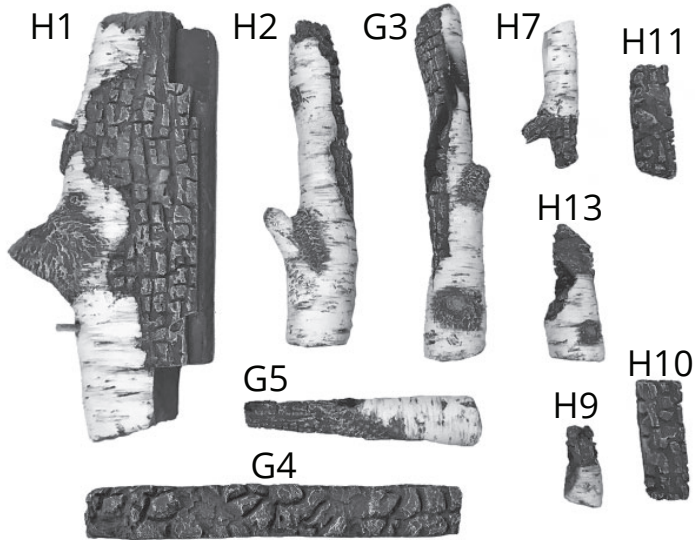
Installation

Fuel Beds

Birch Log Kit 1000BLKV2

Material required

- Birch Log Kit, which contains:
 - 10 logs
 - 2 cups of embers (bagged, not pictured)



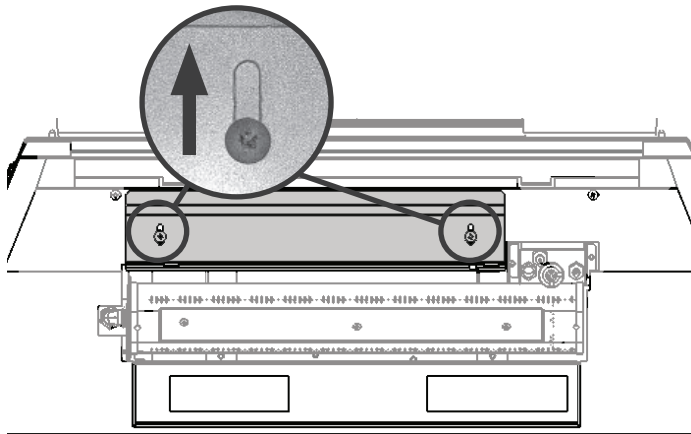
- Gloves, if desired

Installation

Carefully unpack the kit. Note each log has its own number stamped on the bottom. Some logs have pegs to help you place them on other logs.

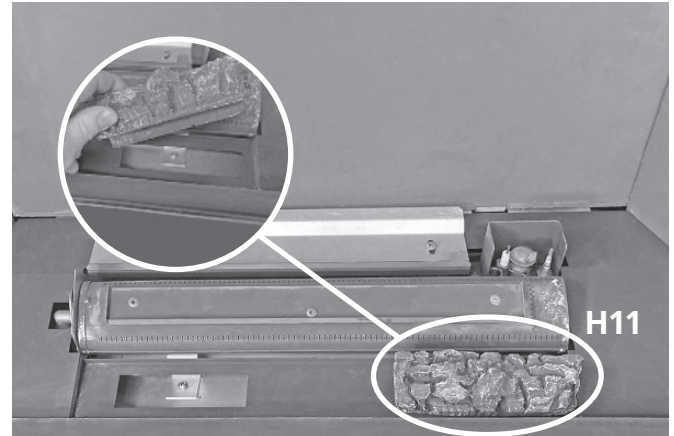
Install the logs as shown below.

1. Loosen (but do not remove) the two screws fastening the support bracket to the burner cover platform.
2. Slide the support bracket toward the rear of the fireplace, as far as it will travel.

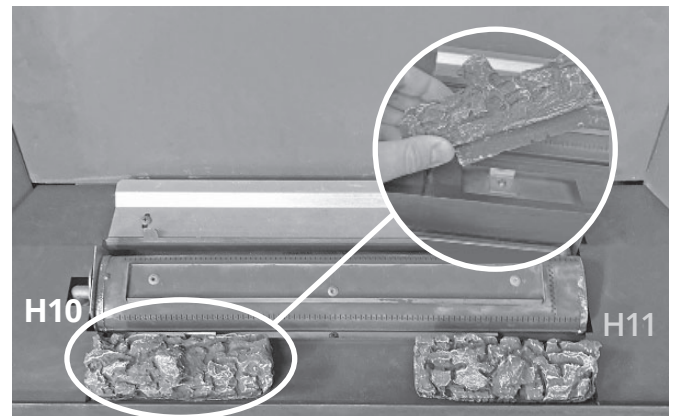


3. Tighten screws down again.

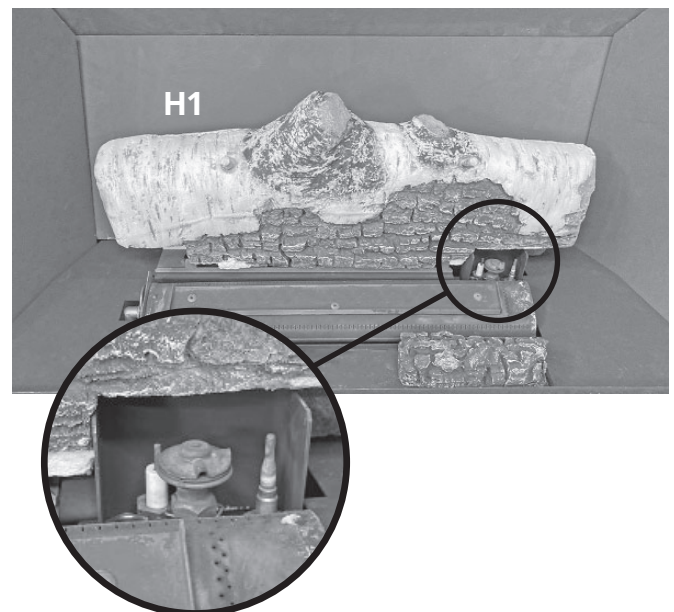
4. Place log H11 into the right hole in the front of the burner cover. Note the angled feature of H11 should be pointed to the right side.



5. Place log H10 into the left hole in the front of the burner cover.



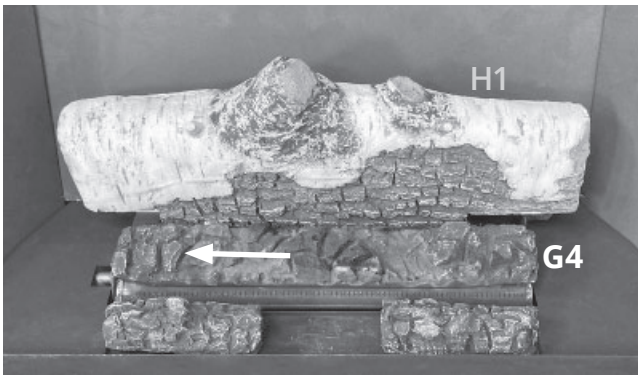
6. Place log H1 onto the rear support bracket, and slide it as far to the right as it will travel, gently resting the log against the pilot shield.



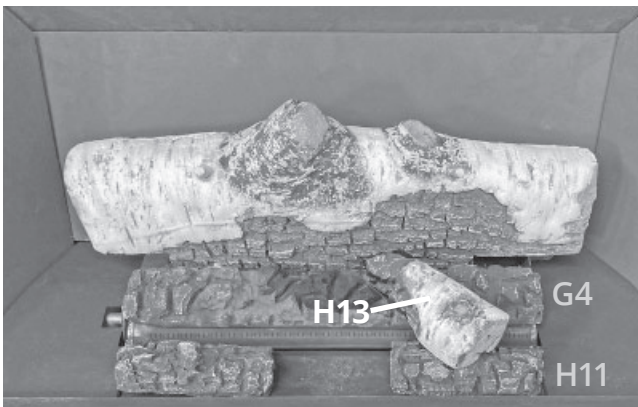
Installation

Fuel Beds

- Place log G4 directly on the burner, its underside groove fitting on the front raised flange of the burner. Slide the log all the way to the left.



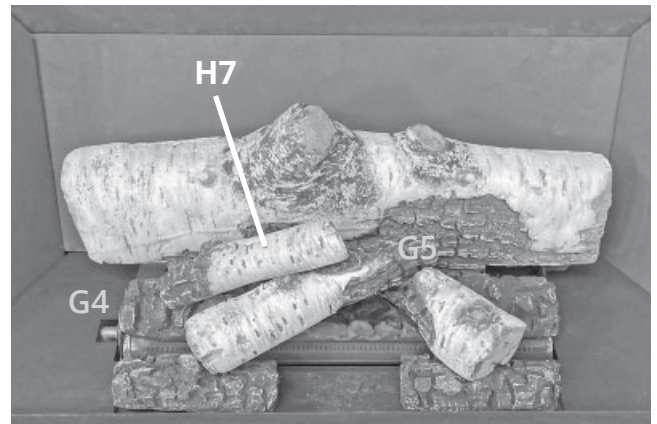
- Place log H13 at the right end of G4, on top of H11.



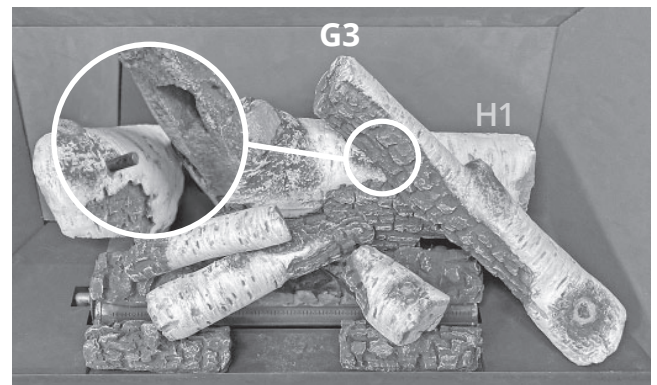
- Place log G5 from the groove in H10 to the groove in H13.



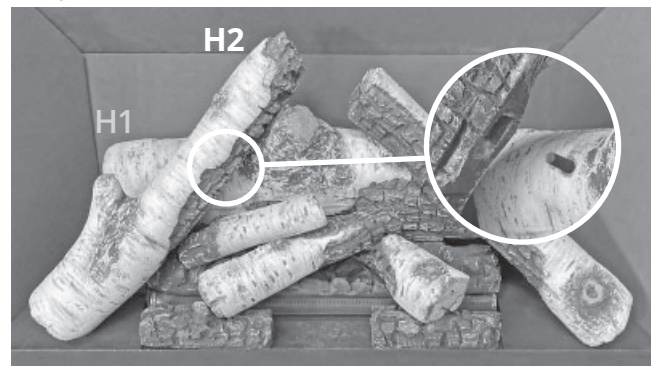
- Place log H7 from the left side of G4 to the top groove of G5.



- Place log G3 as shown. Note the hole in G3 fits onto the pin in H1.



- Place log H2 as shown. Note the hole in H2 fits onto the pin in H1.



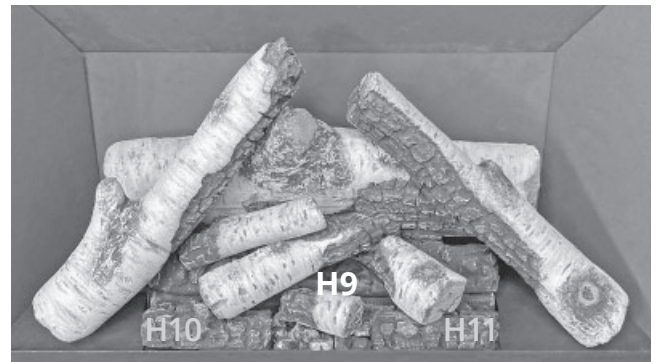
Installation

Fuel Beds

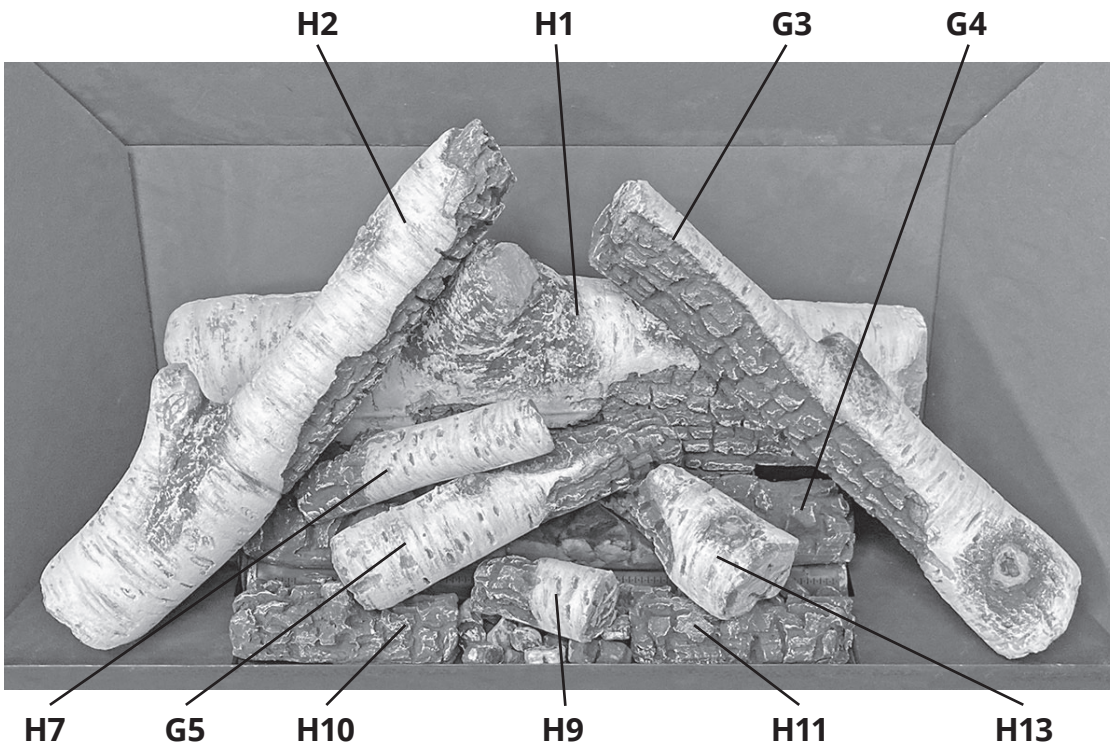
13. Place embers as shown, between and behind H10 and H11 as desired. You may not need to use all the embers.



14. Place log H9 on top of the embers between H10 and H11.



Completed 1000BLKV2 Assembly



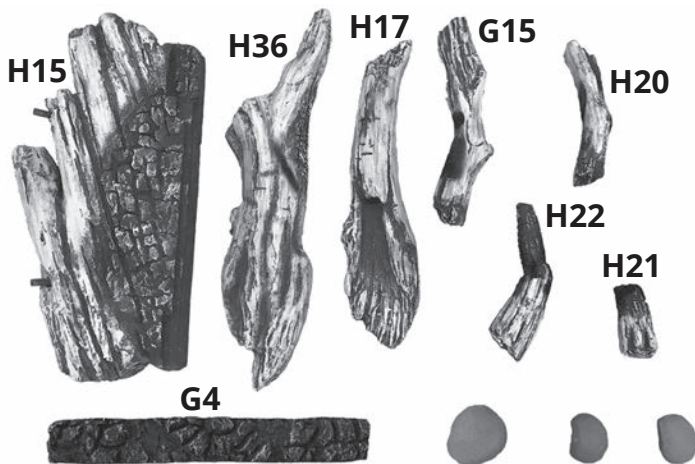
Installation

Fuel Beds

Driftwood Kit 1000DWKV2

Material required

- Driftwood Log Kit, which contains:
 - 8 logs
 - 3 pebbles
 - 1 cover plate (not pictured)
 - 2 cups of embers (bagged, not pictured)



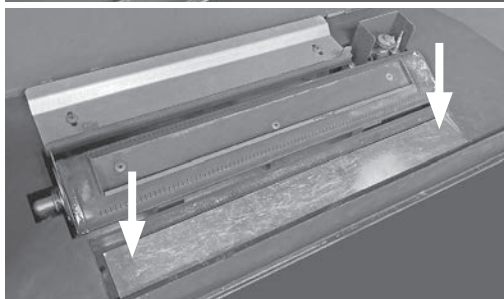
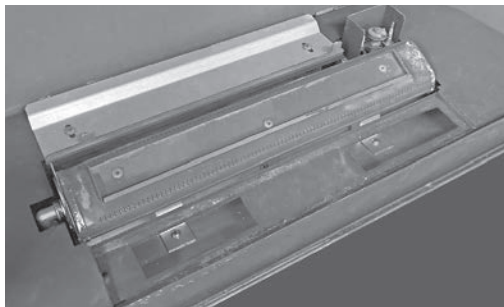
- Gloves, if desired

Installation

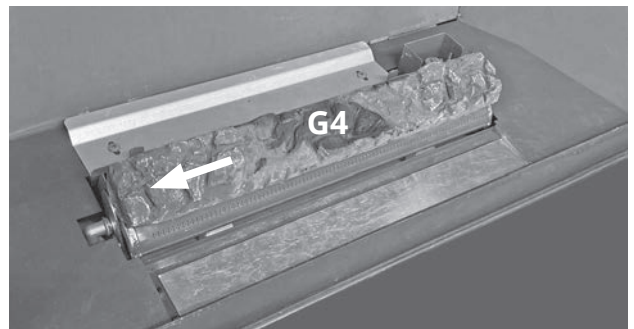
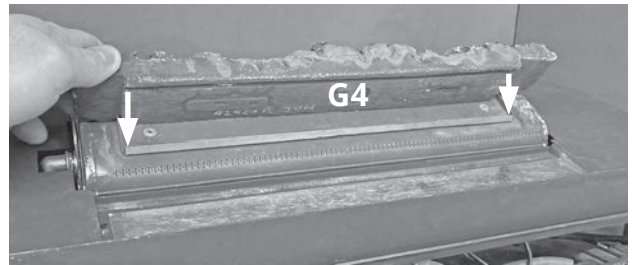
Carefully unpack the kit. Note each log and pebble has its own number stamped on the bottom. Some logs have pins and holes to help you place them on other logs.

Install the logs as shown below.

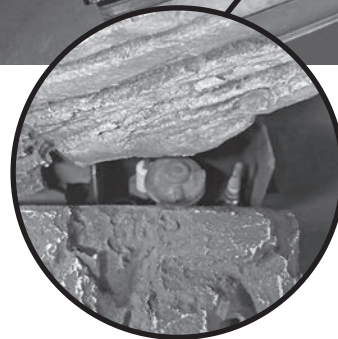
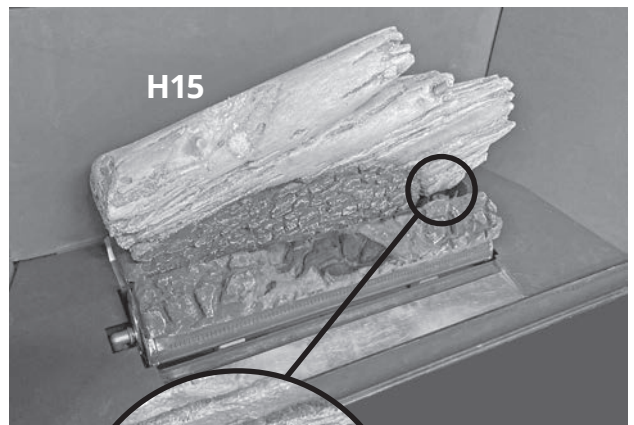
1. Place cover panel into the recess in front of the burner.



2. Place log G4 directly on the burner, its underside groove fitting on the front raised flange of the burner. Slide the log all the way to the left.



3. Place log H15 onto the rear support bracket, and slide it as far to the right as it will travel, gently resting the log against the pilot shield.



Installation

Fuel Beds

4. Place log H22 at the right end of G4, on top of the cover panel.



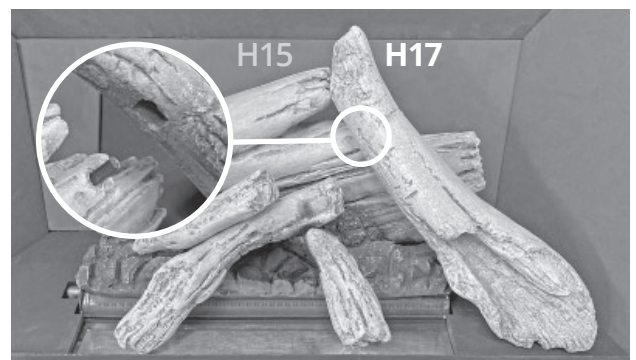
5. Place log G15 from the cover panel to the groove in H22.



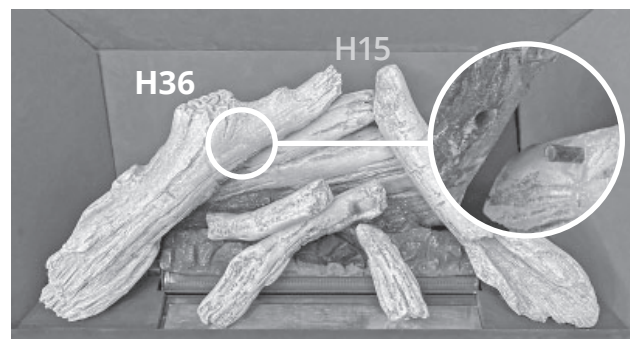
6. Place log H20 from the left side of G4 to the top groove of G15.



7. Place log H17 as shown. Note the hole in H17 fits onto the pin in H15.



8. Place log H36 as shown. Note the hole in H36 fits onto the pin in H15.



9. Place embers as shown on the cover plate. You may not need to use all the embers.



Installation

Fuel Beds

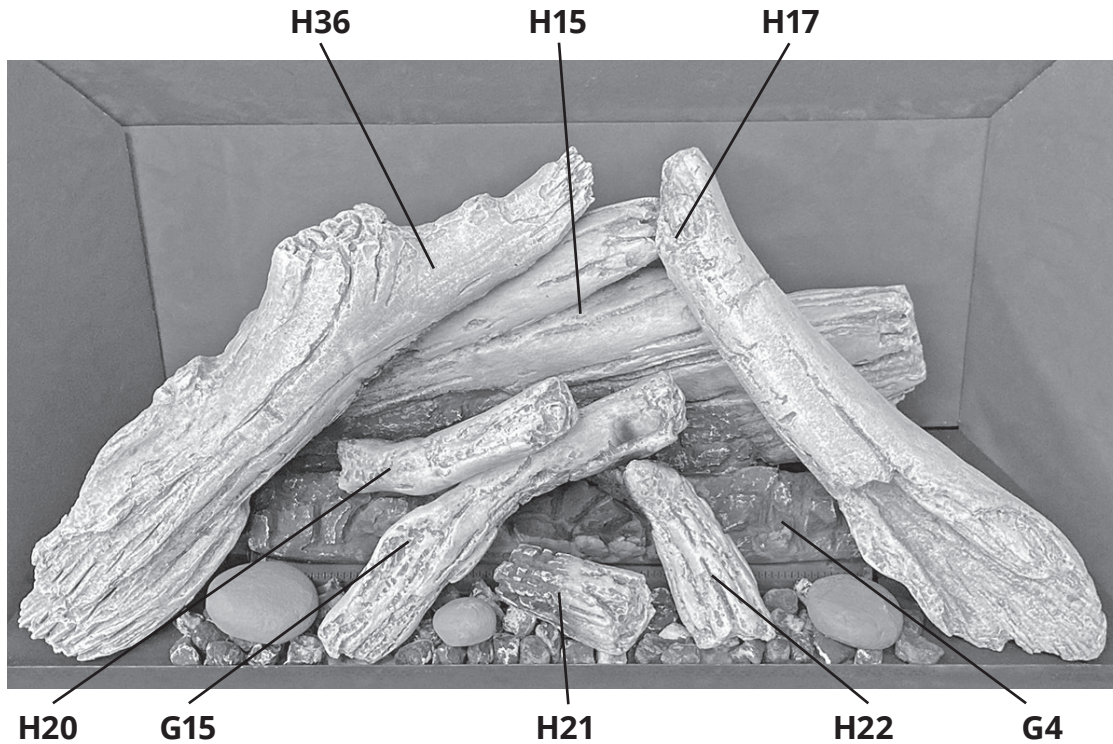
10. Place log H21 on top of the embers between G15 and H22.



11. Place pebbles as desired.



Completed 1000DWKV2 Assembly



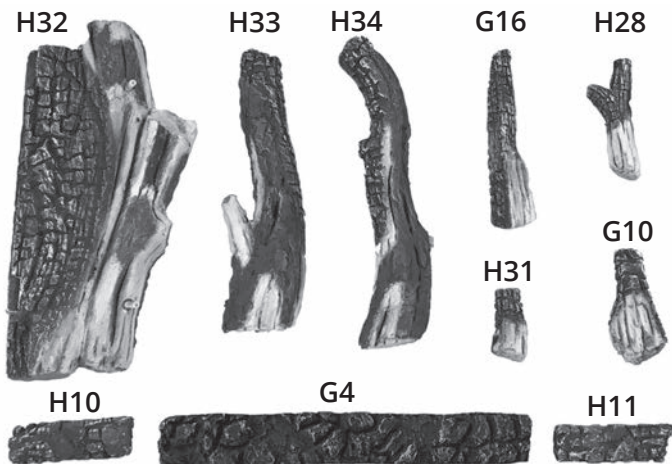
Installation

Fuel Beds

Traditional Log Kit 1000LSKV2

Material required

- Traditional Log Kit, which contains:
 - 10 logs
 - 2 cups of embers (bagged, not pictured)



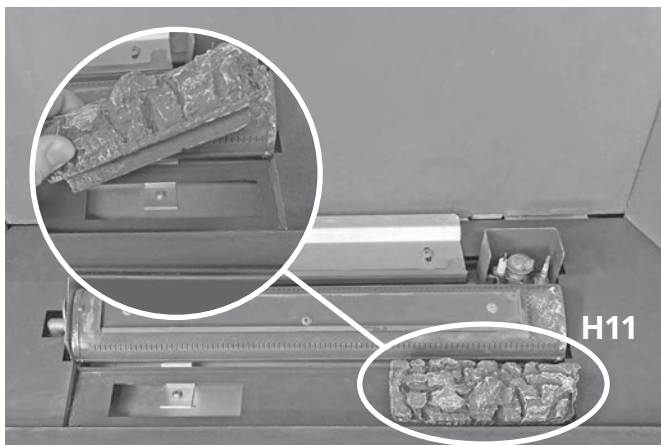
- Gloves, if desired

Installation

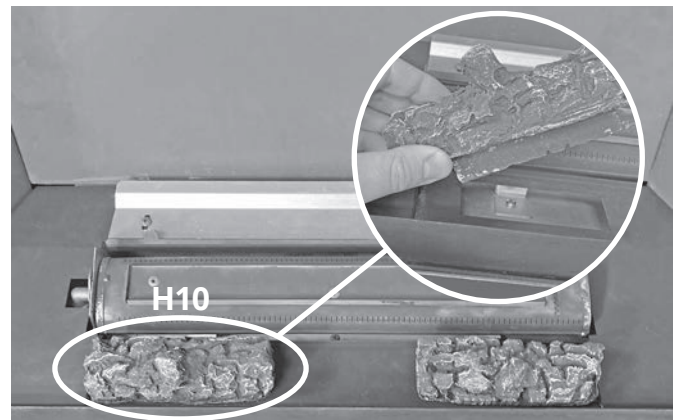
Carefully unpack the kit. Note each log has its own number stamped on the bottom. Some logs have pegs to help you place them on the burner platform, or other logs.

Install the logs as shown below.

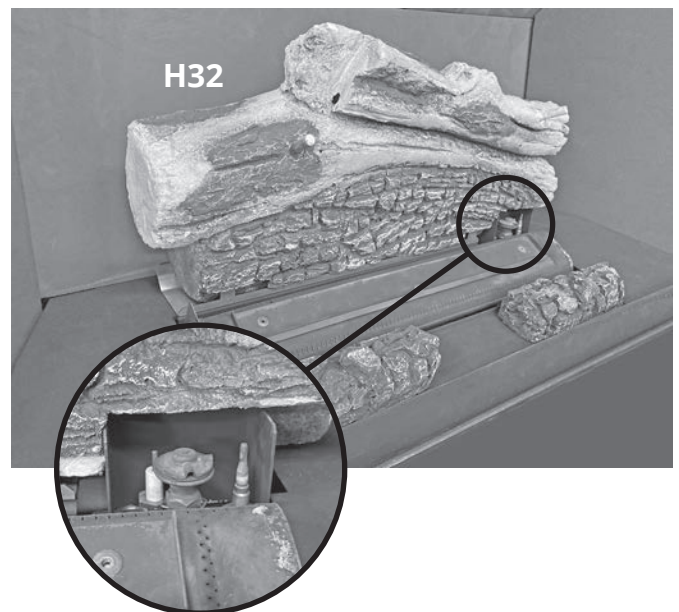
1. Place log H11 into the right hole in the front of the burner cover. Note the angled feature of H11 should be pointed to the right side.



2. Place log H10 into the left hole in the front of the burner cover.



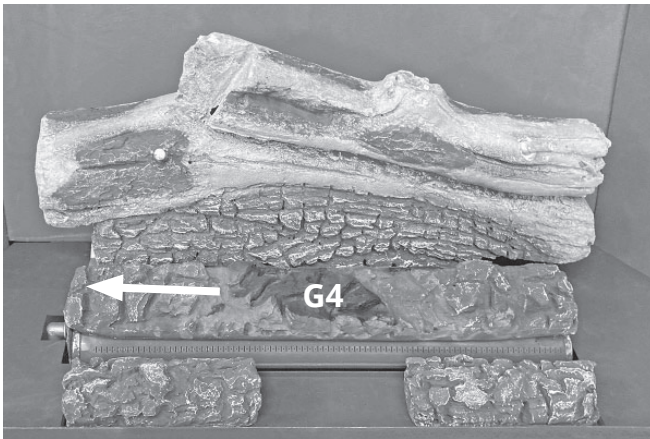
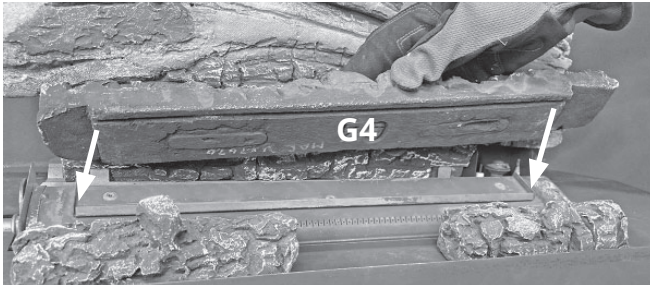
3. Place log H32 onto the rear support bracket, and slide it as far to the right as it will travel, gently resting the log against the pilot shield.



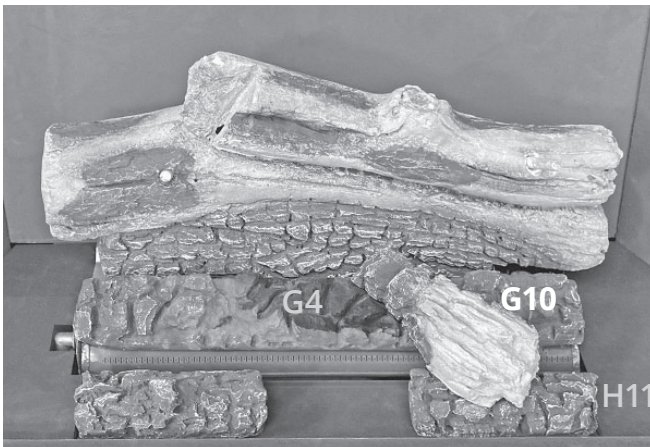
Installation

Fuel Beds

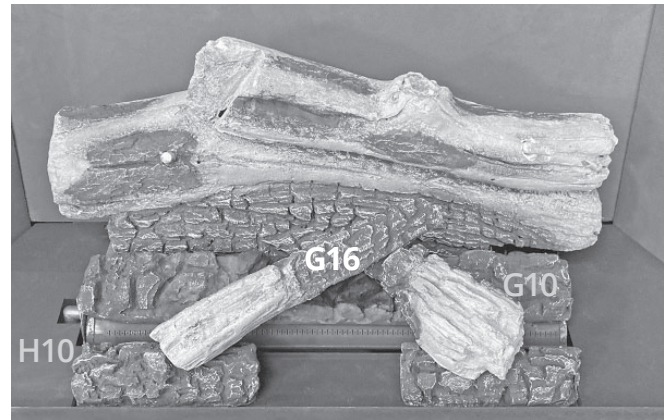
- Place log G4 directly on the burner, its underside groove fitting on the front raised flange of the burner. Slide the log all the way to the left.



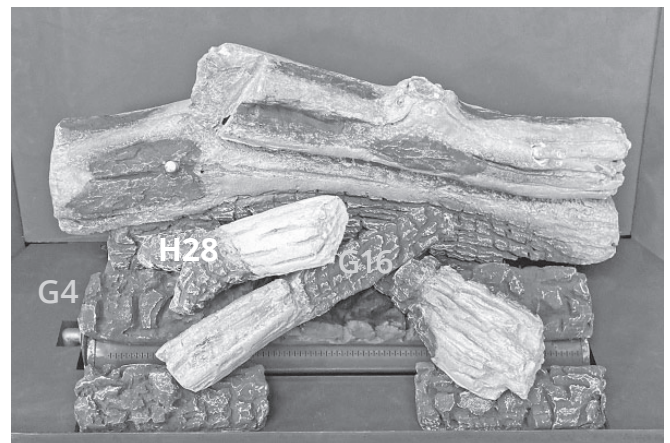
- Place log G10 at the right end of G4, on top of H11.



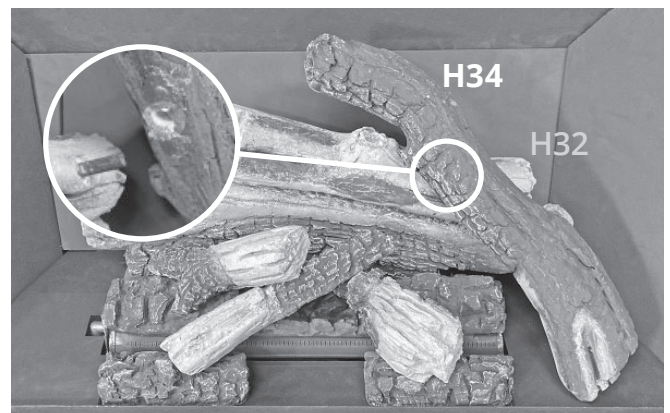
- Place log G16 from the groove in H10 to the groove in G10.



- Place log H28 from the left side of G4 to the top of G16.



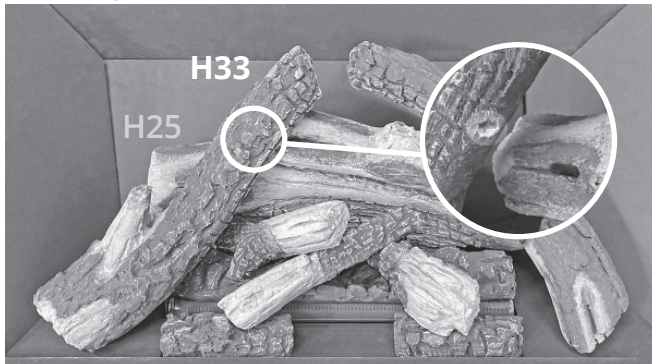
- Place log H34 as shown. Note the hole in H35 fits onto the pin in H32.



Installation

Fuel Beds

9. Place log H33 as shown. Note the hole in H33 fits onto the pin in H32.



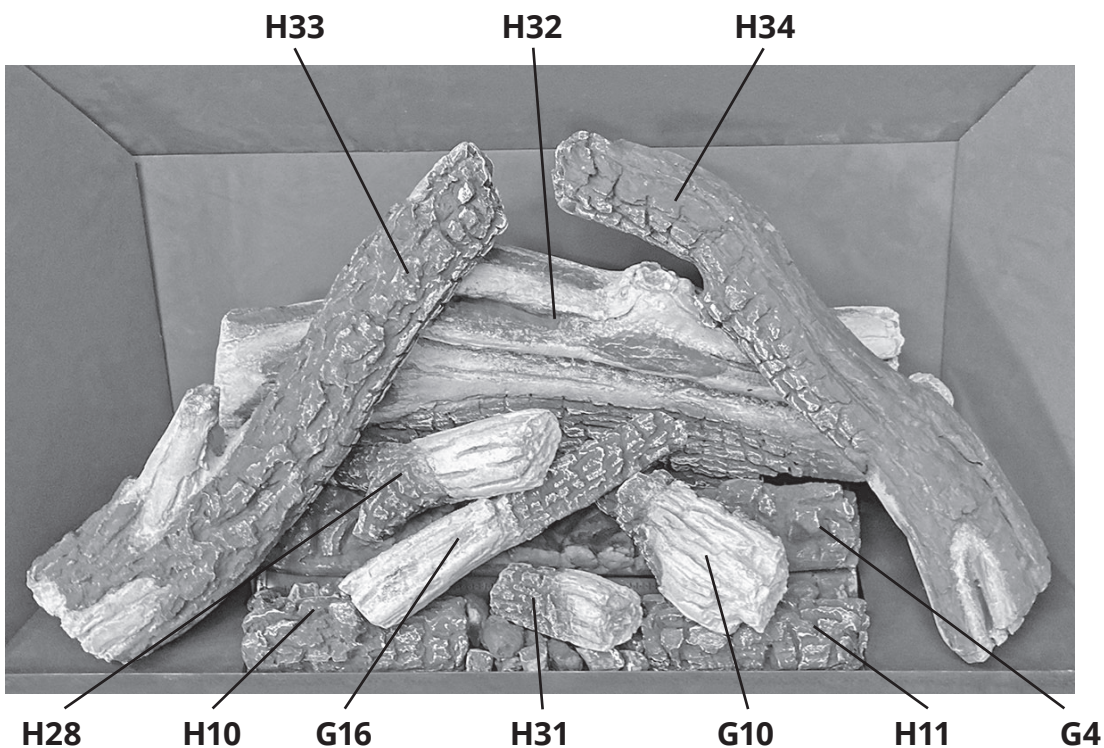
11. Place log H31 on top of the embers between H10 and H11.



10. Place embers as shown, between and behind H10 and H11 as desired. You may not need to use all the embers.



Completed 1000LSKV2 Assembly

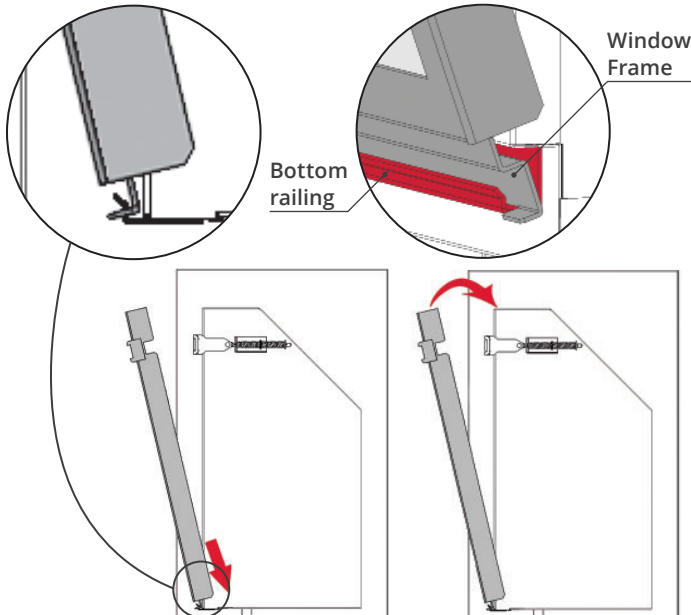


Installation

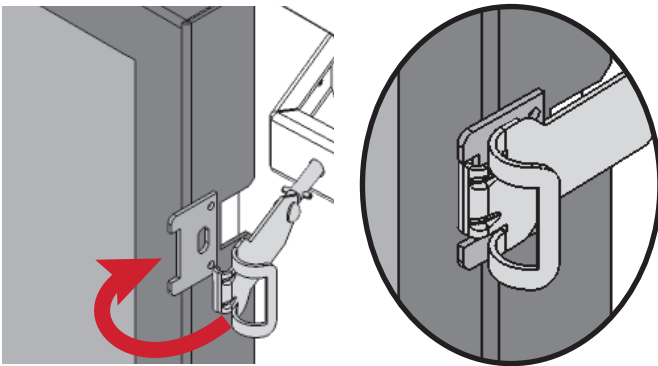
Window Re-Installation

Refit & Check Window

1. Place window in its bottom railing. Make sure to remove any fuel bed particles in the railing before installing the window.
2. Push top of window frame against firebox.



3. While you hold it, pull and hook side levers to window brackets on each side.



4. Apply firm hand pressure around window frame to make sure window is sealed tight against firebox.
5. If the Hot Glass Warning plate has been removed from the front lower corner of the window, re-install it by sliding it between the glass and the frame as indicated.

! WARNING

The window unit must be correctly installed, fastened and sealed after servicing or serious bodily injury and/or damage to the appliance may result.

To ensure a safe operation:

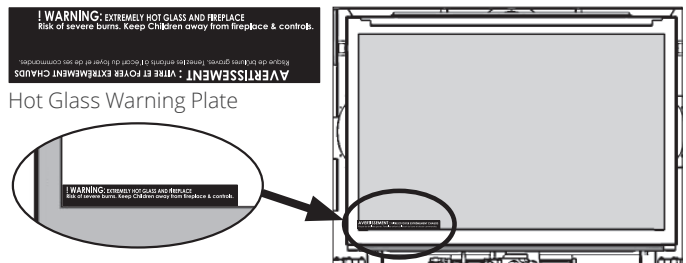
- Double-check that the bottom of the window frame is correctly installed in the bottom support railing;
- Verify that the levers are hooked properly to the window tabs then;
- Pull out the top of the window and release it to ensure the springs return it;
- Ensure the window is sealed before operation.

! WARNING

Failure to install the window correctly can:

- leak carbon monoxide.
- affect the performance of the fireplace.
- damage components.
- cause overheating resulting in dangerous conditions.

Damage caused by incorrect window installation is not covered by the Valor Warranty.



Installation

Wall Switch Kit

Install Wall Switch Kit (required)

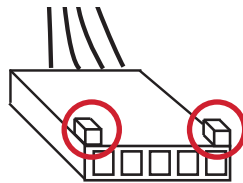
The wall switch kit is provided with this appliance. It is connected to the receiver in the fireplace. The receiver is located left of the control valve under the firebox.

Decide where the switch is to be installed. Install an electrical outlet box or mud ring as required (not supplied).

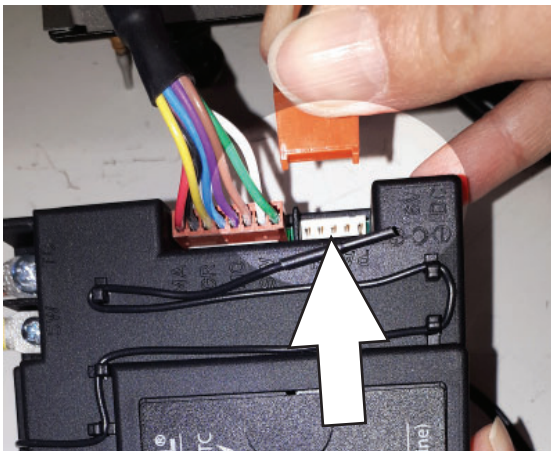
1. Thread the switch wire through an access hole in the appliance. **DO NOT** run the wire over top of the appliance.
2. Pull out the receiver. You can remove the ignition wire to improve access.

3. Take the switch wire and plug it into the receiver's connection slot as indicated (the other slot should already be fitted with the valve's wire harness connector). See diagrams below. **IMPORTANT: The connection can only be done one way. Do not force it or damage the pins!**

IMPORTANT: The connection can only be done one way.

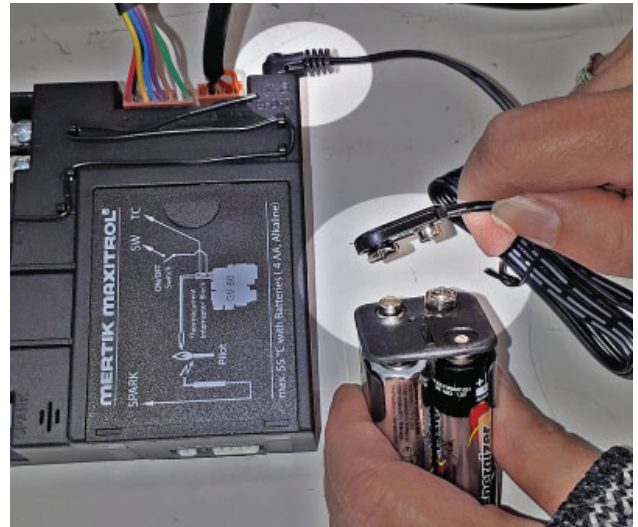


Do not force it or damage the pins on the receiver box!



4. On the outside of the fireplace, run the switch wire into the outlet box. Use insulated type staples to secure the wiring to framing.
5. Plug the wire into the switch plate and to the outlet box.
6. Reconnect the ignition wire to the receiver if it was previously removed. **IMPORTANT: Make sure the ignition wire DOES NOT TOUCH the receiver's antenna.**

7. Insert 4 AA alkaline batteries in the battery holder.
8. Connect the battery holder wire to the receiver.
9. Connect the wire to the battery holder.



10. Test the operation of the wall switch—see Appendix C.
11. Fix the wall cover plate to the outlet box.
12. Replace the receiver in its position and as well as the antenna if deployed. **IMPORTANT: The antenna MUST NOT TOUCH the ignition wire.**
13. Place the battery holder near the receiver. Keep the wires tidy to prevent them from touching the underside of the burner.

Caution

DO NOT PUT BATTERIES IN THE BATTERY HOLDER until the wires are connected to the burner control unit as short-circuit could result in the destruction of the electrical components.

DO NOT USE a screwdriver or other metallic object to remove the batteries from the battery holder or the handset! This could cause a short circuit to the receiver.

Do not run the switch wire over the top of the firebox. Route the wire so it does not contact the firebox.

To avoid short-circuit to the receiver, position the antenna so that it DOES NOT TOUCH the ignition wire.

Installation

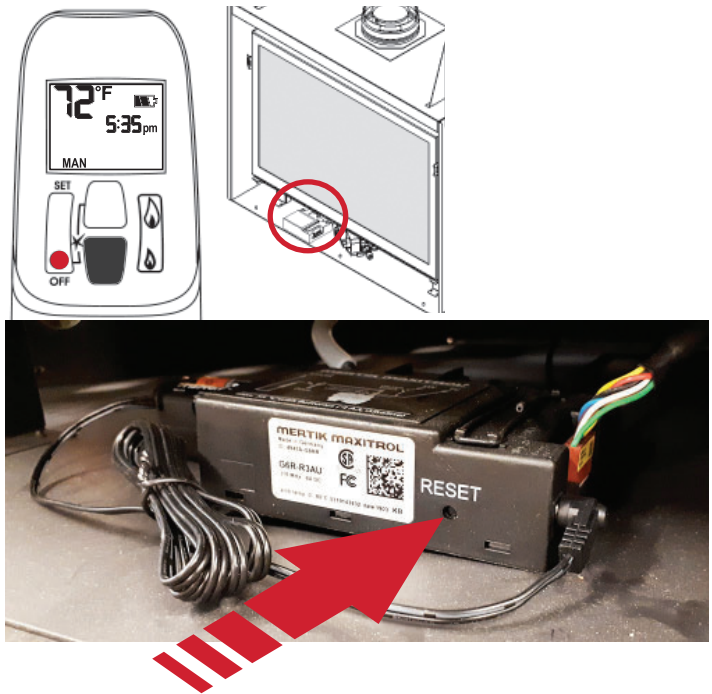
Remote Control Pairing

Synchronize Remote Control

The receiver and the handset of the remote control system must be initially synchronized before first use.

1. Insert one 9 V alkaline battery in the handset.
2. Locate the Reset button on the top side of the receiver.
3. With a narrow object, press and hold the receiver's reset button until you hear one short and one long beeps. Release the reset button after the second beep.
4. Within the subsequent 20 seconds, press the (small flame button (🔥)) on the remote handset until you hear two short beeps confirming the synchronization is set.

This is a one time setting only and is not required when changing the batteries in the remote battery holder. The remote control system is now ready to use.



Installation

Burner Aeration

Check Operation

Turn the fireplace flame up and down using the remote control to confirm that the full range of inputs is achieved—see the remote control operation instructions in Appendix B of this manual.

Adjust Aeration (if needed)

Light the fire and allow the unit to warm up for 10–15 minutes to evaluate the flame picture. The burner is equipped with an adjustable shutter to control primary aeration. The shutter is factory-set to an aeration gap which will give optimum performance for the vast majority of installations.

Depending of the fuel bed used, altitude and other considerations, the flame picture may be improved by adjusting the aeration. The need for adjustment should be determined only by operating the appliance with the fuel bed, panels and window installed and evaluating the flame picture after a 15-minute warm-up.

Increasing aeration will cause the flames to appear more transparent and blue showing more ceramic effects glow.

Decreasing aeration will cause the flames to appear more yellow or orange showing less ceramic effects glow.

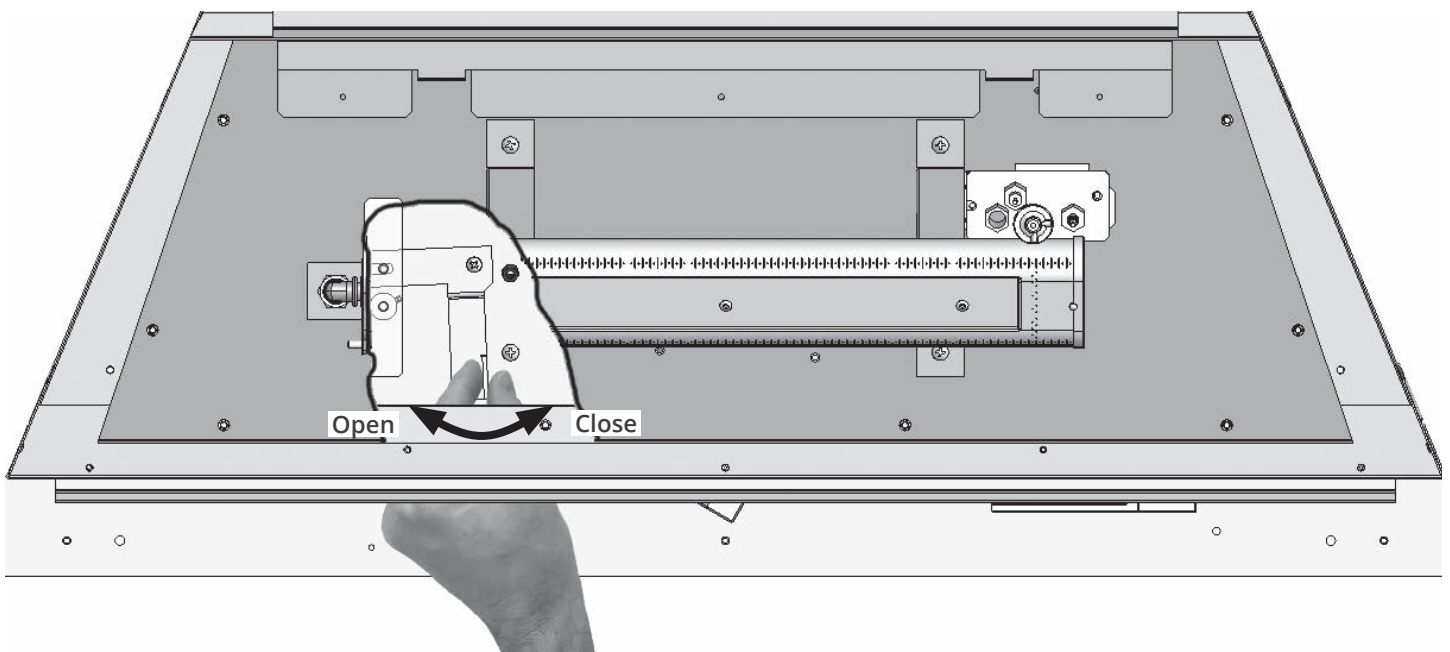
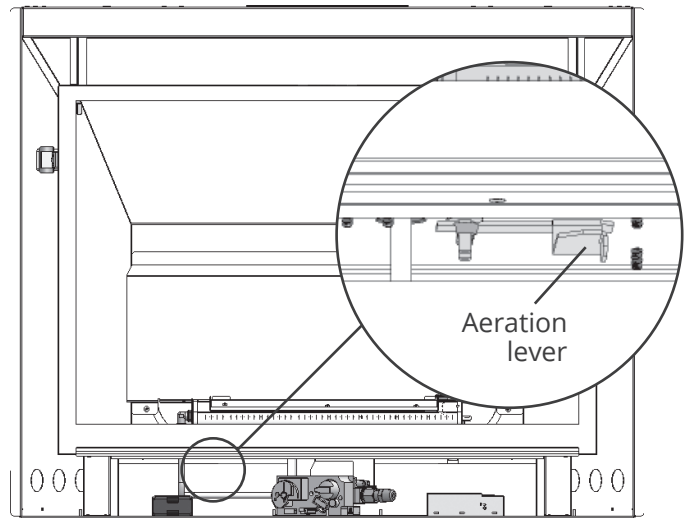
Too little aeration may result in black carbon forming on logs or roof panel and dropping into the firebox.

Air Shutter

The air shutter adjustment lever is located under the firebox. If the trim or front is already installed, remove the barrier screen and the removable panel at the bottom of the fireplace.

To adjust the air shutter:

1. Locate the aeration lever under the firebox.
2. Move the lever left or right to the desired position.



Remote Control Handset Wall Holder

The remote control kit for this fireplace comes complete with a wall-mounted holder. This holder is not required in all installations but is provided as an optional feature for those customers who wish to mount the remote handset to the wall.

To install the holder to the wall, find a convenient location and use the hardware provided with the kit. See the diagram below for required hardware and configurations. Note that the holder can be installed at the base of a light switch plate.

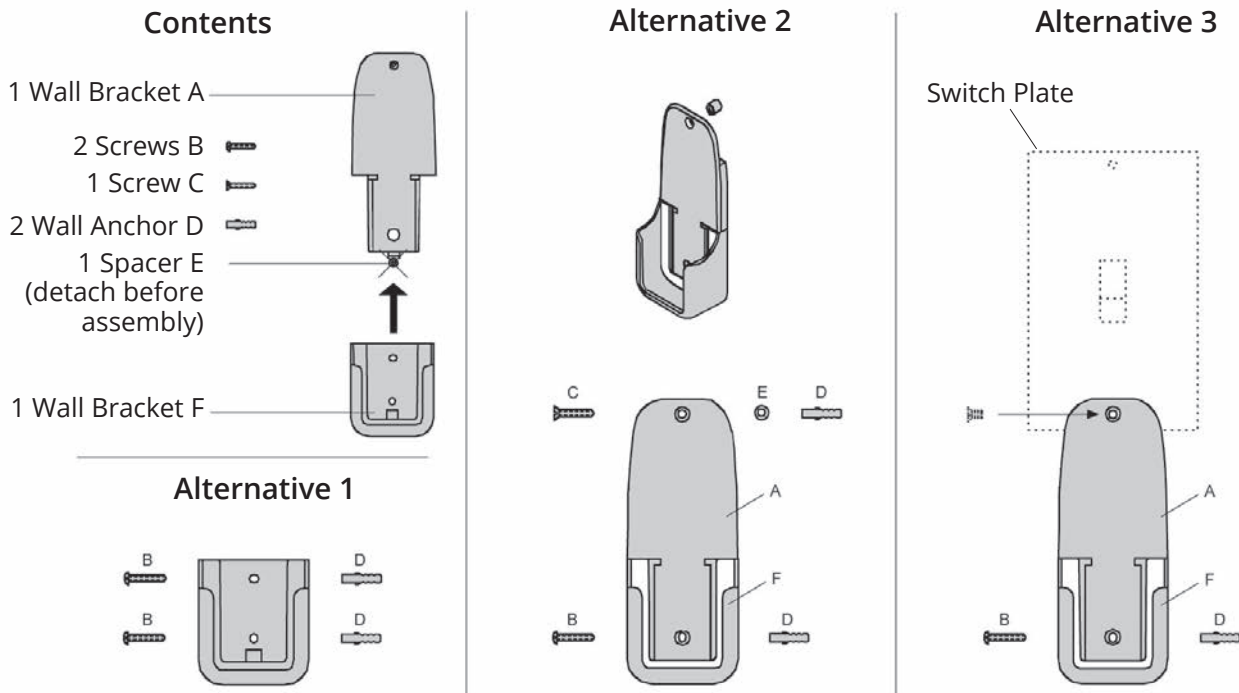
IMPORTANT. The location of the remote control handset is important to assure proper temperature regulation. To obtain a constant temperature, we recommend that the handset should be between 3 and 15 feet away from the appliance but not directly above it. We also advise that the handset should be located away from any other heat source and not in direct sunlight as this may affect the temperature sensor located in the remote handset.

Trim and Barrier Screen

Install the trim chosen by the customer for their fireplace. Install as well the barrier screen which is provided with the trim.

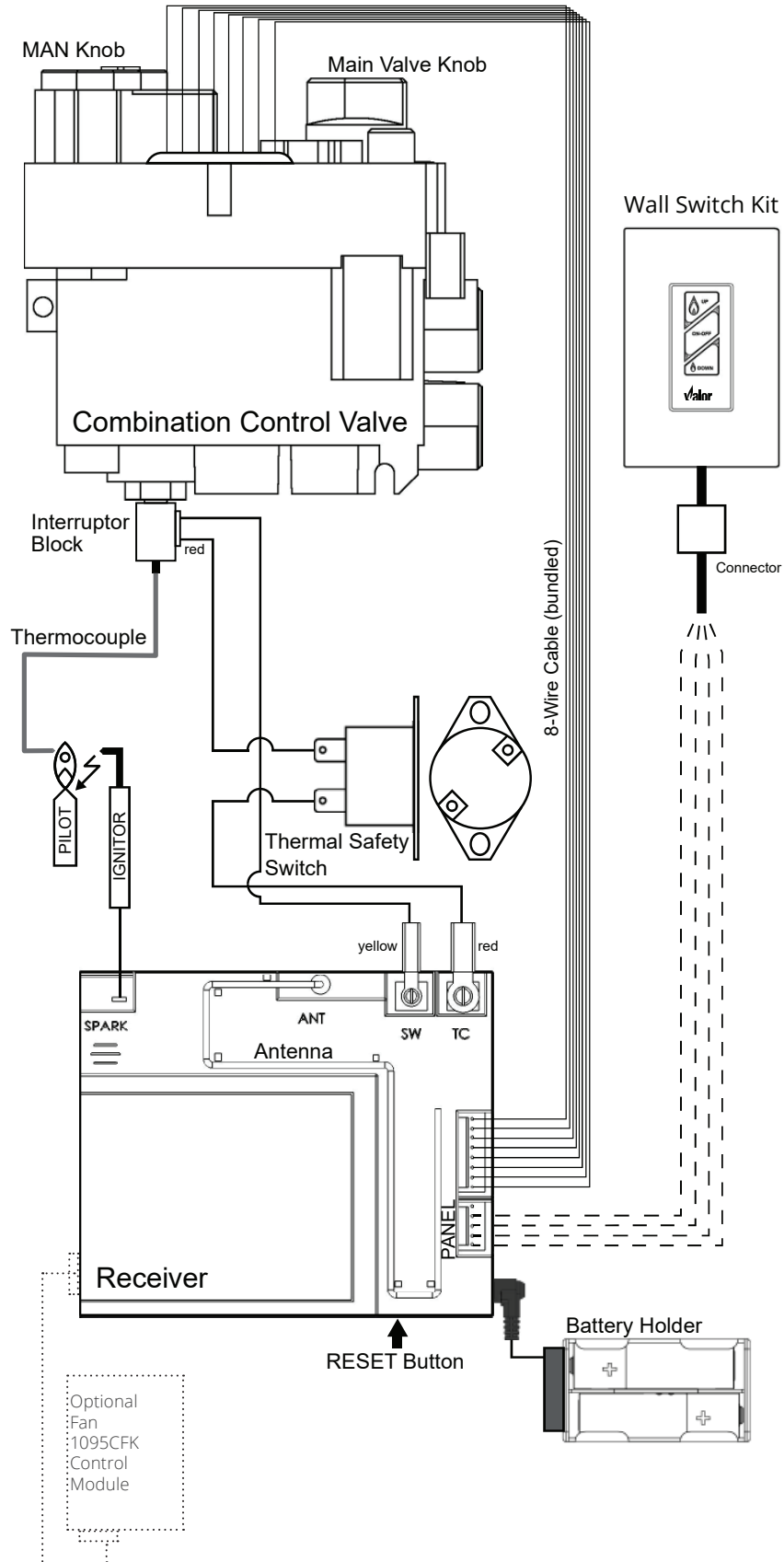
Show the customer how to remove the barrier screen to access the controls.

Follow the instructions provided with the trim and leave those instructions behind for the customer's further reference.





Wiring Diagram

GV60 Wiring Diagram



Approved Venting Components

Approved Direct Vent Suppliers for Valor Model 1000										
  Venting Parts Description		Venting Parts Code / availability by Manufacturer								
		DURA-VENT	SELKIRK	ICC EXCEL DIRECT	SECURE VENT	RLH INDUSTRIES	AMERIVENT	MILES INDUSTRIES	BDM	
Termination Caps	Horizontal	Standard Co-axial	46DVA-HC	4DT-HC	TM-4HT	—	—	4DHC round	658DVK2	940160
		Deluxe Co-axial	—	—	TM-4RHT	—	—	4DHCS square	—	940160
		High Wind Co-axial	—	—	—	SV4CHC	—	—	—	—
		Co-linear	—	—	—	—	—	—	720SWK	—
	Vertical	Standard Co-axial	46DVA-VC	4DT-VT	—	—	HSDV4658-1313 ₄	4DVC 4DH-1313	—	940264 940364 940206LP
		High Wind Co-axial	46DVA-VCH	—	TM-4SVT	SV4CGV	—	—	—	—
		Extended Co-axial	46DVA-VCE	—	—	—	—	—	—	—
		Co-linear	46DVA-CL33	—	TM-1VT	3PDVCV	HS-C33U-99 ⁴	HCL-99-33	559CLT	940033B
			46DVA-CL33H							940034B
			46DVA-CL34					HCL-913-33		940033HWS
			46DVA-CL33P					HCL-1313-33		940033RD
		46DVA-CL34P	—							
Snorkel, 14" Rise	46DVA-SNK14	4DT-ST14	TM-4ST14	—	—	4D14S	—	94040614		
Snorkel, 36" Rise	46DVA-SNK36	4DT-ST36	TM-4ST36	—	—	4D36S	—	94040636		
Vent Adapters	Co-axial-to-Co-linear Adapter	46DVA-GCL 46DVA-CLAA	4DT-AAC	TM-4CAA	—	—	4DCAB33	1000CLA	940106433	
	Co-linear-to-co-axial Adapter	46DVA-GK 46DVA-CLTA	4DT-CTB	TM-4CTA	—	—	4DCAT33	—	—	
	Co-axial-to-flex-co-axial Adapter	—	—	—	—	—	—	1000CAA	—	
	DV to B-Vent Adapter	—	—	—	—	—	—	DVA5BV	—	
Adjustable Pipe Length and Pipe Extensions	Galvanized or Black	46DVA-08A 46DVA-08AB (3" to 7")	4DT-ADJ 4DT-ADJ(B)	—	—	—	4D7A or 4D7AB (3" to 5")	—	94610608 (4" to 8-1/2")	
	Galvanized or Black	46DVA-16A 46DVA-16AB (3" to 14-1/2")	4DT-TL14 4DT-TL14B (14 to 22")	TC-4DLS1 TC-4DLS1B	SV4LA SV4LBA	—	4D12A or 4D12AB (3" to 10")	—	94610616 (4" to 16")	
	Galvanized or Black	46DVA-17TA 46DVA-17TAB (11" to 17")	4DT-TL38 4DT-TL38B (38 to 70")	TC-4DLS2 TC-4DLS2B (1-7/8" - 21")	SV4LA12 SV4LBA12	—	4D16A or 4D16AB (3" to 14")	—	—	
	Galvanized or Black	46DVA-24TA 46DVA-24TAB (17" to 24")	4DT-AJ12 4DT-AJ12B (4 to 10")	TC-4DLA30 TC-DLA30B (16.5" - 29")	SV4LA24 SV4LBA24	—	4D26A or 4D26AB (3" to 24")	—	—	
	Co-axial Flex	46DVA-36FF 46DVA-60FF 46DVA-120FF	—	—	—	—	—	590FVK2 3x5	—	
	DV 45° Elbows	Galvanized	46DVA-E45	—	TE-4DE45	—	—	4D45L	—	94620645
Black		46DVA-E45B	—	TE-4DE45B	SV4EBR45	—	4D45LB	—	94620645B	
Galvanized Swivel		—	4DT-EL45	—	SV4E45	—	—	—	—	
Black Swivel		—	4DT-EL45(B)	—	SV4EB45	—	—	—	—	
DV 90° Elbows	Galvanized	46DVA-E90	—	TE-4DE90	—	—	4D90L	—	—	
	Black	46DAV-E90B	—	TE-4DE90B	SV4EBR90	—	4D90LB	—	—	
	Galvanized Swivel	—	4DT-EL90	—	SV4E90	—	—	—	94620690	
	Black Swivel	—	4DT-EL90(B)	—	SV4EB90	—	—	—	94620690B	

Approved Venting Components

Venting Parts Description			Venting Parts Code / availability by Manufacturer							
			DURA-VENT	SELKIRK	ICC EXCEL DIRECT	SECURE VENT	RLH INDUSTRIES	AMERIVENT	MILES INDUSTRIES	BDM
Pipes 4" x 6-5/8" (ID x OD)	6" long	Galvanized	46DVA-06	4DT-06	TC-4DL6	SV4L6	—	—	—	94610606
		Black	46DVA-06B	4DT-06(B)	TC-4DL6B	SV4LB6	—	—	—	90410606B
	7" long	Galvanized	—	—	—	—	—	4D7	—	—
		Black	—	—	—	—	—	4D7B	—	—
	9" long	Galvanized	46DVA-09	4DT-09	TC-4DL9	—	—	—	—	94610609
		Black	46DVA-09B	4DT-09(B)	TC-4DL9B	—	—	—	—	94610609B
	12" long	Galvanized	46DVA-12	4DT-12	TC-4DL1	SV4L12	—	4D12	—	94610612
		Black	46DVA-12B	4DT-12(B)	TC-4DL1B	SV4LB12	—	4D12B	—	94610612B
	18" long	Galvanized	46DVA-18	4DT-18	—	—	—	—	—	94610618
		Black	46DVA-18B	4DT-18(B)	—	—	—	—	—	94610618B
	24" long	Galvanized	46DVA-24	4DT-24	TC-4DL2	SV4L24	—	4D2	—	94610624
		Black	46DVA-24B	4DT-24(B)	TC-4DL2B	SV4LB24	—	4D2B	—	94610624B
	36" long	Galvanized	46DVA-36	4DT-36	TC-4DL3	SV4L36	—	4D3	—	94610636
		Black	46DVA-36B	4DT-36(B)	TC-4DL3B	SV4LB36	—	4D3B	—	94610636B
	48" long	Galvanized	46DVA-48	4DT-48	TC-4DL4	SV4L48	—	4D4	—	94610648
		Black	46DVA-48B	4DT-48(B)	TC-4DL4B	SV4LB48	—	4D4B	—	94610648B
	Flashings	Roof Flashing 0/12-6/12	46DVA-F6	4DT-AF6	TF-4FA	SV4FA	—	4DF (0/12-5/12)	—	949606012
		Roof Flashing 7/12-12/12	46DVA-F12	4DT-AF12	TF-4FB	SV4B	—	4DF12 (6/12-12/12)	—	949606712
Flat Roof Flashing		46DVA-FF	—	TF-4F	SV4F	—	—	—	949606001	
Masonry Flashing		—	—	TF-4MF	—	—	—	559FSK	—	
New Siding Flashing		—	—	—	—	—	—	658NSFK	—	
Various Venting System Parts	Wall Thimble	46DVA-WT	4DT-WT	TM-4WT	SV4RSM	—	4DWT	—	949064U	
	Storm Collar	46DVA-SC	4DT-SC	TM-SC	SV4AC	—	4DSC	—	94960608	
	Decorative Plate	46DVA-DC	4DT-CS	TM-4TR TM-4TP	SV4PF	—	4DFPB	—	94940612	
	Cathedral Ceiling Support	46DVA-CS	4DT-CCS	TM-4SS	—	—	4DRSB	—	949506KT	
	Ceiling Firestop / Floor Support	46DVA-FS	4DT-FS	TM-4RDS	SV4BF	—	4DFSP	—	94980612	
				TM-CS	SV4SD					
	Attic Radiation Shield / Firestop	—	4DT-A1S	TM-4AS	—	—	4DAIS12 (12")	—	94930620A	
							4DAIS36 (36")			
	Wall Strap	46DVA-WS	4DTWS	TM-WS	—	—	4DWS	—	949164	
	Vinyl Siding Standoff	46DVA-VSS	4DT-VS	TM-VSS	SV4VS	—	4DHVS	—	94800615S	
Elbow Strap / Offset Support	46DVA-ES	4DT-OS	TM-OS	—	—	—	—	949264		
Terminal Guard	46DVA-WG	—	TM-HTS	—	—	—	845TG	940164SHRD		
			TM-RHTS				658TG			

- Notes:**
1. Follow instructions supplied with each manufacturer's components.
 2. Unless otherwise specified, all the parts and assemblies from the above table are to be used with 4" x 6-5/8" pipes.
 3. Do not mix components from different vent manufacturers.
 4. Termination caps manufactured by RLH Industries or American Metal Products are from Homestyle Chimney Collection and can be ordered in one of the following finishes: a) aluminium; b) black powder coated; c) solid copper.

Commonwealth of Massachusetts

State of Massachusetts Carbon Monoxide Detector/Vent Terminal Signage Requirements

For all side wall horizontally vented gas fueled equipment installed in every dwelling, building or structure used in whole or in part for residential purposes, including those owned or operated by the Commonwealth and where the side wall exhaust vent termination is less than seven (7) feet above finished grade in the area of the venting, including but not limited to decks and porches, the following requirements shall be satisfied:

1. INSTALLATION OF CARBON MONOXIDE DETECTORS.

At the time of installation of the side wall horizontal vented gas fueled equipment, the installing plumber or gas fitter shall observe that a hard wired carbon monoxide detector with an alarm and battery back-up is installed on the floor level where the gas equipment is to be installed. In addition, the installing plumber or gas fitter shall observe that a battery operated or hard wired carbon monoxide detector with an alarm is installed on each additional level of the dwelling, building or structure served by the side wall horizontal vented gas fueled equipment. It shall be the responsibility of the property owner to secure the services of qualified licensed professionals for the installation of hard wired carbon monoxide detectors.

a. In the event that the side wall horizontally vented gas fueled equipment is installed in a crawl space or an attic, the hard wired carbon monoxide detector with alarm and battery back-up may be installed on the next adjacent floor level.

b. In the event that the requirements of this subdivision can not be met at the time of completion of installation, the owner shall have a period of thirty (30) days to comply with the above requirements; provided, however, that during said thirty (30) day period, a battery operated carbon monoxide detector with an alarm shall be installed.

2. APPROVED CARBON MONOXIDE DETECTORS. Each carbon monoxide detector as required in accordance with the above provisions shall comply with NFPA 720 and be ANSI/UL 2034 listed and IAS certified.

3. SIGNAGE. A metal or plastic identification plate shall be permanently mounted to the exterior of the building at a minimum height of eight (8) feet above grade directly in line with the exhaust vent terminal for the horizontally vented gas fueled heating appliance or equipment. The sign shall read, in print size no less than one-half (1/2) inch in size, "GAS VENT DIRECTLY BELOW. KEEP CLEAR OF ALL OBSTRUCTIONS".

4. INSPECTION. The state or local gas inspector of the side wall horizontally vented gas fueled equipment shall not approve the installation unless, upon inspection, the inspector observes carbon monoxide detectors and signage installed in accordance with the provisions of 248 CMR 5.08(2)(a)1 through 4.

(b) EXEMPTIONS: The following equipment is exempt from 248 CMR 5.08(2)(a)1 through 4:

1. The equipment listed in Chapter 10 entitled "Equipment Not Required To Be Vented" in the most current edition of NFPA 54 as adopted by the Board; and

2. Product Approved side wall horizontally vented gas fueled equipment installed in a room or structure separate from the dwelling, building or structure used in whole or in part for residential purposes.

Commonwealth of Massachusetts

(c) MANUFACTURER REQUIREMENTS - GAS EQUIPMENT VENTING SYSTEM PROVIDED. When the manufacturer of Product Approved side wall horizontally vented gas equipment provides a venting system design or venting system components with the equipment, the instructions provided by the manufacturer for installation of the equipment and the venting system shall include:

1. Detailed instructions for the installation of the venting system design or the venting system components; and
2. A complete parts list for the venting system design or venting system.

(d) MANUFACTURER REQUIREMENTS - GAS EQUIPMENT VENTING SYSTEM NOT PROVIDED. When the manufacturer of a Product Approved side wall horizontally vented gas fueled equipment does not provide the parts for venting the flue gases, but identifies “special venting systems”, the following requirements shall be satisfied by the manufacturer:

1. The referenced “special venting system” instructions shall be included with the appliance or equipment installation instructions; and
2. The “special venting systems” shall be Product Approved by the Board, and the instructions for that system shall include a parts list and detailed installation instructions.

(e) A copy of all installation instructions for all Product Approved side wall horizontally vented gas fueled equipment, all venting instructions, all parts lists for venting instructions, and/or all venting design instructions shall remain with the appliance or equipment at the completion of the installation.

Appendix A - Lighting Instructions Plate

FOR YOUR SAFETY, READ BEFORE LIGHTING

WARNING: If you do not follow these instructions exactly, a fire or explosion may result causing property damage, personal injury or loss of life.

- A. This appliance has a pilot which must be lighted by hand, remote control, or wall switch. Follow these instructions exactly. To save gas, turn the pilot off when not using the appliance for a prolonged period of time.
- B. **BEFORE LIGHTING**, smell all around the appliance area for gas. Be sure to smell next to the floor because some gases are heavier than air and will settle on the floor.

WHAT TO DO IF YOU SMELL GAS

- Do not try to light any appliance.
 - Do not touch any electric switch; do not use any phone in your building.
 - Immediately call your gas supplier from a neighbor's phone. Follow the gas supplier's instructions.
 - If you cannot reach your gas supplier, call the fire department.
- C. Use only your hand to push in or turn the control knobs. Never use tools. If the knobs will not push in or turn by hand, don't try to repair them; call a qualified service technician. Force or attempted repair may result in a fire or explosion.
- D. Do not use this appliance if any part has been under water. Immediately call a qualified service technician to inspect the appliance and to replace any part of the control system and any gas control, which has been under water.

LIGHTING INSTRUCTIONS

1. **STOP!** Read the safety information above.
2. **TO CLEAR ANY GAS, turn main valve off by pressing OFF (red dot) button on remote handset (1).**

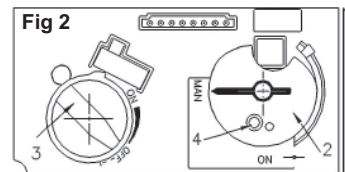
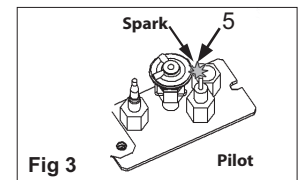
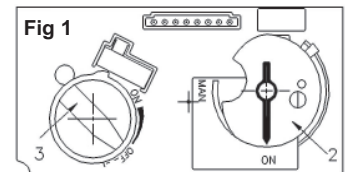
- Wait five (5) minutes to clear out any gas, then smell for gas, including near the floor. **If you smell gas, STOP!** Follow "B" in the safety information above on this label. If you don't smell gas, go to the next step.

3. **AUTOMATIC IGNITION:** MAN-knob (2) in ON position. Ensure Flame Adjustment knob (3) is set to lowest setting (U) (Fig. 1). Locate the pilot (Fig. 3.) inside of firebox at left hand side.

- On the remote control handset, press the OFF button (red dot) and large flame button (🔥) simultaneously; a short acoustic signal confirms the start has begun.
- Further short acoustic signals indicate the ignition process is in progress.
- When the pilot is lit, the Flame Adjustment knob (3) will automatically rotate to the highest setting.
- Press the small flame button (🔥) on the remote control handset to reduce the flame height.

4. **MANUAL IGNITION:** MAN-knob (2) in MAN position (Fig. 2). With the window off, locate the pilot (Fig. 3) inside of firebox at left hand side.

- Set Flame Adjustment knob (3) to the lowest setting (U).
- Push down the metallic core (4) with a pen or similar instrument; this will establish the pilot gas flow.
- Light gas at the pilot (5) with a match.
- Continue holding down metal core (4) for about 10 seconds; after release, pilot should remain lit.
 - If the pilot will not stay lit after several tries, turn the gas control knob (3) to OFF (U) and call your local service technician or gas supplier.
- Reinstall the window and set the MAN-knob (2) to ON; turn Flame Adjustment knob (3) up (↗) or down (↘) manually or use the flame buttons (🔥)(🔥) on the remote control handset to adjust the flame height.



TO TURN OFF GAS TO APPLIANCE

AUTOMATIC SHUT-OFF (using the remote control handset):

- Press and hold the small flame button (🔥) on the remote control handset to shut-off the main burner gas flow.
- Press OFF button (red dot) on remote handset to shut-off the appliance, including pilot flame.

Appendix B - Remote Control Operation

Radio Frequency

315 MHz for USA and Canada.

This device complies with Part 15 of the FCC Rules and with Industry Canada license-exempt RSS standard(s). Operation is subject to the following two conditions:
 (1) this device may not cause harmful interference, and
 (2) this device must accept any interference received, including interference that may cause undesired operation.

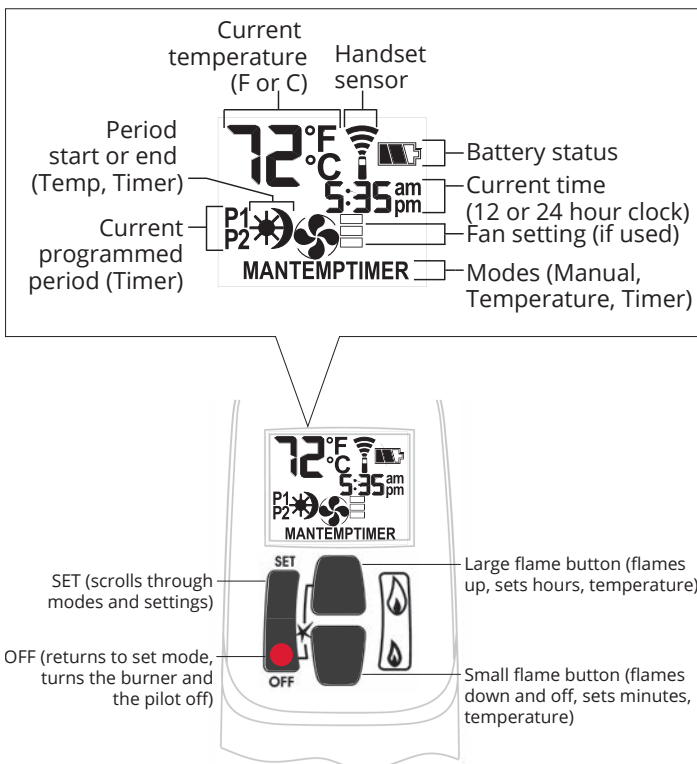
NOTE: Before using the remote control system for the first time, the receiver and the handset must be synchronized. See the section *Synchronize Remote Control*.

IMPORTANT: BEFORE YOU BEGIN, please note that on this system, the settings of time, temperature and automatic ON/OFF **can only be programmed when the function display is flashing.** Be patient when programming as it can take a few seconds to set.

Note: In the TEMP or TIMER modes, the remote handset senses the room temperature and adjusts the flame accordingly.

To communicate, the handset should be within 15 feet (4.5 meters) of the fireplace.

Do not leave the handset on the mantel or hearth.

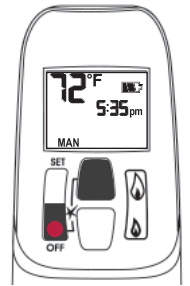


Turn Fireplace ON

Press ● + 🔥 buttons until you hear a short beep; release buttons.

Beeps continue until pilot is lit.

Burner lits to maximum flame height and handset goes automatically to manual (MAN) mode.



NOTES:

On the valve, MAN button must be at ON, in full counter-clockwise position ↶.

ON/OFF switch (if equipped) must be in I (ON) position.

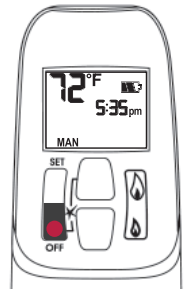
Turn Fireplace OFF

Press ● button.

When pilot is just turned off, wait 2 minutes to light it again.

Standby Mode (Pilot Flame)

Press and hold 🔥 to set fireplace to pilot.



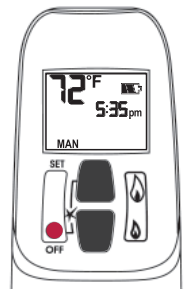
Adjust Flames Height

With pilot lit, press and hold buttons:

🔥 = increase flame height

🔥 = decrease flame height or set to pilot

For fine adjustment, tap buttons.



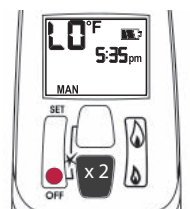
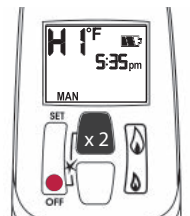
Express Low and High Fire

Double-click buttons:

🔥 = increase flame to maximum height "HI"

🔥 = decrease flame minimum height "LO"

NOTE: Flame goes to high fire first before going to designated low fire.

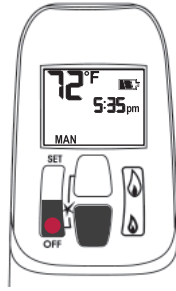


Appendix B - Remote Control Operation

Setting °C/24-hr or °F/12-hr clock

In MAN mode, press ● + 🔥 buttons until temperature / clock display changes from

°F / 12-hour ↔ °C / 24-hour



Setting Time

The time display will flash after either:

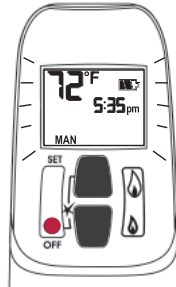
- installing the battery, or
- pressing 🔥 + 🔥

To set the time, press buttons:

🔥 = hour

🔥 = minutes

Press ● or wait to go back to MAN.



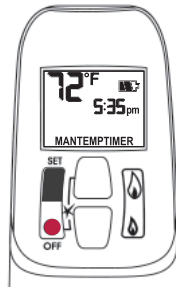
Modes of Operation

Briefly press SET cycles through modes of operation.

MAN > TEMP > Light > Fan >

TEMP > TIMER > MAN

NOTE: Press 🔥 or 🔥 to reach MAN mode.



Set the different parameters when they are flashing.

MAN Manual Mode

Manual flame height adjustment.



TEMP Daytime Temperature Mode

When pilot is lit, room temperature is measured and compared to set temperature. Flame height automatically adjust to reach Daytime Set Temperature.



Light/Dimmer Mode

Not available on this fireplace.



Fan Mode

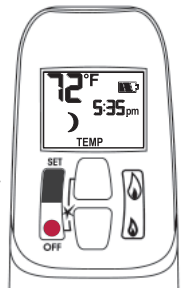
Turns fan ON and OFF and adjusts speed.



Note: To turn fan OFF, press 🔥 until all 4 bars disappear.

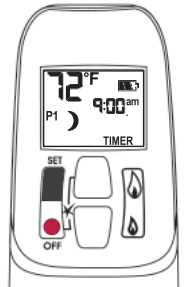
TEMP Night time Setback Temperature Mode

When pilot is lit, room temperature is measured and compared to set temperature. Flame height automatically adjust to reach Night Time Setback Temperature.



TIMER Timer Mode

When pilot is lit, two periods of time (P1 and P2) can be programmed to use Daytime and Night time temperatures at specific times.



Note: Display shows set temperature every 30 seconds.

Appendix B - Remote Control Operation

Circulating Fan Operation (if equipped)

Circulating fan has 4 speed levels from low to high (1 to 4 bars).

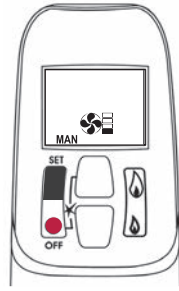
Press SET to scroll to . Fan and level icons flash.

To set speed, press flame buttons:

= increases speed.

= decreases speed and turns OFF fan when all bars disappear.

Note: 8 seconds after the fan is set, handset goes automatically in temperature control mode. Fan starts 4 minutes after gas opens (from OFF or pilot) at maximum speed then goes to displayed level after 10 seconds. Fan stops 10 minutes after gas is OFF or at pilot.



Setting Program Timers

You can program two periods of time between 12 am and 11:50 pm in each 24-hour cycle.

Programs P1 and P2 must be set in the following order during a 24-hour cycle: **P1** , **P1** , **P2** and **P2** .

= Day Time temperature (high) program period

= Night Time temperature (low) program period

Default Settings:

Program 1: **P1** 06:00 am **P1** 08:00 am

Program 2: **P2** 11:50 pm **P2** 11:50 pm

Press SET to scroll to **TIMER**.



If **P1** = **P1** or **P2** = **P2** , programming is cancelled.

To keep fireplace ON all night, set **P2** at 11:50 am and **P1** at 12:00 am.

If you want to program only one period, program **P1** and **P1** with desired times then **P2** and **P2** with the same time as **P1** .

Setting high / low Temperatures

Setting "DAYTIME" high temperature.

Default Settings: **TEMP** 23 °C/74 °F

Press SET to scroll to **TEMP**

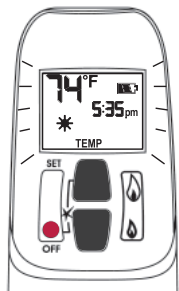
Hold SET button until TEMP flashes.

To set Daytime Temperature:

= increases temperature.

= decreases temperature.

Press or wait to complete setting.



Setting P1 time - high temperature.

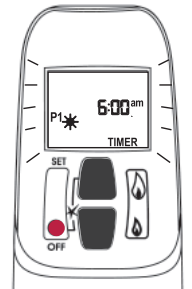
Hold SET button until **P1** is displayed and time flashes.

To set time:

= hour

= minutes

Press or wait to complete setting.



Setting "NIGHT TIME SETBACK" low temperature.

Default Settings: **TEMP** "--" (OFF)

Press SET to scroll to **TEMP**

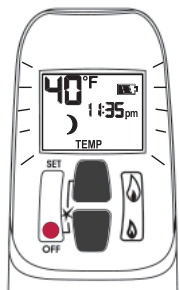
Hold SET button until TEMP flashes.

To set Night Time Temperature:

= increases temperature.

= decreases temperature.

Press or wait to complete setting.



Setting P1 time - low temperature.

Hold SET button until **P1** is displayed and time flashes.

To set time:

= hour

= minutes

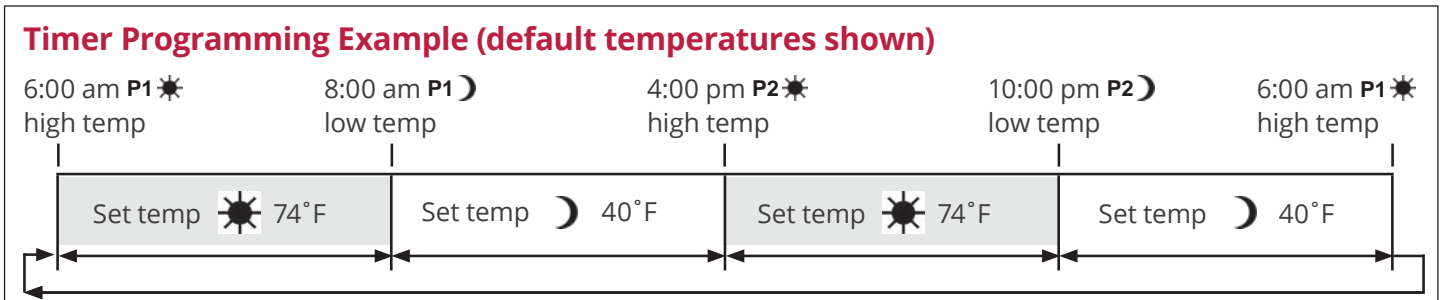
Press or wait to complete setting.

Appendix B - Remote Control Operation

Setting P2 high and low temperature times.

Repeat same steps as Setting P1.

When all settings are complete, press ● to save them.



Automatic Turn Down

8 Hour no Motor Movement

The valve will turn to pilot flame if there is no motor movement for an 8-hour period.

Automatic Shut-Off

Low Batteries Receiver. With low battery power in the battery holder the system shuts off the fire completely. This does not apply when the power supply is interrupted.

On-Demand Pilot (7 Day Shut-Off). This green feature eliminates gas energy consumption during extended appliance inactivity. When the appliance is inactive for an extended period of time the system automatically extinguishes the pilot. This feature helps the consumer realize cost benefits by automatically eliminating energy consumption during non-heating months and limited use.

The programmed length of inactivity to activate the system is specified by the appliance manufacturer and cannot be altered in the field.

Low Battery Indication

Handset: The battery icon  will show when the battery needs to be replaced. Replace with one 9 V **alkaline**

Caution

DO NOT USE a screwdriver or other metallic object to remove batteries from holder. This could cause a short-circuit.

battery.

Battery holder: Frequent 'beeps' for 3 seconds when the valve motor turns indicate the batteries need to be replaced in battery holder. Replace with four 1.5 V **alkaline** batteries.

Handset / Receiver Match

The remote control handset and receiver are programmed to function together. In case of a replacement of the handset or the receiver, you will need to reset the receiver to allow them to function together. Contact your dealer for details.


Appendix C - Wall Switch Operation

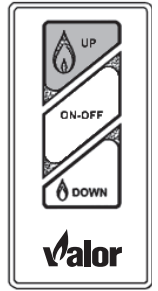
The Wall Switch can be used to control your fireplace. You can turn the pilot on or off and you can increase or decrease the flame height.

Note that the thermostat and programming functions are not available with the wall switch.



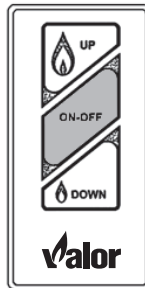
Adjusting Flame Height


Press and hold large flame  button to gradually increase flame height.

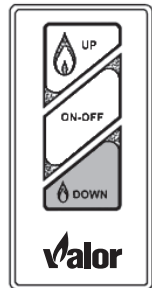


Turning Appliance ON and OFF

Press ON-OFF button once to light pilot. Press again to shut off pilot.



Press and hold small flame  button to gradually decrease flame height.



Appendix D - HeatShift System

HeatShift™ System

Planning and Installation: H3 with HeatShift®

For use with **1000K Valor Heaters ONLY** (not compatible with Series J)

Application

The HeatShift™ convection duct kit redistributes the warm air flow away from the fireplace to a position higher up the wall using natural convection, without the use of a fan.

The result is much cooler wall temperatures above the fireplace opening for locating televisions, artwork, etc.

Approvals

The LDK8 kit is CSA approved for use only with Valor Series fireplaces listed above—DO NOT use with any other models.

This HeatShift system may also be used to reduce wall surface temperatures on approved outdoor installations.

4-inch diameter duct used with this kit must be metal and meet requirements of UL-181 Class 1 Air Duct. Flexible aluminum duct is acceptable provided it meets the UL-181 Class 1 requirements.

NOTE

RC Backing Plates 1035BPB-RC, 1036BPB-RC or 1040BPB-RC are NOT compatible with HeatShift.



WARNING

When placing discharge close to ceilings, staining or streaking may occur on light colored ceilings due to any dust, etc. in air flow; placing plenum(s) lower on the wall will help reduce the possibility of staining or streaking.



WARNING

DO NOT cover or place objects in front of or on top of air outlet(s). AVOID locating outlet within 7 feet above floor level as discharge temperatures are hot!



WARNING

All fireplaces listed above require the removal of the internal convection baffle for this system to function properly—read instructions carefully!

Note:

The use of this kit will permit lower mantel clearances to be used—see “Mantel Clearances” in the *H3 Installation Manual*.

These lower mantel clearances must ONLY be used when the HeatShift system is installed and the internal convection baffle has been removed.

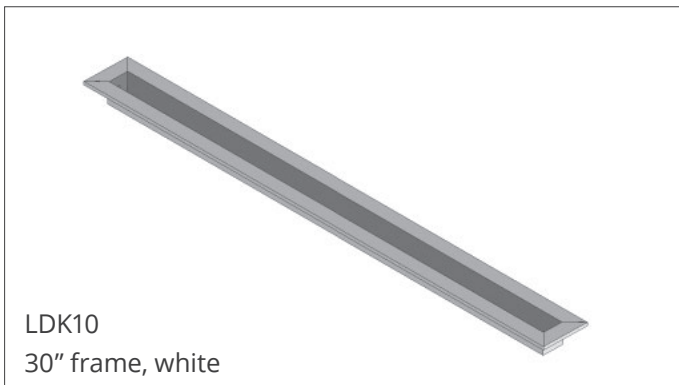
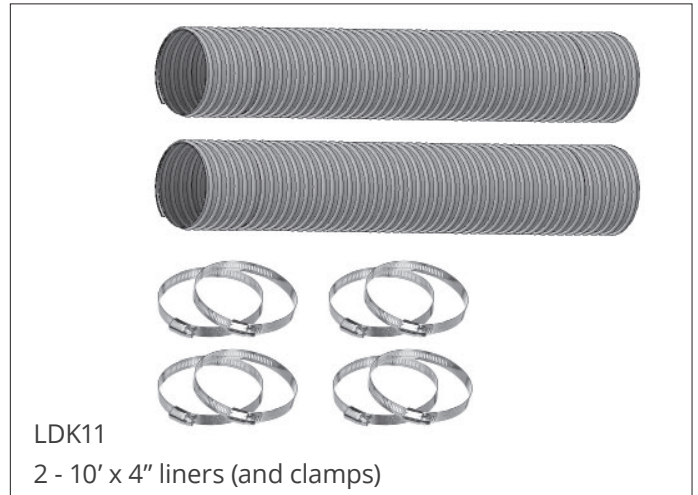
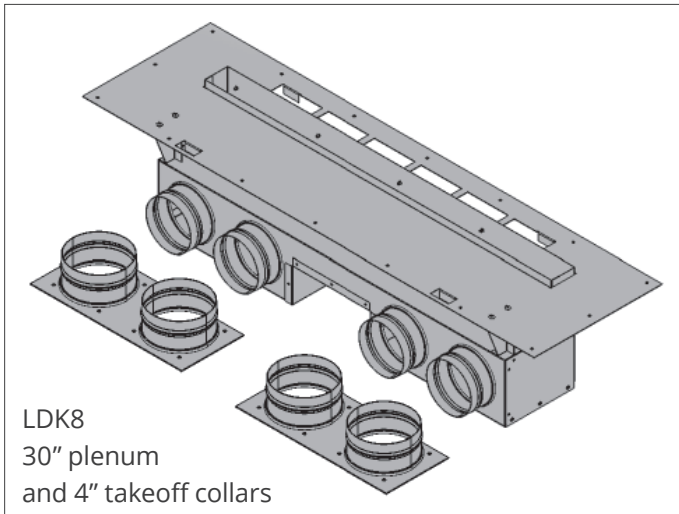
Appendix D - HeatShift System

Kits

The LDK8 HeatShift kit is required for use with the H3 fireplace if HeatShift is to be implemented.

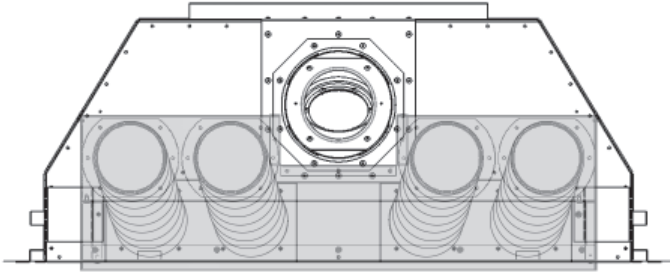
The LDK10 and LDK11 are optional accessories, but some approved liner and clamps are required. See "Approvals" on the previous page for size and ratings details.

- LDK8 - 30" HeatShift plenum and (2) dual collar plates (4" diameter)
- LDK10 - 30" finishing frame to use with LDK8
- LDK11 - (2) 10' lengths of 4" liner and (8) clamps



Appendix D - HeatShift System

Configuration H3 with LDK8



The LDK8 plenum is typically installed directly above the H3 unit, connected by the LDK11 (or approved 4") liners. It may be offset from center, or vented to the rear if desired.

Note: Coaxial vent can be routed vertically through the cutout in the HeatShift plenum. If the plenum must be offset to the rear, the vent must also be offset to accommodate.

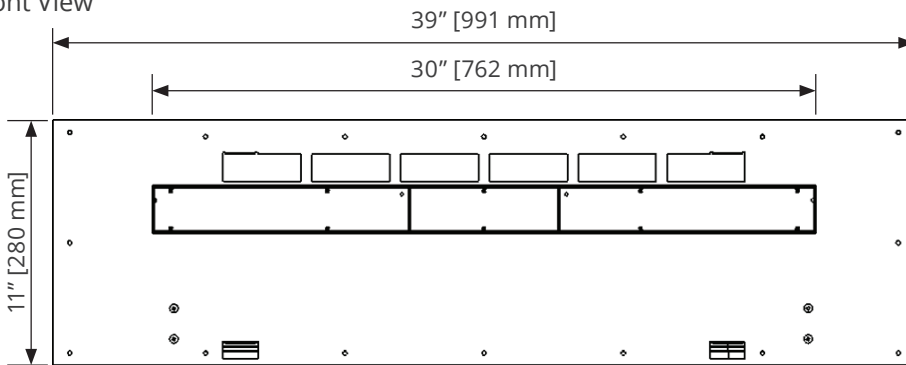
⚠ WARNING

The plenum duct kits are approved for horizontal discharge ONLY. DO NOT install plenum in floor or ceiling. DO NOT COVER OR PLACE objects in front of or on top of air outlet(s). AVOID locating outlet within 7 feet of the floor level as discharge air temperatures are hot!

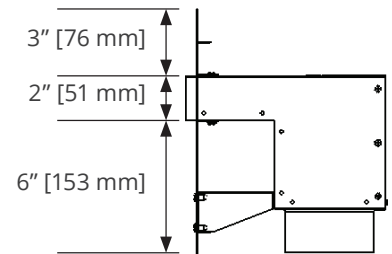
DO NOT DISCHARGE THROUGH EXTERIOR WALLS!

Dimensions

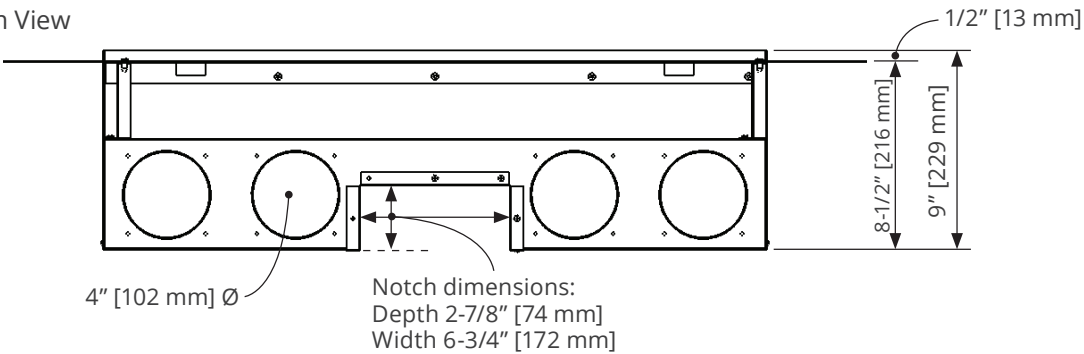
Front View



Side View

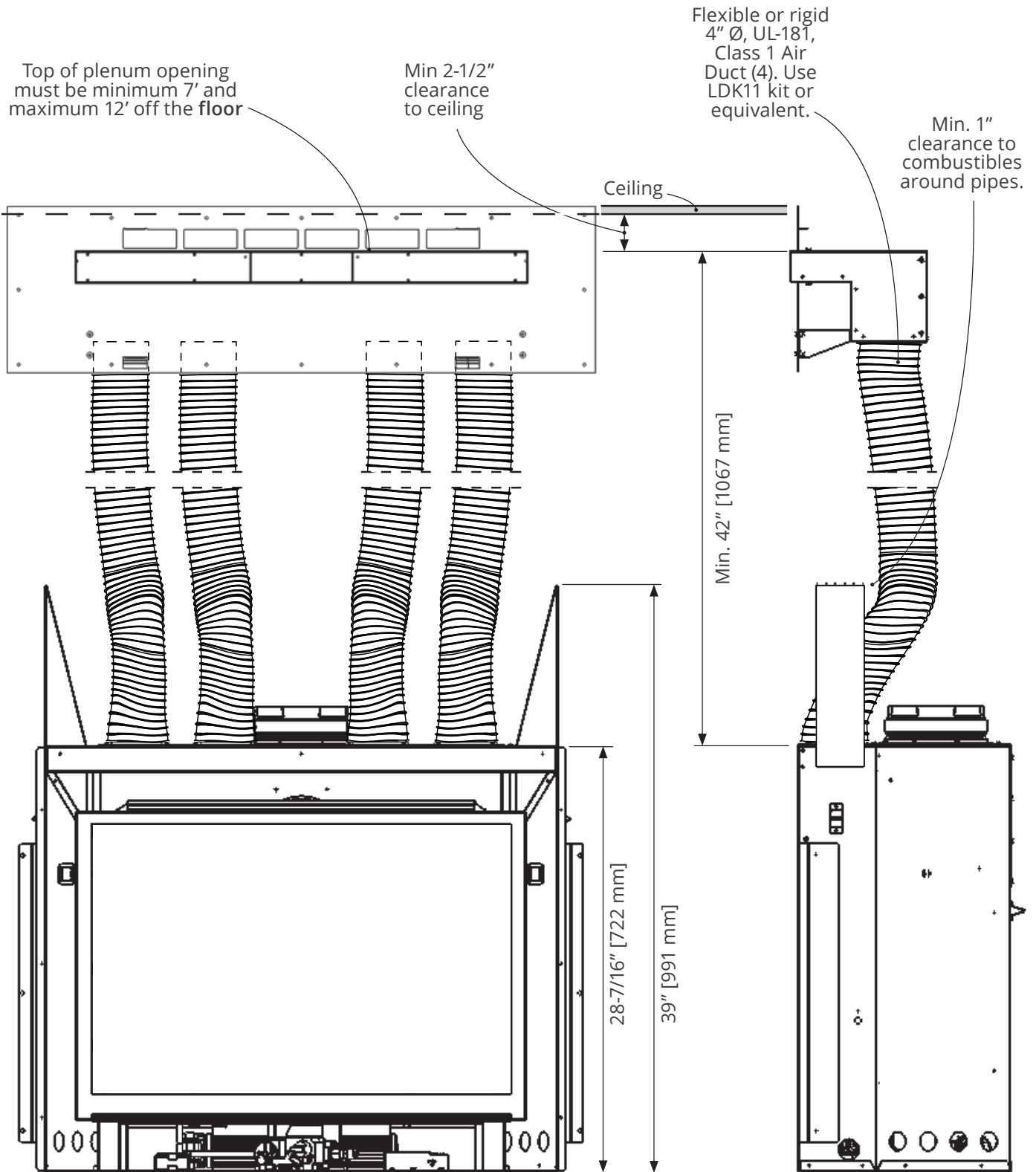


Bottom View



Appendix D - HeatShift System

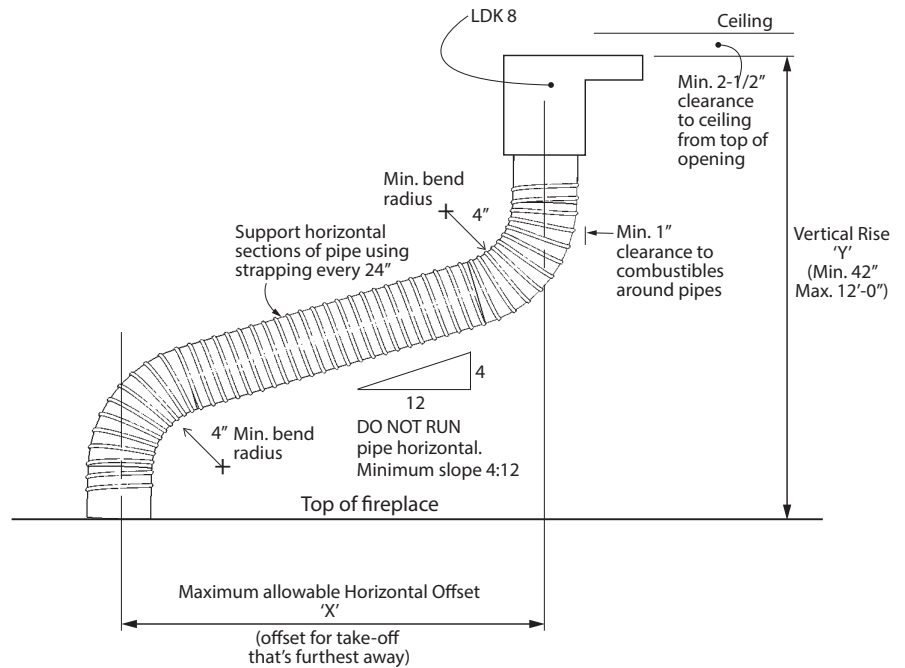
Overview - LDK8 Kit



Appendix D - HeatShift System

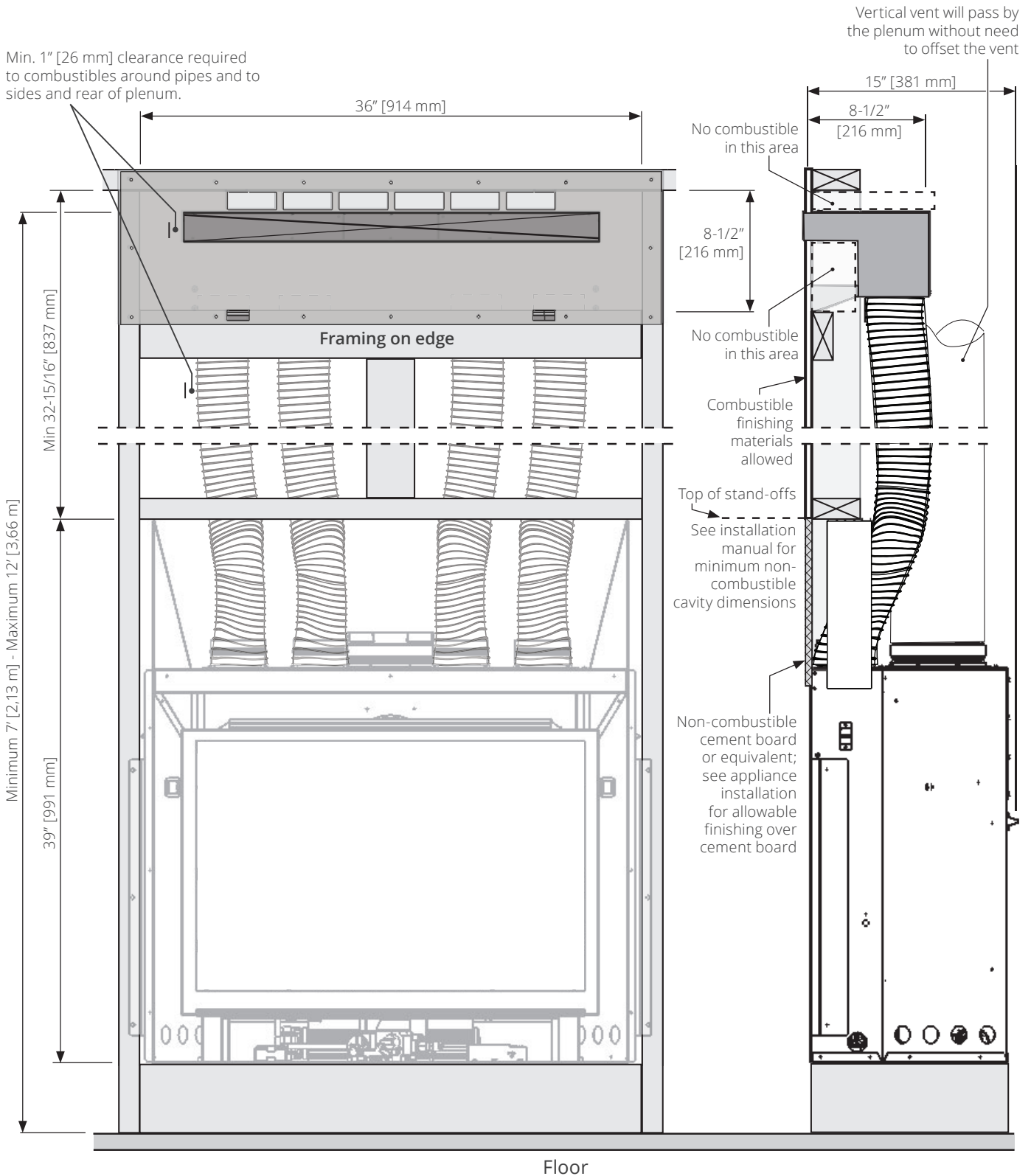
Allowable Rise and Offset

Y Vertical Rise	X Max. Allowable Horizontal Offset
42"	48"
48"	60"
54"	72"
60"	84"
66"	96"
12'-0"	96" Max.



Appendix D - HeatShift System

Typical Framing - LDK8 Kit



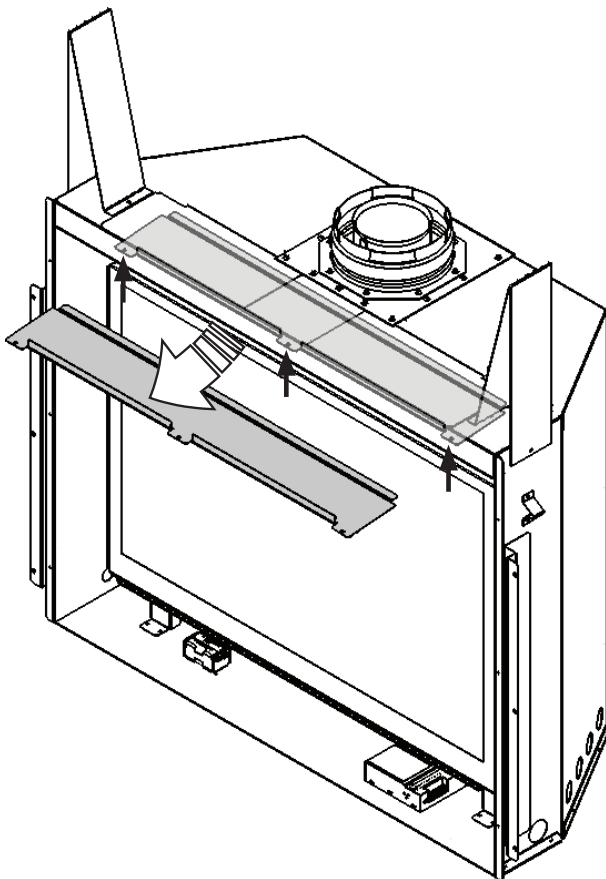
Appendix D - HeatShift System

Remove Convection Baffle

To be effective, the HeatShift system **requires** that an internal convection baffle located above the firebox inside the appliance case be removed to allow the hot air flow to convect upwards into ducts installed on the fireplace.

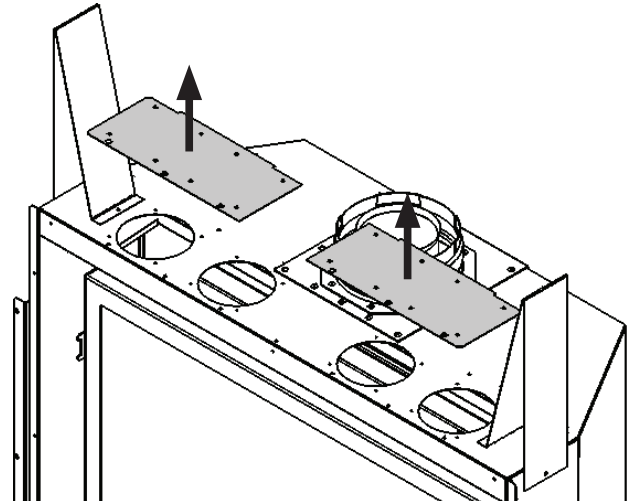
Remove the convection baffle from the appliance. It is held in place by 3 screws located right behind the upper edge of the fireplace opening. Recycle this panel as it is no longer needed.

Top of fireplace shown transparently for clarity.

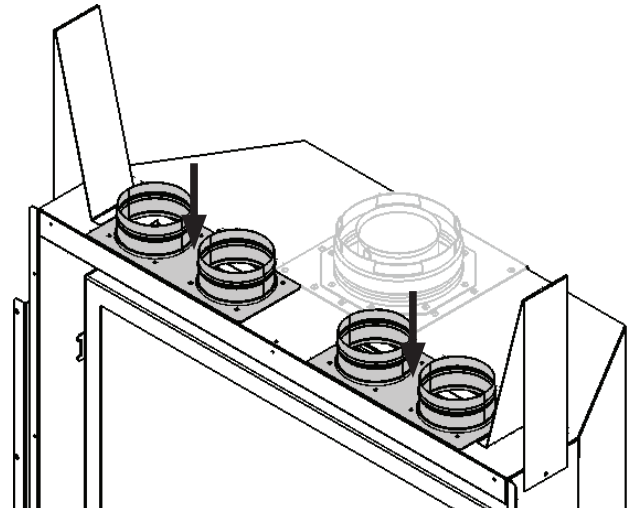


Install HeatShift Take-Off Collars

1. Remove the two cover plates on top of the appliance case (8 screws each).



2. Install the take-off collars on the holes on top of the appliance's case (8 screws each).



WARNING

The H3 fireplace **requires** the removal of the internal convection baffle for the HeatShift system to function properly—read instructions carefully!

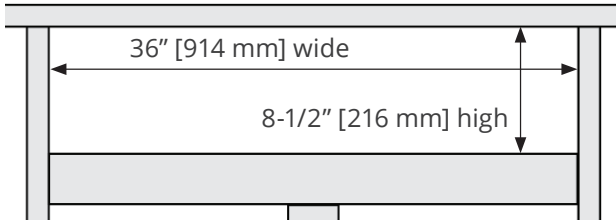
WARNING

All FOUR (4) takeoffs **MUST BE** CONNECTED TO PLENUM(S).

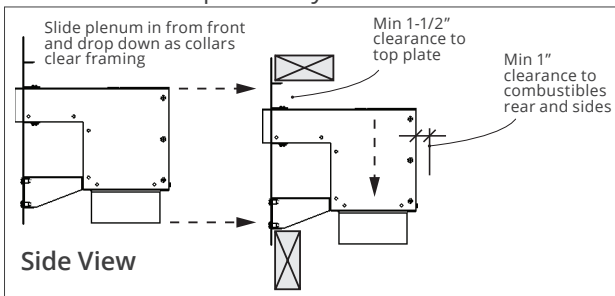
Appendix D - HeatShift System

Install Plenum Kit (LDK8)

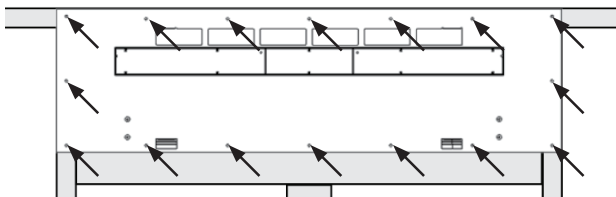
1. Frame a rough opening at the desired location—see earlier sections of this manual for detail.



2. Install the plenum into the front of the frame opening, maintaining minimum clearances to combustibles as previously listed.

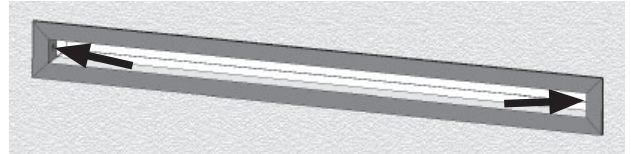


3. Fix the plenum to the front of the framing using screws through the faceplate (16 screws).



4. Attach one section of UL-181, Class 1 approved air duct to each of the collars and secure it with gear clamps provided. **DO NOT SPLICE DUCTS!**
5. Attach the top of the pipe sections to the plenum securing them with the gear clamps provided. An upward slope must be maintained in horizontal sections of pipes for proper convection (see *Allowable Rise and Offset* on page 74). Use straps as necessary to maintain the pipes positions. Support horizontal sections every 24 inches.

6. Paint the inside surfaces of the plenum using high-temperature flat black spray paint for installations where the inside of the plenums may be visible.
Note: The flanges of the white finishing frame (when used) will insert approximately 1-1/4" into the plenum covering the shiny sheet metal.
7. Install the LDK10 finishing frame to the plenum after the wall finish is completed.



Note: The frame/louvers are finished white but may be painted another color if desired; use high temperature paint (250°F). You may also finish up to the perimeter of the plenum opening with your material of choice and not use the frame or louver. Do not finish over any of the opening in the plenum outlet.

8. Continue with the fireplace installation.

Repair Parts List

	Description	Part no.
LDK8	30" Quad Hot Air Plenum Kit	
	30" x 2" quad plenum	4007873
	2x4" take-off collar plates (2)	4007864
LDK10	30" Outlet Frame Kit for LDK4	
	Aux Frame-SPL 30" x 2" white	4007951
LDK11	4" Aluminum 2-ply Flex Kit	
	4" dia 10' (uncompressed) aluminum chimney liners (2)	4007953
	2.5" - 4.5" ss gear clamps (8)	4007955

Each kit is sold separately.

Appendix E - Spare Parts

	Description	Part Number
1	Duravent intake collar	4000925
2	Intake collar gasket	4000942
3	Intake plate	4007050
4	Intake plate gasket	4007056
5	Top stand-offs (2)	4007051
6	HeatShift cover plate (2)	4007425
6a	Removable convection panel	4007426
7	Frame fixing bracket (2)	4007073
8	Restrictor plates (2)	4001222
9	Burner cover	4007134BY
10	Support bracket	4007479
11	Window assembly	4007052
12	Hot glass warning plate	4003093
13	Module plate assembly (natural gas)	4007141
	Module plate assembly (propane gas)	4007355
14	Burner with bracket	4007354
15	Burner mounts (2)	4007140
16	Anti-flashback shield	4007629
17	Air shutter (natural gas)	4007136
	Air shutter (propane gas)	4008699
18	Steel flat washer	4007461
19	Spring tension washer 10 mm	4007460
20	Injector elbow 82-750 (natural gas)	4000738
	Injector elbow 92-260 (propane gas)	9730007
21	Pilot assembly (natural gas)	4000727
	Pilot assembly (propane gas)	4000728
22	Thermocouple	4000061
23	Pilot injector #51 (natural gas)	4000735
	Pilot injector #30 (propane gas)	4000736
24	Pilot hood 2-flame (offset)	4000730
25	Pilot tube	4000732
26	Electrode, short	4001856
27	Nut for short electrode	4001855
28	Pilot bracket	4007142
28a	Pilot shield	4008555AH
29	Pilot sealing plate	4002910
30	Burner module plate	4007074
31	Gasket module plate, rear	4007139
32	Gaskets module plate, RH	4007138
33	Gasket module plate, front	4003924
34	Gaskets module plate, LH	4007137
36	Gasket injector pipe	620C016
37	Link bracket	4007289
38	Aeration lever	4007288
39	Valve to injector pipe assembly	4007261

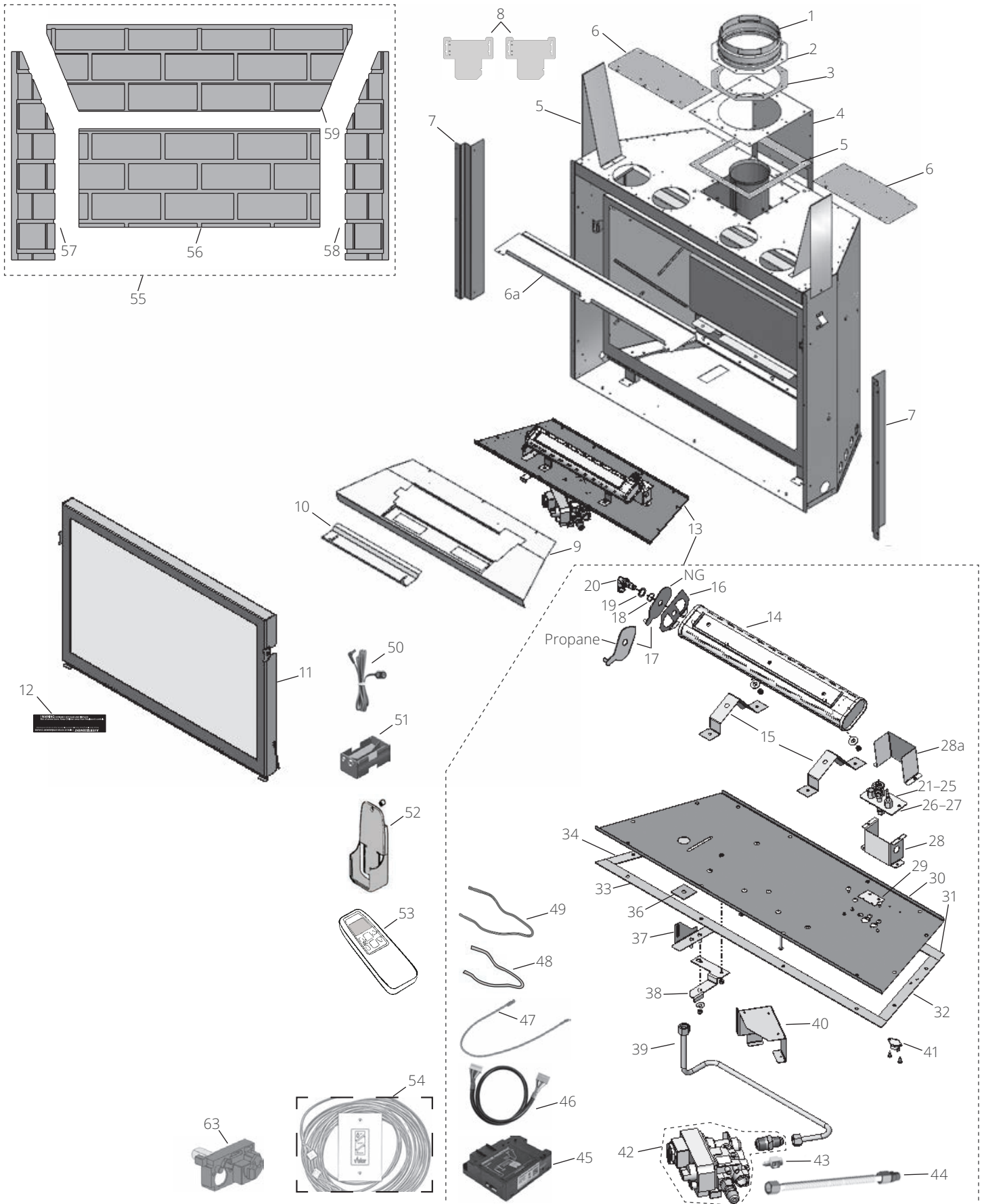
	Description	Part Number	
40	Valve mount	4003956	
41	Thermal switch 175C	4007633-175C	
42	GV60 valve assembly 1000 (natural gas)	4007383X	
	GV60 valve assembly 1000 (propane gas)	4007384X	
43	Thermocurrent interrupter	4001037	
44	Pipe s/s flex	4000345	
45	Receiver MAX	4002422	
46	Wire harness GV60	4001187	
47	Yellow cable to interruptor	4002096	
48	Ignition cable sleeve 530 mm	4002244	
49	Ignition cable 500 mm	4001039	
50	Battery box cable 1500 mm	4006552	
51	Battery holder	4006553	
52	Handset wall holder	9000008	
53	Remote Handset MAX	4002251	
54	Touch control wall switch	4001487	
55	Liner panels - complete sets		
	Valor Red Brick Liners	1010VRL	
	Ledgestone Liners	1015LSL	
	Fluted Black Liners	1025FBL	
	Plain Black Liners	1060PBL	
	Charcoal Brick Liners	1065CBL	
	Reflective Glass Liners	1070RGL	
	Clipping brackets (4)	4004981	
	Herringbone Liners	1075HBL	
	56	Rear panel	
	Valor Red Brick	4007183	
	Ledgestone	4007417	
	Fluted Black	4007200	
	Plain Black	4007187	
	Charcoal Brick	4007405	
	Reflective Glass	4007205	
	Filler panel, rear	4007201	
	Herringbone	4007422	
57	LH side panel		
		Valor Red Brick	4007182
		Ledgestone	4007416
		Fluted Black	4007198
		Plain Black	4007186
		Charcoal Brick	4007407
		Reflective Glass	4007203
		Filler panel, side	4007202
	Herringbone	4007421	

Appendix E - Spare Parts

	Description	Part Number
58	RH side panel	
	Valor Red Brick	4007181
	Ledgestone	4007415
	Fluted Black	4007199
	Plain Black	4007185
	Charcoal Brick	4007406
	Reflective Glass	4007204
	Filler panel, side	4007202
	Herringbone	4007420
59	Top panel	
	Valor Red Brick	4007184
	Ledgestone	4007418
	Fluted Black	4007188
	Plain Black	4007188
	Charcoal Brick	4007408
	Reflective Glass	4007188
	Herringbone	4007423
60	Birch Log Set	1000BLKV2
	Log no. H1	4007463
	Log no. H2	4007464
	Log no. G3	4008161
	Log no. G4	4008162
	Log no. G5	4008163
	Log no. H13	4008903
	Log no. H7	4007469
	Log no. H9	4007471
	Log no. H10	4007472
	Log no. H11	4007473
	Embers—2 cup bag	4008304
61	Driftwood Log Set	1000DWKV2
	Log no. H15	4007494
	Log no. H36	4008618
	Log no. H17	4007496
	Log no. G4	4008162
	Log no. H22	4008904
	Log no. G15	4008305
	Log no. H20	4007499
	Log no. H21	4007500
	Pebbles (3)	4008173
	Embers— 2 cup bag	4008304
	Cover panel	4007895

	Description	Part Number
62	Traditional Log Set	1000LSKV2
	Log no. H32	4008905
	Log no. H33	4008906
	Log no. H34	4008617
	Log no. G4	4008162
	Log no. G10	4008168
	Log no. H28	4007505
	Log no. G16	4008306
	Log no. H31	4007508
	Log no. H10	4007472
	Log no. H11	4007473
	Embers—2 cup bag	4008304
63	GV60 Valve Repair Kit	4004544

Appendix E - Spare Parts



Appendix E - Spare Parts

